

US00D833677S

(12) **United States Design Patent**
Forti et al.

(10) **Patent No.:** **US D833,677 S**
(45) **Date of Patent:** **** Nov. 13, 2018**

(54) **RAZOR COMPONENT**

(71) Applicant: **The Gillette Company LLC**, Boston, MA (US)

(72) Inventors: **Alexander Stephen Forti**, Dedham, MA (US); **Robert Harold Johnson**, Hingham, MA (US); **Hong Lu**, Newton, MA (US); **Vanessa Christie**, Boston, MA (US); **Thomas Anthony Gernetzke**, Beverly, MA (US); **Michael David Tinstman**, Malden, MA (US); **Benjamin Andrew Bangser**, Los Angeles, CA (US)

(73) Assignee: **The Gillette Company LLC**, Boston, MA (US)

(**) Term: **15 Years**

(21) Appl. No.: **29/601,440**

(22) Filed: **Apr. 21, 2017**

(51) **LOC (11) Cl.** **28-03**

(52) **U.S. Cl.**
USPC **D28/47**

(58) **Field of Classification Search**
USPC D28/44, 45-48
CPC B26B 21/54-21/60; B26B 21/00-21/06; B26B 21/08-21/125; B26B 21/14-21/20; B26B 21/22-21/24; B26B 21/28; B26B 21/30-21/32; B26B 21/34-21/38; B26B 21/40-21/4031; B26B 21/4043; B26B 21/4062; B26B 21/4068-21/4075; B26B 21/44-21/443; B26B 21/52-21/528

See application file for complete search history.

(56) **References Cited**

U.S. PATENT DOCUMENTS

D607,149 S * 12/2009 Psimadas D28/47
D619,763 S * 7/2010 Coresh D28/48

D650,944 S * 12/2011 Micinilio D28/47
D650,945 S * 12/2011 Micinilio D28/47
D662,662 S * 6/2012 Rumsey D28/48
D675,048 S * 1/2013 Coresh D6/524
8,590,162 B2 * 11/2013 Park B26B 21/225
30/50
D700,742 S * 3/2014 Micinilio D28/47
9,469,038 B2 * 10/2016 Iaccarino B26B 21/521
D775,422 S * 12/2016 Faktorovich D28/46
D776,876 S * 1/2017 Coviello D28/48
D783,900 S * 4/2017 Coviello D28/48
9,844,887 B2 * 12/2017 Griffin B26B 21/521
2017/0264036 A1 * 9/2017 Broemse H01R 12/732
2018/0043556 A1 * 2/2018 Lu B26B 21/521
2018/0043560 A1 * 2/2018 Lu B26B 21/528

* cited by examiner

Primary Examiner — Jennifer Rivard

(74) *Attorney, Agent, or Firm* — Joanne N. Pappas; Kevin C. Johnson

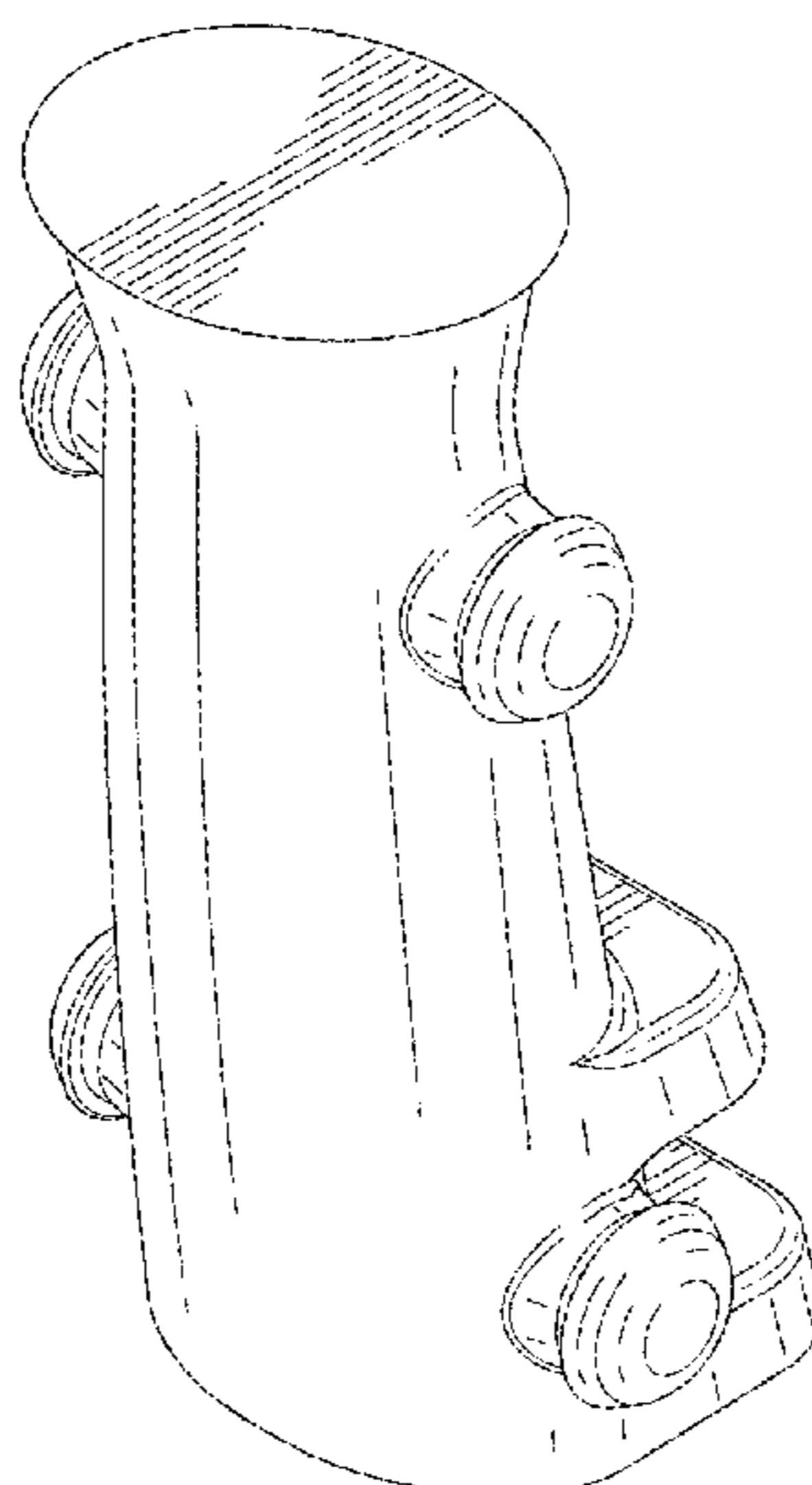
(57) **CLAIM**

We claim the ornamental design for a razor component, as shown and described.

DESCRIPTION

FIG. 1 is a front perspective view of a razor component of the present invention;
FIG. 2 is a front view of the razor component of FIG. 1;
FIG. 3 is a back view of the razor component of FIG. 1;
FIG. 4 is a right side view of the razor component of FIG. 1;
FIG. 5 is a left side view of the razor component of FIG. 1;
FIG. 6 is a top view of the razor component of FIG. 1;
FIG. 7 is a bottom view of the razor component of FIG. 1; and,
FIG. 8 is a rear perspective of a razor component of FIG. 1.

1 Claim, 4 Drawing Sheets



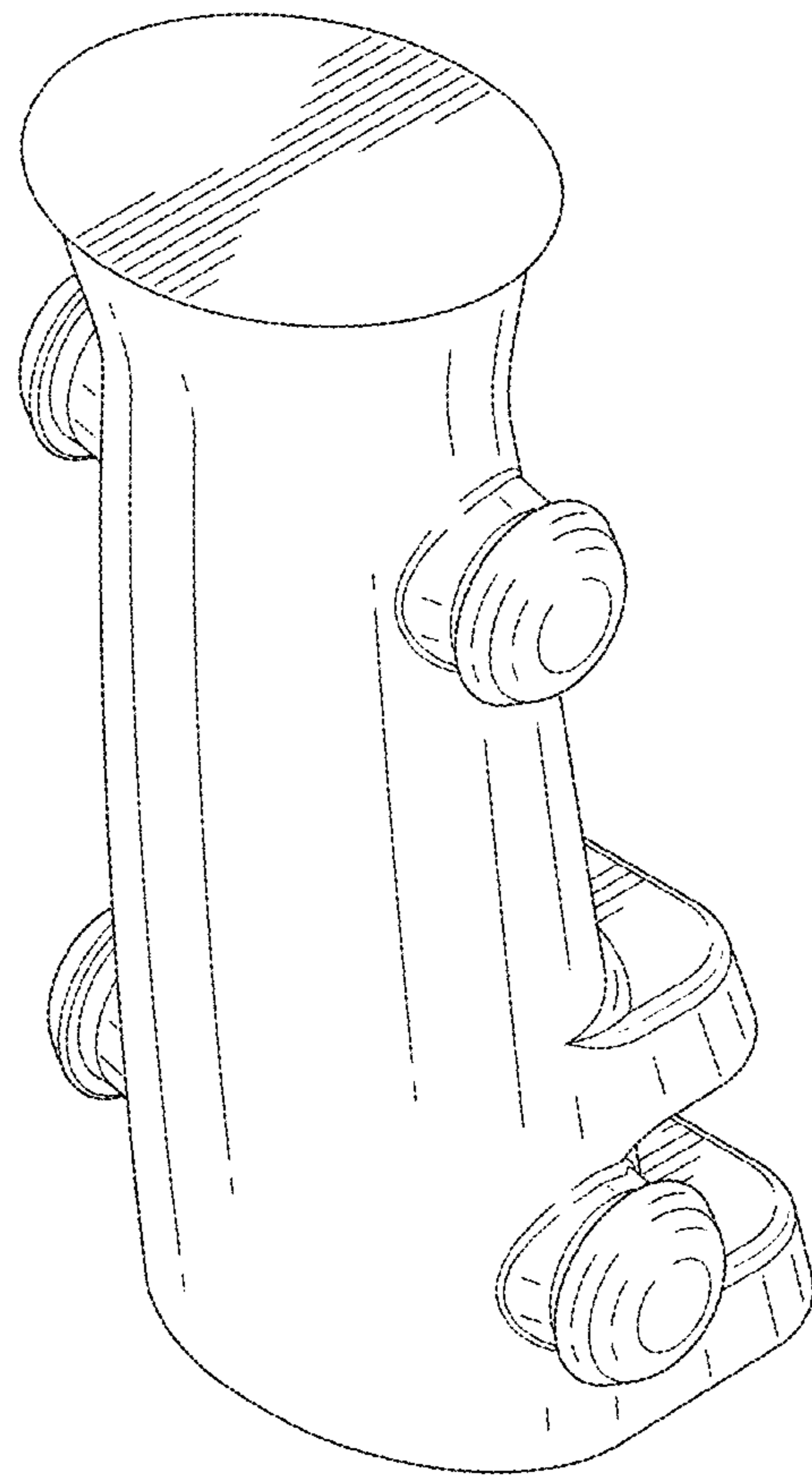


FIG. 1

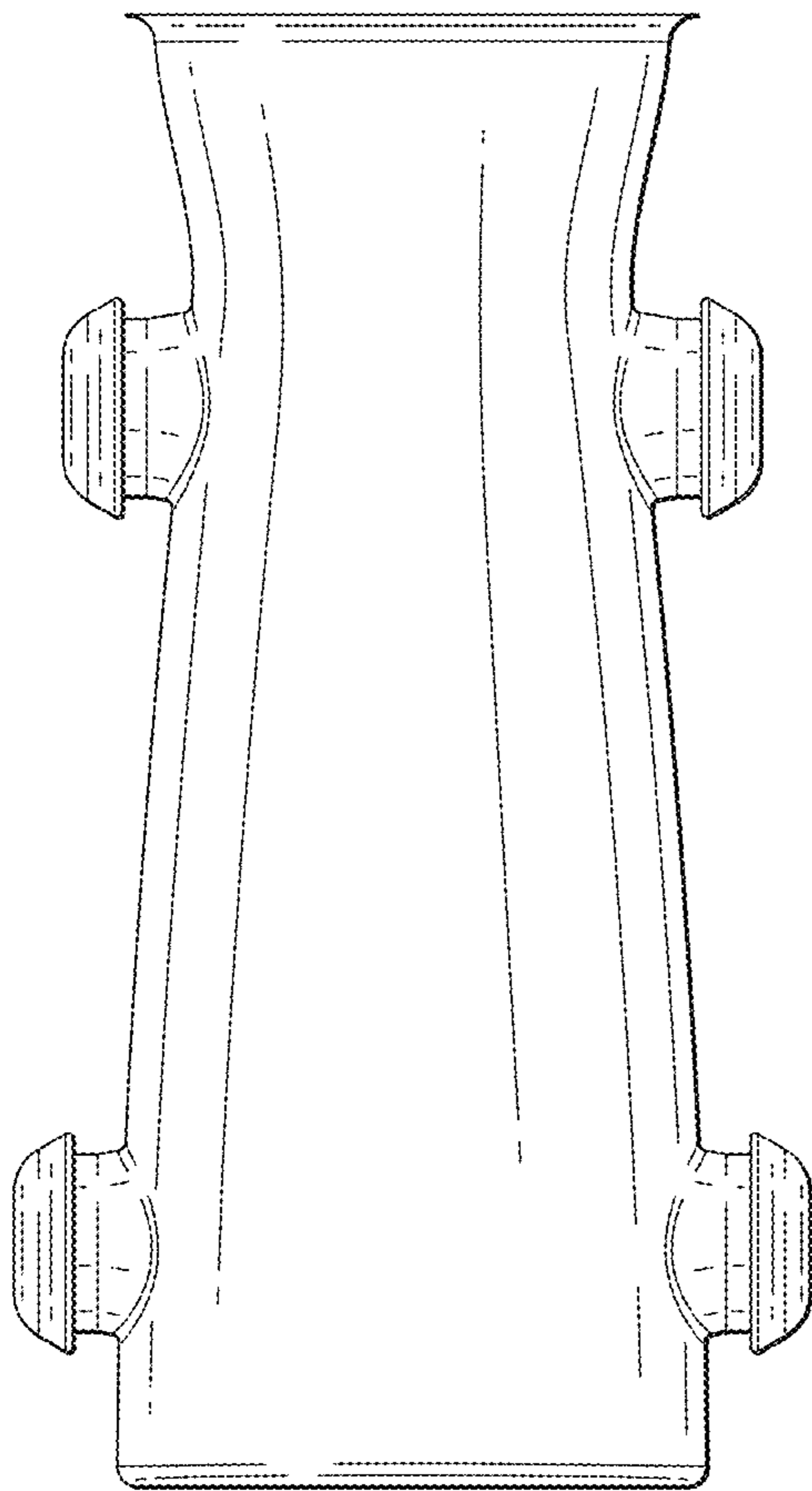


FIG. 2

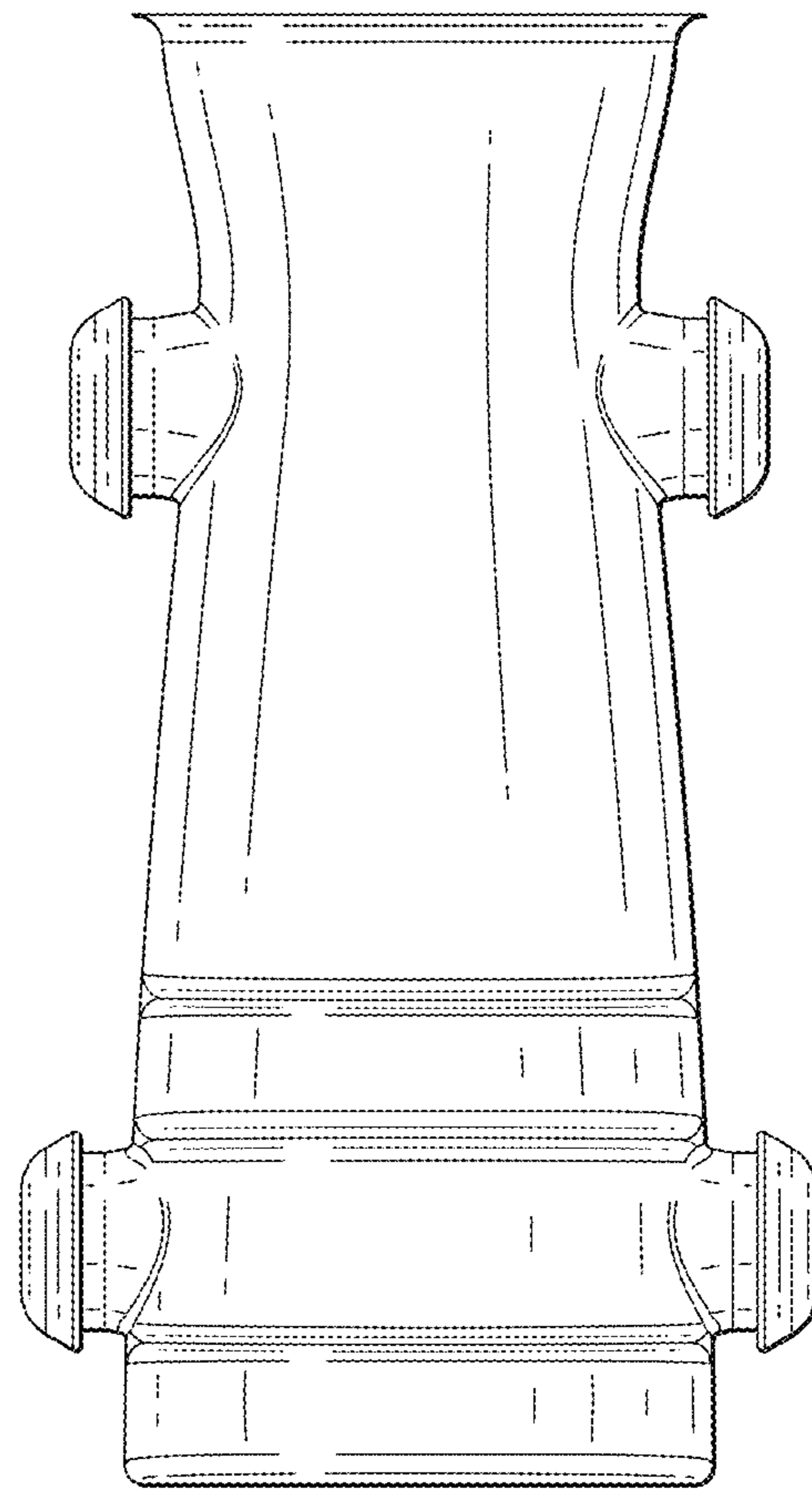


FIG. 3

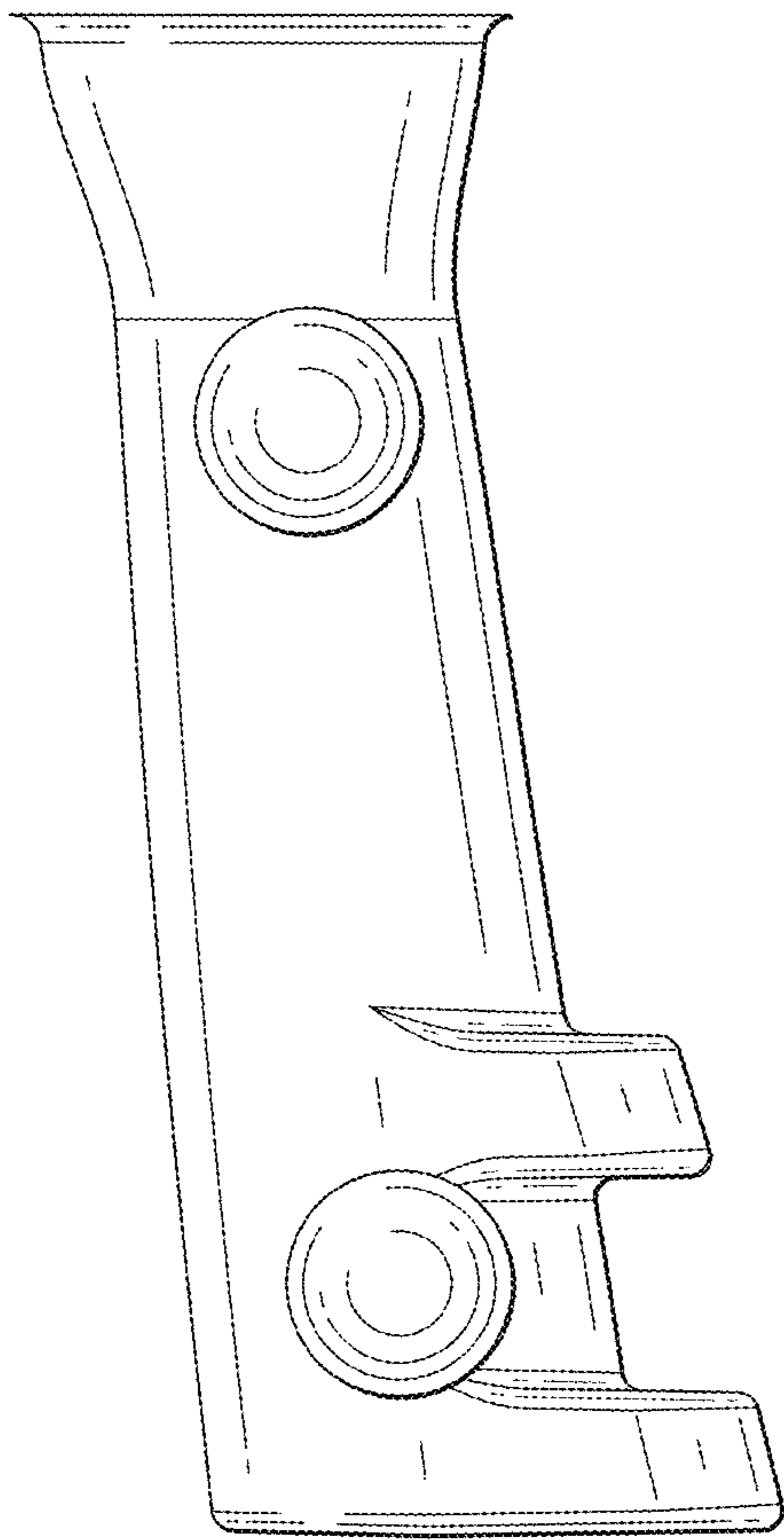


FIG. 4

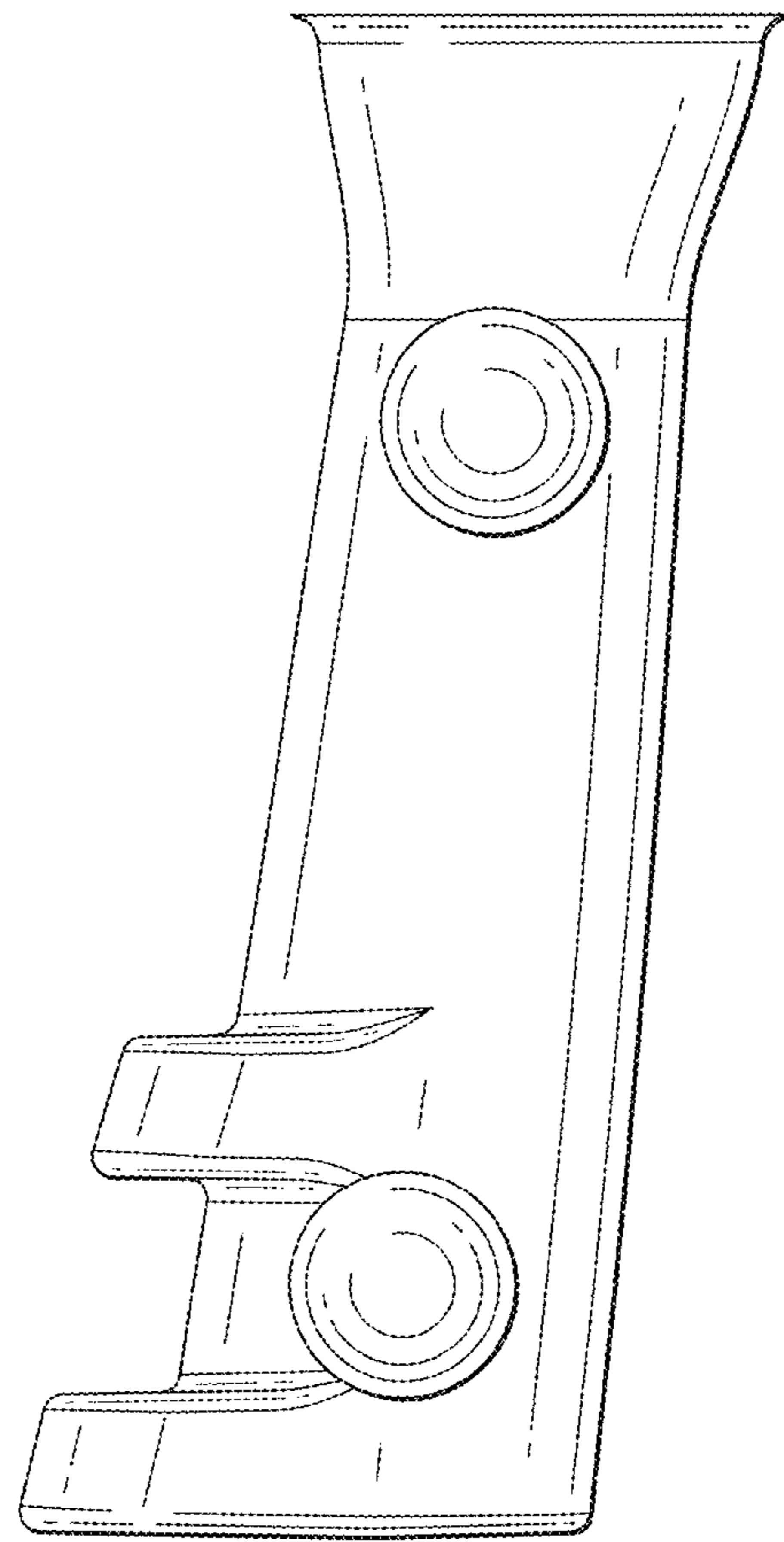


FIG. 5

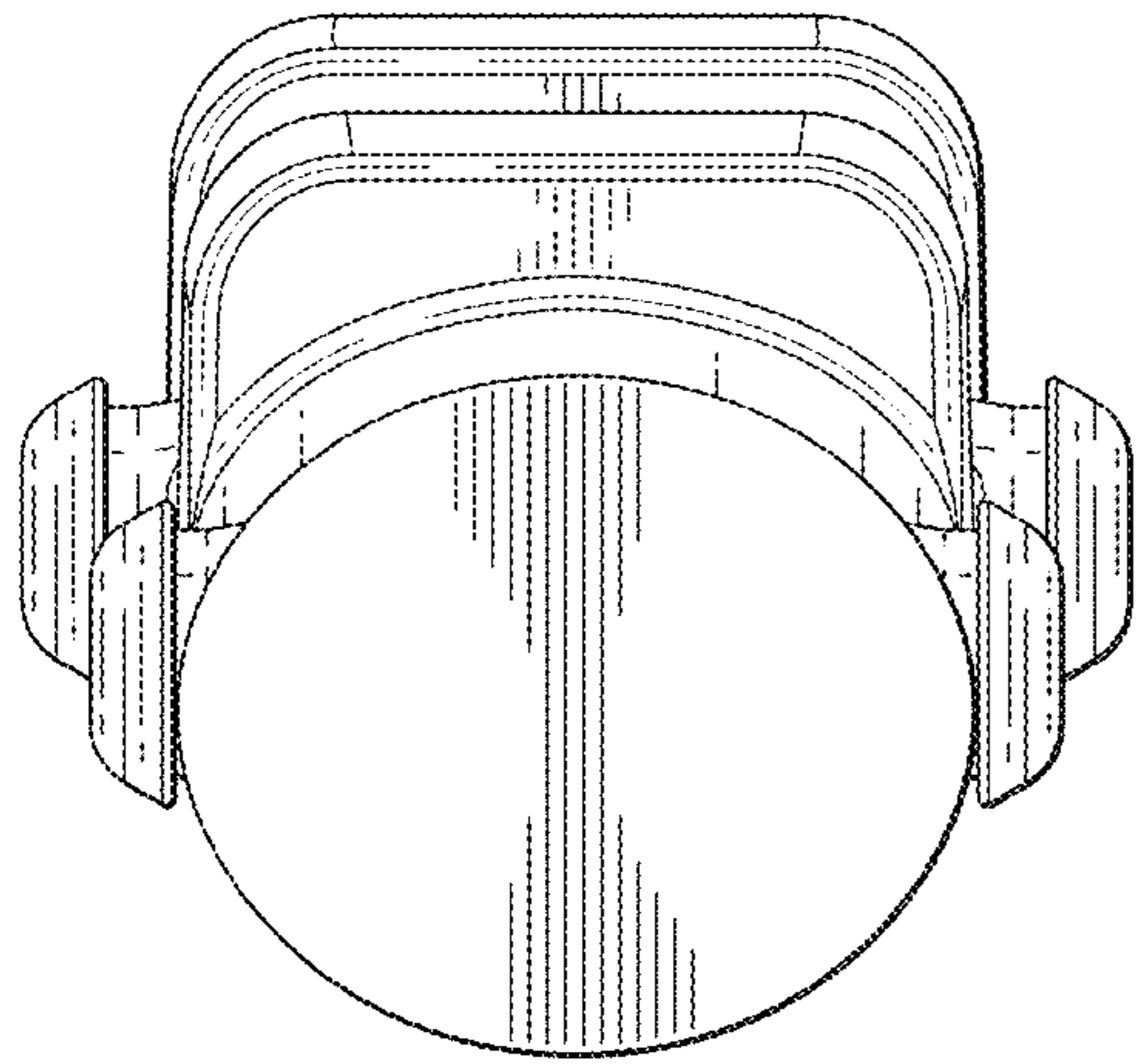


FIG. 6

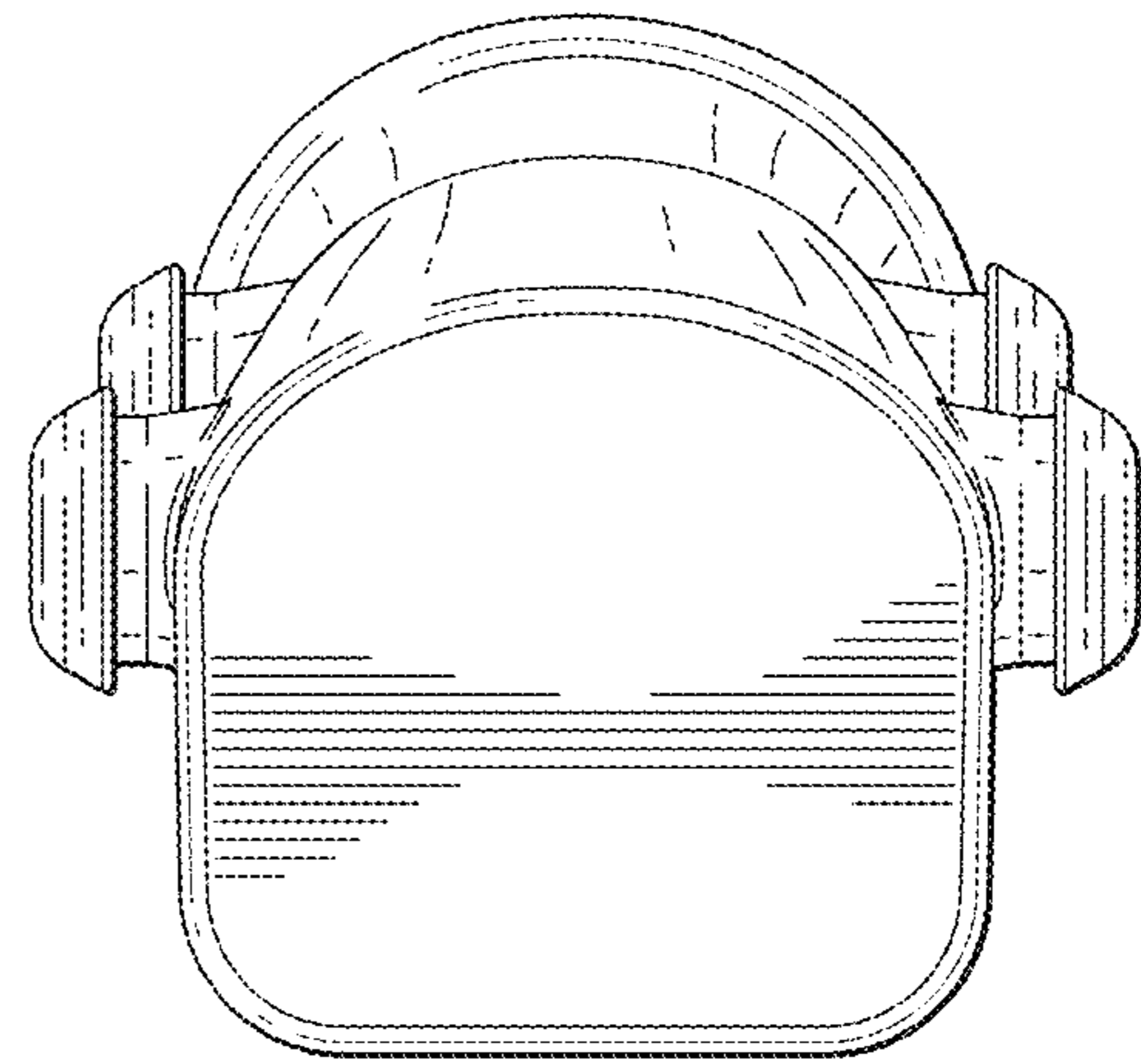


FIG. 7

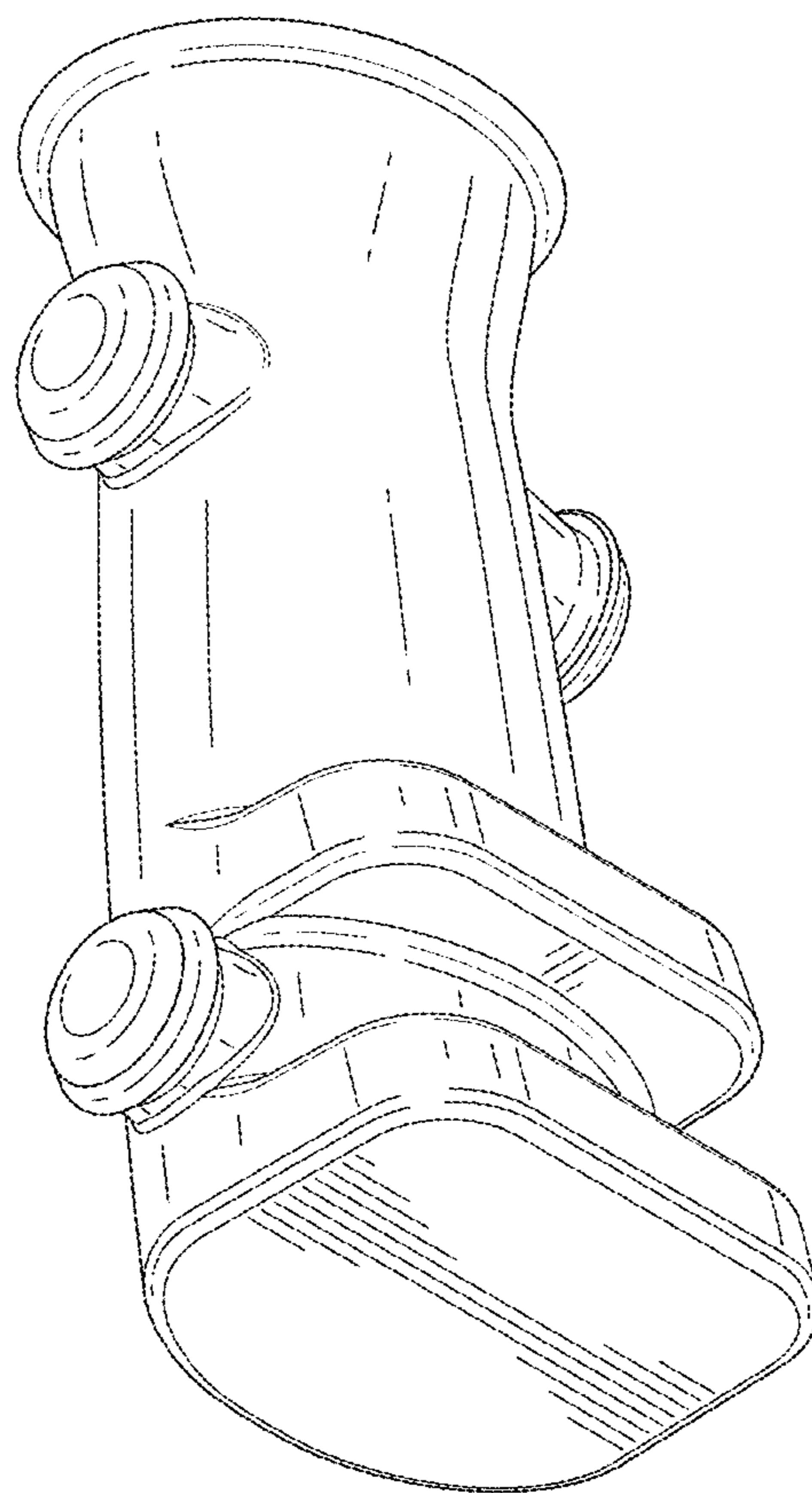


FIG. 8