



US00D833676S

(12) **United States Design Patent** (10) **Patent No.:** **US D833,676 S**
Lee et al. (45) **Date of Patent:** **** Nov. 13, 2018**

(54) **HAIR CURLER**

(71) Applicant: **KONINKLIJKE PHILIPS N.V.**,
Eindhoven (NL)

(72) Inventors: **Hyelin Lee**, Amsterdam (NL); **Suzette Van Maanen**, Utrecht (NL)

(73) Assignee: **KONINKLIJKE PHILIPS N.V.**,
Eindhoven (NL)

(**) Term: **15 Years**

(21) Appl. No.: **35/502,618**

(22) Filed: **Sep. 12, 2016**

(80) **Hague Agreement Data**

Int. Filing Date: **Sep. 12, 2016**
Int. Reg. No.: **DM/092788**
Int. Reg. Date: **Sep. 12, 2016**
Int. Reg. Pub. Date: **Mar. 17, 2017**

(30) **Foreign Application Priority Data**

Apr. 5, 2016 (EM) 003055490-0001
Apr. 5, 2016 (EM) 003055490-0002
Apr. 5, 2016 (EM) 003055490-0003
Apr. 5, 2016 (EM) 003055490-0004
Apr. 5, 2016 (EM) 003055490-0005

(51) **LOC (11) Cl.** **28-03**

(52) **U.S. Cl.**
USPC **D28/35**

(58) **Field of Classification Search**
USPC D28/10, 35
CPC ... A45D 1/00-1/28; A45D 2/00-2/002; A45D
2/36-2/367; A45D 4/00-4/18
See application file for complete search history.

(56) **References Cited**

U.S. PATENT DOCUMENTS

D366,345 S * 1/1996 Valente D28/35
D491,309 S * 6/2004 McCambridge D28/35

D534,683 S * 1/2007 Rizzuto, Jr. D28/35
D596,792 S * 7/2009 Kwok D28/35
D618,394 S * 6/2010 Keong D28/35
D629,563 S * 12/2010 Mau D28/35
D672,501 S * 12/2012 Kim D28/35

(Continued)

Primary Examiner — Zenia I Bennett

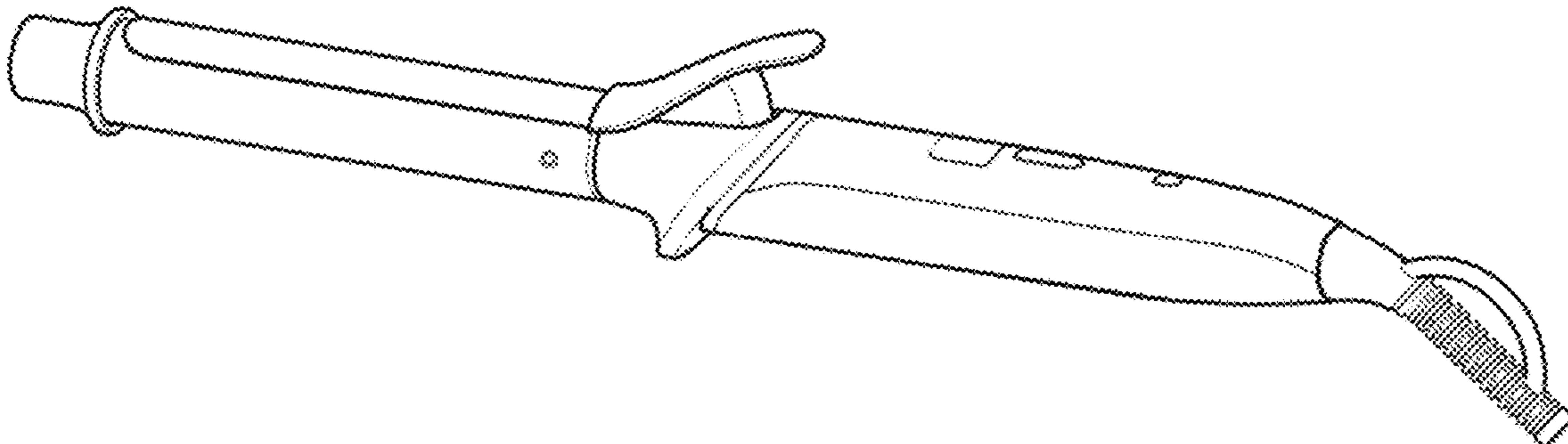
(57) **CLAIM**

The ornamental design for a hair curler, as shown and described.

DESCRIPTION

1. Hair curler
1.1 is a perspective view showing the hair curler of our design;
1.2 is a front elevational view thereof;
1.3 is a rear elevational view thereof;
1.4 is a left side elevational view thereof;
1.5 is a right side elevational view thereof;
1.6 is a top plan view thereof; and
1.7 is a bottom plan view thereof;
2. Hair curler
2.3 is a perspective view showing the hair curler of our design;
2.2 is a front elevational view thereof;
2.3 is a rear elevational view thereof;
2.4 is a left side elevational view thereof;
2.5 is a right side elevational view thereof;
2.6 is a top plan view thereof; and
2.7 is a bottom plan view thereof; and
3. Hair curler
3.1 is a perspective view showing the hair curler of our design;
3.2 is a front elevational view thereof;
3.3 is a rear elevational view thereof;
3.4 is a left side elevational view thereof;
3.5 is a right side elevational view thereof;
3.6 is a top plan view thereof; and
3.7 is a bottom plan view thereof.

1 Claim, 21 Drawing Sheets



(56)

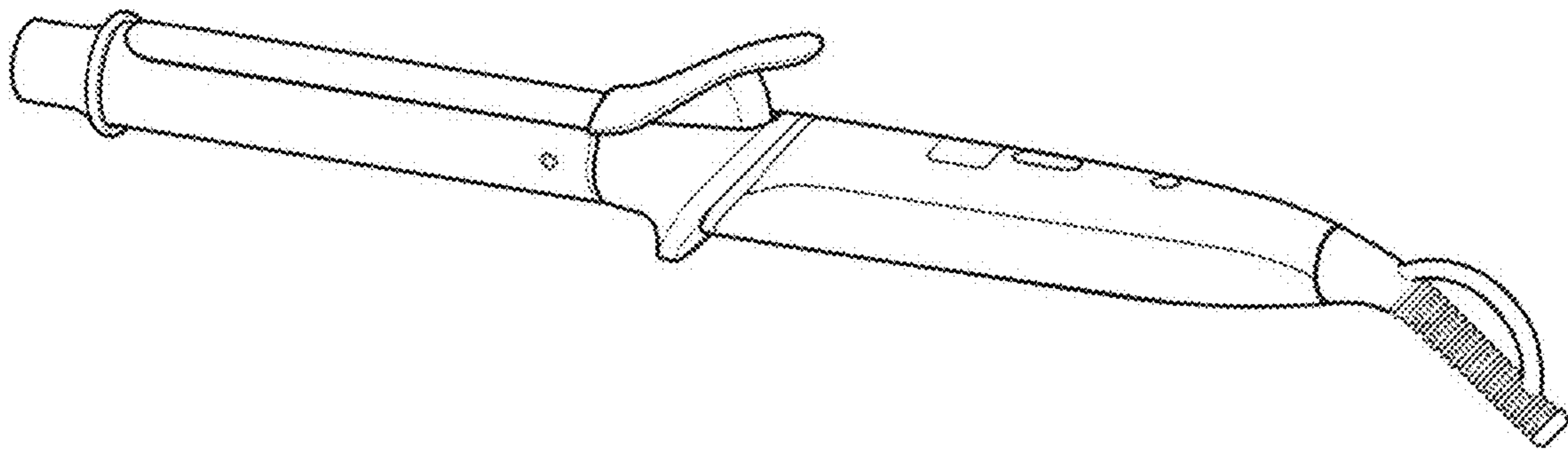
References Cited

U.S. PATENT DOCUMENTS

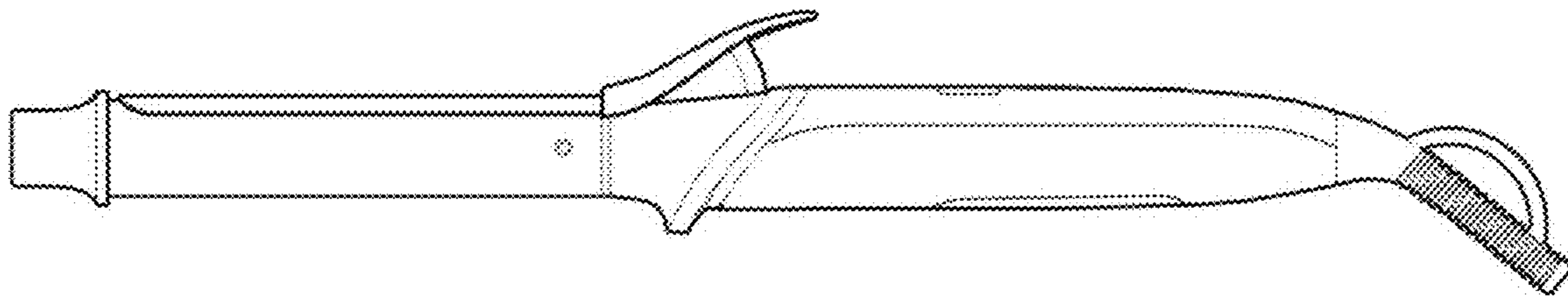
D698,487 S *	1/2014	Byun	D28/35
D698,489 S *	1/2014	Byun	D28/35
D726,961 S *	4/2015	Sayers	D28/35
D726,962 S *	4/2015	Sayers	D28/35
D748,331 S *	1/2016	Prats	D28/35
D779,728 S *	2/2017	Bermudez	D28/35
D785,243 S *	4/2017	Zhang	D28/35
D786,506 S *	5/2017	Ceva	D28/35

* cited by examiner

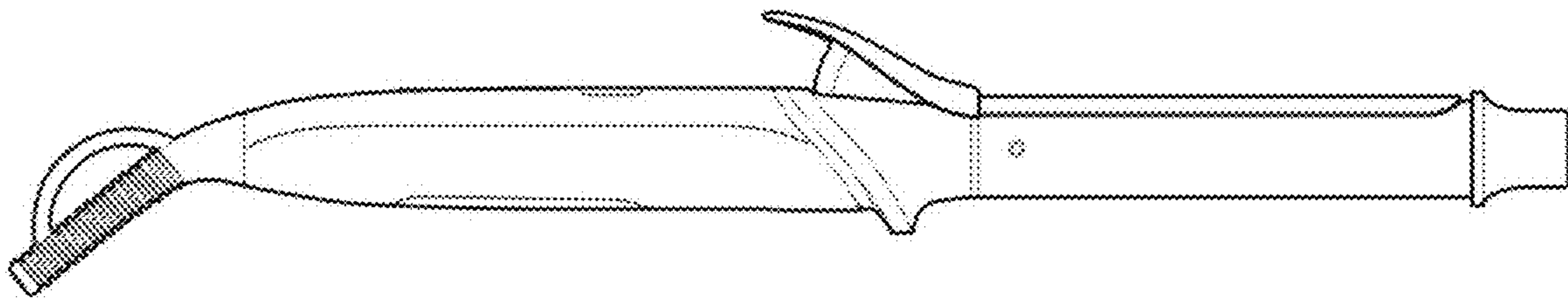
1.1



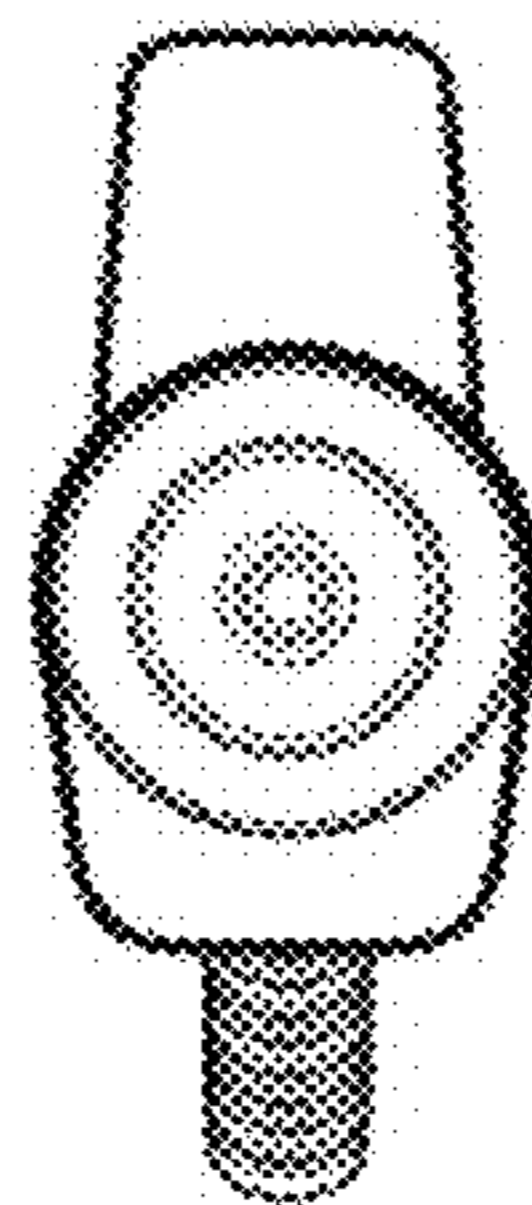
1.2



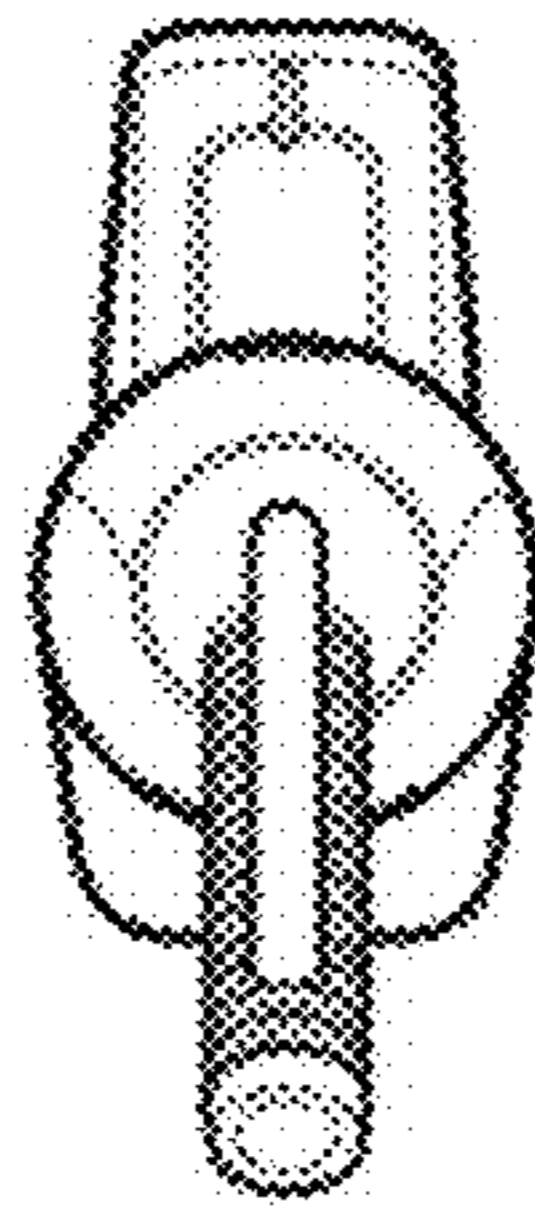
1.3



1.4



1.5



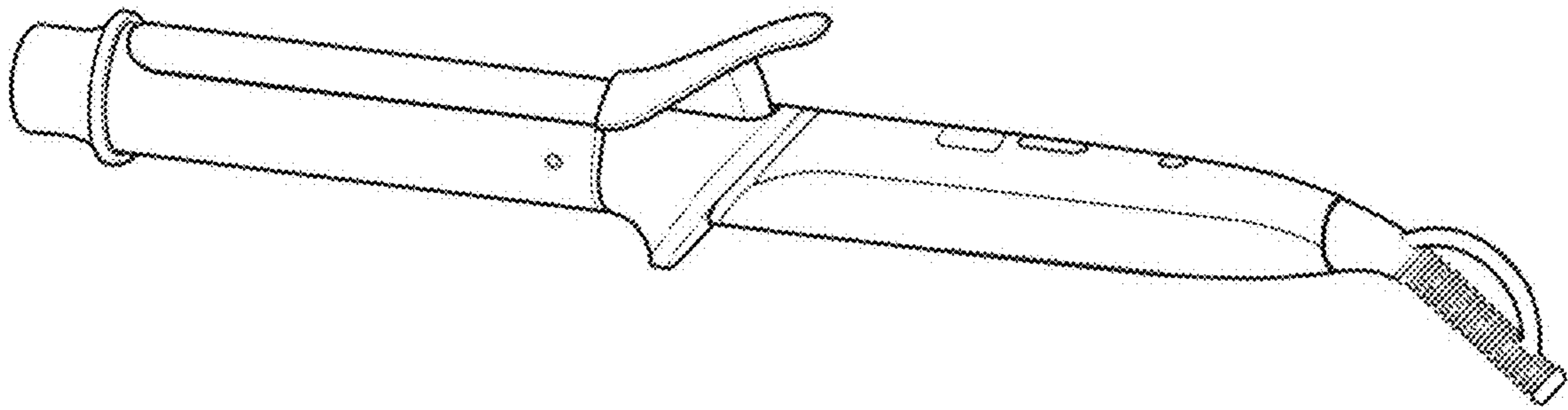
1.6



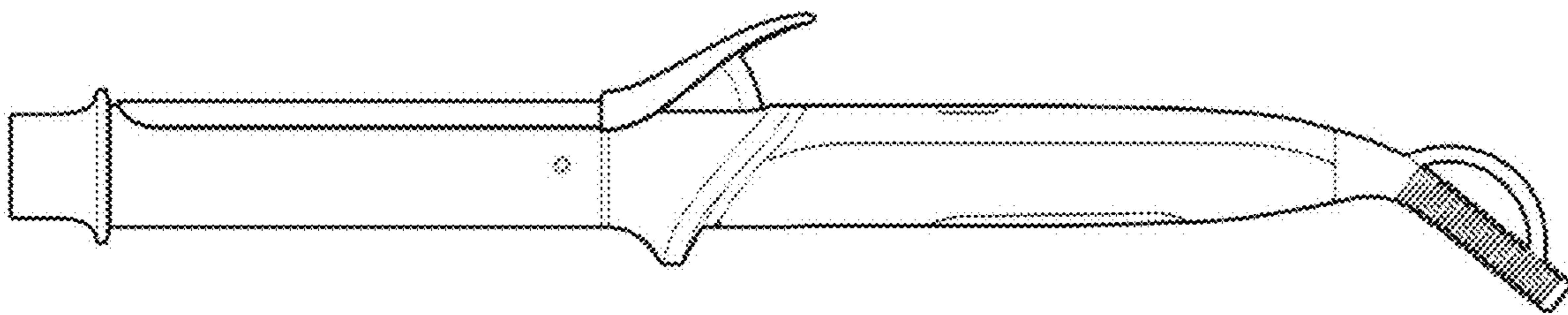
1.7



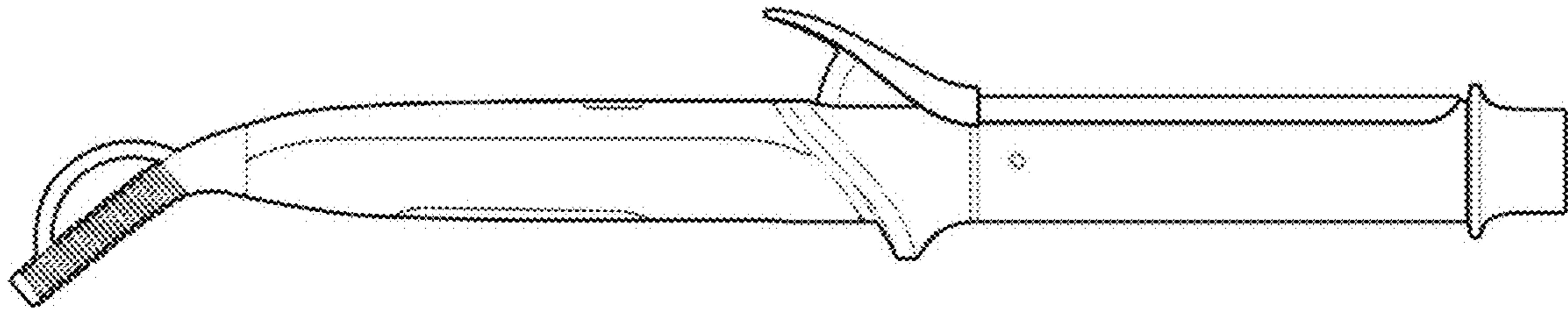
2.1



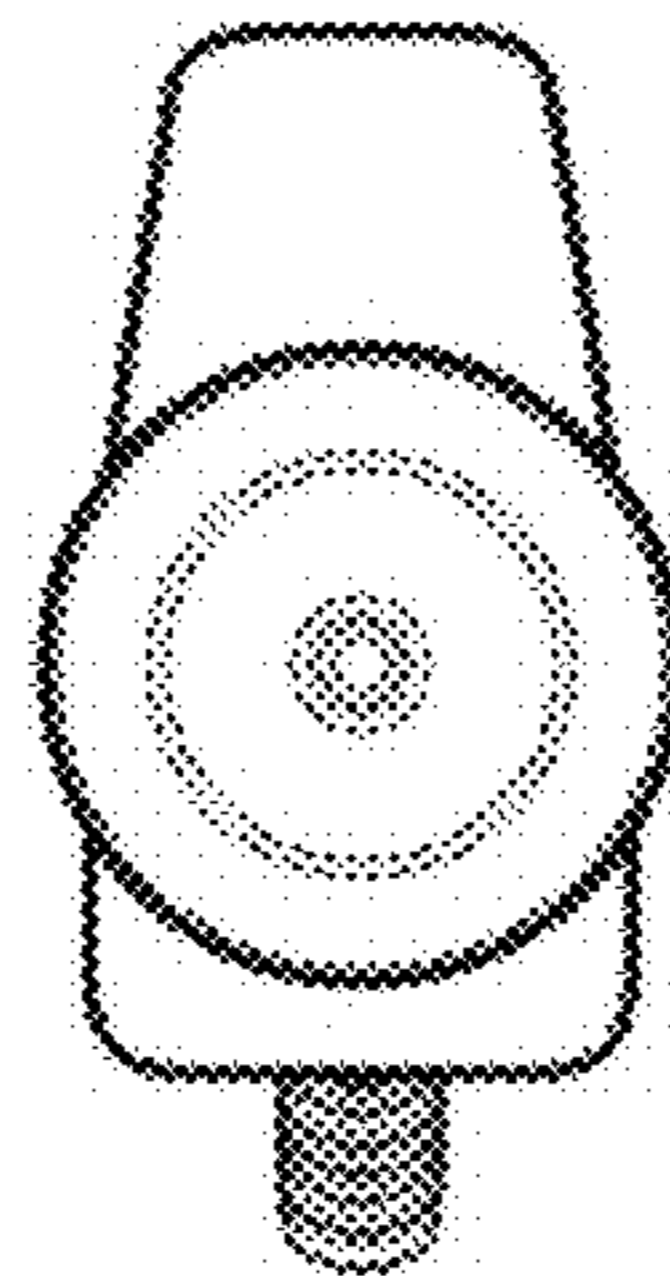
2.2



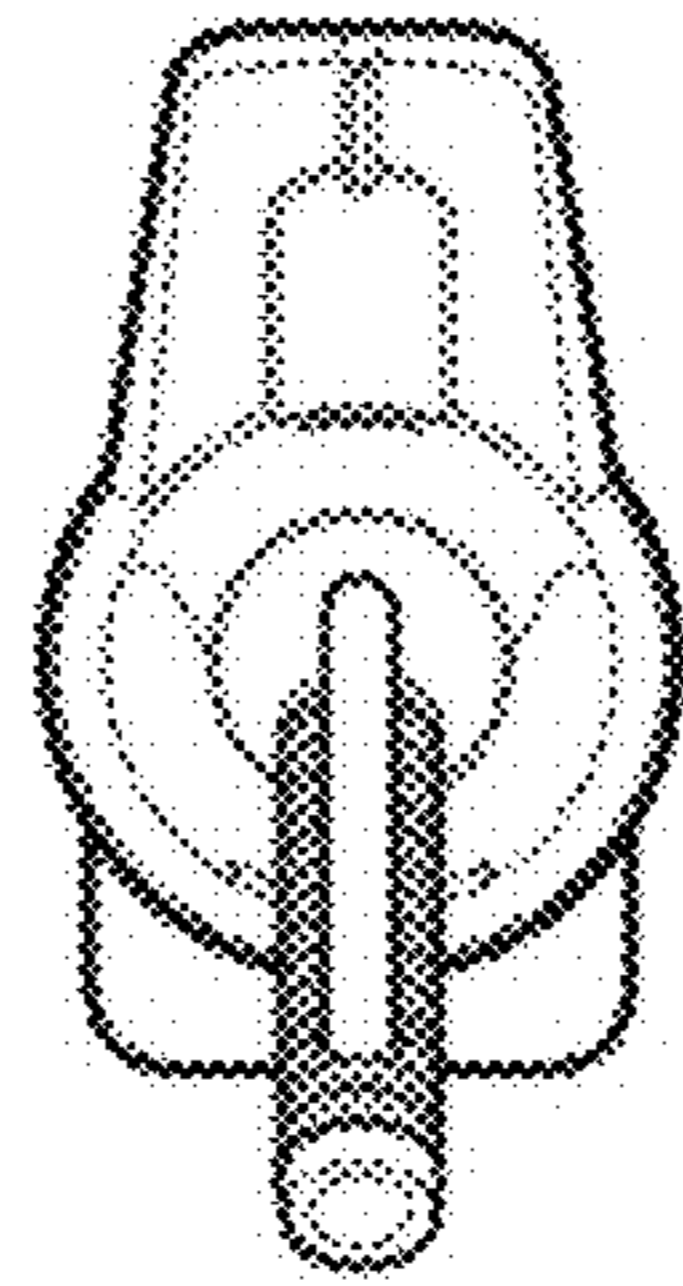
2.3



2.4



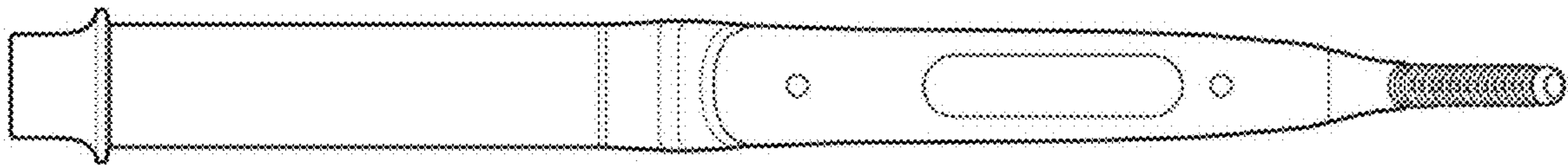
2.5



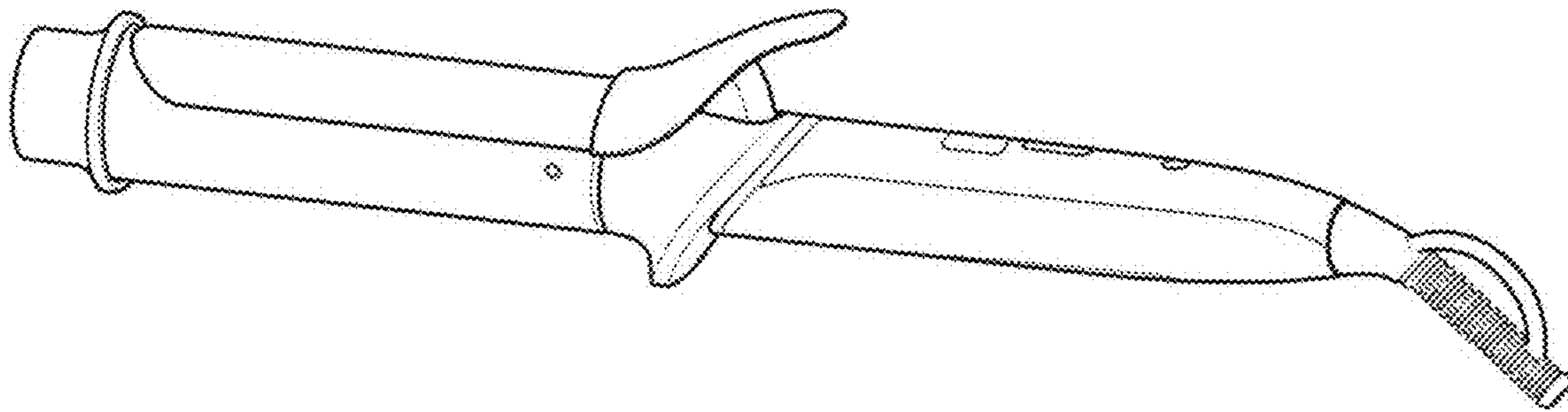
2.6



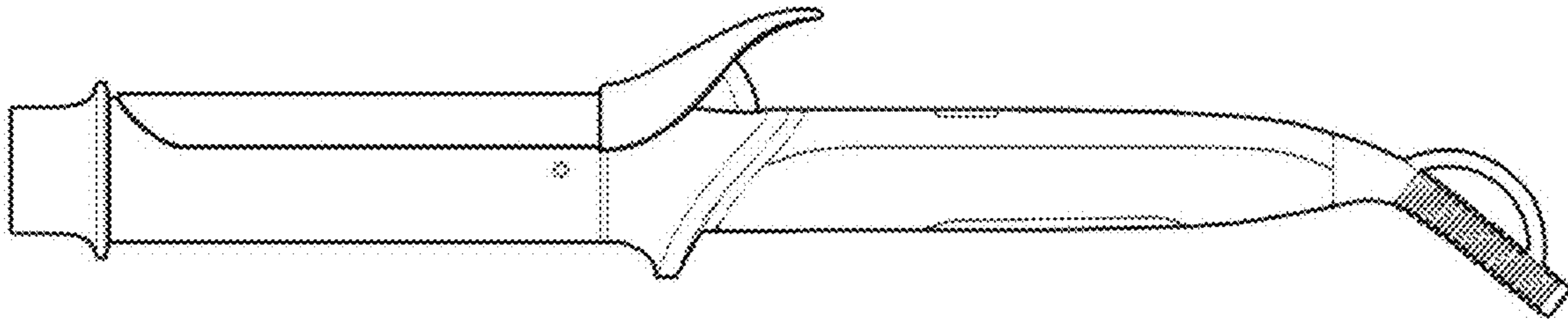
2.7



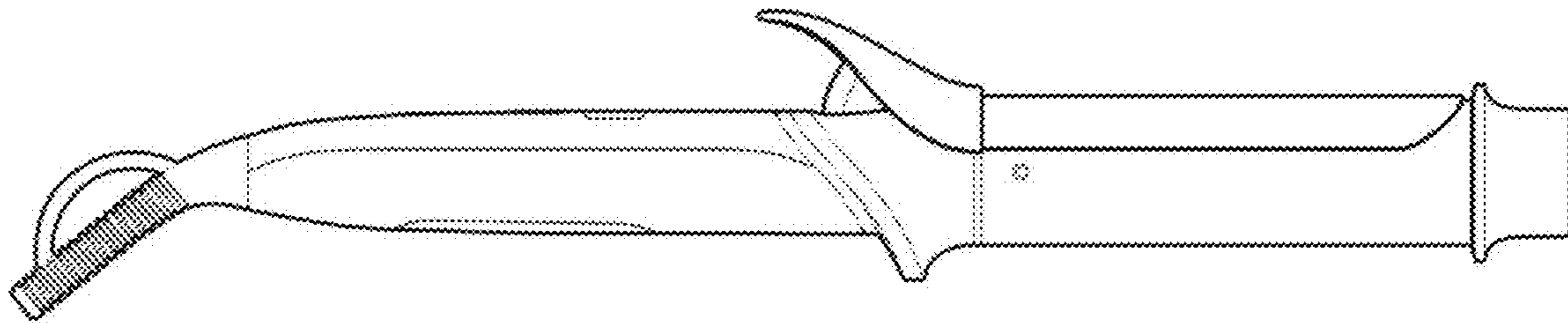
3.1



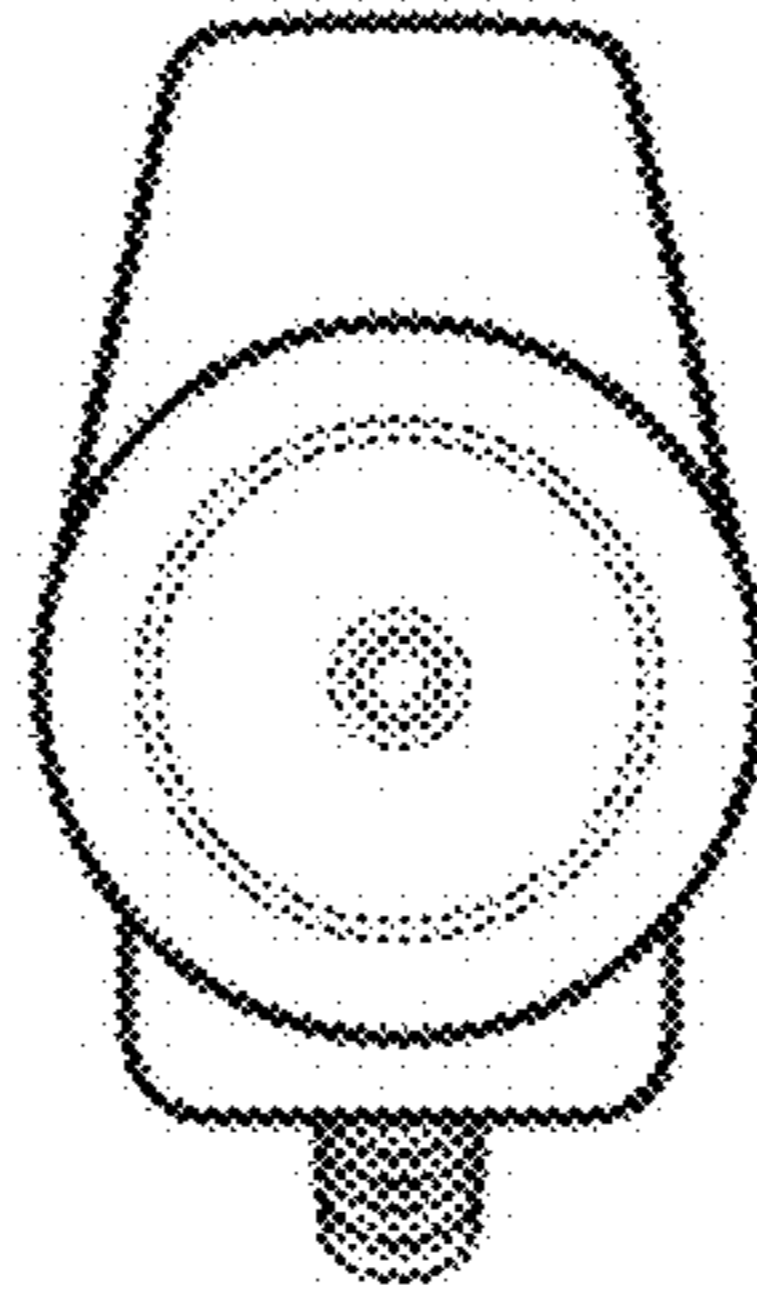
3.2



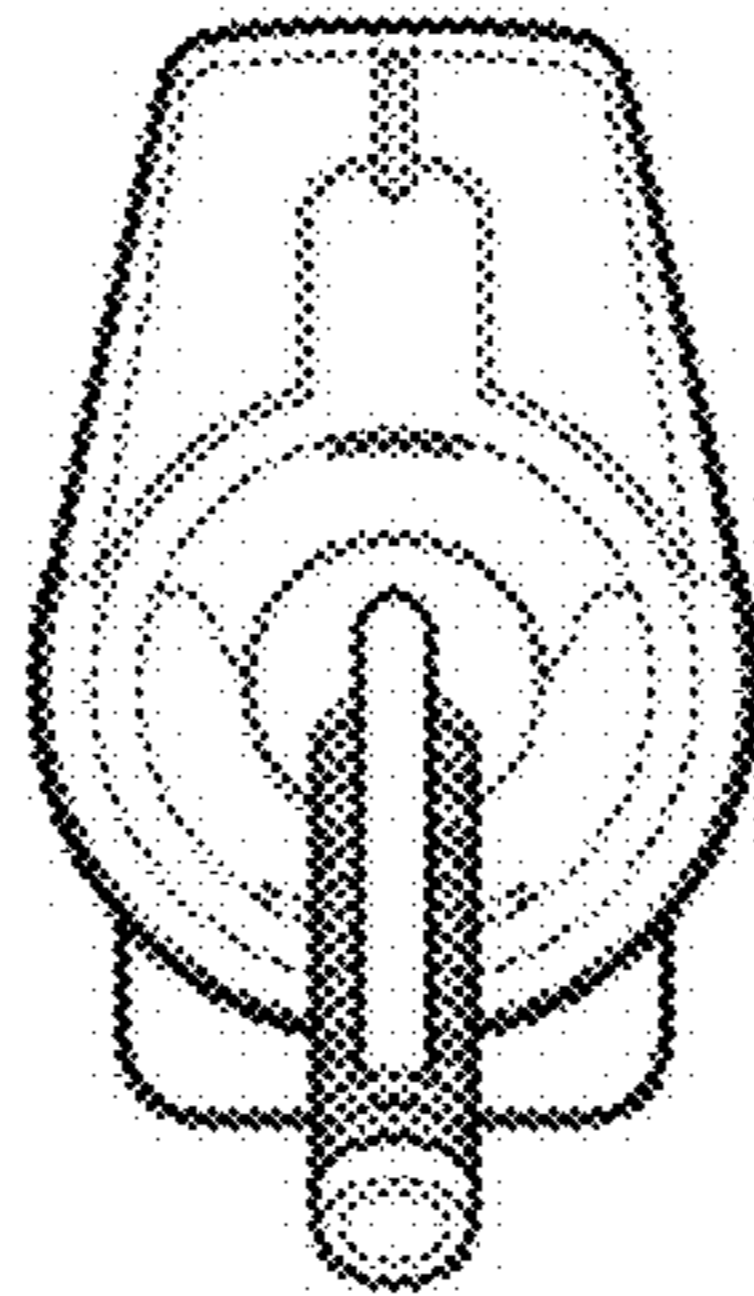
3.3



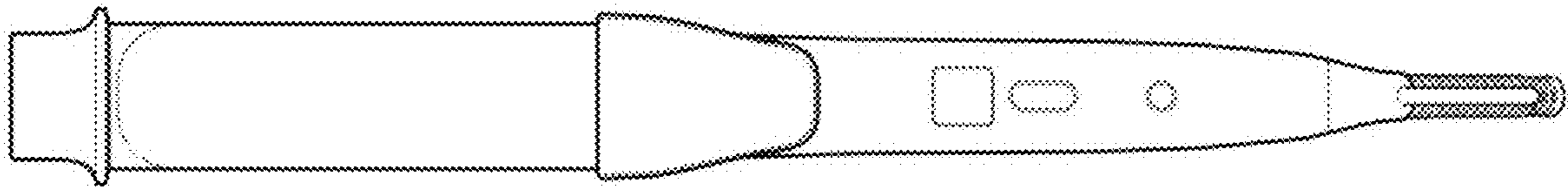
3.4



3.5



3.6



3.7

