



US00D833675S

(12) **United States Design Patent** (10) **Patent No.:** **US D833,675 S**
Staats (45) **Date of Patent:** **** Nov. 13, 2018**

(54) **PORTABLE HYGIENE STATION**
(71) Applicant: **Diana L. Staats**, Plano, TX (US)
(72) Inventor: **Diana L. Staats**, Plano, TX (US)
(**) Term: **15 Years**
(21) Appl. No.: **29/589,143**
(22) Filed: **Dec. 28, 2016**

D397,508 S * 8/1998 Rashid D23/289
D459,449 S * 6/2002 Minami D23/289
D471,017 S * 3/2003 Cheung D28/20
D471,668 S * 3/2003 Cheung D28/20
D672,086 S * 12/2012 Tai D23/289
D815,915 S * 4/2018 Raphael D7/584

* cited by examiner

Primary Examiner — Zenia I Bennett

(57) **CLAIM**

The ornamental design for a portable hygiene station, as shown and described.

DESCRIPTION

FIG. 1 is a top isometric view of the portable hygiene station embodying my new design;
FIG. 2 is a front view of the portable hygiene station;
FIG. 3 is a back view of the portable hygiene station;
FIG. 4 is a right side view of the portable hygiene station;
FIG. 5 is a left side view of the portable hygiene station;
FIG. 6 is a top view of the portable hygiene station;
FIG. 7 is a bottom view of the portable hygiene station;
FIG. 8 is a bottom isometric view of the portable hygiene station; and,
FIG. 9 is an environmental view of the portable hygiene station.

The broken lines depicting portions of the portable hygiene station in the drawing are for illustrative purposes only and form no part of the claimed design.

1 Claim, 9 Drawing Sheets

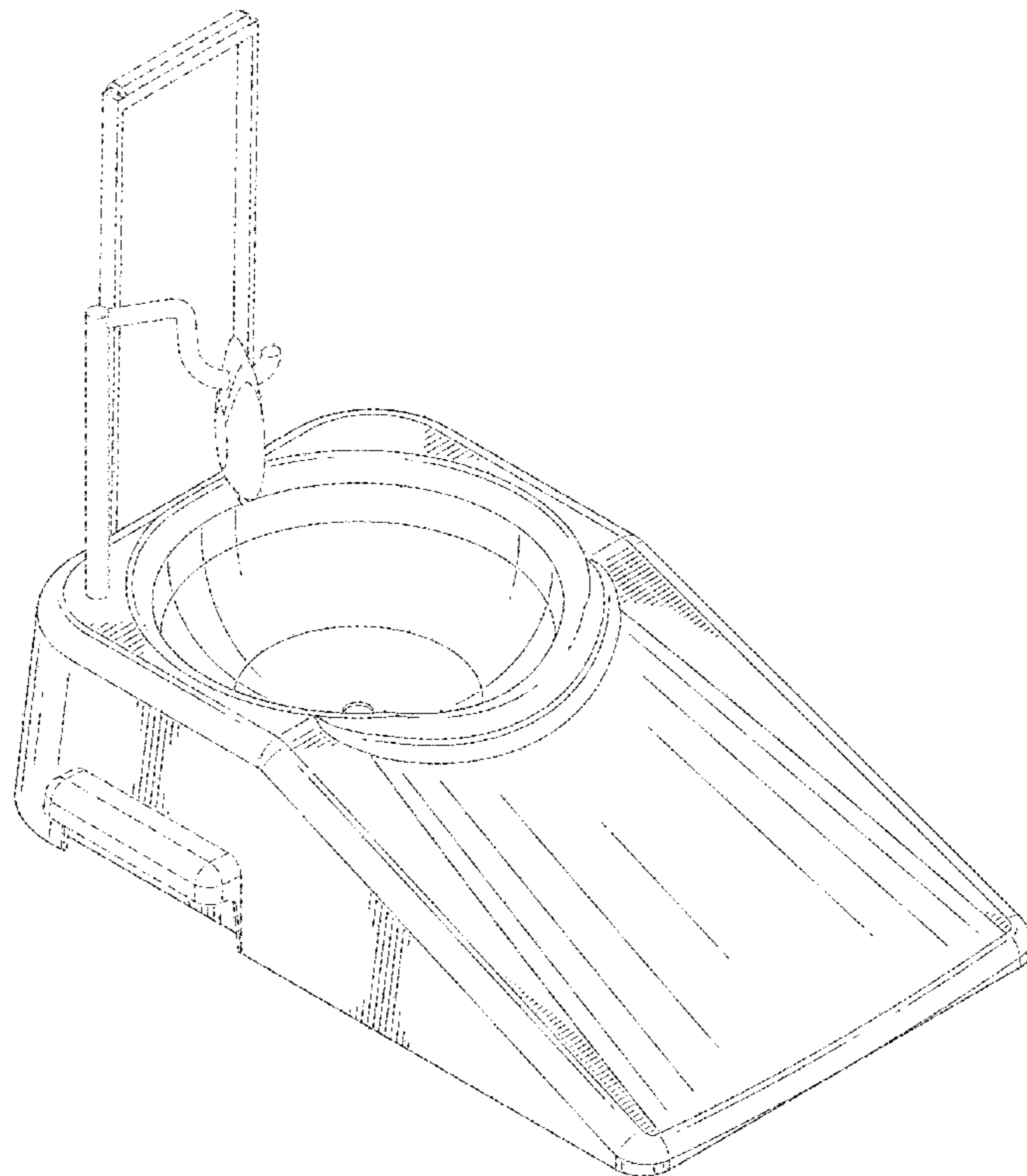
Related U.S. Application Data

(63) Continuation of application No. 14/221,057, filed on Mar. 20, 2014.
(51) **LOC (11) Cl.** **28-03**
(52) **U.S. Cl.**
USPC **D28/20**
(58) **Field of Classification Search**
USPC D28/9–10, 20, 99; D23/289
CPC A45D 44/00; A45D 44/02; A45D 44/04;
A45D 44/10
See application file for complete search history.

References Cited

U.S. PATENT DOCUMENTS

D282,108 S * 1/1986 Losenno D28/20
D346,242 S * 4/1994 McNally D28/20
D394,523 S * 5/1998 Hsu D23/289



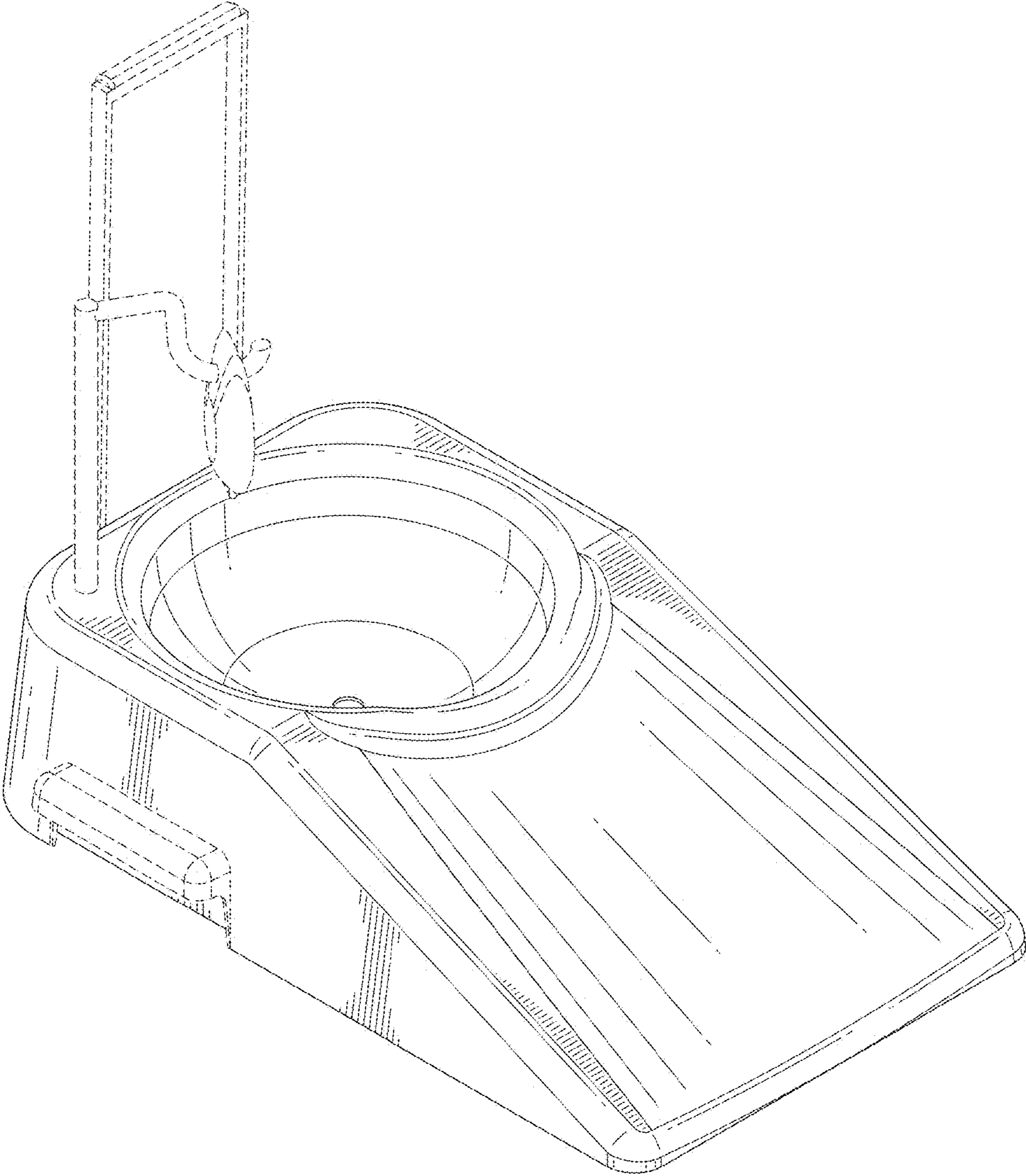


FIG. 1

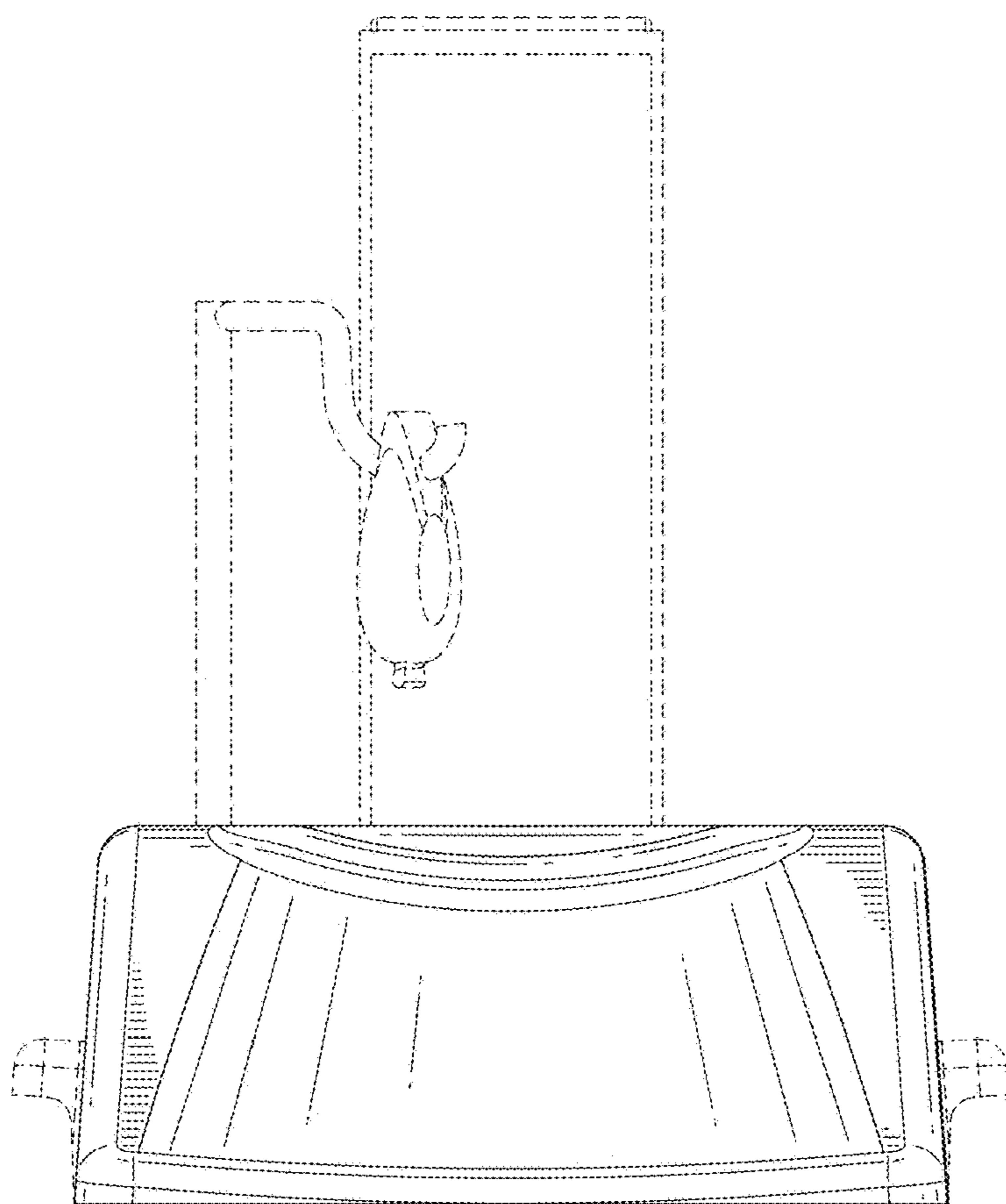


FIG. 2

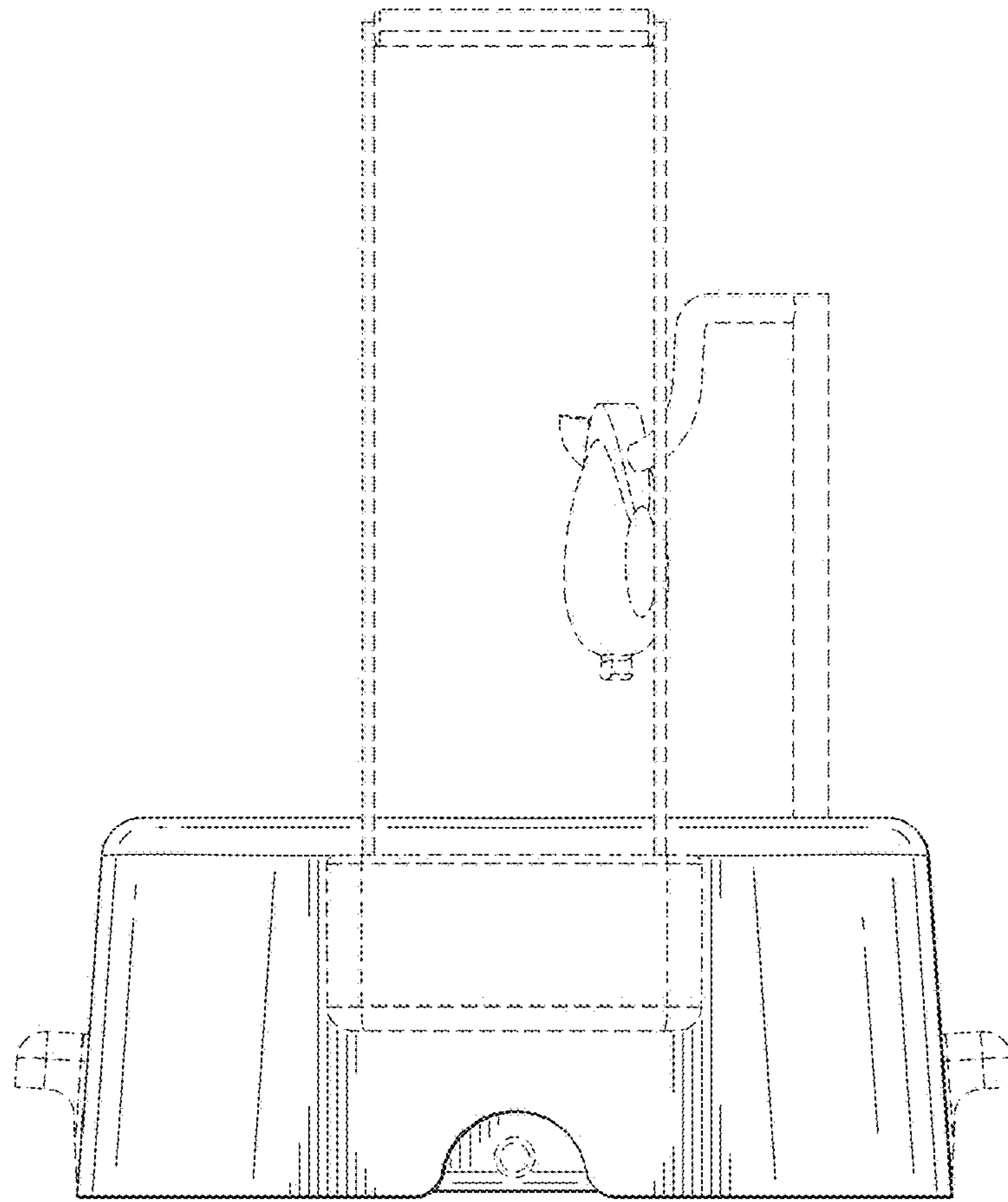


FIG. 3

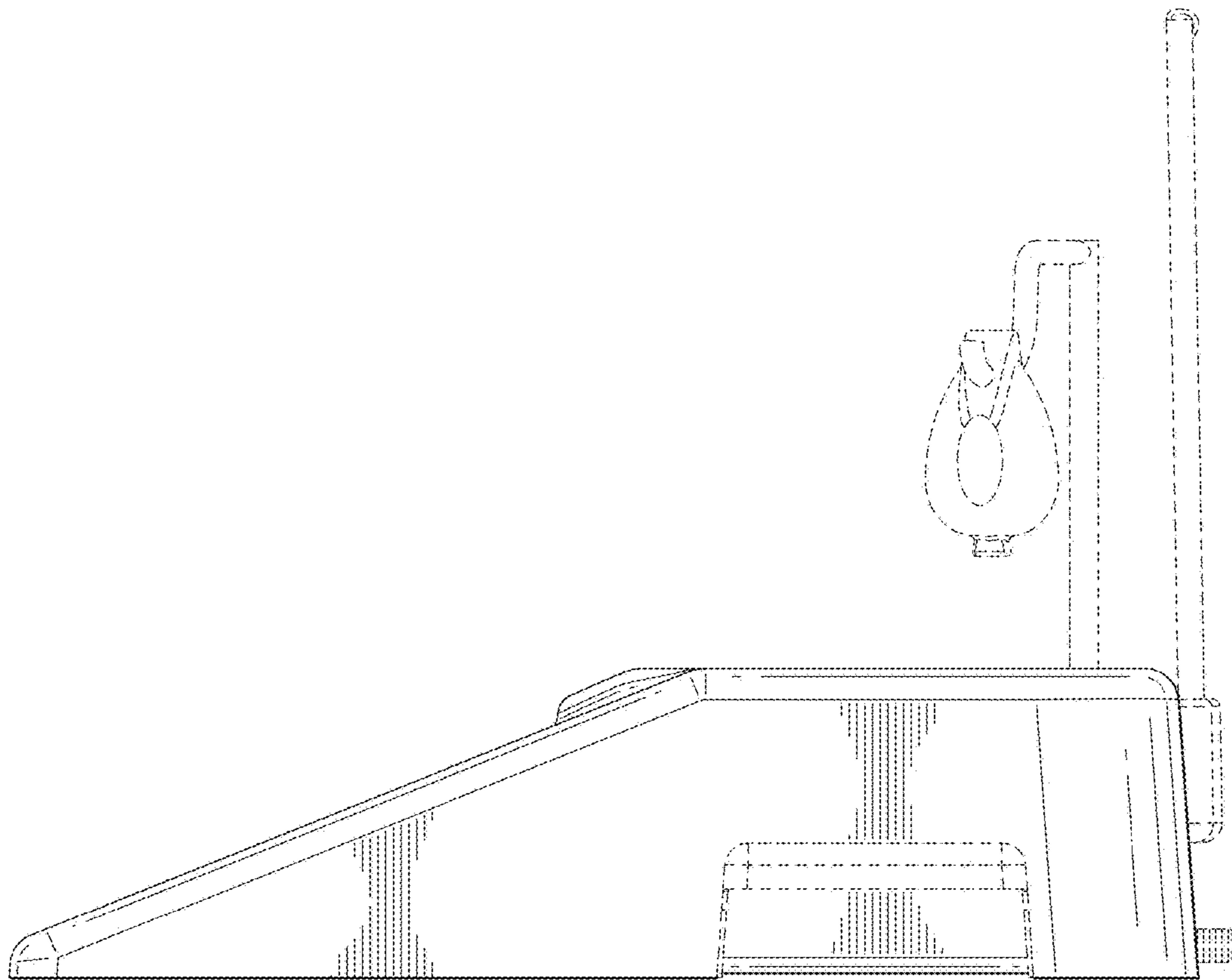


FIG. 4

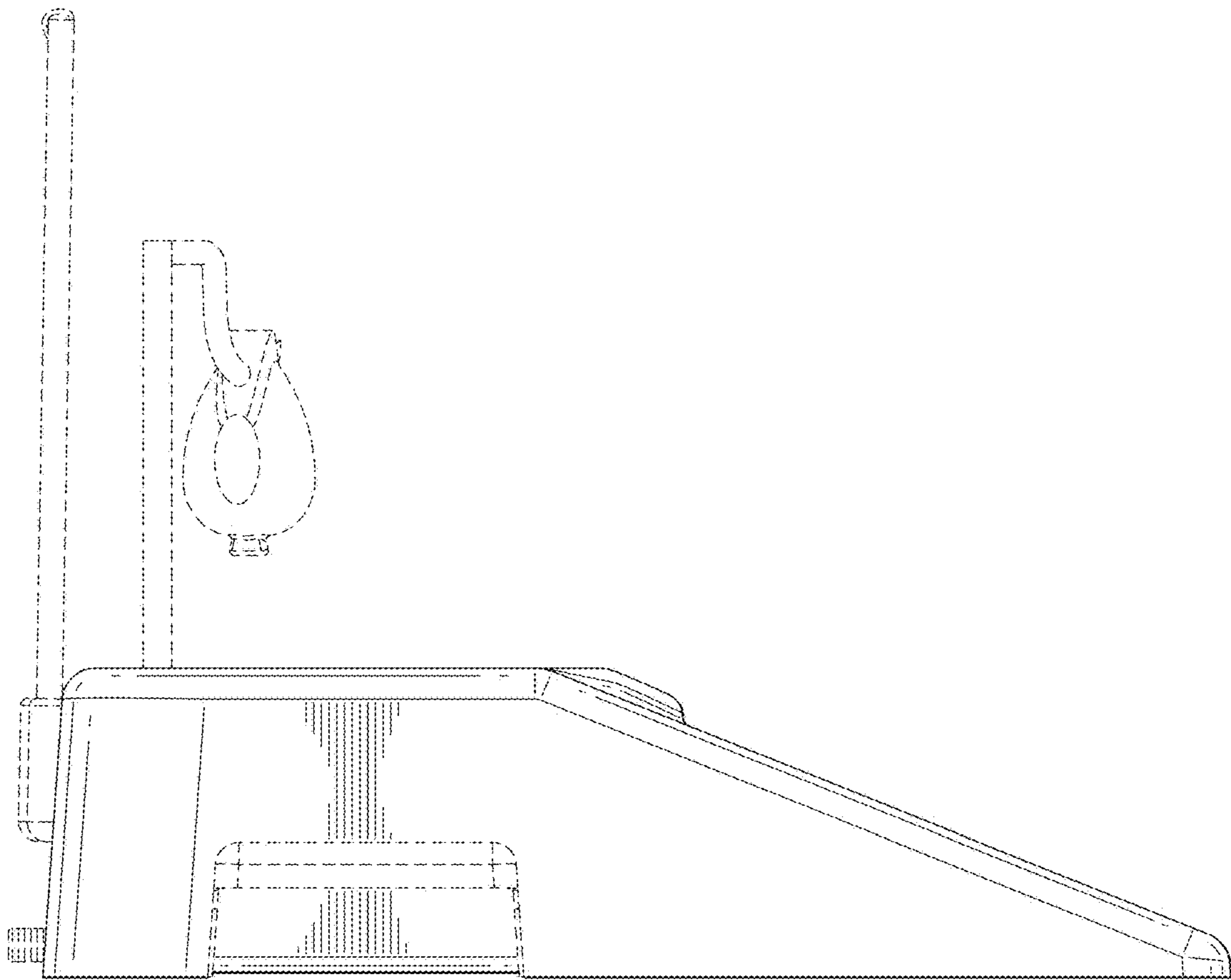


FIG. 5

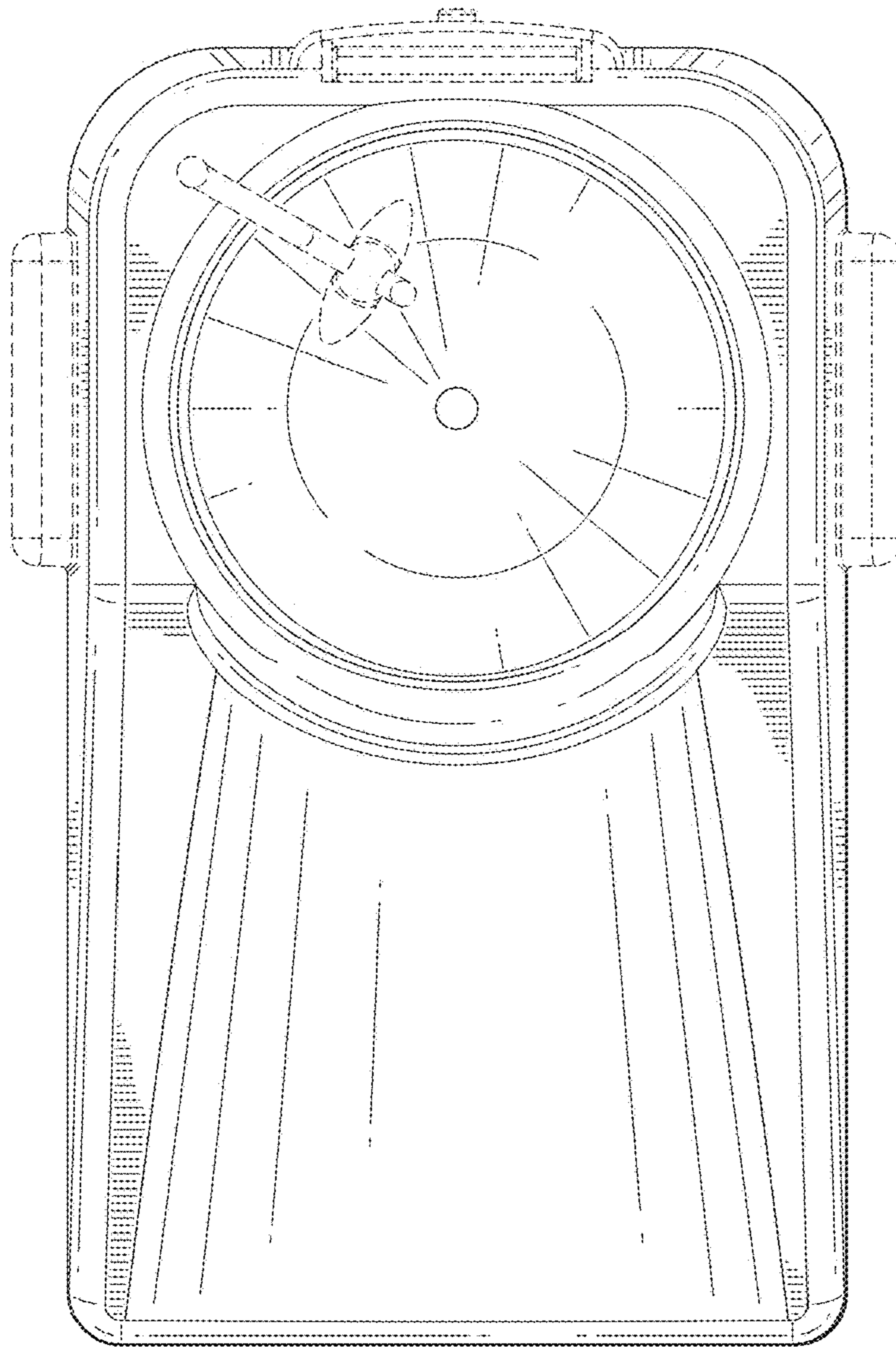


FIG. 6

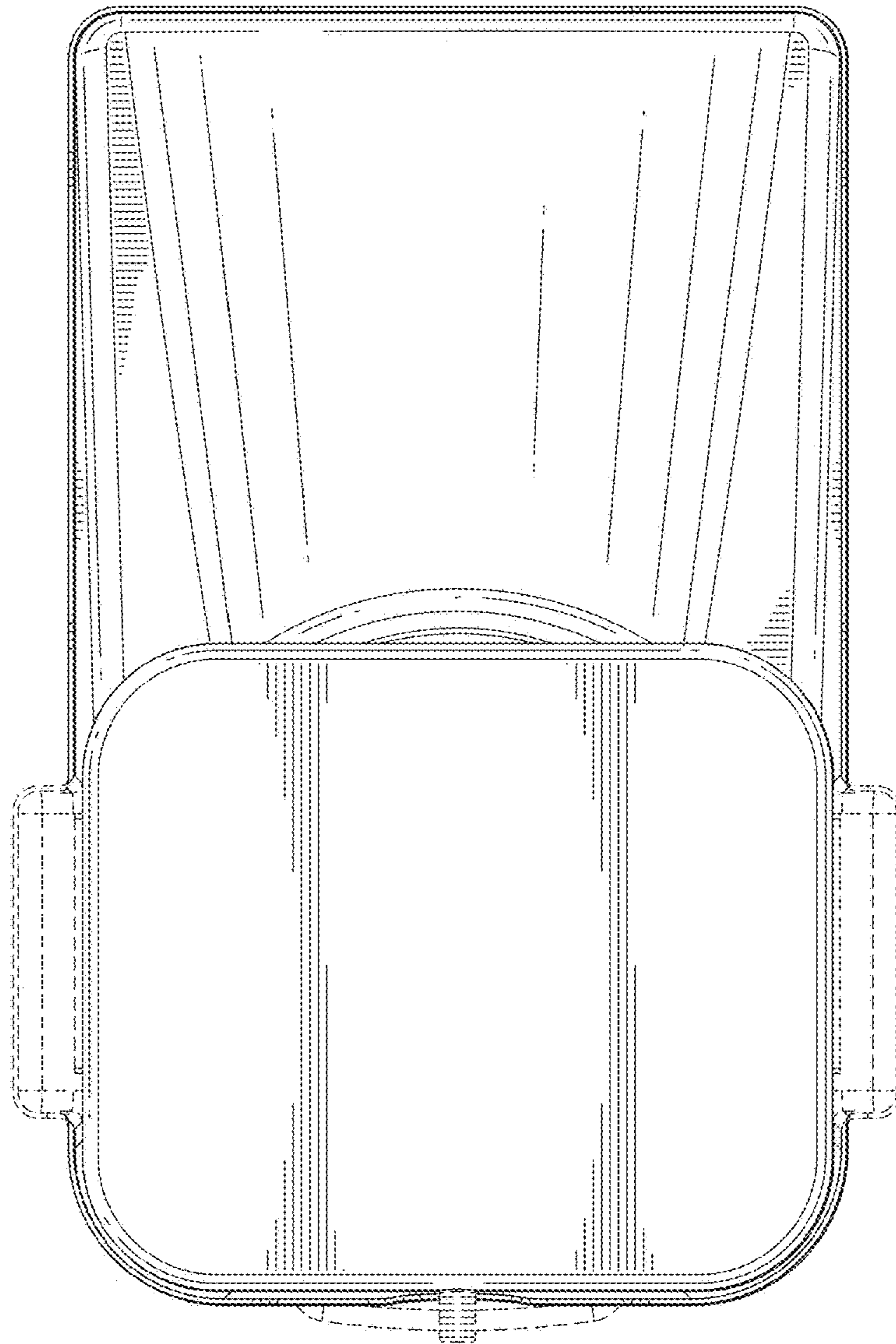


FIG. 7

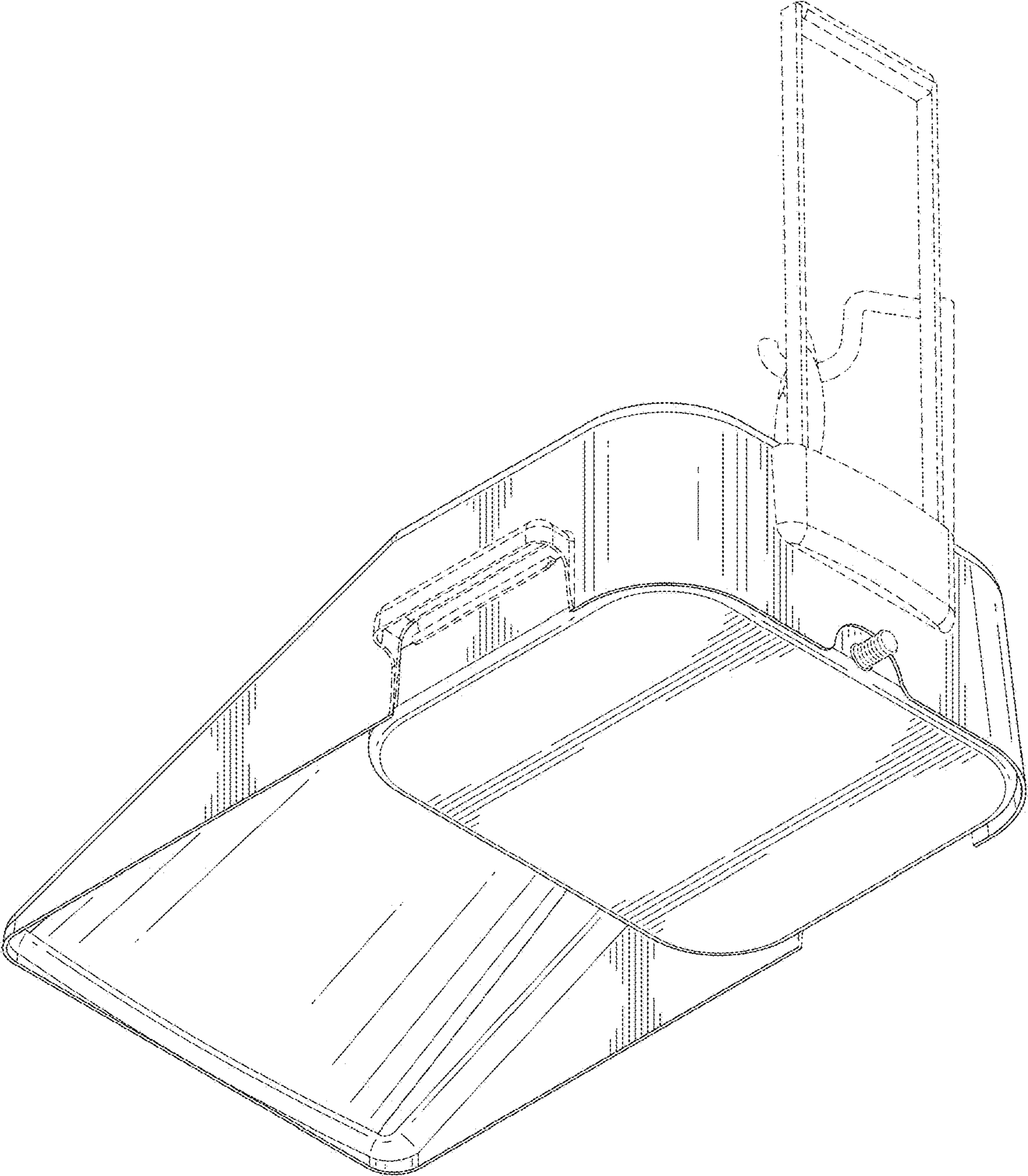


FIG. 8

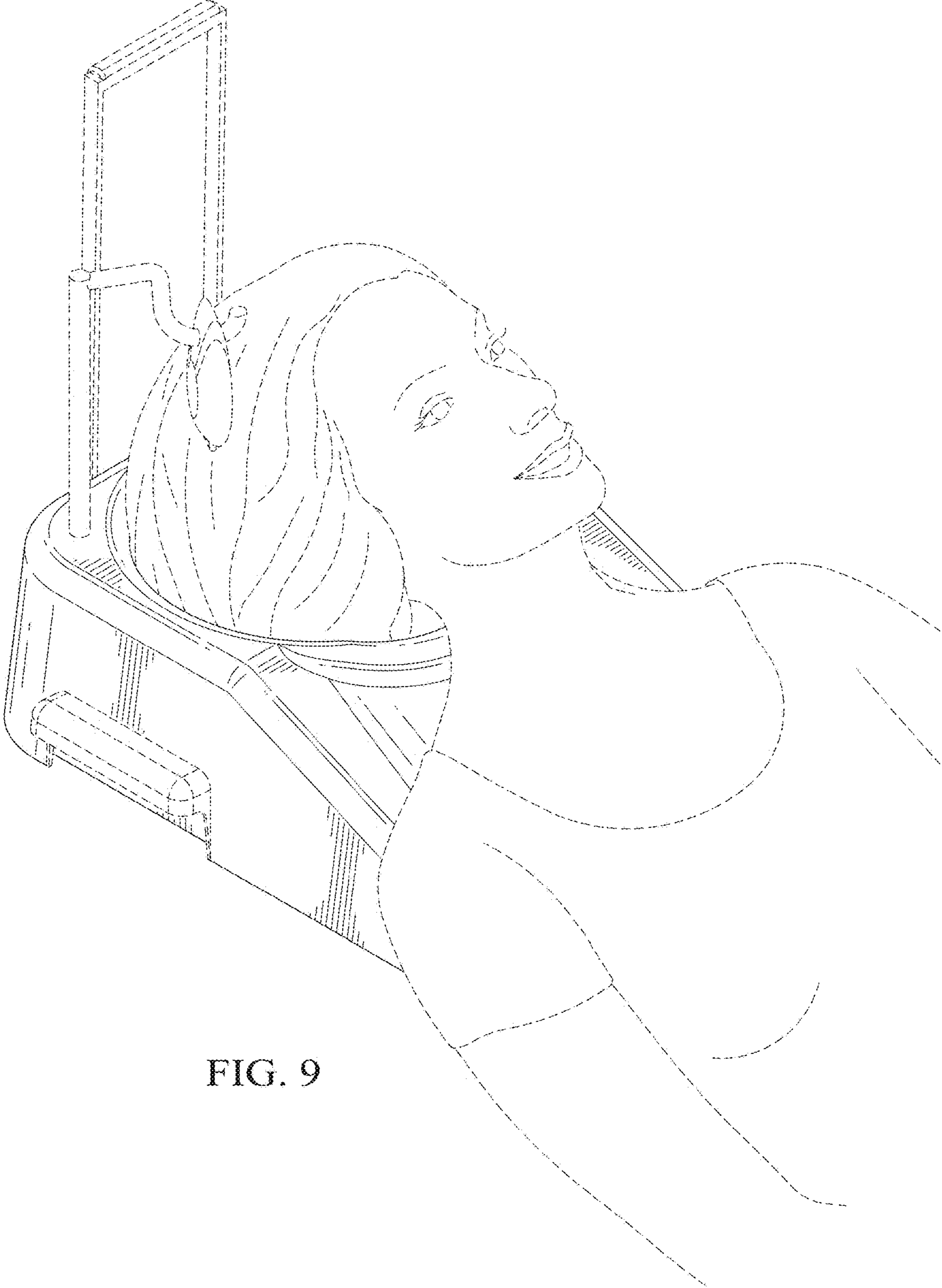


FIG. 9