



US00D833673S

(12) **United States Design Patent** (10) **Patent No.:** **US D833,673 S**
Booth (45) **Date of Patent:** **** Nov. 13, 2018**

(54) **COMBINED HERB GRINDER, PIPE, AND LIGHTER HOLDER**

(71) Applicant: **Wolf Grinders Inc.**, Edmonton (CA)

(72) Inventor: **Nicholas Booth**, Edmonton (CA)

(73) Assignee: **Wolf Grinders Inc.**, Edmonton (CA)

(**) Term: **15 Years**

(21) Appl. No.: **29/612,788**

(22) Filed: **Aug. 3, 2017**

(30) **Foreign Application Priority Data**

Mar. 3, 2017 (CA) 173273

(51) **LOC (11) Cl.** **27-99**

(52) **U.S. Cl.**
USPC **D27/194**

(58) **Field of Classification Search**
USPC D27/189, 186, 187, 194, 180-183, 172,
D27/174, 175; 131/329, 175, 179, 180,
(Continued)

(56) **References Cited**

U.S. PATENT DOCUMENTS

4,223,687 A 9/1980 Sandeen
D370,300 S * 5/1996 Gottvald D27/172
(Continued)

FOREIGN PATENT DOCUMENTS

WO 2016/157035 A1 10/2016

Primary Examiner — Susan Bennett Hattan

Assistant Examiner — Rebecca Tsehaye

(74) *Attorney, Agent, or Firm* — Christensen O'Connor
Johnson Kindness PLLC

(57) **CLAIM**

The ornamental design for a combined herb grinder, pipe, and lighter holder, as shown and described.

DESCRIPTION

FIG. 1 is a top perspective view of the combined herb grinder, pipe, and lighter holder, including a lighter in broken lines to show context only, the lighter forming no part of the claimed design.

FIG. 2 is a top perspective view of the combined herb grinder, pipe, and lighter holder.

FIG. 3 is a bottom perspective view of the combined herb grinder, pipe, and lighter holder.

FIG. 4 is a front elevation view of the combined herb grinder, pipe, and lighter holder.

FIG. 5 is a rear elevation view of the combined herb grinder, pipe, and lighter holder.

FIG. 6 is a top plan view of the combined herb grinder, pipe, and lighter holder.

FIG. 7 is a bottom plan view of the combined herb grinder, pipe, and lighter holder.

FIG. 8 is a left elevation view of the combined herb grinder, pipe, and lighter holder.

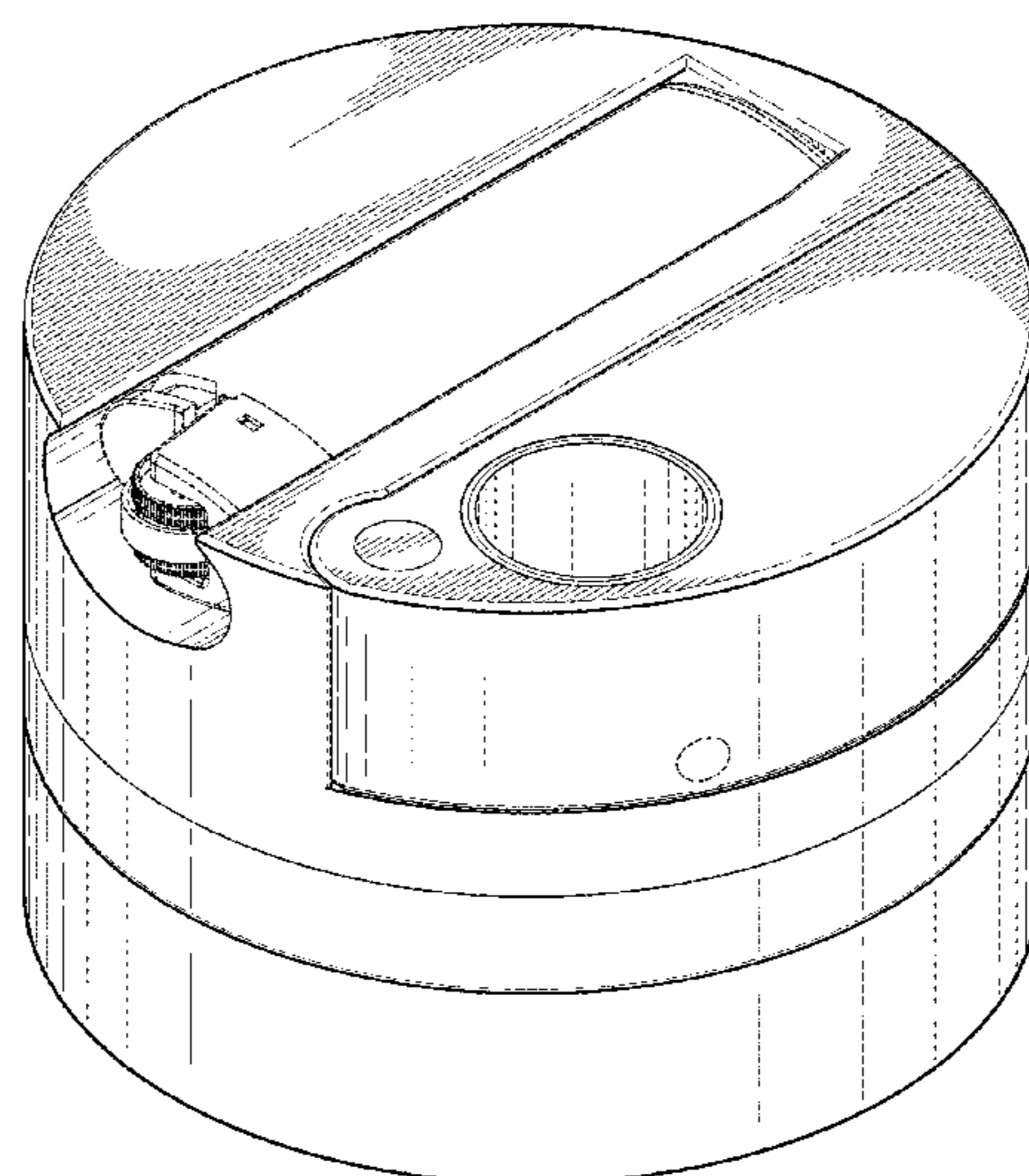
FIG. 9 is a right elevation view of the combined herb grinder, pipe, and lighter holder.

FIG. 10 is a top perspective view of the combined herb grinder, pipe, and lighter holder showing the pipe pulled away from the herb grinder and lighter holder portions; and,

FIG. 11 is an enlarged fragmentary view of the bowl portion of the pipe, showing the depth of the bowl. The dash-dot-dot line does not constitute a feature of the design but instead defines the boundary of the fragmentary view.

The broken lines in the FIGURES are for the purpose of illustrating portions of the combined herb grinder, pipe, and lighter holder and form no part of the claimed design.

1 Claim, 9 Drawing Sheets



US D833,673 S

(58) **Field of Classification Search**
USPC 131/186, 187, 250, 319, 322; D7/679,
D7/372, 373, 374, 383, 384, 401.1
CPC .. A24F 23/04; A24F 23/00; A24F 9/14; A24F
9/16; A24F 9/00; A24B 7/00
See application file for complete search history.

(56) **References Cited**

U.S. PATENT DOCUMENTS

D518,728 S * 4/2006 Frantz D9/454
D531,036 S * 10/2006 Bried D9/504
D574,709 S * 8/2008 Crotts D28/91
D595,319 S * 6/2009 Park D15/126
7,717,259 B2 5/2010 Hatton
D640,546 S * 6/2011 Berggren D9/421
8,567,597 B2 * 10/2013 Gibson A24F 23/00
206/236
8,584,842 B2 11/2013 Fakhouri et al.
D702,398 S 4/2014 Fakhouri et al.

D714,595 S 10/2014 Ducey
8,978,661 B2 * 3/2015 Atchley A24B 13/00
131/111
D726,367 S 4/2015 Dukat
9,192,194 B2 11/2015 Fakhouri et al.
9,241,597 B2 1/2016 Dukat
D755,022 S 5/2016 Dukat
D755,584 S 5/2016 Dukat
D759,438 S 6/2016 Dukat
D761,064 S 7/2016 Dukat
9,795,165 B2 * 10/2017 Bried A24F 23/00
9,908,670 B2 * 3/2018 Patel A24F 23/00
9,999,575 B2 * 6/2018 Lampe A24F 23/00
2012/0193265 A1 * 8/2012 Patel A24F 23/00
206/524.6
2013/0160778 A1 6/2013 Magnone
2016/0081390 A1 3/2016 Ackerman
2016/0100715 A1 4/2016 Staiano et al.
2016/0128513 A1 5/2016 Chan
2016/0262448 A1 9/2016 Zeitlin
2016/0278430 A1 9/2016 Shalom

* cited by examiner

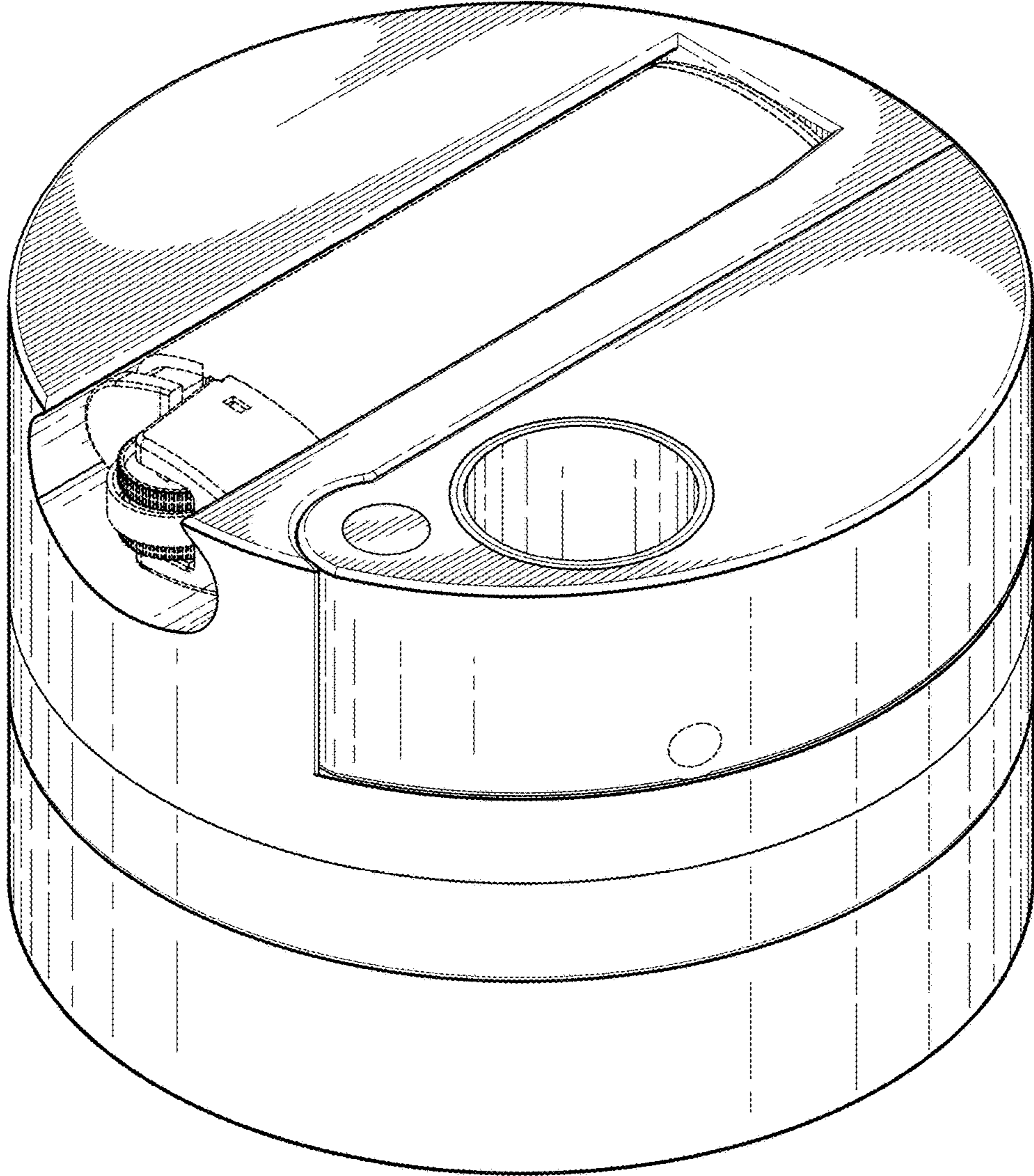


Fig. 1.

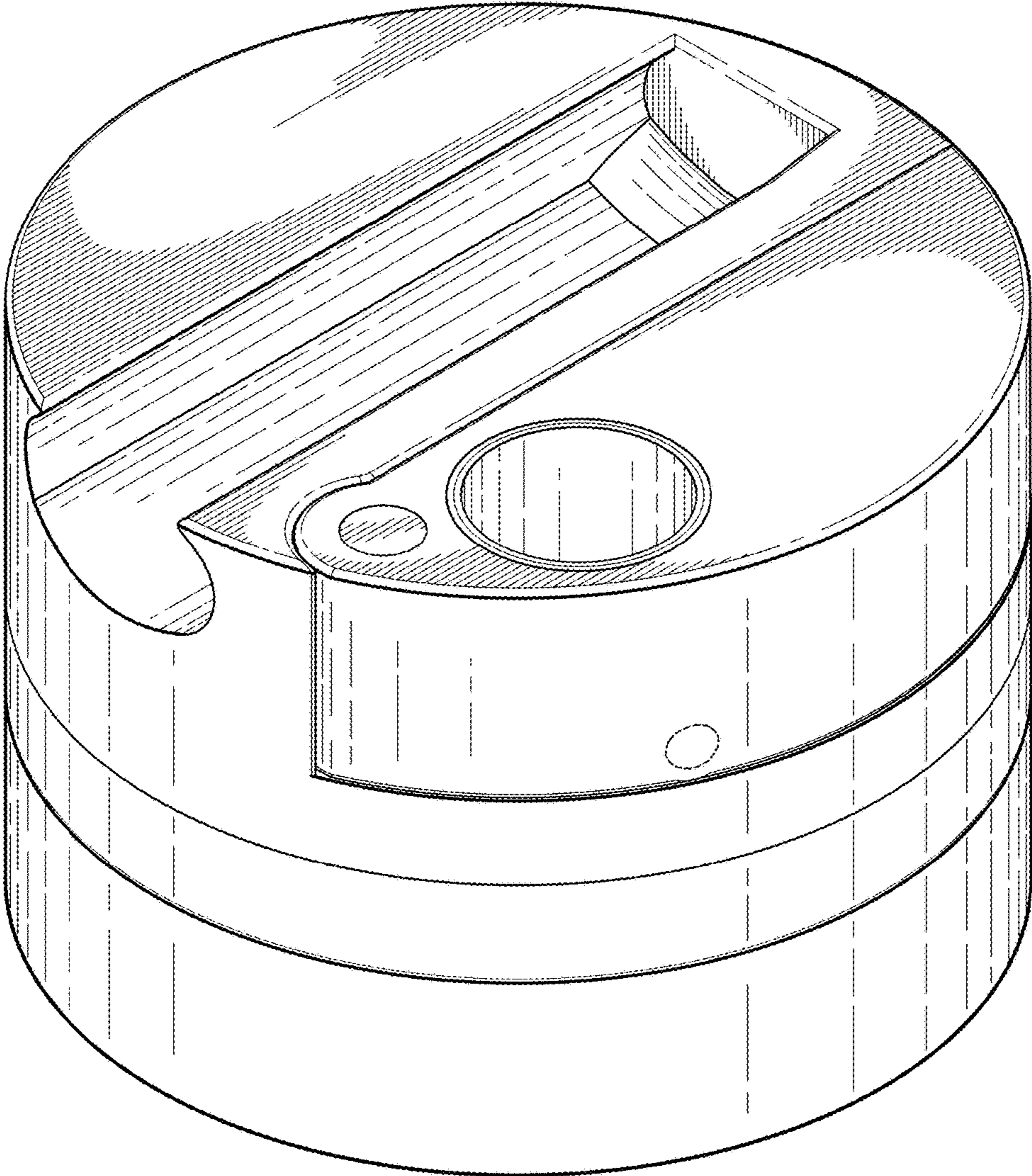


Fig. 2.

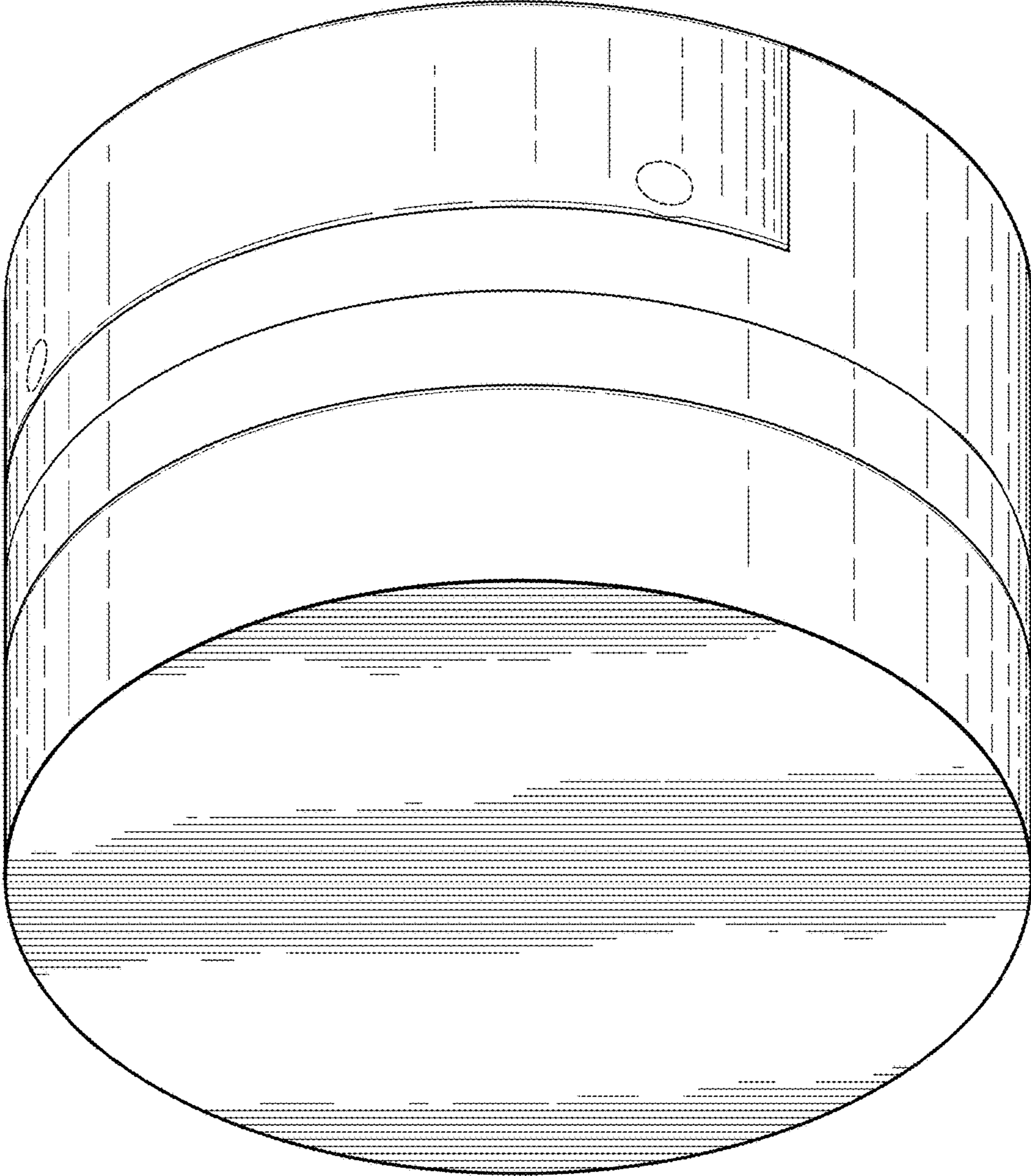


Fig. 3.

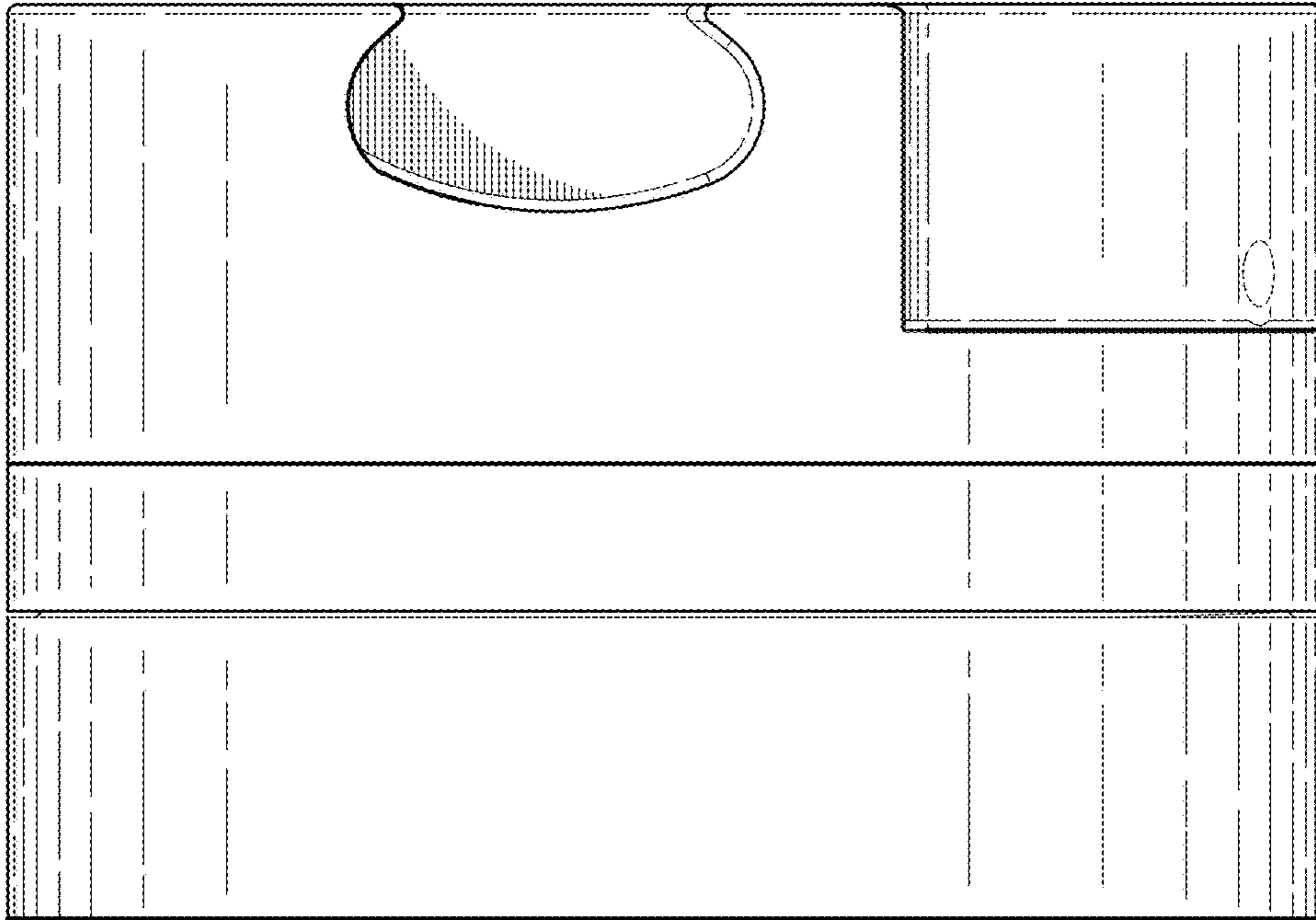


Fig. 4.

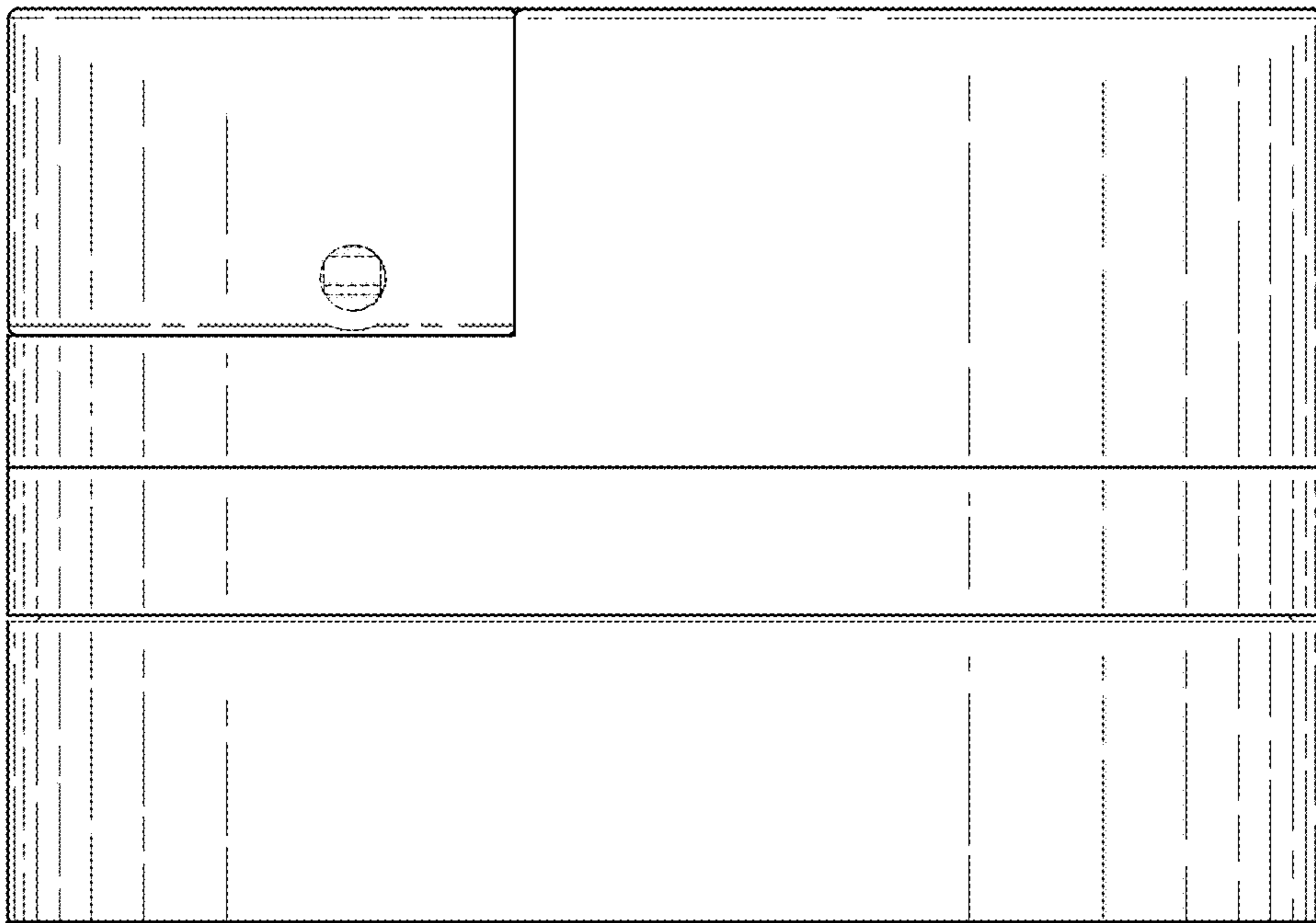


Fig. 5.

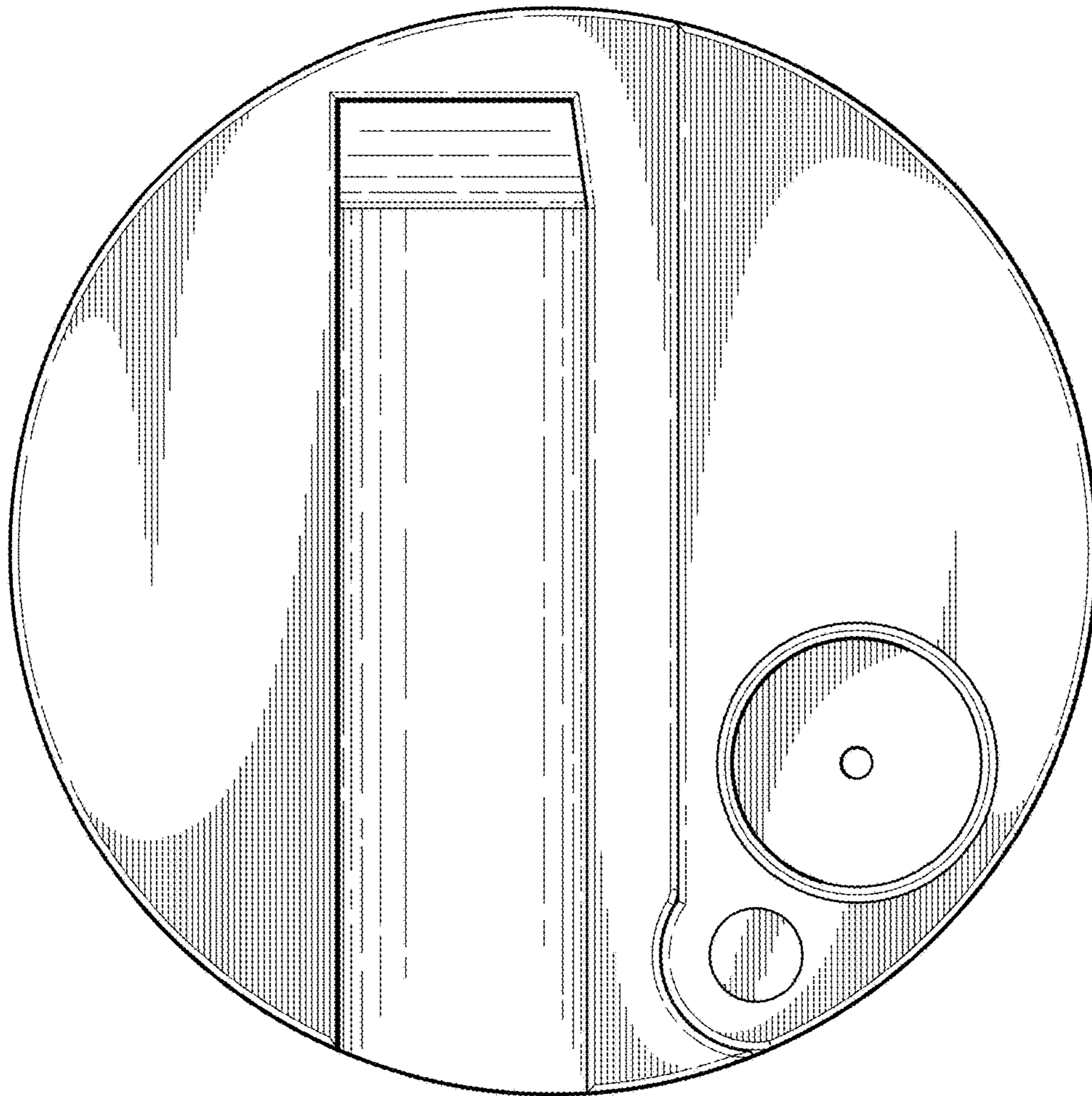


Fig. 6.

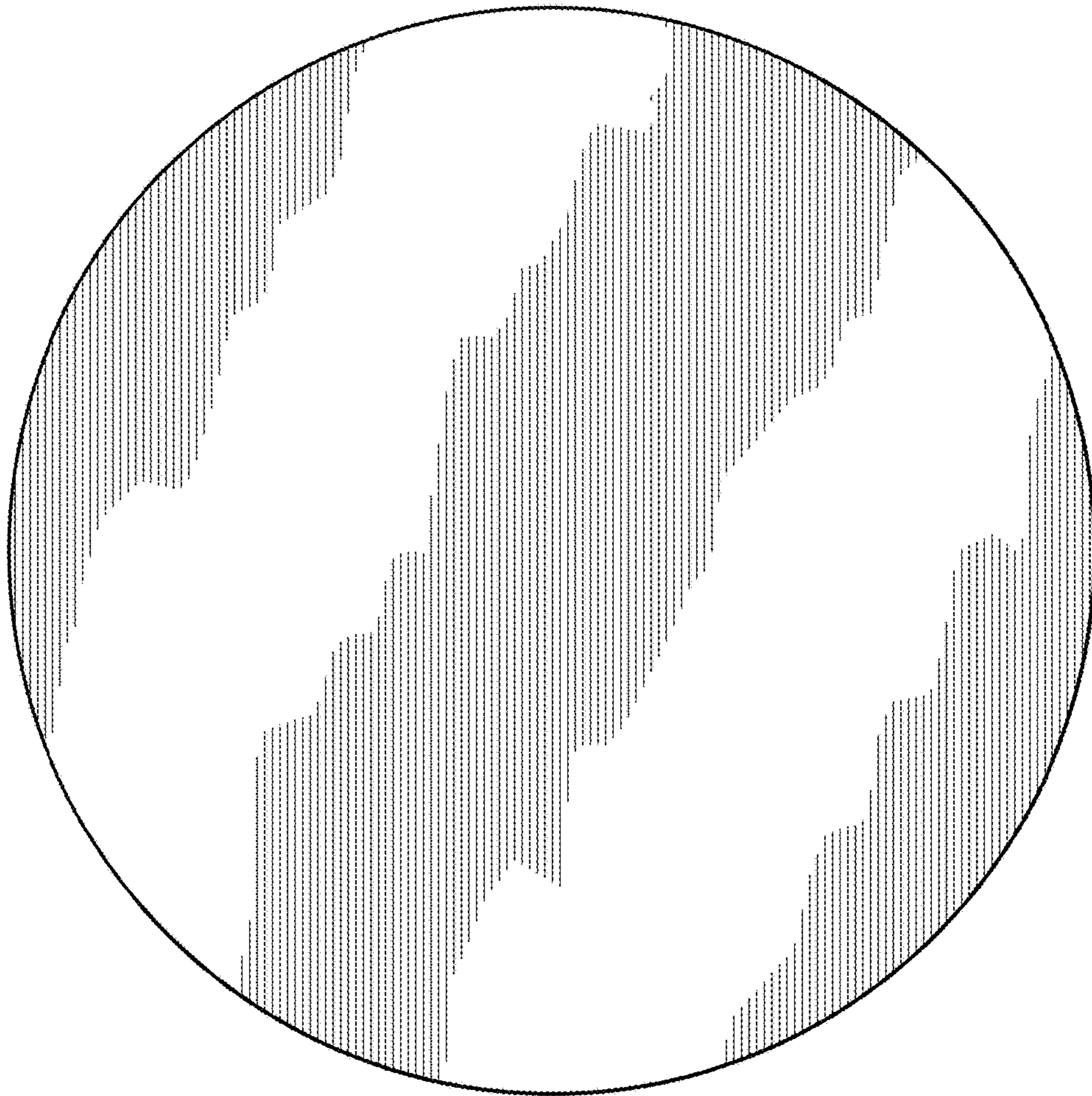


Fig. 7.

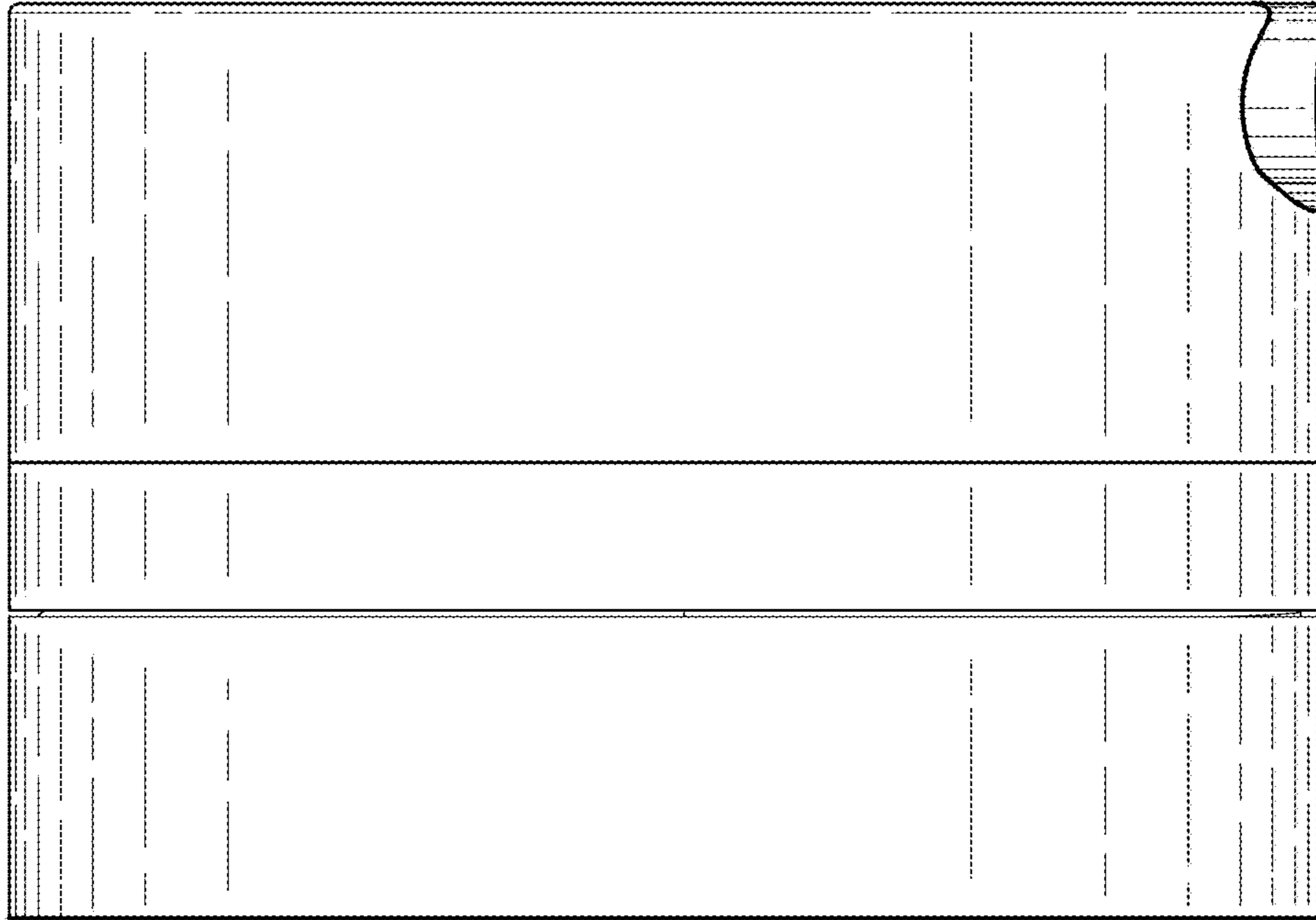


Fig. 8.

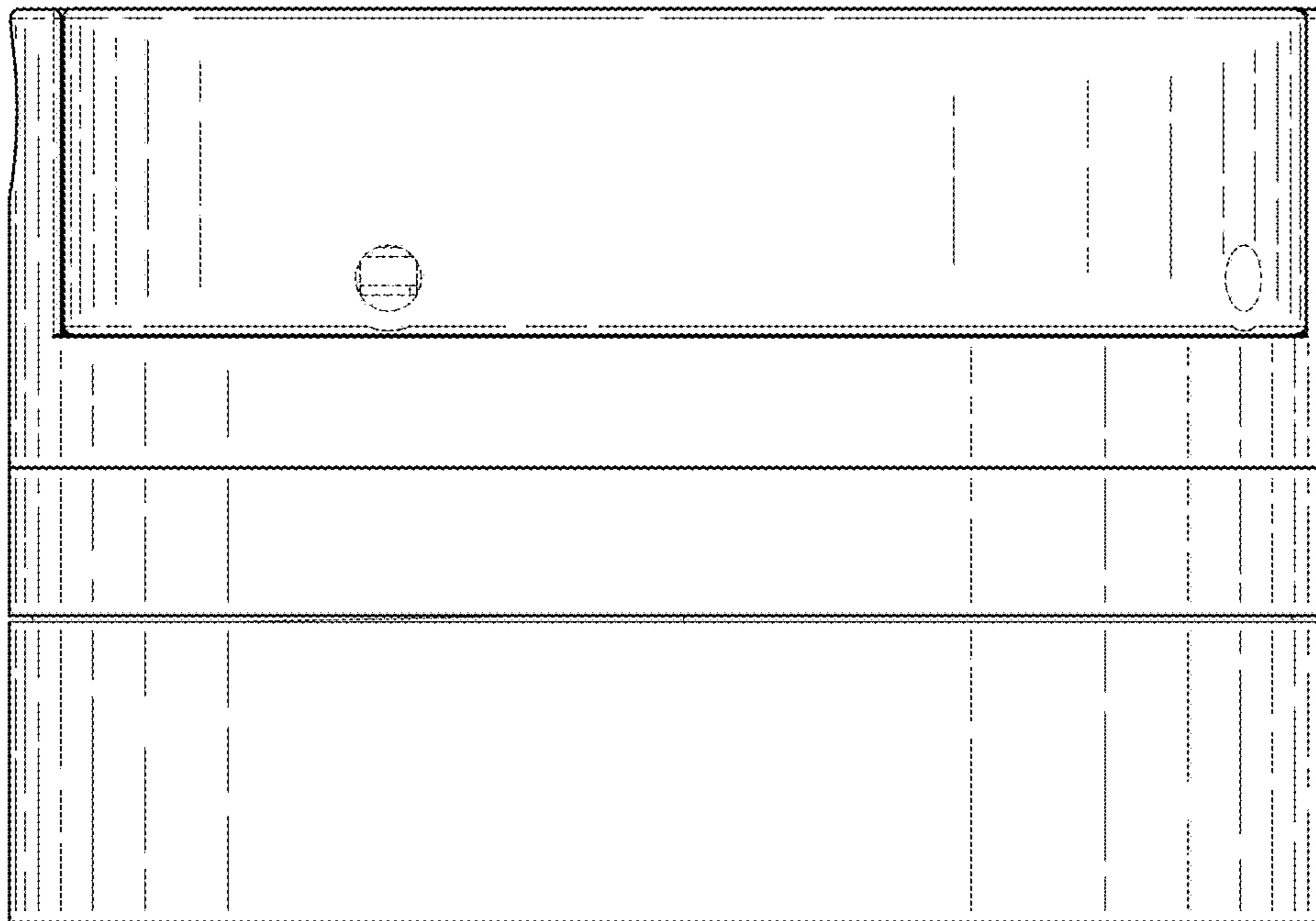


Fig. 9.

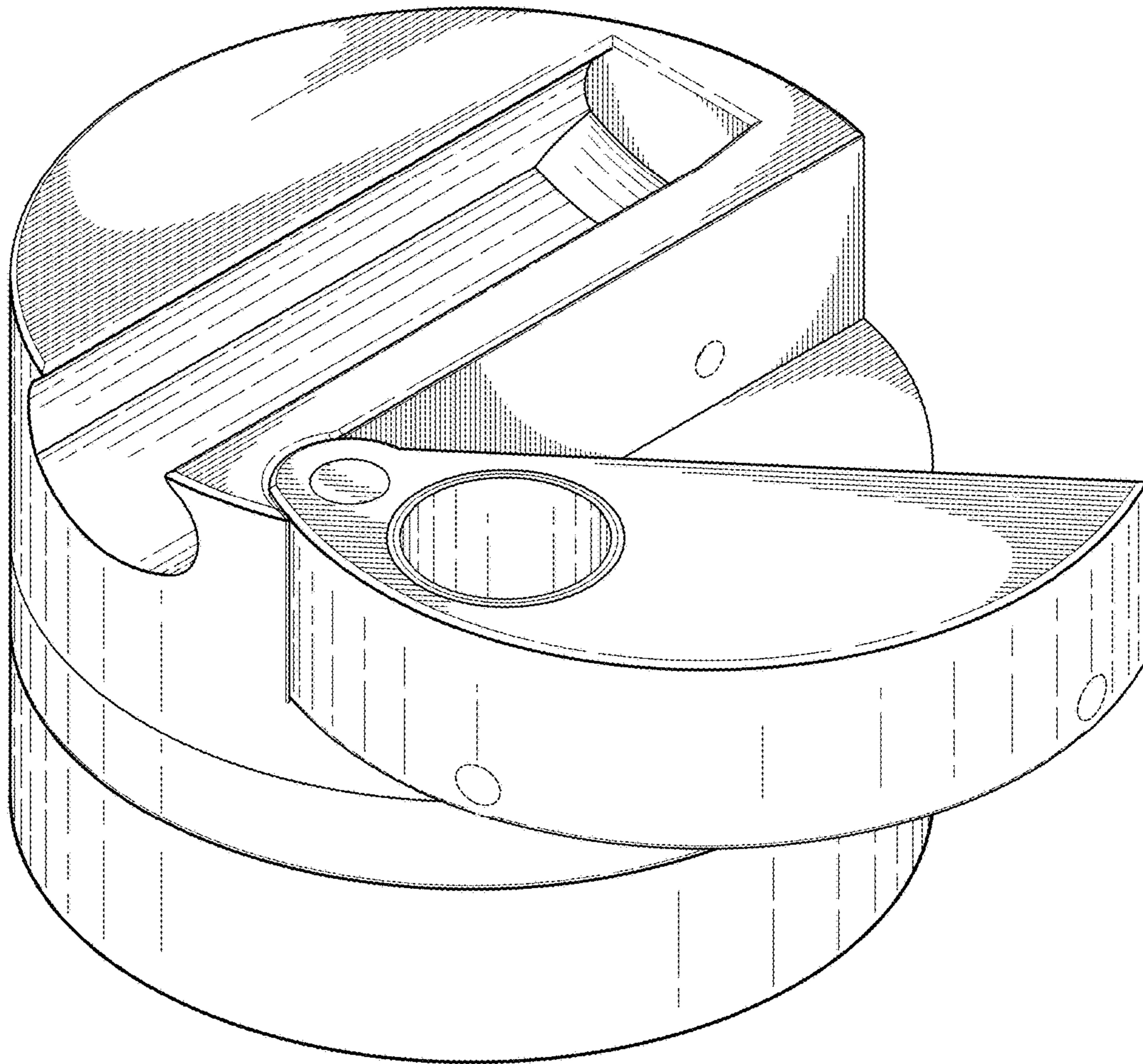


Fig. 10.

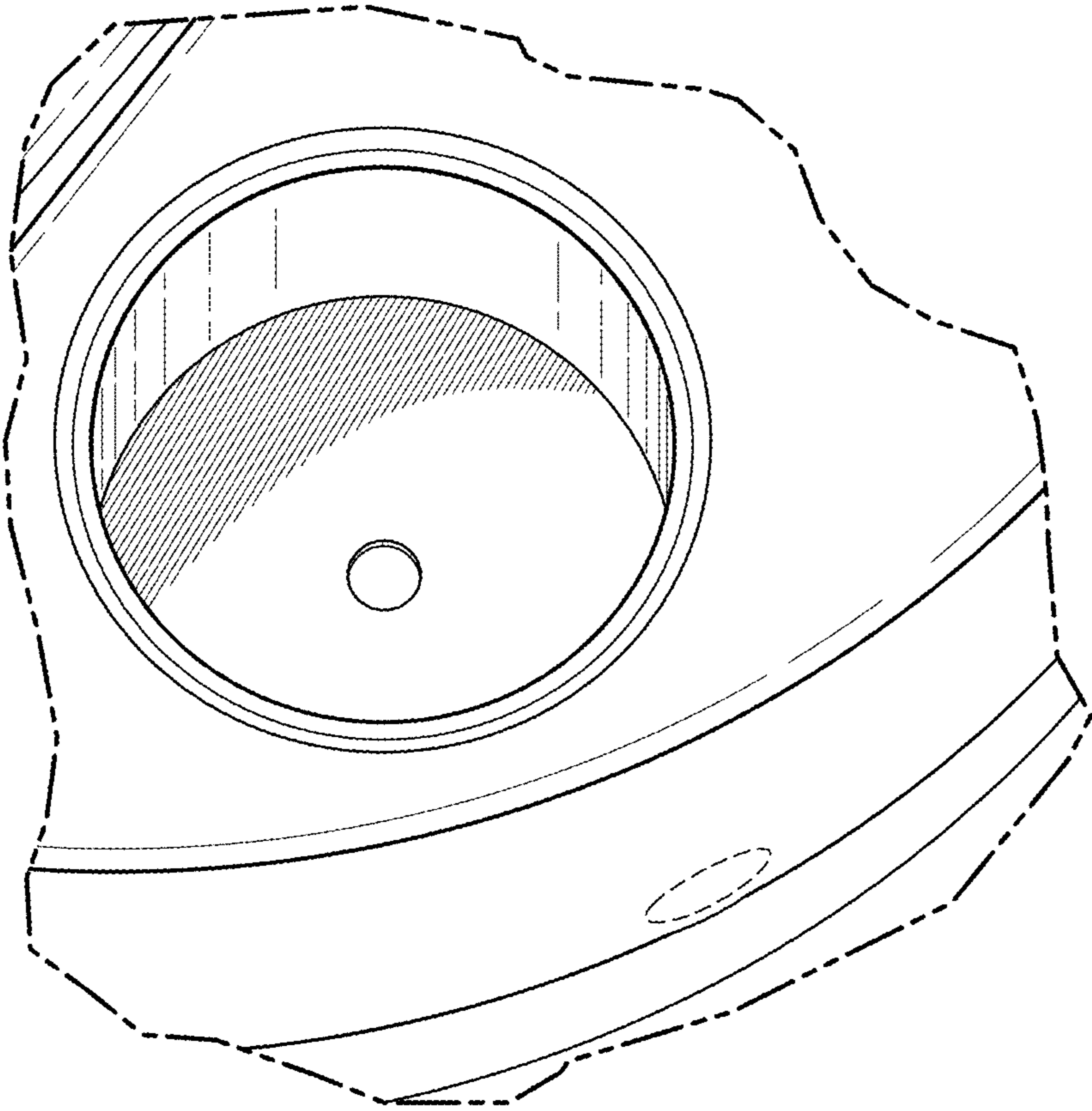


Fig. 11.