

US00D833670S

(12) **United States Design Patent** (10) **Patent No.:** **US D833,670 S**  
**Zhao** (45) **Date of Patent:** **\*\* Nov. 13, 2018**

- (54) **PROGRESSIVE FRESNEL LENS ELEMENT**
- (71) Applicant: **AMERLUX LLC**, Oakland, NJ (US)
- (72) Inventor: **Feng Zhao**, Oakland, NJ (US)
- (73) Assignee: **AMERLUX LLC**, Oakland, NJ (US)
- (\*\*) Term: **15 Years**
- (21) Appl. No.: **29/567,112**
- (22) Filed: **Jun. 6, 2016**
- (51) **LOC (11) Cl.** ..... **26-25**
- (52) **U.S. Cl.**  
USPC ..... **D26/142**; D16/136
- (58) **Field of Classification Search**  
USPC ..... D8/394, 354, 349; D6/580; D16/219,  
D16/130, 134, 136, 137; D13/122;  
D26/35, 72-74, 83, 90, 142  
CPC . G02B 7/00; G02B 7/02; G02B 7/001; G02B  
7/002; G02B 7/003; G02B 7/004; G02B  
7/005; G02B 7/006; G02B 7/007; G02B  
7/008; F21V 5/02; F21V 5/008; F21V  
7/04; F21V 7/041; F21V 7/043; F21V  
7/045; F21V 7/046; F21V 7/048; F21V  
7/05; F21V 7/06; F21V 7/07; F21V 7/08;  
F21V 7/09  
See application file for complete search history.

- (56) **References Cited**  
U.S. PATENT DOCUMENTS  
2,313,947 A \* 3/1943 Klinkum ..... G03B 35/20  
359/454  
D344,966 S \* 3/1994 Friedman ..... D16/136  
6,870,674 B2 \* 3/2005 Ookawa ..... G02B 5/045  
359/454  
D513,171 S \* 12/2005 Richardson ..... D25/133

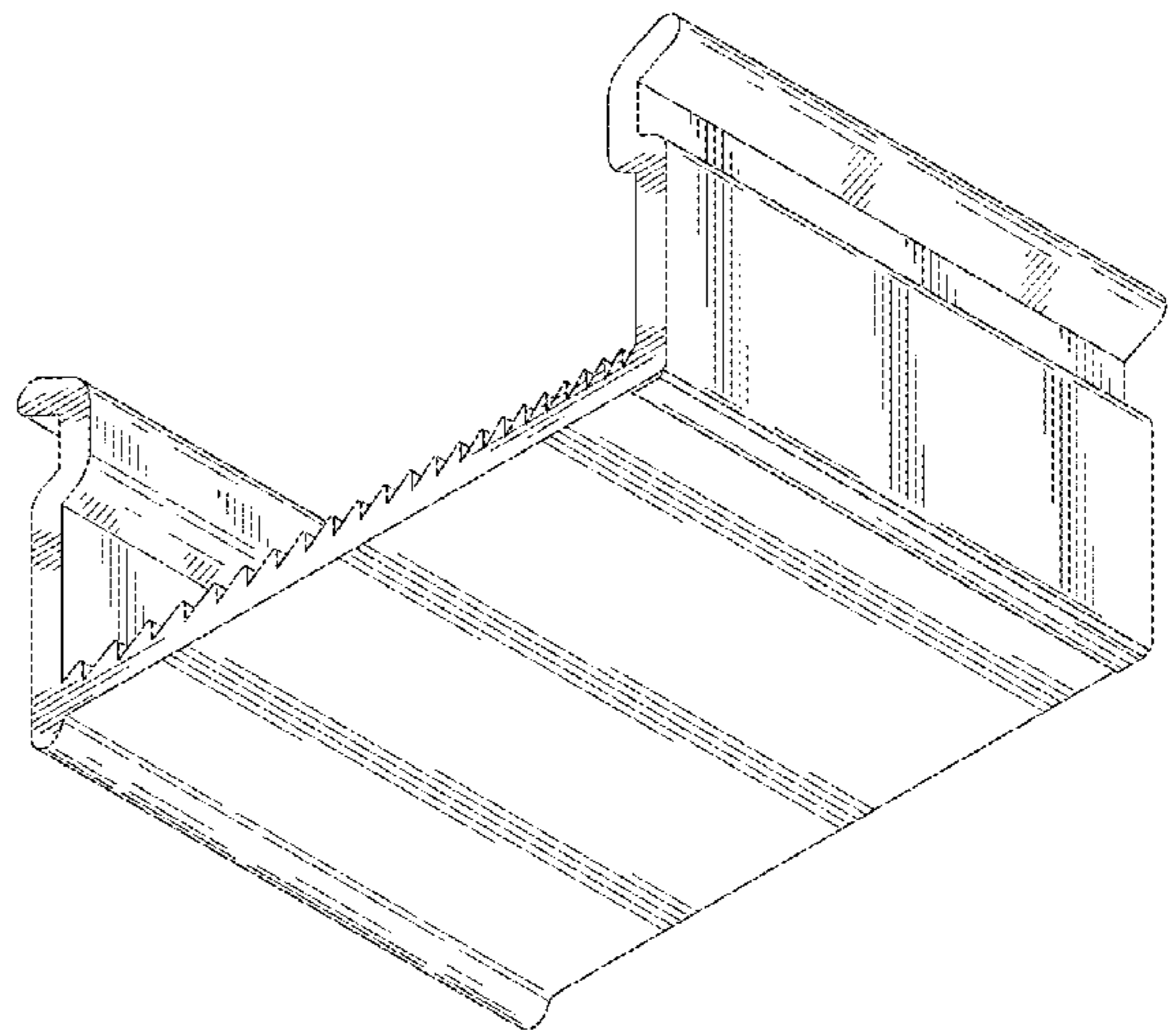
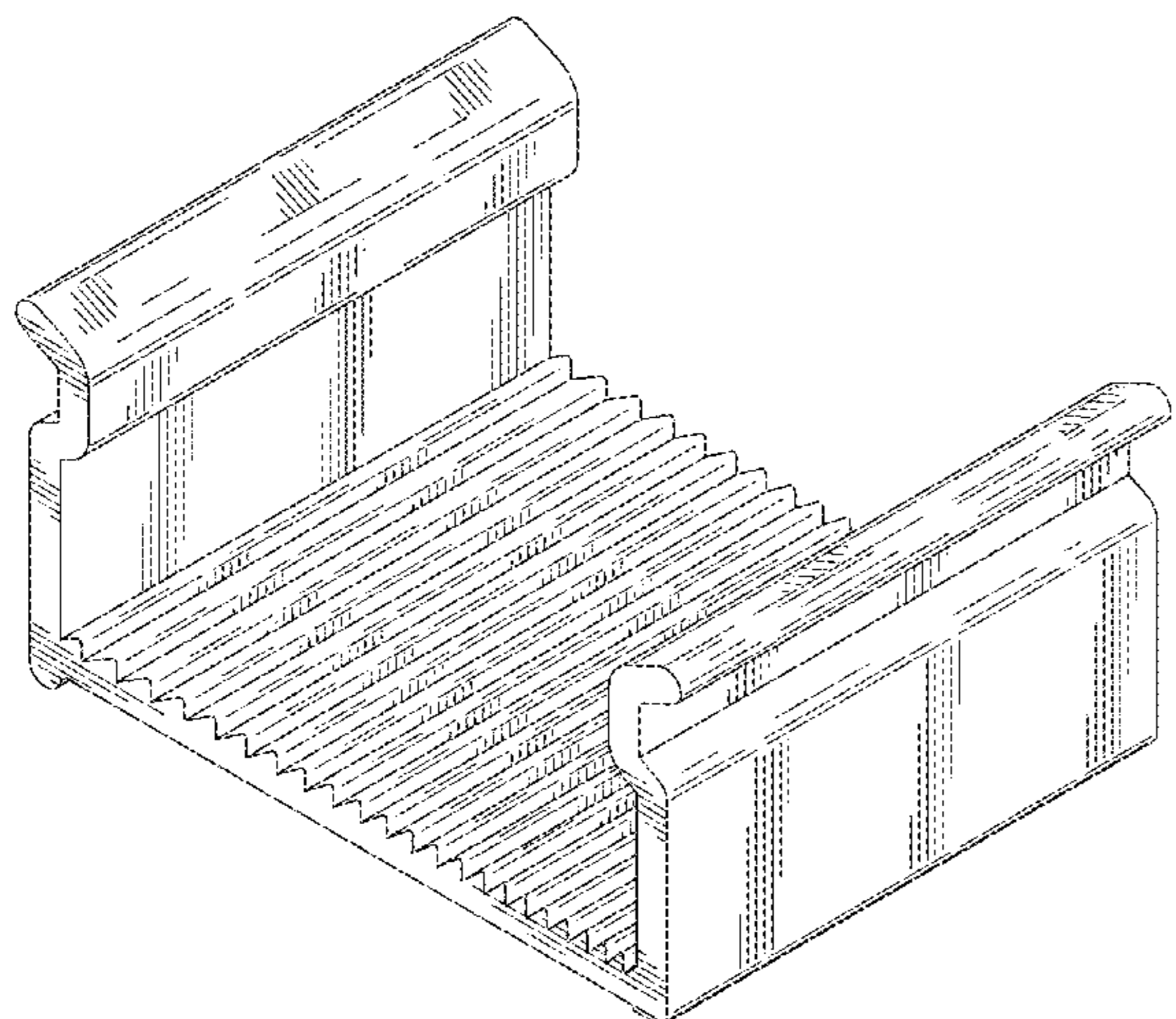
D556,016 S *	11/2007	Curtas	.....	D8/354
D572,116 S *	7/2008	Schaefer	.....	D14/229
D589,337 S *	3/2009	Karlsson	.....	D8/394
D614,218 S *	4/2010	Ominato	.....	D16/134
D617,360 S *	6/2010	Endo	.....	D16/134
D618,992 S *	7/2010	Rix	.....	D8/354
D622,993 S *	9/2010	Park	.....	D6/580
D645,865 S *	9/2011	Diehl	.....	D14/299
D651,631 S *	1/2012	Ovel	.....	D16/134
D654,350 S *	2/2012	Preda	.....	D8/354
D660,133 S *	5/2012	Yoder	.....	D8/354
D667,718 S *	9/2012	Preda	.....	D8/354
D758,968 S *	6/2016	El Zakhem	.....	D13/122
D774,874 S *	12/2016	Wentzel	.....	D8/349
D789,436 S *	6/2017	McCurry	.....	D16/134
D794,423 S *	8/2017	Moon	.....	D8/349

\* cited by examiner  
*Primary Examiner* — Manpreet S Matharu  
*Assistant Examiner* — Holly E Thurman  
(74) *Attorney, Agent, or Firm* — Day Pitney LLP

(57) **CLAIM**  
The ornamental design for a progressive fresnel lens element, as shown and described.

**DESCRIPTION**  
FIG. 1 is a top, right perspective for the progressive fresnel lens element;  
FIG. 2 is a top, left perspective view thereof;  
FIG. 3 is a top view thereof;  
FIG. 4 is a left side view thereof;  
FIG. 5 is a front end view thereof;  
FIG. 6 is a right side view thereof;  
FIG. 7 is a bottom left perspective view thereof;  
FIG. 8 is a bottom view thereof;  
FIG. 9 is a bottom right perspective view thereof; and,  
FIG. 10 is a rear end view thereof.

**1 Claim, 10 Drawing Sheets**



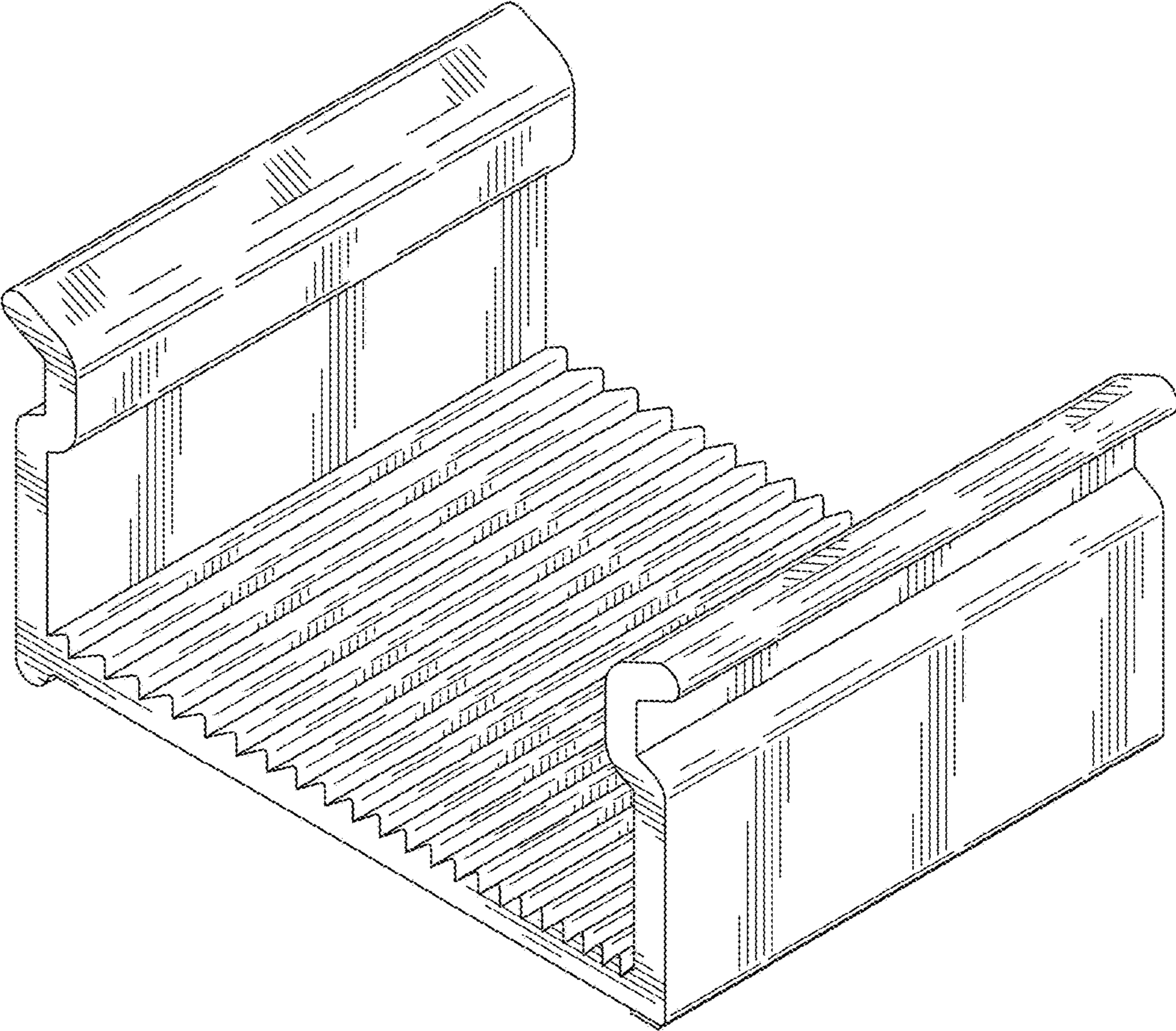


FIG. 1

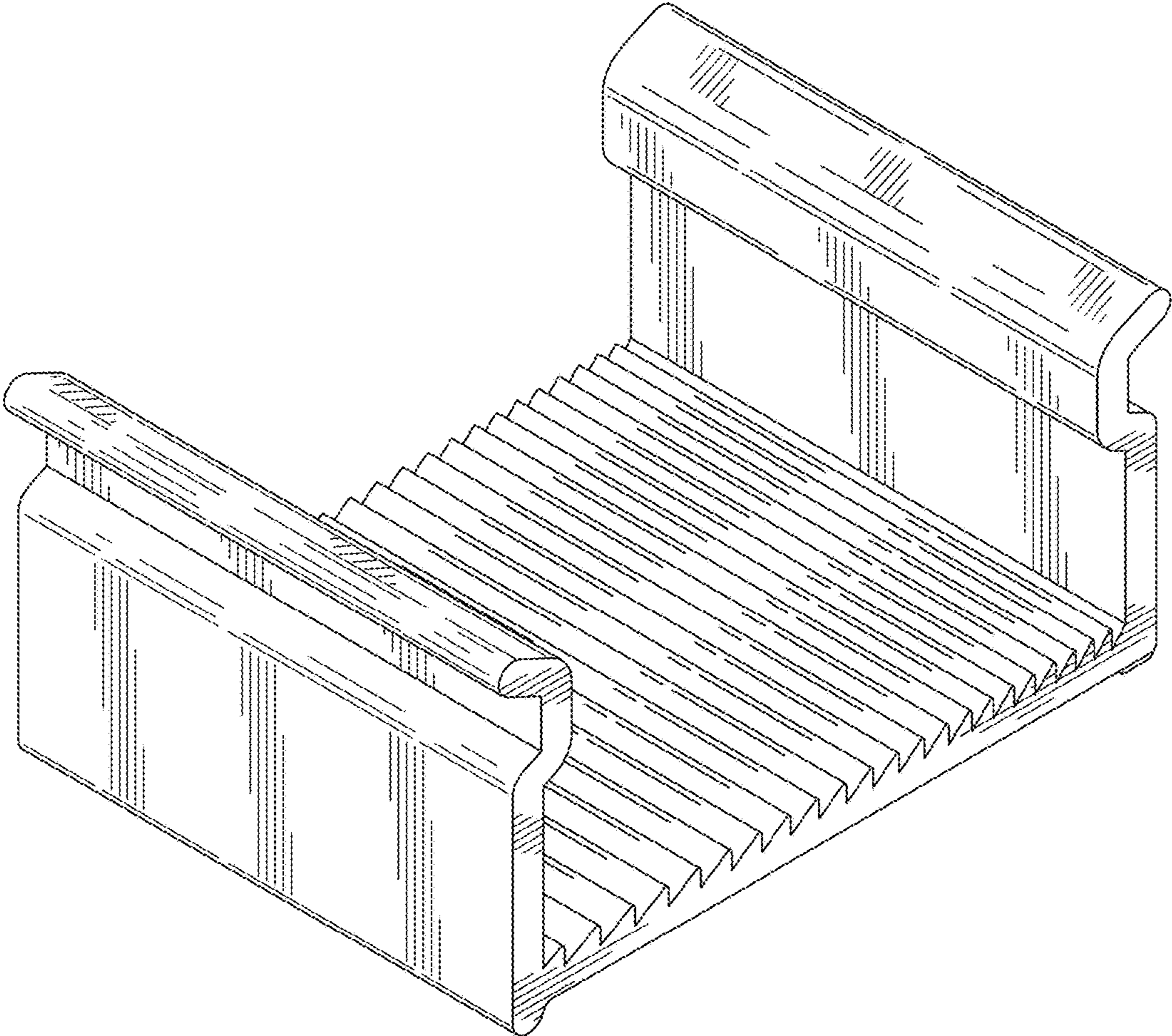


FIG. 2

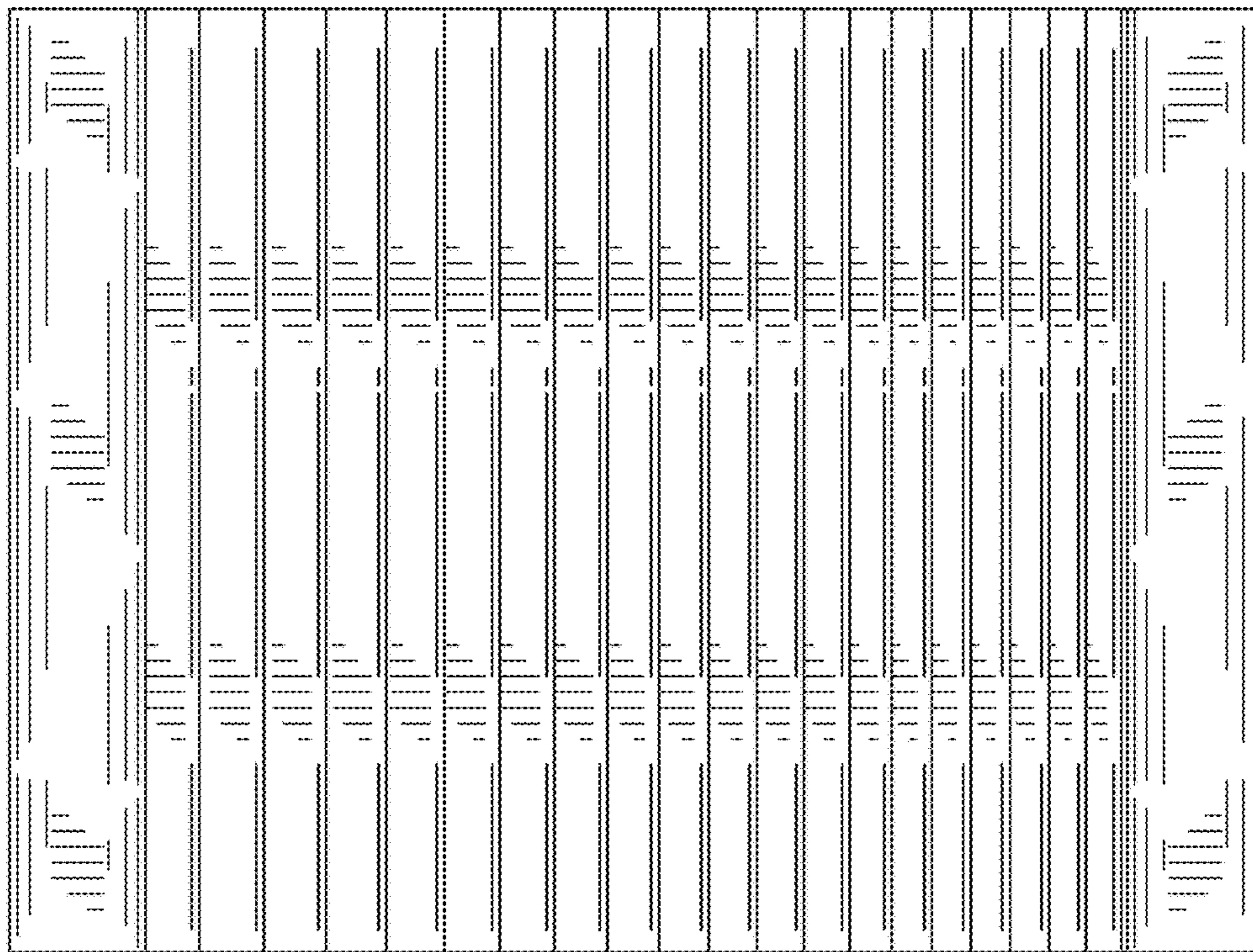


FIG. 3

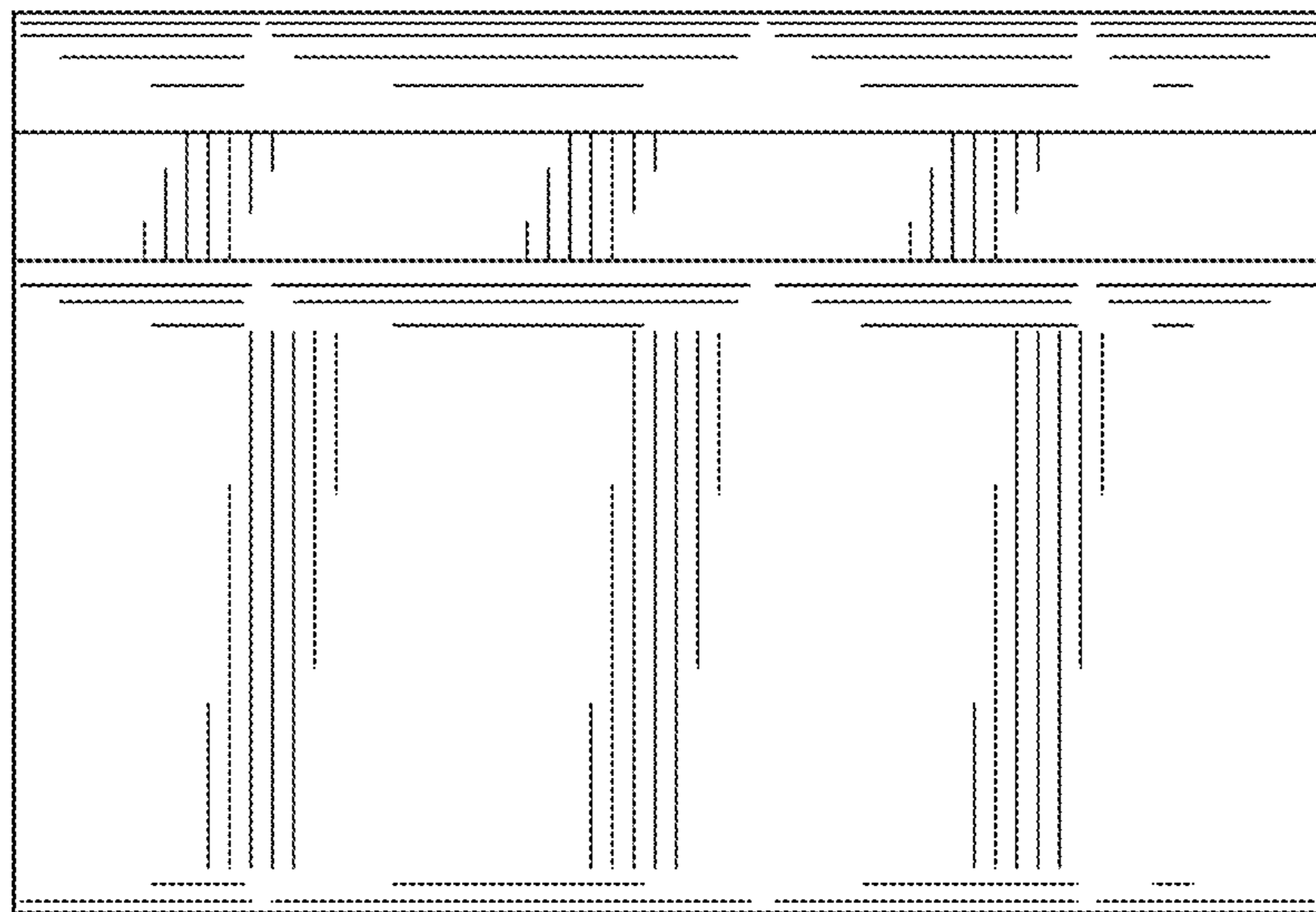


FIG. 4

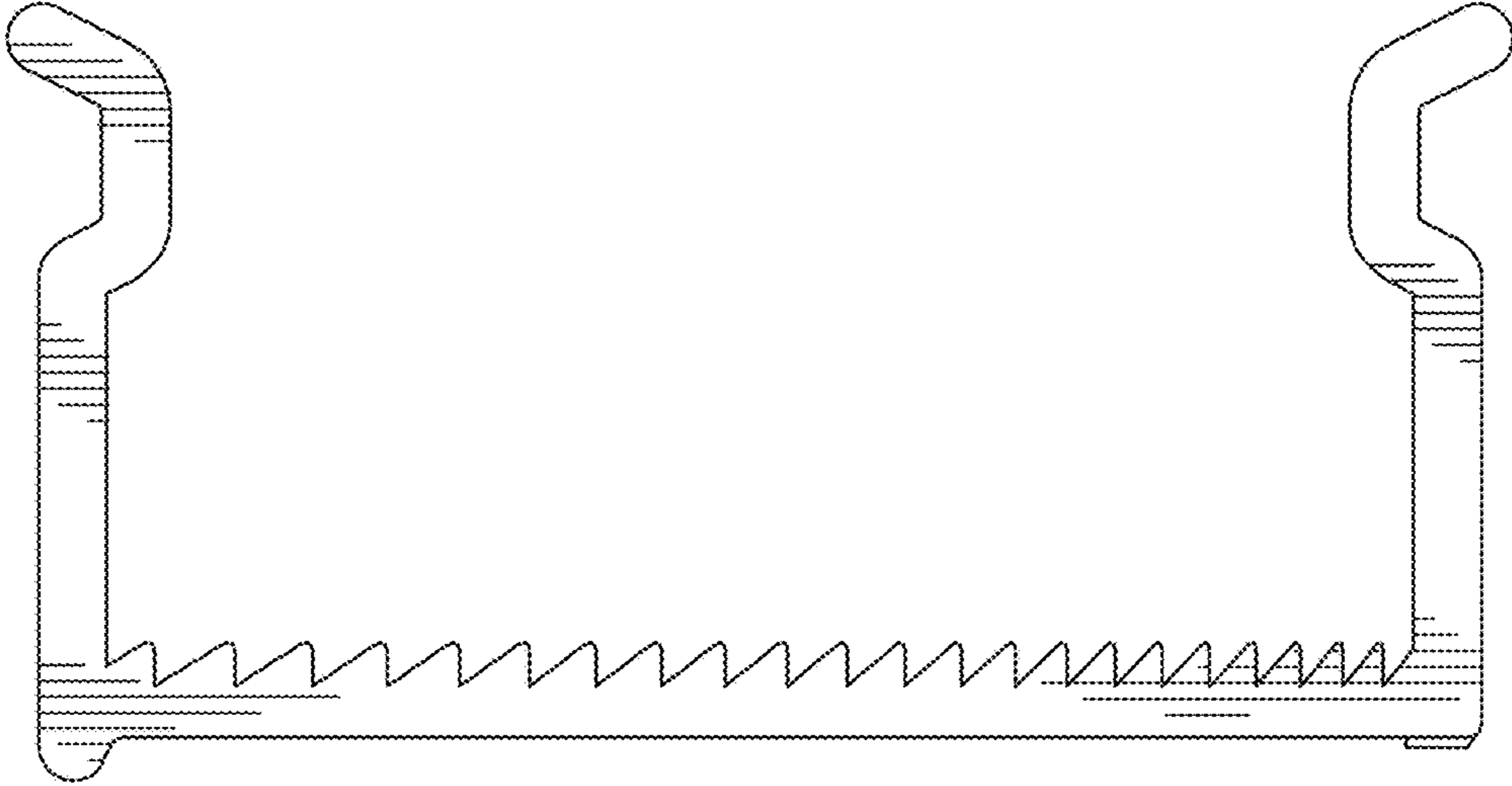


FIG. 5

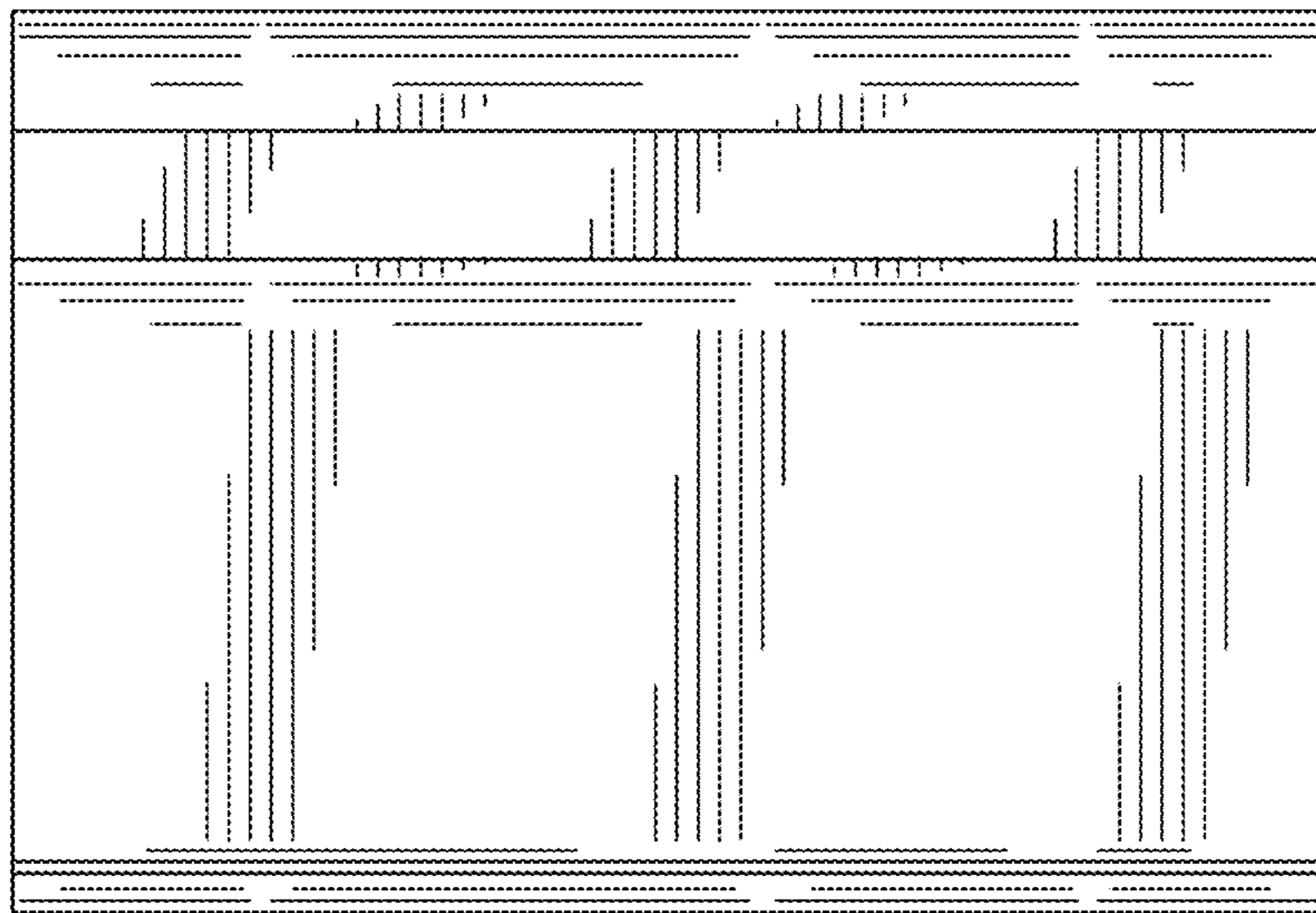


FIG. 6

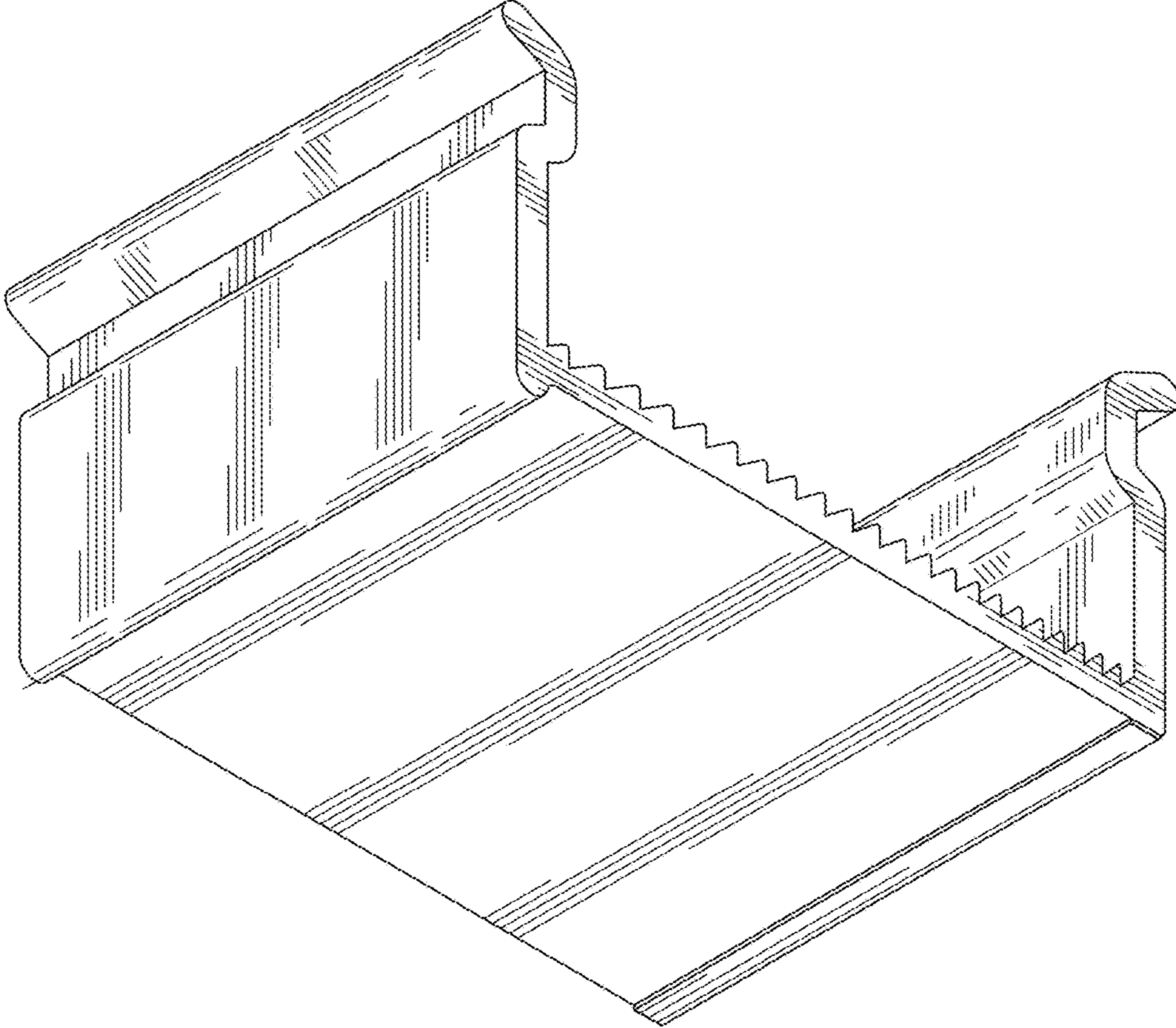


FIG. 7





FIG. 8

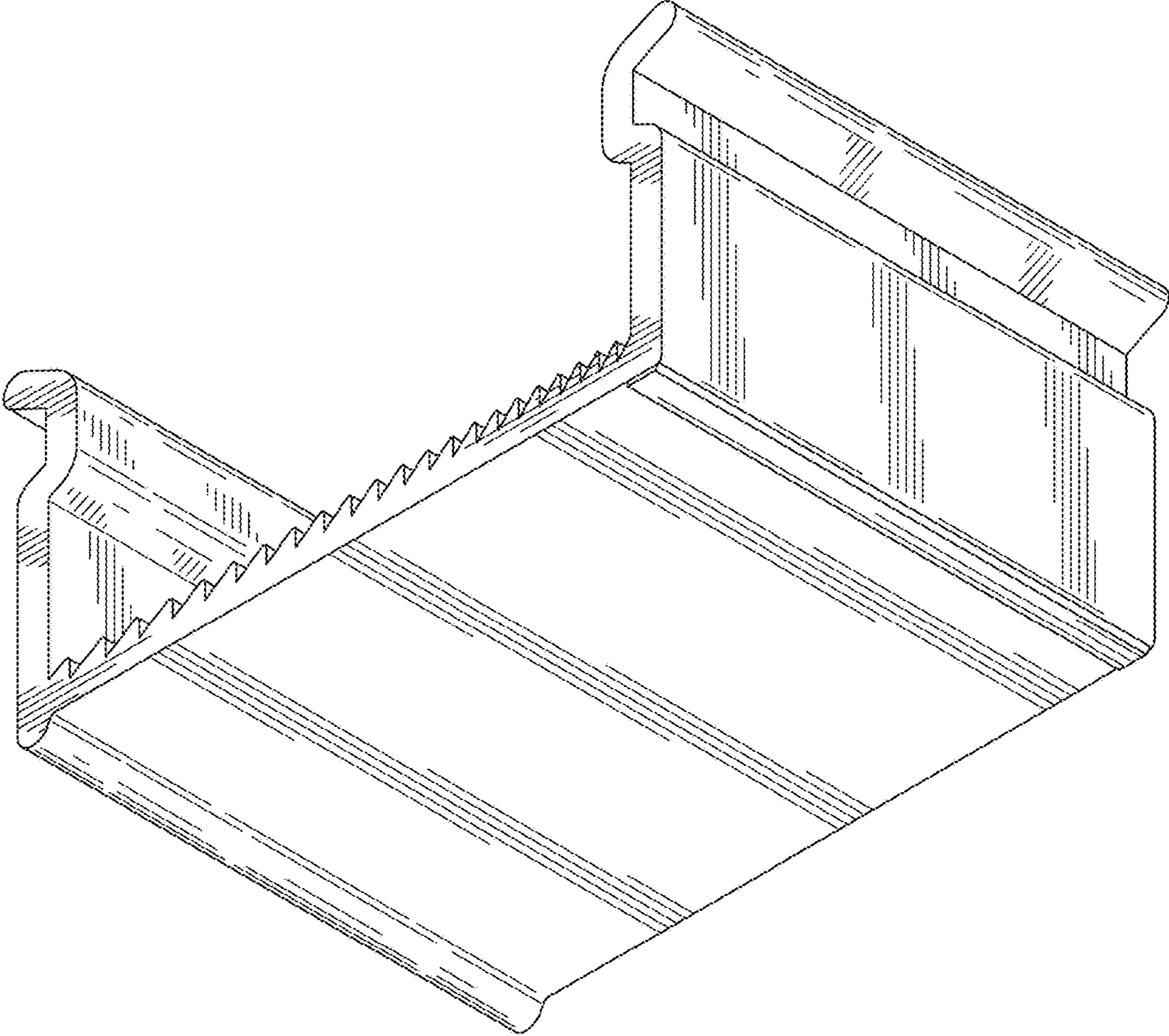


FIG. 9

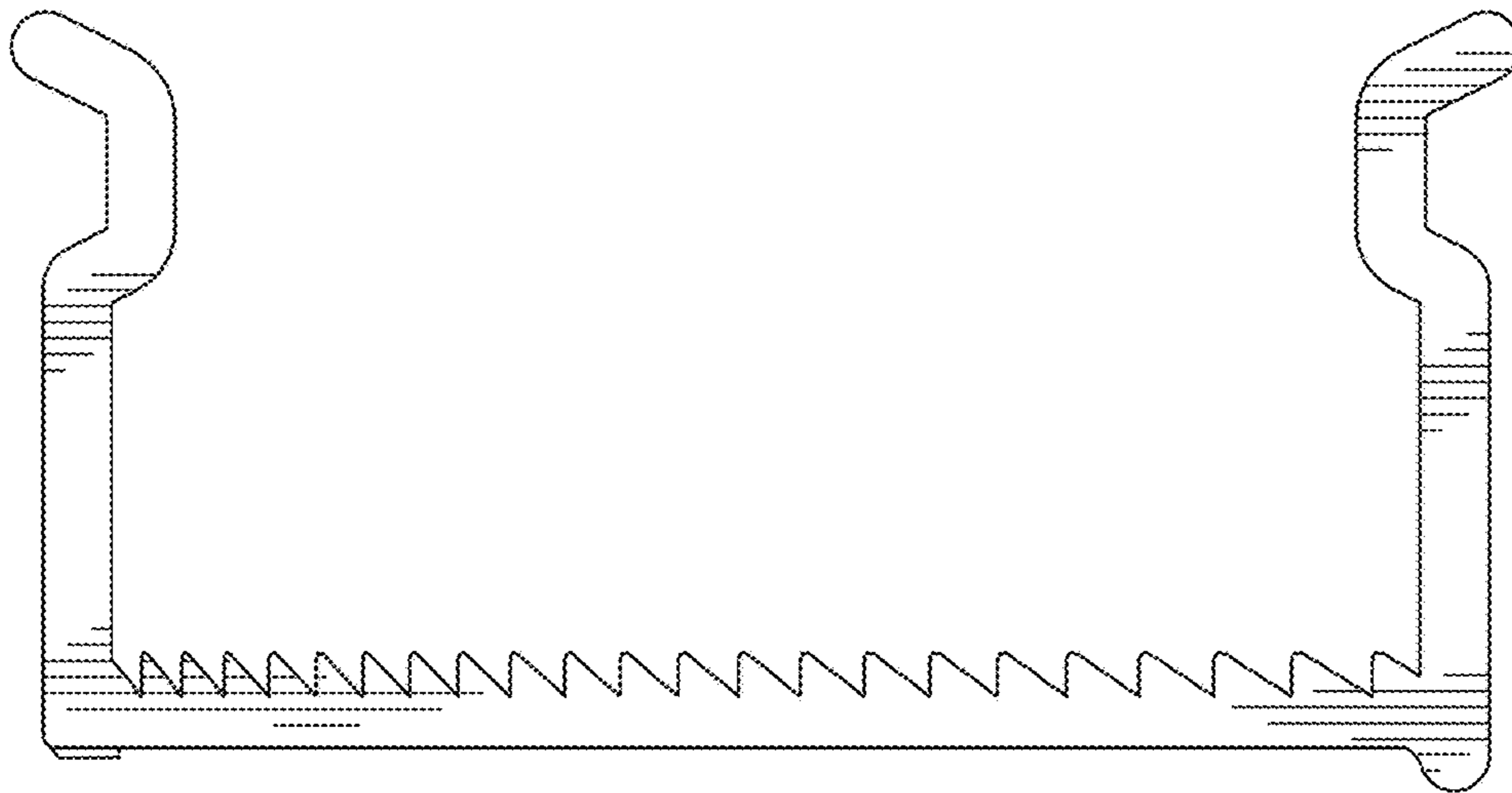


FIG. 10