



US00D833669S

(12) **United States Design Patent**
Silvonen

(10) **Patent No.:** **US D833,669 S**

(45) **Date of Patent:** **** Nov. 13, 2018**

(54) **DENTAL OPERATING LIGHT HEAD**

(71) Applicant: **PLANMECA OY**, Helsinki (FI)

(72) Inventor: **Timo Silvonen**, Helsinki (FI)

(**) Term: **15 Years**

(21) Appl. No.: **35/503,680**

(22) Filed: **Mar. 17, 2017**

(80) **Hague Agreement Data**

Int. Filing Date: **Mar. 17, 2017**

Int. Reg. No.: **DM/095728**

Int. Reg. Date: **Mar. 17, 2017**

Int. Reg. Pub. Date: **Sep. 22, 2017**

(51) **LOC (11) Cl.** **26-05**

(52) **U.S. Cl.**
USPC **D26/89**

(58) **Field of Classification Search**

USPC D26/3, 28, 76, 78-83, 85, 86, 88-90, 93,
D26/111, 113, 118, 119, 120, 121, 122,
D26/138, 139, 140, 141, 142, 152

CPC F21S 2/00; F21S 4/00; F21S 4/003; F21S
4/005; F21S 4/006; F21S 4/007; F21S
4/008; F21S 6/00; F21S 8/00; F21S
8/024; F21S 8/026; F21S 8/031; F21S
8/033; F21S 8/035-8/037; F21S 8/04;
F21S 8/043; F21S 8/063

See application file for complete search history.

(56) **References Cited**

U.S. PATENT DOCUMENTS

D217,497 S * 5/1970 Valeska et al. D26/61
D264,508 S * 5/1982 Williams D26/61

D274,265 S * 6/1984 Gorbahn D26/37
D377,227 S * 1/1997 Nordstrom D26/65
D477,104 S * 7/2003 Wang D26/89
7,207,694 B1 * 4/2007 Petrick F21V 5/048
362/240
D586,026 S * 2/2009 Hanson D26/61
D607,142 S * 12/2009 Alvarez D26/118
D622,897 S * 8/2010 Unsworth D26/124
D634,055 S * 3/2011 Hokazono D26/89
D641,098 S * 7/2011 Wildner D26/89
D663,886 S * 7/2012 Alvarez D26/118
D663,887 S * 7/2012 Alvarez D26/120
D713,080 S * 9/2014 Giaffreda D26/65
D739,585 S * 9/2015 Chun D26/38

* cited by examiner

Primary Examiner — George D. Kirschbaum

Assistant Examiner — Natasha Vujcic

(57) **CLAIM**

The ornamental design for dental operating light head, as shown and described.

DESCRIPTION

1. Dental operating light head

1.1 : Perspective

1.2 : Perspective

1.3 : Front

1.4 : Back

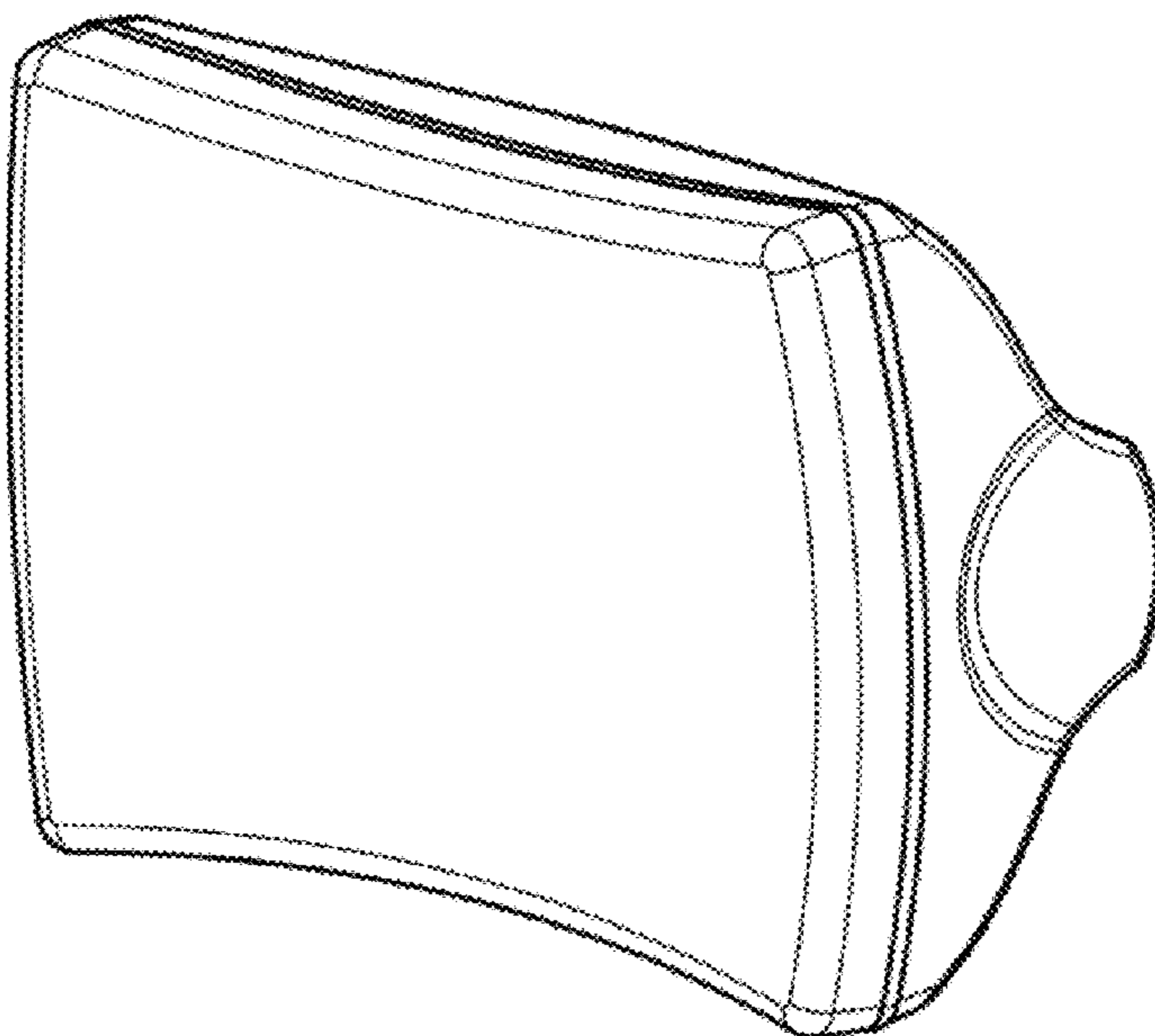
1.5 : Left

1.6 : Right

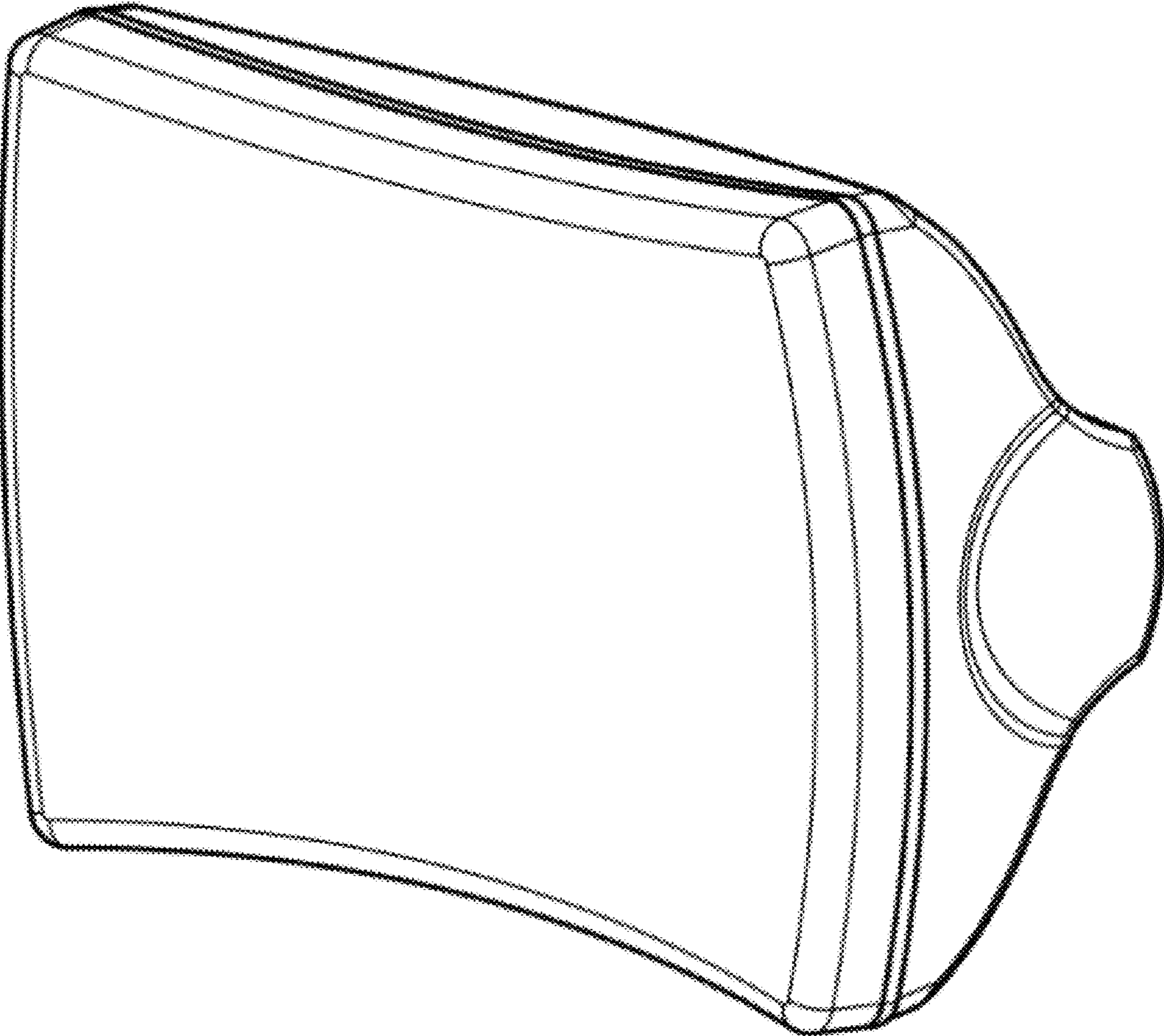
1.7 : Top

1.8 : Bottom

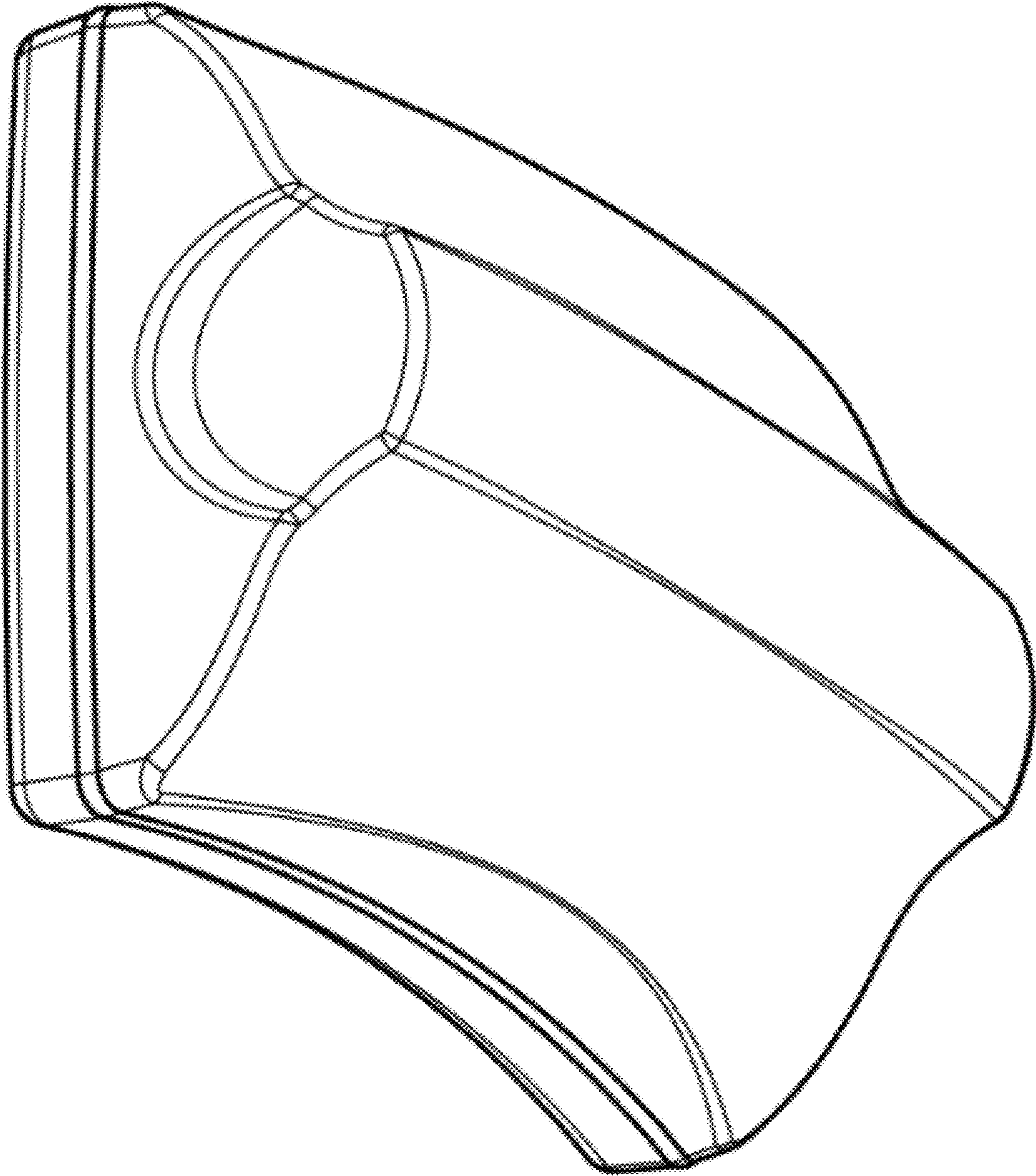
1 Claim, 8 Drawing Sheets



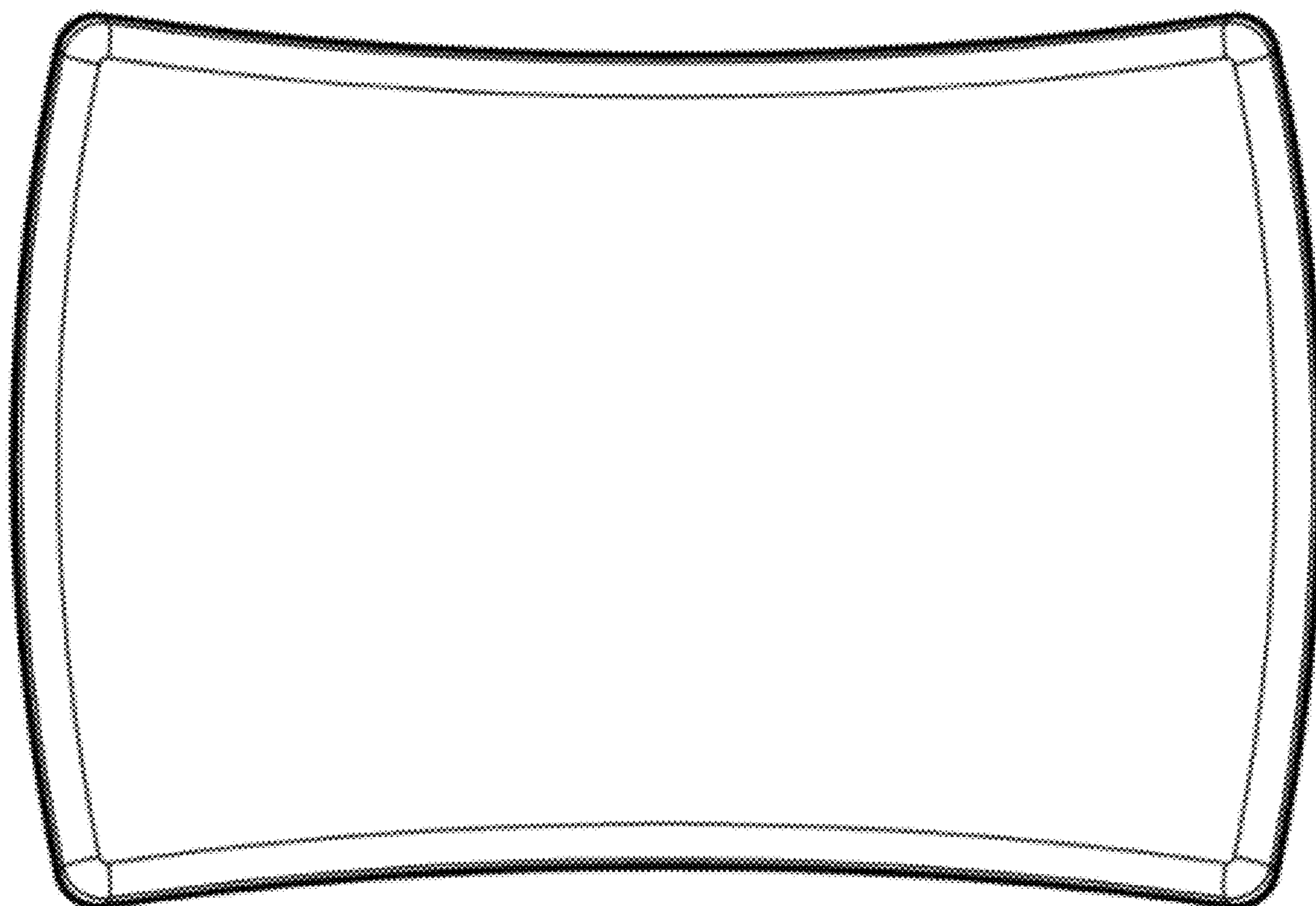
1.1



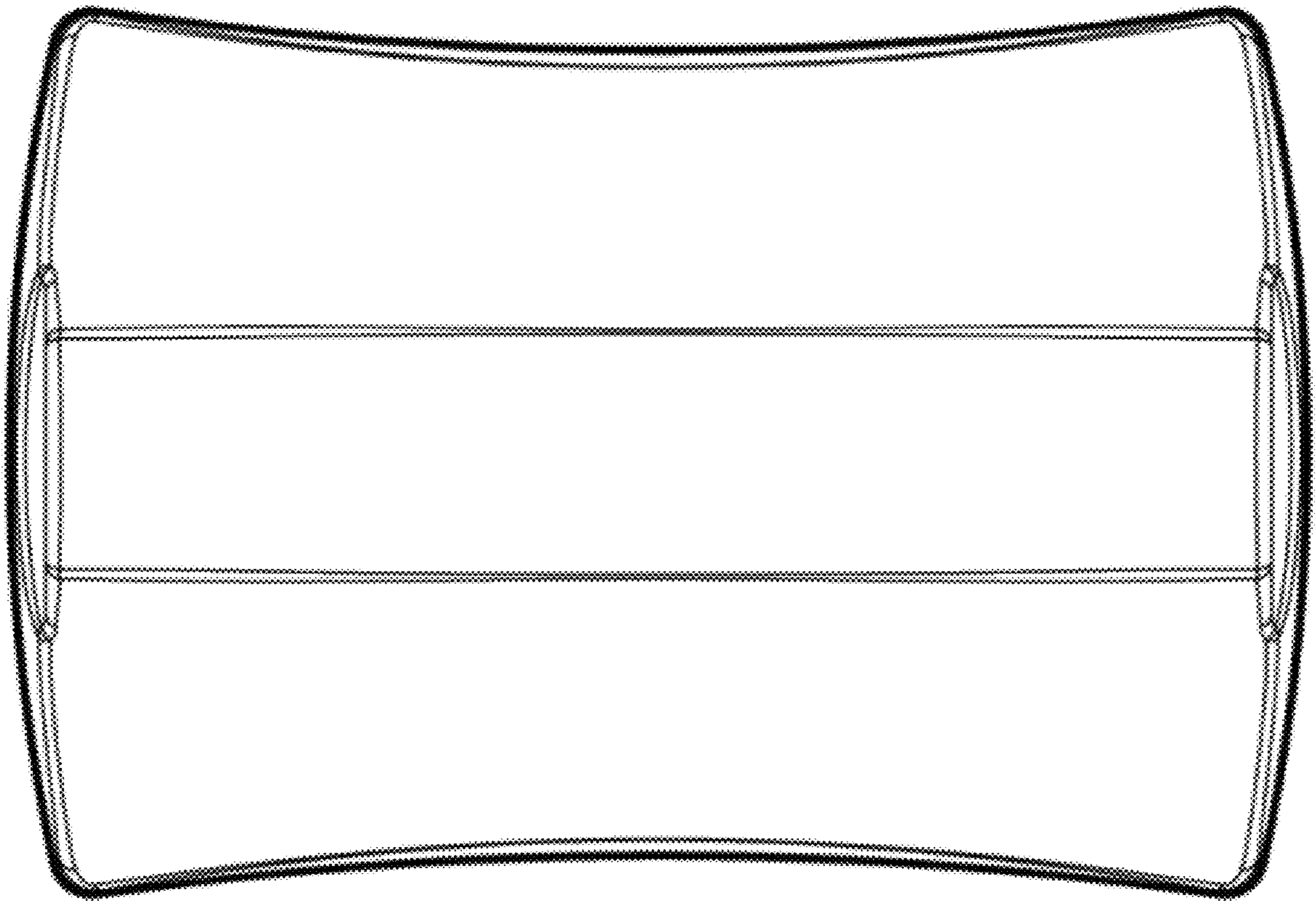
1.2



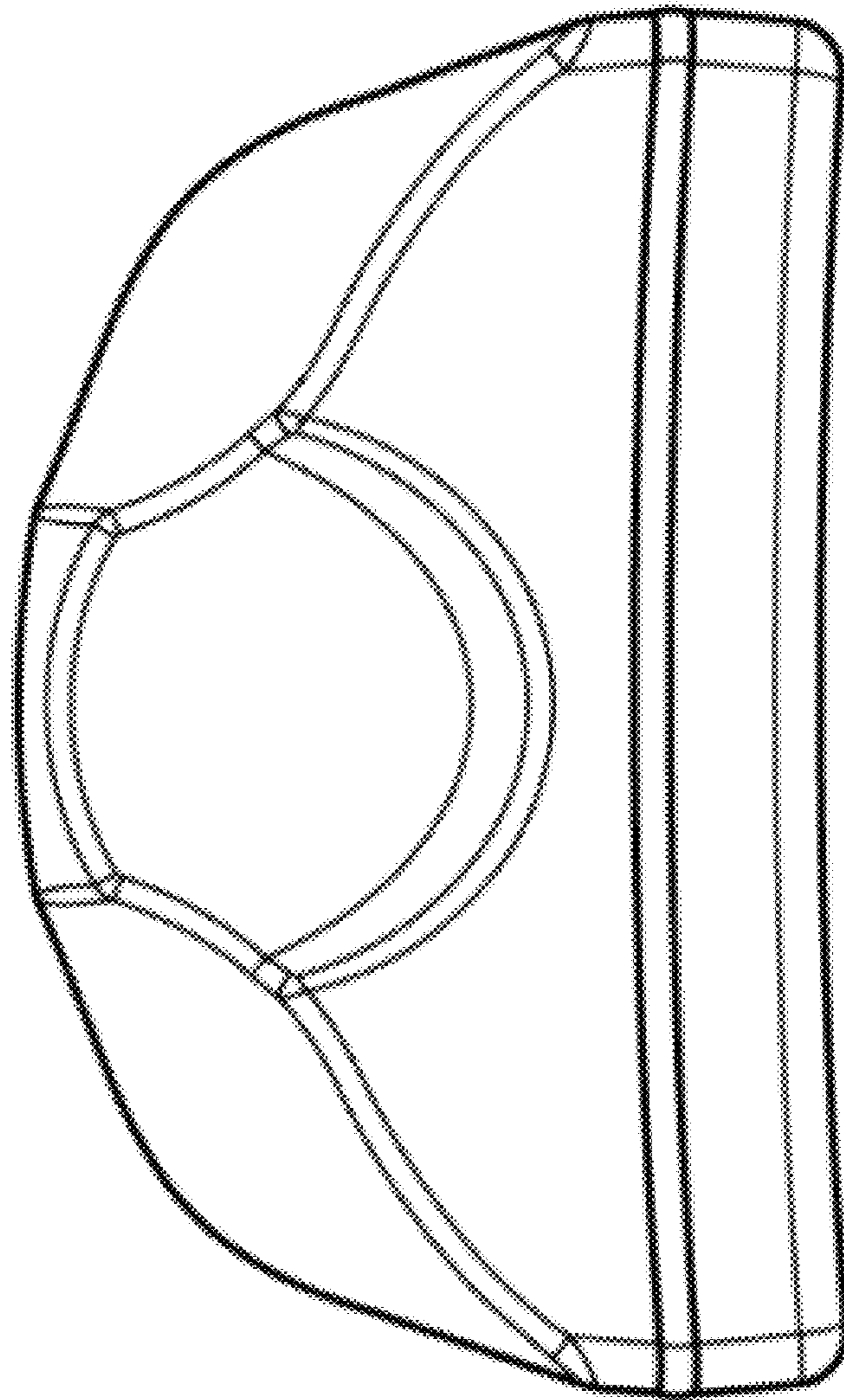
1.3



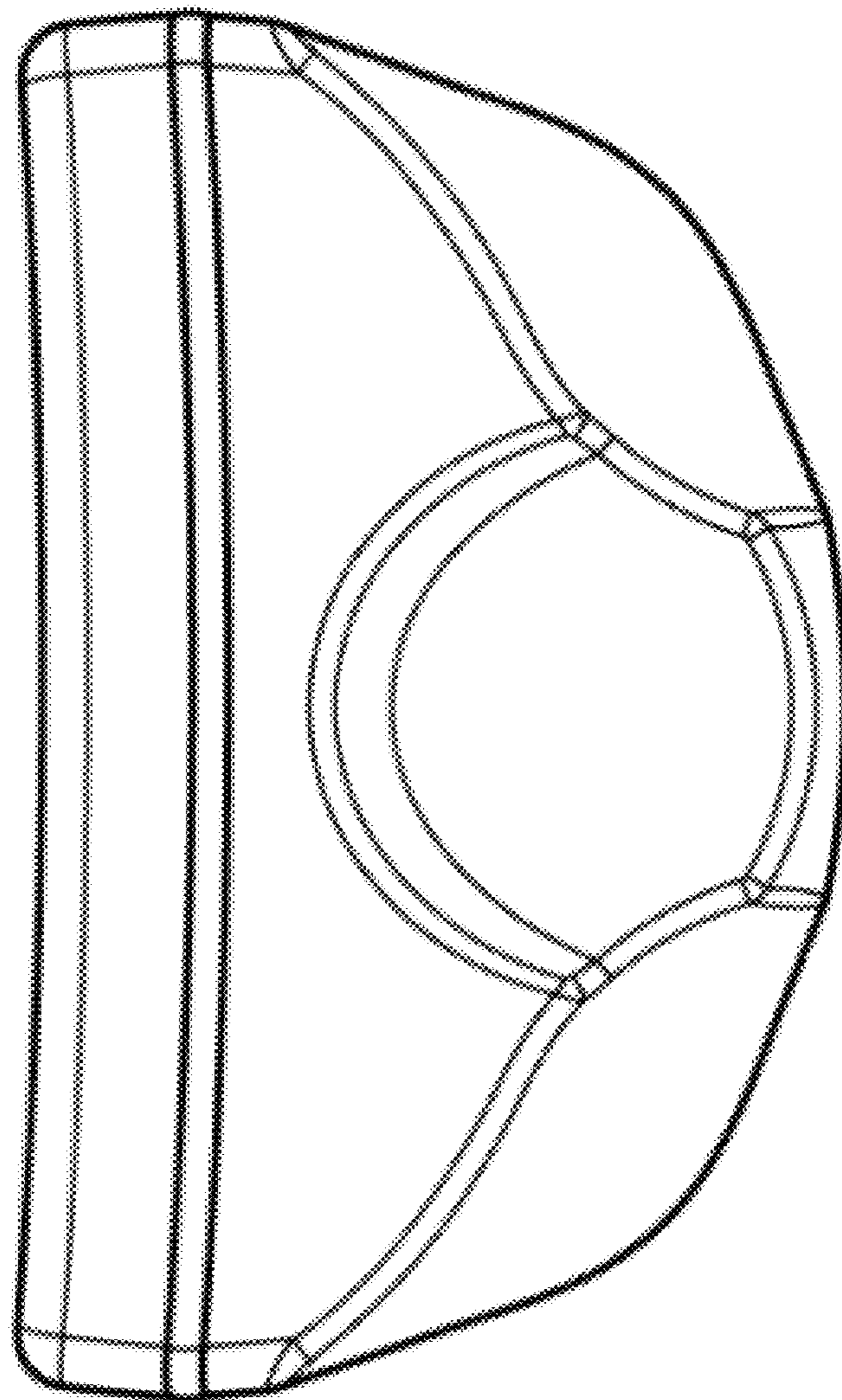
1.4



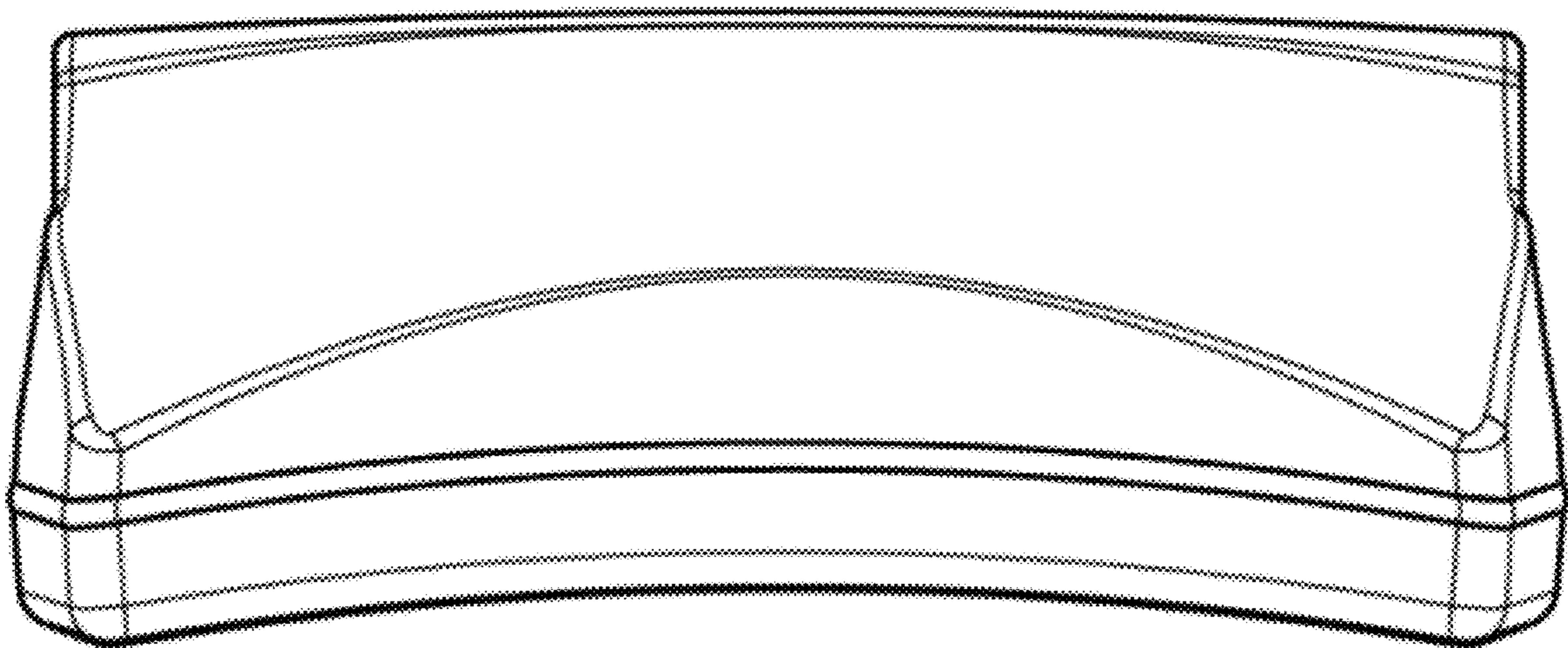
1.5



1.6



1.7



1.8

