



US00D833668S

(12) **United States Design Patent** (10) **Patent No.:** **US D833,668 S**  
**Zhou** (45) **Date of Patent:** **\*\* Nov. 13, 2018**

(54) **LIGHTING INSTRUMENT**

(71) Applicant: **ZHENG DONG LIGHTING CO., LTD.**, Foshan (CN)

(72) Inventor: **Xing-Dong Zhou**, Foshan (CN)

(73) Assignee: **Zheng Dong Lighting Co., Ltd.**, Guangdong (CN)

(\*\*) Term: **15 Years**

(21) Appl. No.: **29/599,905**

(22) Filed: **Apr. 7, 2017**

(51) **LOC (11) Cl.** ..... **26-05**

(52) **U.S. Cl.**  
USPC ..... **D26/89**

(58) **Field of Classification Search**  
USPC ..... D26/28, 35, 72, 74, 79–81, 83, 85, 86,  
D26/88, 89, 91, 118–122, 130, 131  
CPC ..... F21S 8/02; F21S 8/03; F21S 8/04; F21S  
8/033; F21S 8/043; F21V 21/02  
See application file for complete search history.

(56) **References Cited**

**U.S. PATENT DOCUMENTS**

D432,709 S *	10/2000	Hsu	.....	D26/128
D514,733 S *	2/2006	Benensohn	.....	D26/89
D540,957 S *	4/2007	Mama	.....	D26/2
D656,264 S *	3/2012	Janssen	.....	D26/85
D773,103 S *	11/2016	Recker	.....	D26/89
D783,883 S *	4/2017	Cortez	.....	D26/89
D803,459 S *	11/2017	Wright	.....	D26/88
2015/0138832 A1 *	5/2015	Tickner	.....	F21V 21/03 362/609

**OTHER PUBLICATIONS**

Varaluz Swirled 15 1/2"W French Feather Glass Ceiling Light (available online) Retrieved from the internet Jun. 4, 2018 from URL: [https://www.lampsplus.com/products/varaluz-swirled-15-and-one-half-inchw-french-feather-glass-ceiling-light\\_31g87.html](https://www.lampsplus.com/products/varaluz-swirled-15-and-one-half-inchw-french-feather-glass-ceiling-light_31g87.html).\*

\* cited by examiner

*Primary Examiner* — Kevin K Rudzinski

*Assistant Examiner* — Richard Kearney

(74) *Attorney, Agent, or Firm* — Rosenberg, Klein & Lee

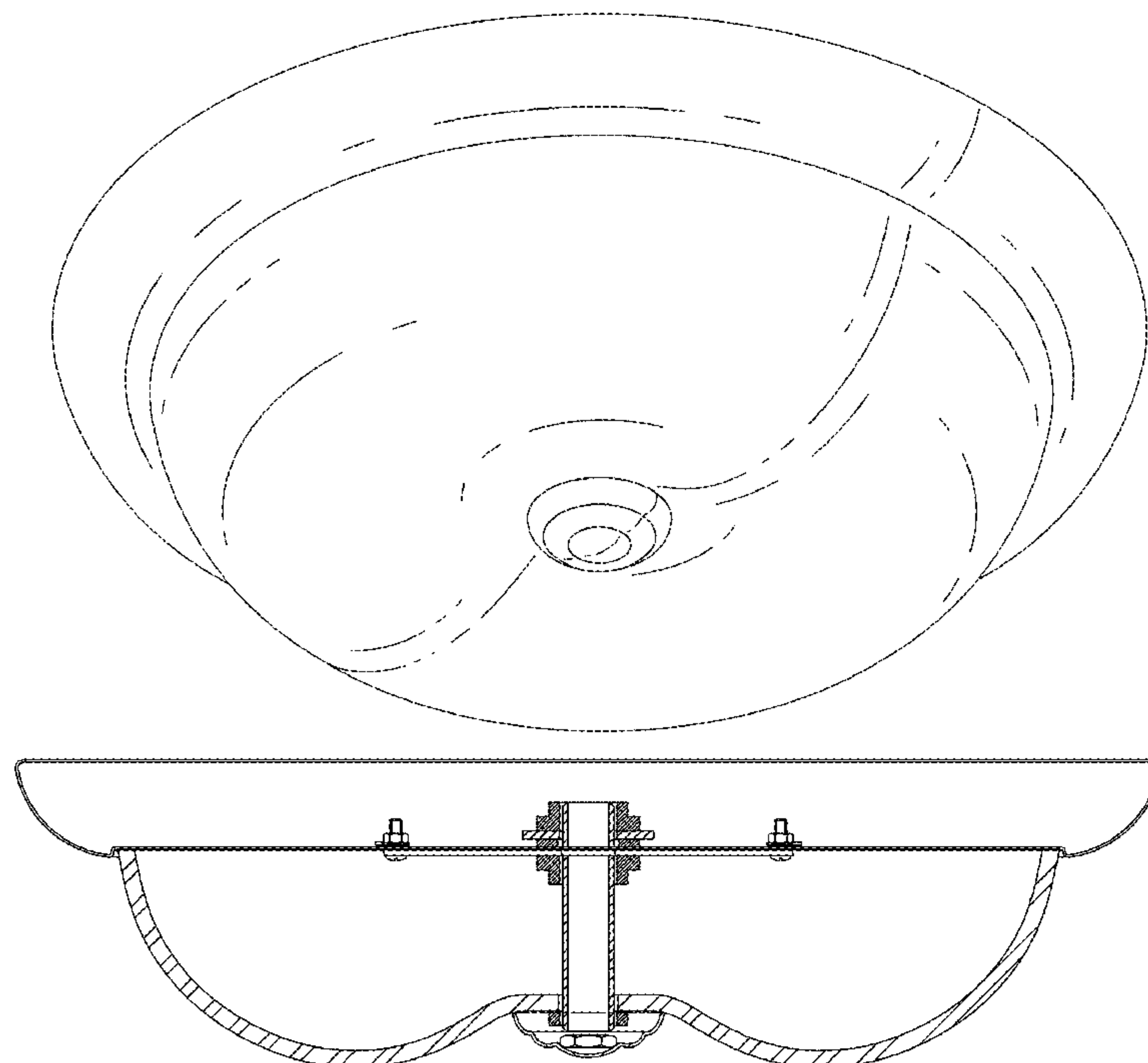
(57) **CLAIM**

The ornamental design for a lighting instrument, as shown and described.

**DESCRIPTION**

FIG. 1 is a perspective view of a lighting instrument showing my new design;  
FIG. 2 is a front view thereof;  
FIG. 3 is a back view thereof;  
FIG. 4 is a left side view thereof;  
FIG. 5 is a right side view thereof;  
FIG. 6 is a top view thereof;  
FIG. 7 is a bottom view thereof.  
FIG. 8 is another top view thereof identifying the surface plan of the section view shown in FIG. 9; and,  
FIG. 9 is a cross sectional view taken along line 9-9 of FIG. 8.

**1 Claim, 9 Drawing Sheets**



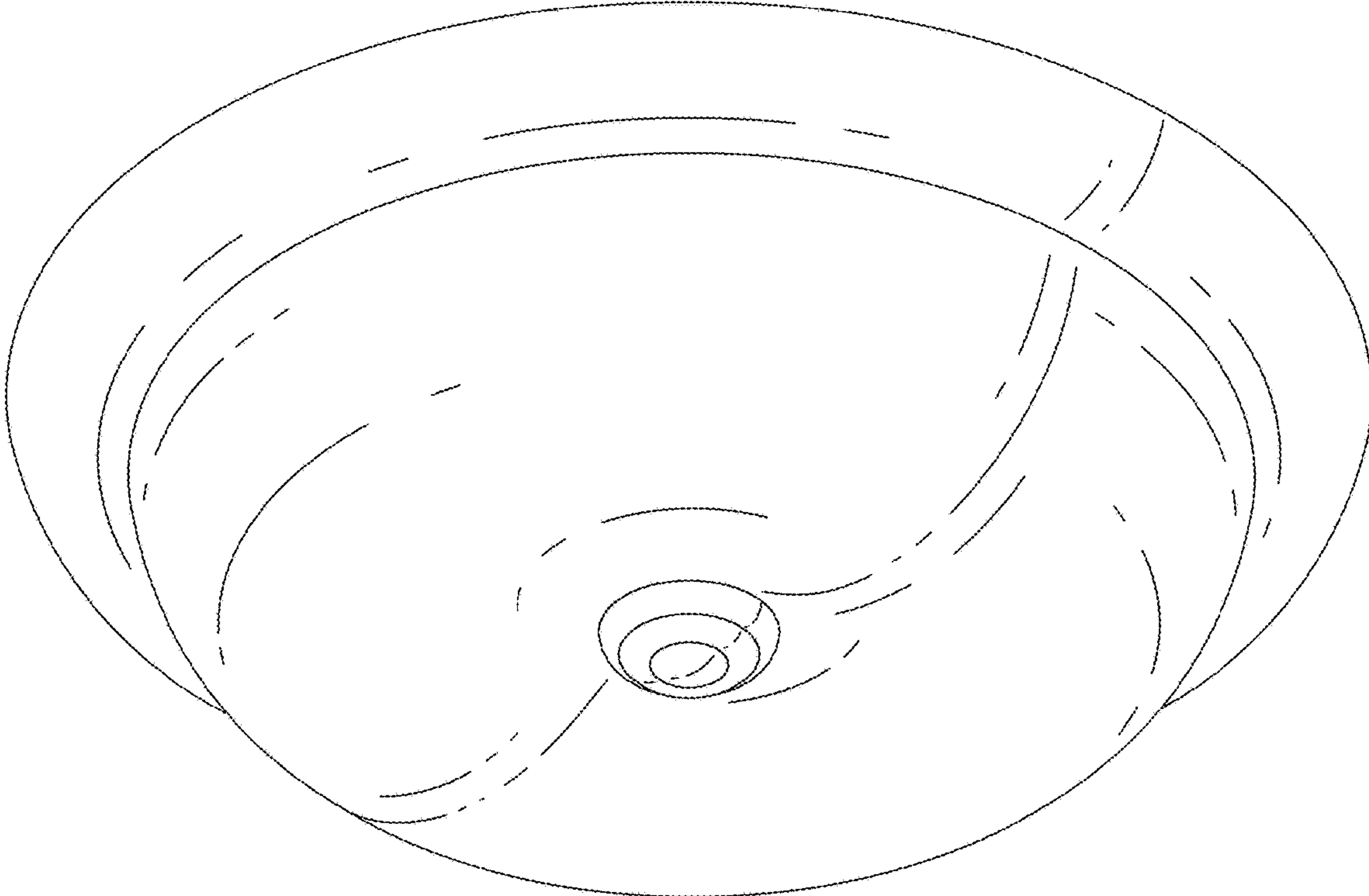


FIG. 1

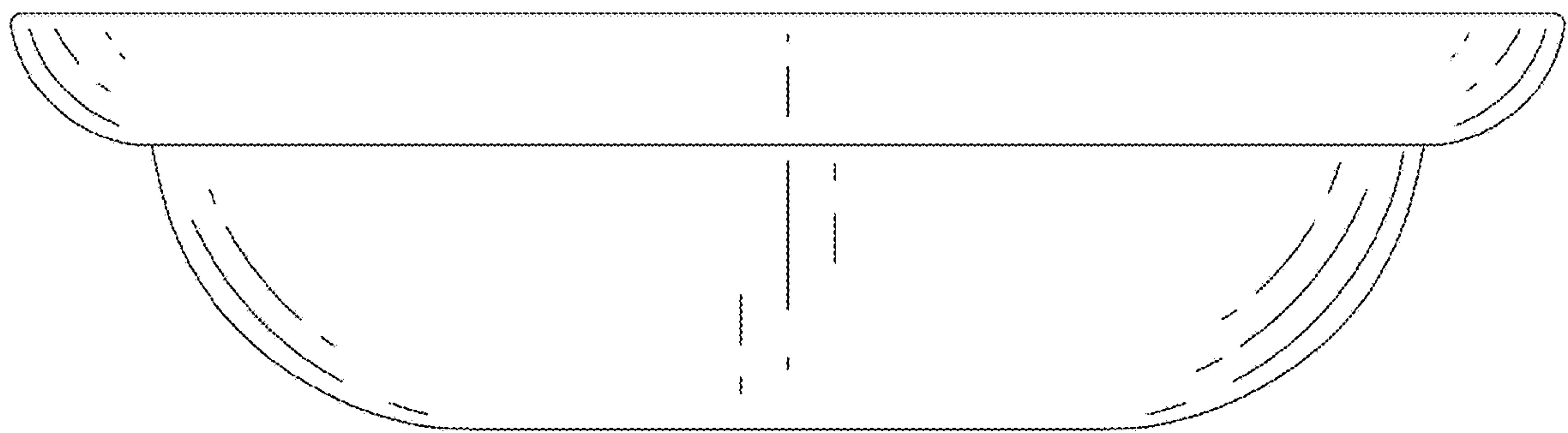


FIG. 2

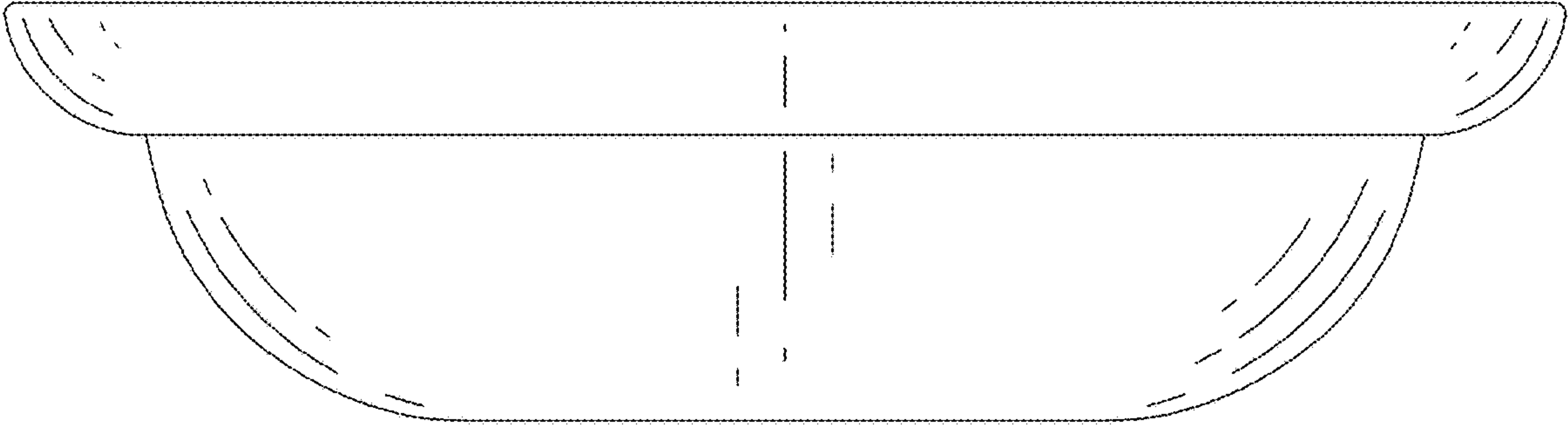


FIG. 3

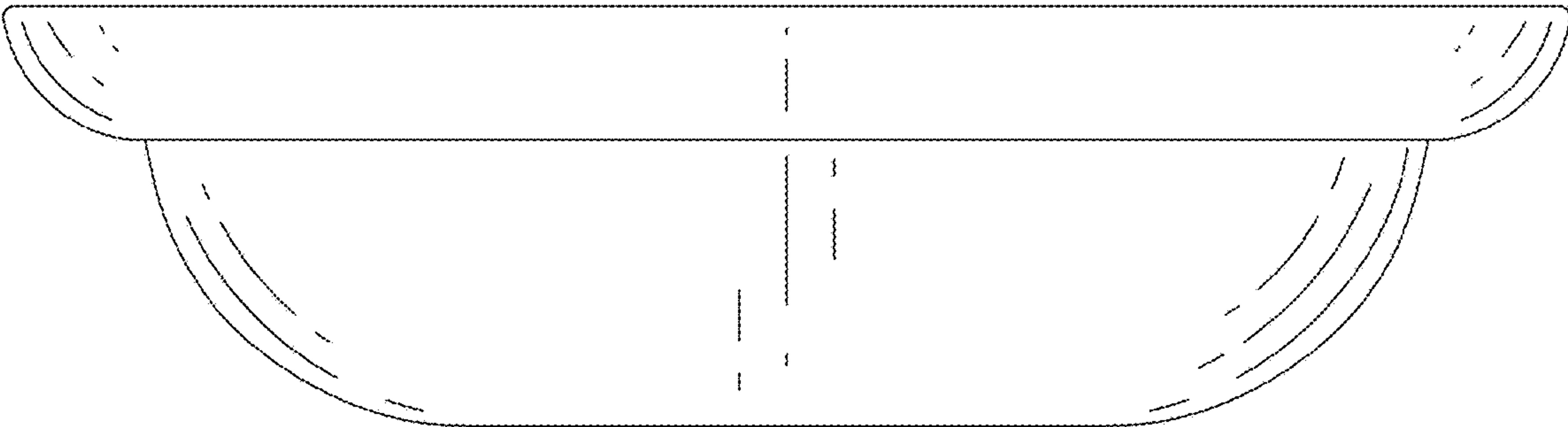


FIG. 4

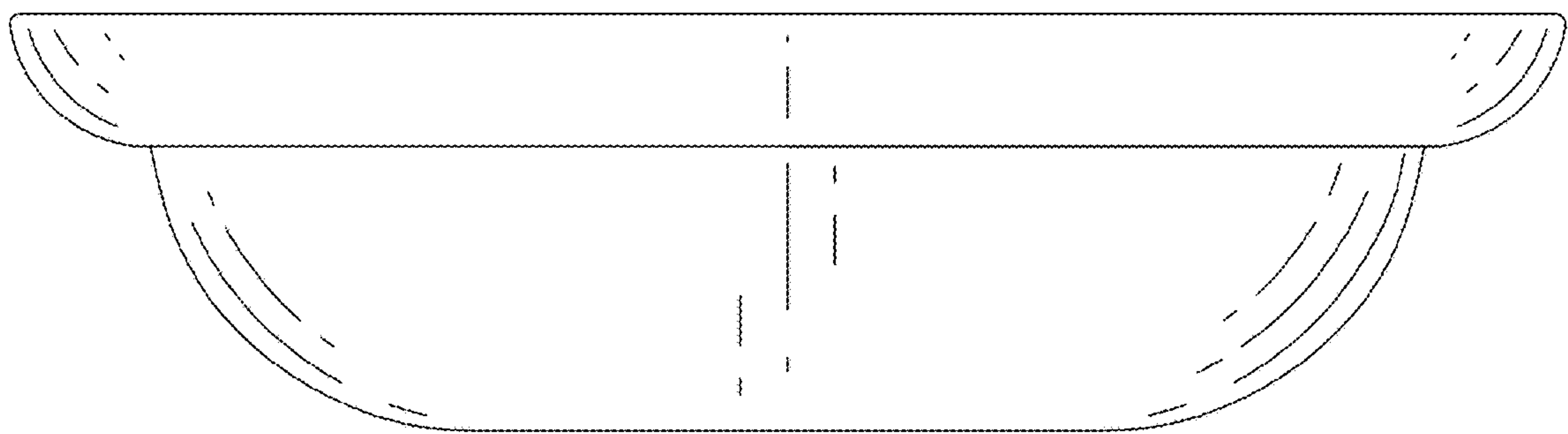


FIG. 5

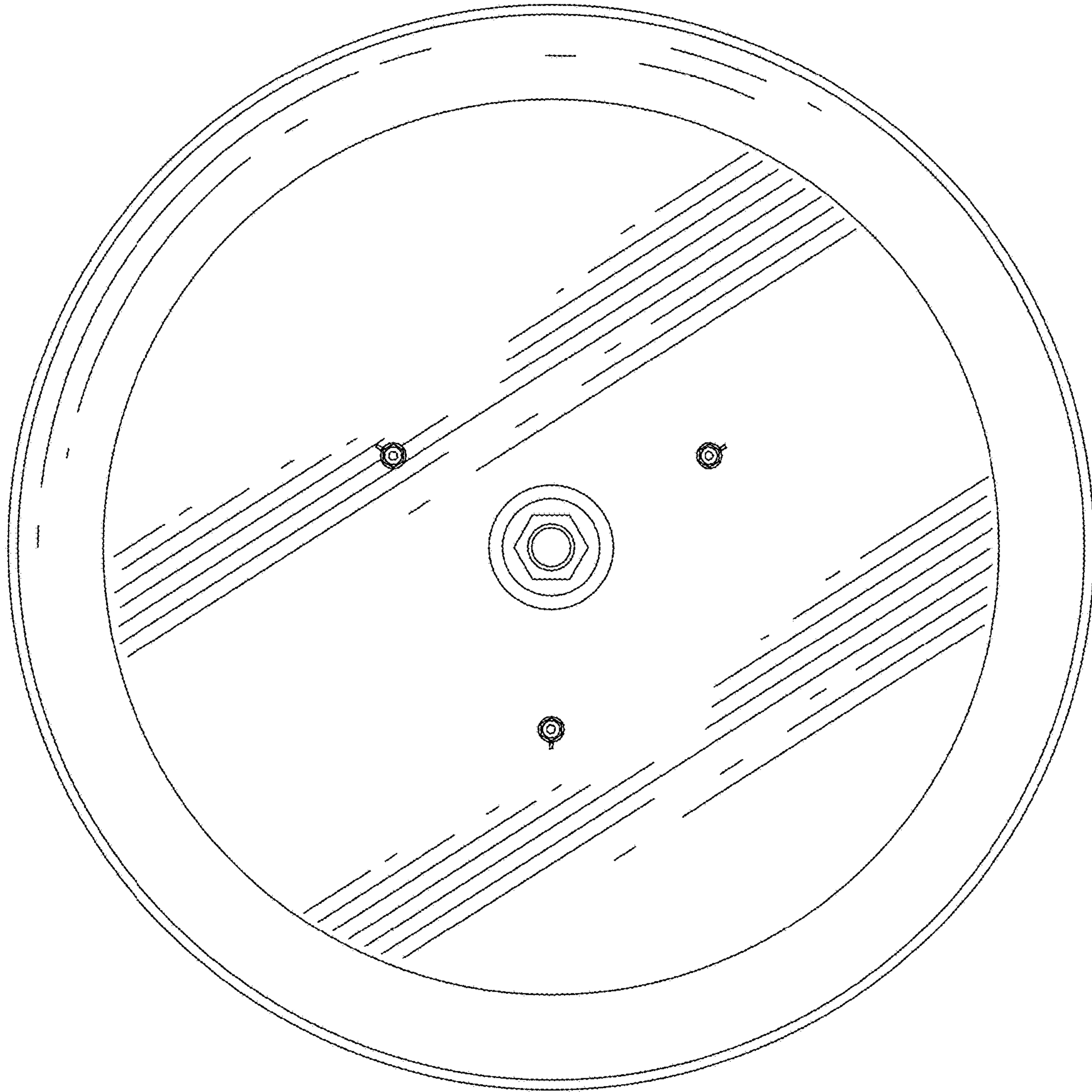


FIG. 6



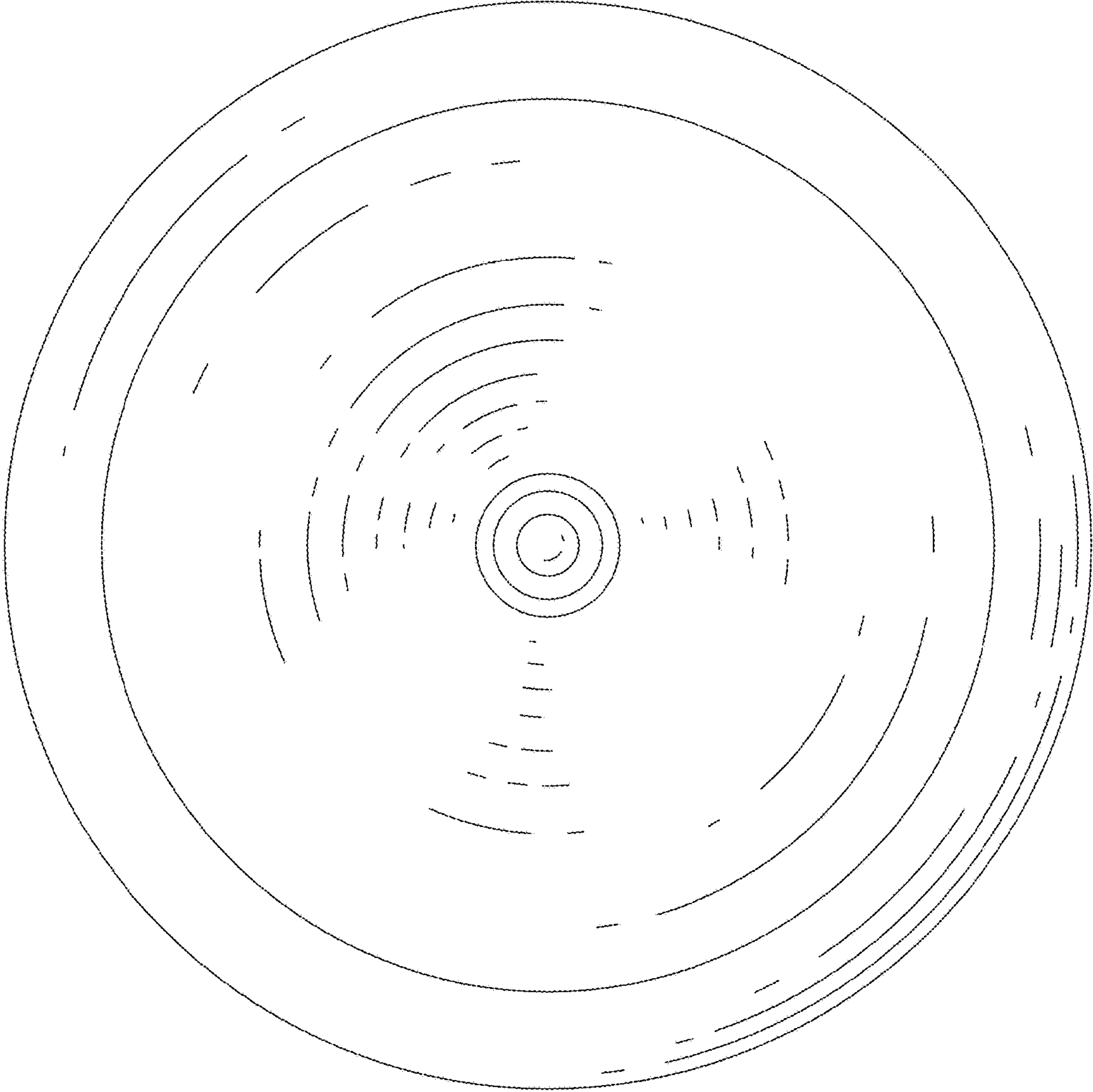


FIG. 7



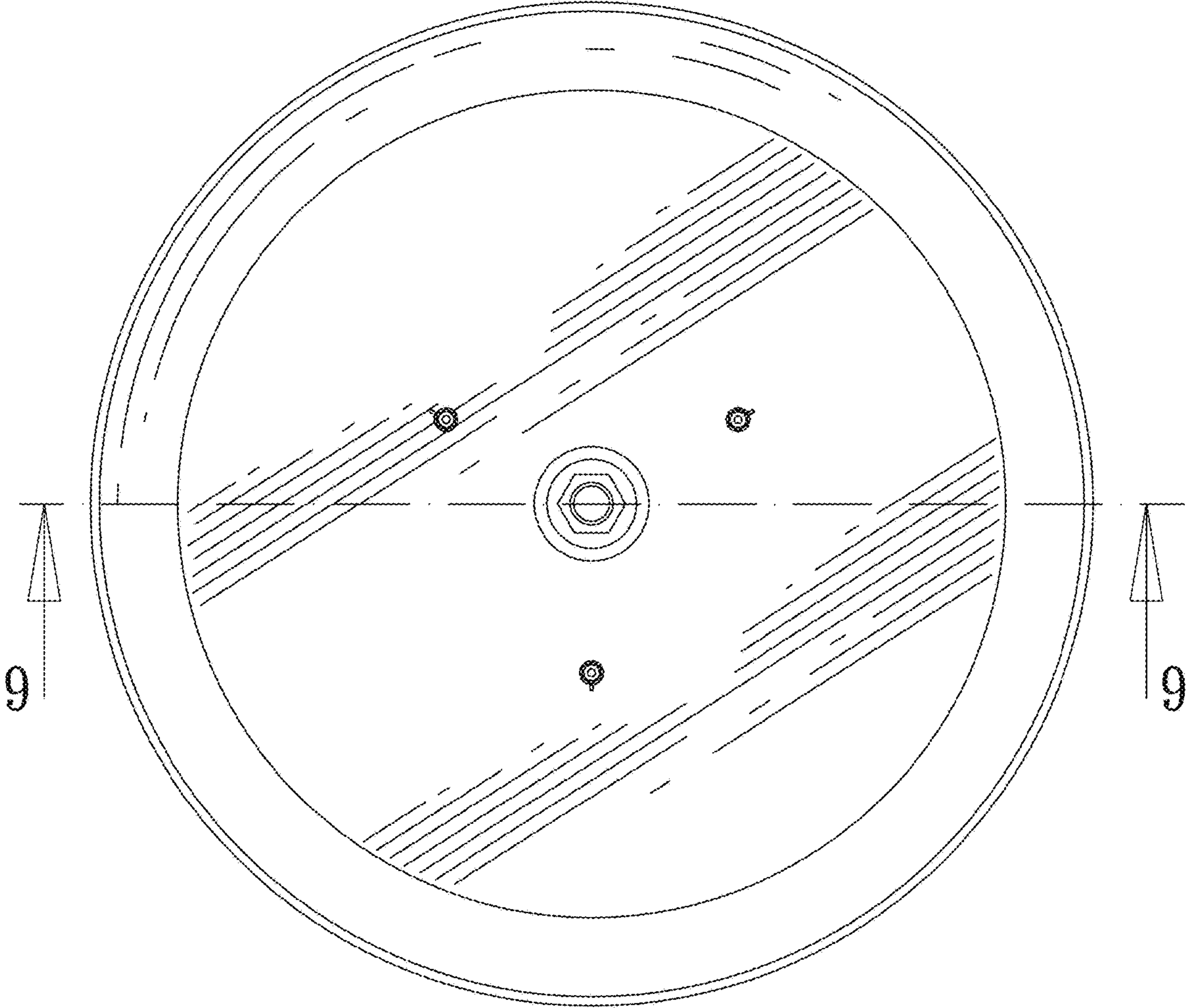


FIG. 8

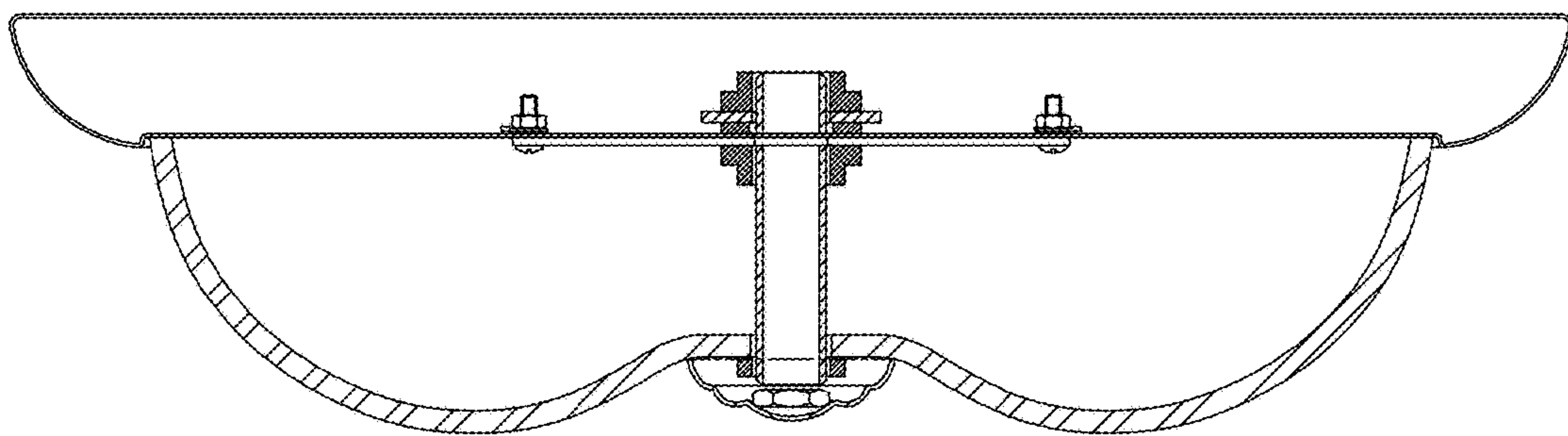


FIG. 9