



US00D833666S

(12) **United States Design Patent** (10) **Patent No.:** **US D833,666 S**
Orozco (45) **Date of Patent:** **** Nov. 13, 2018**

(54) **LIGHTING FIXTURE**

- (71) Applicant: **Kichler Lighting LLC**, Cleveland, OH (US)
- (72) Inventor: **Sergio Orozco**, West New York, NY (US)
- (73) Assignee: **Kichler Lighting LLC**, Cleveland, OH (US)

(**) Term: **15 Years**

(21) Appl. No.: **29/620,077**

(22) Filed: **Jun. 20, 2016**

(51) **LOC (11) Cl.** **26-03**

(52) **U.S. Cl.**
USPC **D26/86; D26/87**

(58) **Field of Classification Search**
USPC D26/72, 85, 86, 87, 92
CPC F21S 8/03; F21S 8/033; F21S 8/036; F21S 8/043; F21S 8/046

See application file for complete search history.

(56) **References Cited**

U.S. PATENT DOCUMENTS

D105,246 S	*	7/1937	Ostrow	D26/87
D261,557 S	*	10/1981	Palka	D26/87
D536,821 S	*	2/2007	Dolan	D26/87
D538,461 S	*	3/2007	Broughton	D26/129
D541,973 S	*	5/2007	Dolan	D26/87
D557,441 S	*	12/2007	Hsu	D26/83
D575,437 S	*	8/2008	Bickler	D26/86
D576,339 S	*	9/2008	Porter	D26/80
D667,161 S	*	9/2012	Chen	D26/87
D694,938 S	*	12/2013	Dolan	D26/87
D754,906 S	*	4/2016	Smith	D26/80

OTHER PUBLICATIONS

Galsworthy 3-Light Vanity Light by Beachcrest Home. At wayfair.com as early as Nov. 1, 2016. (Year: 2016).*

Galsworthy 1-Light Outdoor Wall Lantern by Beachcrest Home. Found at birchlane.com visited Mar. 27, 2018. (Year: 2018).*

Ellis 4-Light Vanity Light by Quorum. Found at wayfair.com visited Mar. 27, 2018. (Year: 2018).*

Ashland Bay 3-Light Bath fixture No. 45772PN by Kichler Lighting. Found at kichler.com visited Mar. 27, 2018. (Year: 2018).*

* cited by examiner

Primary Examiner — Clare E Heflin

(74) *Attorney, Agent, or Firm* — Brooks Kushman P.C.; Kirk Rudolph

(57) **CLAIM**

I claim the ornamental design for a lighting fixture, as shown and described.

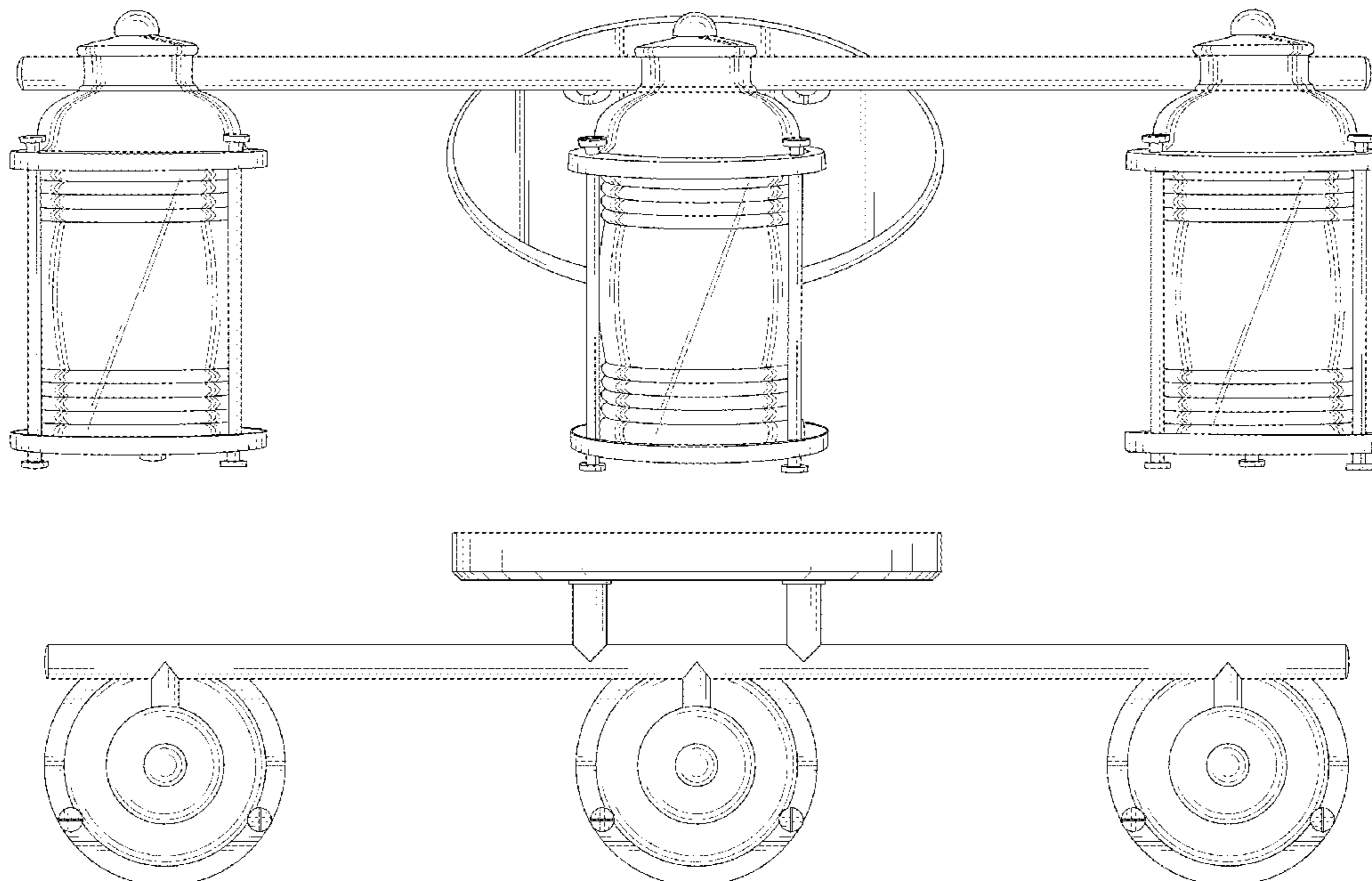
DESCRIPTION

FIG. 1 is a front elevational view of a lighting fixture. This fixture has mirror image symmetry about a vertical imaginary plane that bisects the canopy. The lantern has three-way, one hundred twenty degree overall rotational symmetry. The lantern glasses, lantern bases, lantern caps, and lantern fasteners each have a circular horizontal cross-section.

FIG. 2 is a top plan view of the lighting fixture of FIG. 1; and,

FIG. 3 is a right side elevational view of the lighting fixture of FIG. 1.

1 Claim, 2 Drawing Sheets



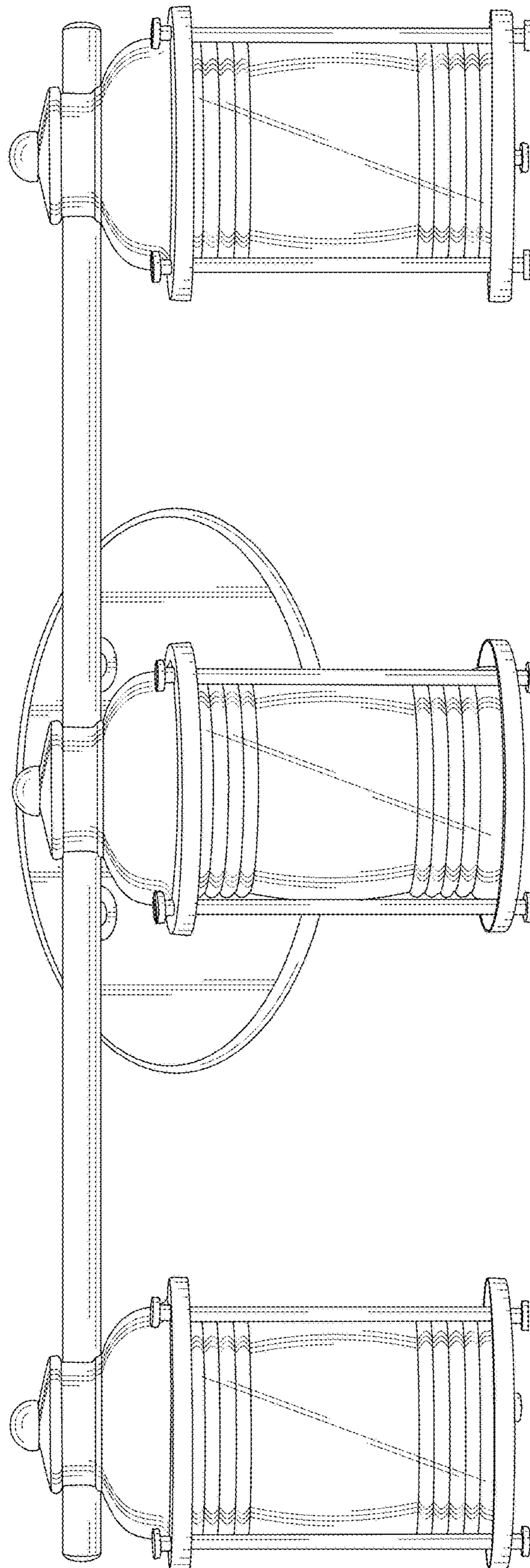


FIG. 1

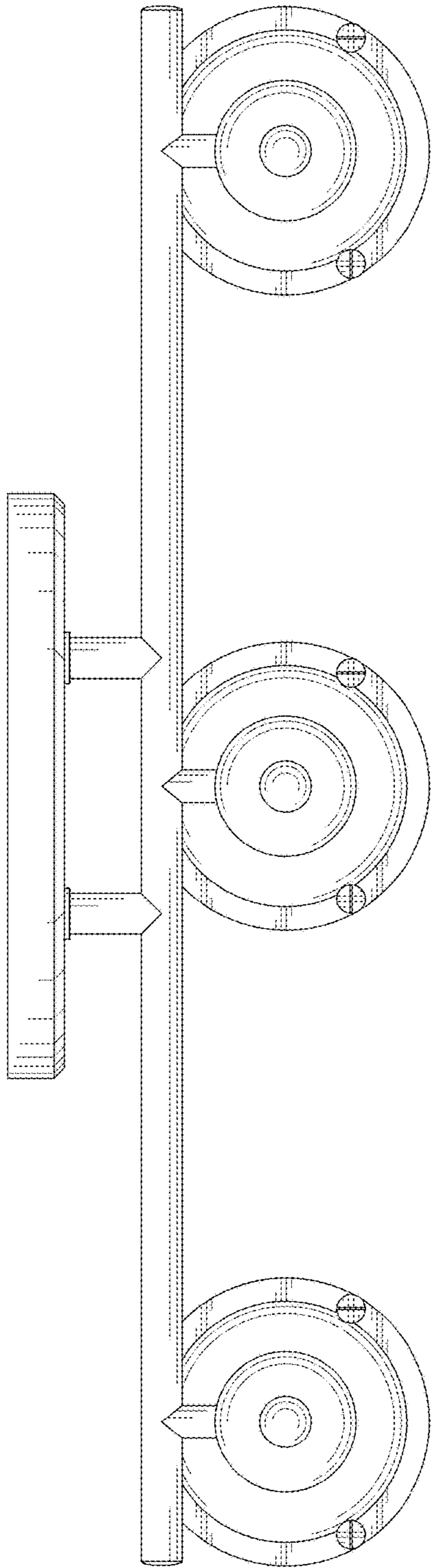


FIG. 2

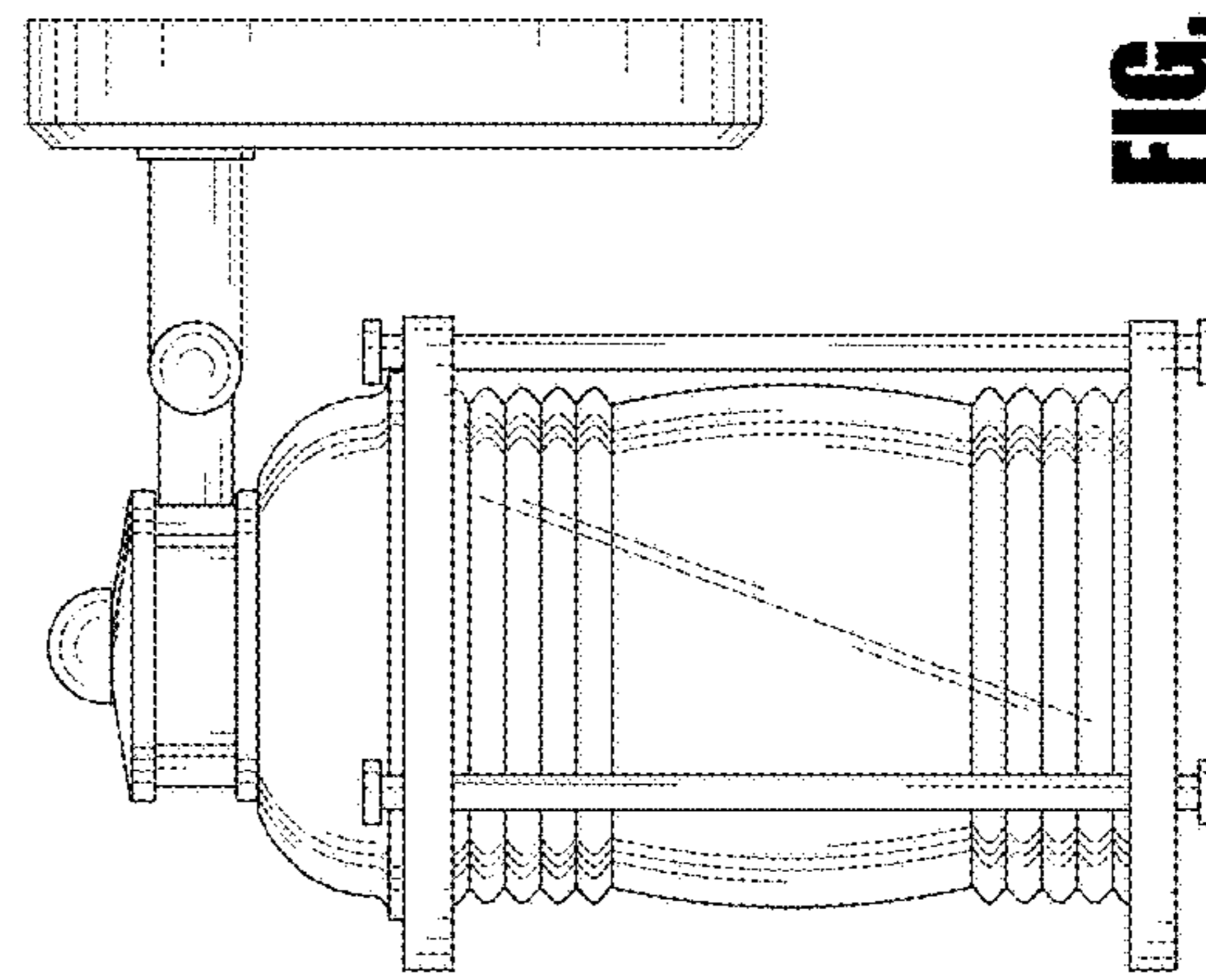


FIG. 3