



US00D833664S

(12) **United States Design Patent** (10) **Patent No.:** **US D833,664 S**
Verfuerth et al. (45) **Date of Patent:** **** Nov. 13, 2018**

(54) **LIGHTING FIXTURE**

(71) Applicant: **Energy Bank Incorporated,**
Manitowoc, WI (US)

(72) Inventors: **Neal R. Verfuerth,** Manitowac, WI
(US); **Brandon James King,**
Manitowoc, WI (US)

(73) Assignee: **Energy Bank Incorporated,**
Manitowoc, WI (US)

(**) Term: **15 Years**

(21) Appl. No.: **29/590,406**

(22) Filed: **Jan. 10, 2017**

Related U.S. Application Data

(63) Continuation-in-part of application No. 29/565,886,
filed on May 25, 2016, which is a continuation-in-part
of application No. 15/074,421, filed on Mar. 18, 2016,
now Pat. No. 9,874,338.

(51) **LOC (11) Cl.** **26-04**

(52) **U.S. Cl.**
USPC **D26/76**

(58) **Field of Classification Search**
USPC D26/76, 78, 79, 80, 81, 82, 83, 85, 86,
D26/88, 90, 113, 118, 119, 120, 121, 122,
D26/138, 139, 140, 141, 142, 152
CPC F21S 2/00; F21S 4/00; F21S 4/003; F21S
4/005; F21S 4/006; F21S 4/007; F21S
4/008; F21S 6/00; F21S 8/00; F21S
8/024; F21S 8/026; F21S 8/031; F21S
8/033; F21S 8/035-8/037; F21S 8/04;
F21S 8/043; F21S 8/063

See application file for complete search history.

(56) **References Cited**

U.S. PATENT DOCUMENTS

D413,402 S * 8/1999 Ranieri D26/74
D418,936 S * 1/2000 Dunning D26/3

D520,667 S * 5/2006 Jae-Sung D26/25
D521,173 S * 5/2006 Noh D26/78
D526,737 S * 8/2006 Noh D26/75
D556,358 S * 11/2007 Santoro D26/76
D584,848 S * 1/2009 Menke D26/76
D608,928 S * 1/2010 Noh D26/76
D616,138 S * 5/2010 Lasthein D26/76
D662,643 S * 6/2012 Takahashi D26/76
D667,156 S * 9/2012 Pickard D26/74
D716,489 S * 10/2014 O'Leary D26/90
D729,423 S * 5/2015 Noh D26/24
9,052,075 B2 * 6/2015 Demuynck F21S 9/022
D735,392 S * 7/2015 Ng D26/76
D747,539 S * 1/2016 Santoro D26/120
D805,233 S * 12/2017 Verfuerth D26/76
2012/0051041 A1 * 3/2012 Edmond F21S 8/026
362/231

* cited by examiner

Primary Examiner — George D. Kirschbaum

Assistant Examiner — Natasha Vujcic

(74) *Attorney, Agent, or Firm* — Smith Keane LLP

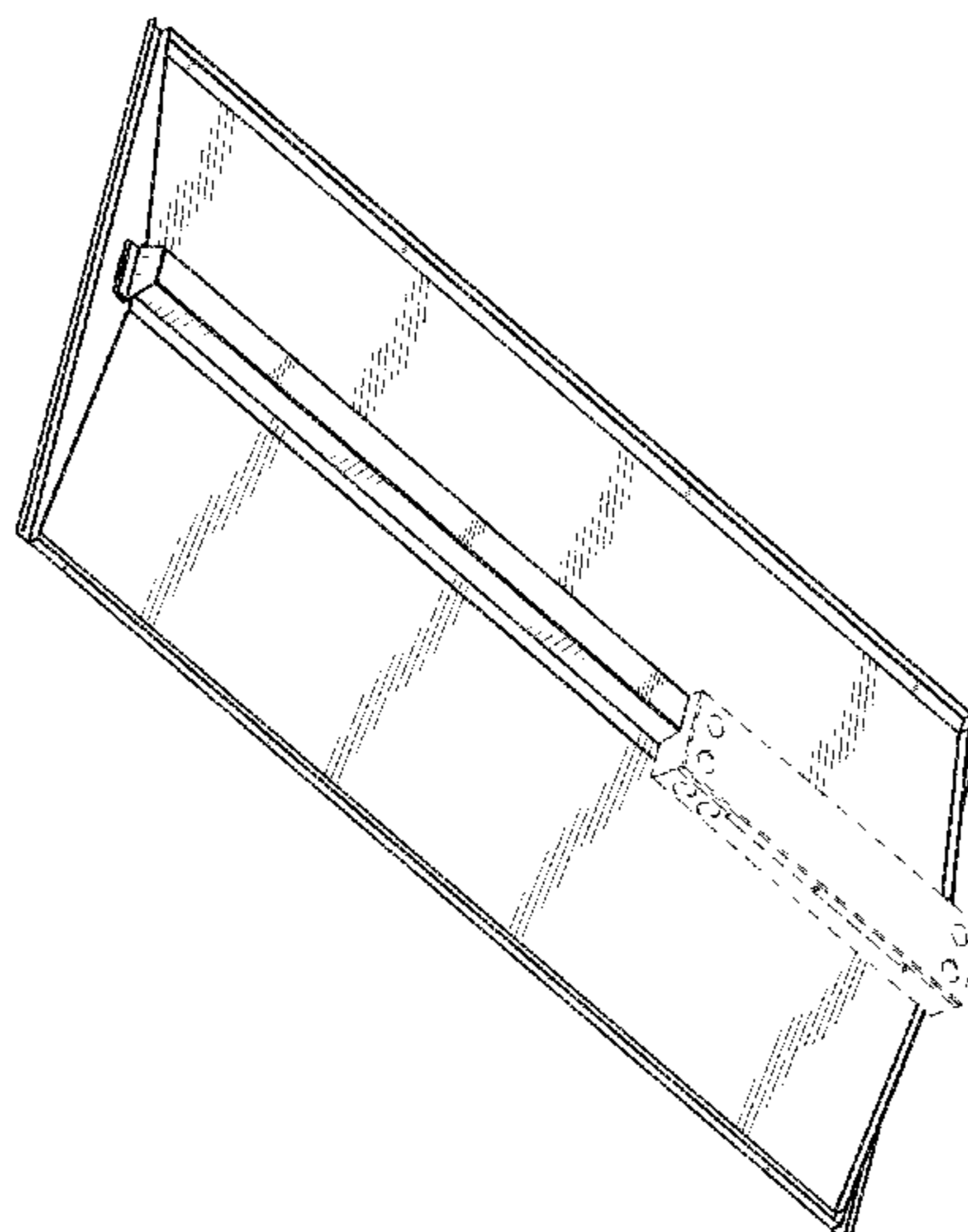
(57) **CLAIM**

The ornamental design for a lighting fixture, as shown and described.

DESCRIPTION

FIG. 1 is a top perspective view of a lighting fixture according to the present invention;
FIG. 2 is a bottom perspective view thereof;
FIG. 3 is a right elevation view thereof;
FIG. 4 is a left elevation view thereof;
FIG. 5 is a rear elevation view thereof;
FIG. 6 is a front elevation view thereof;
FIG. 7 is a top plan view thereof; and,
FIG. 8 is bottom plan view thereof.
The broken lines in the drawings illustrate portions of the lighting fixture which forms no part of the claimed design.

1 Claim, 5 Drawing Sheets



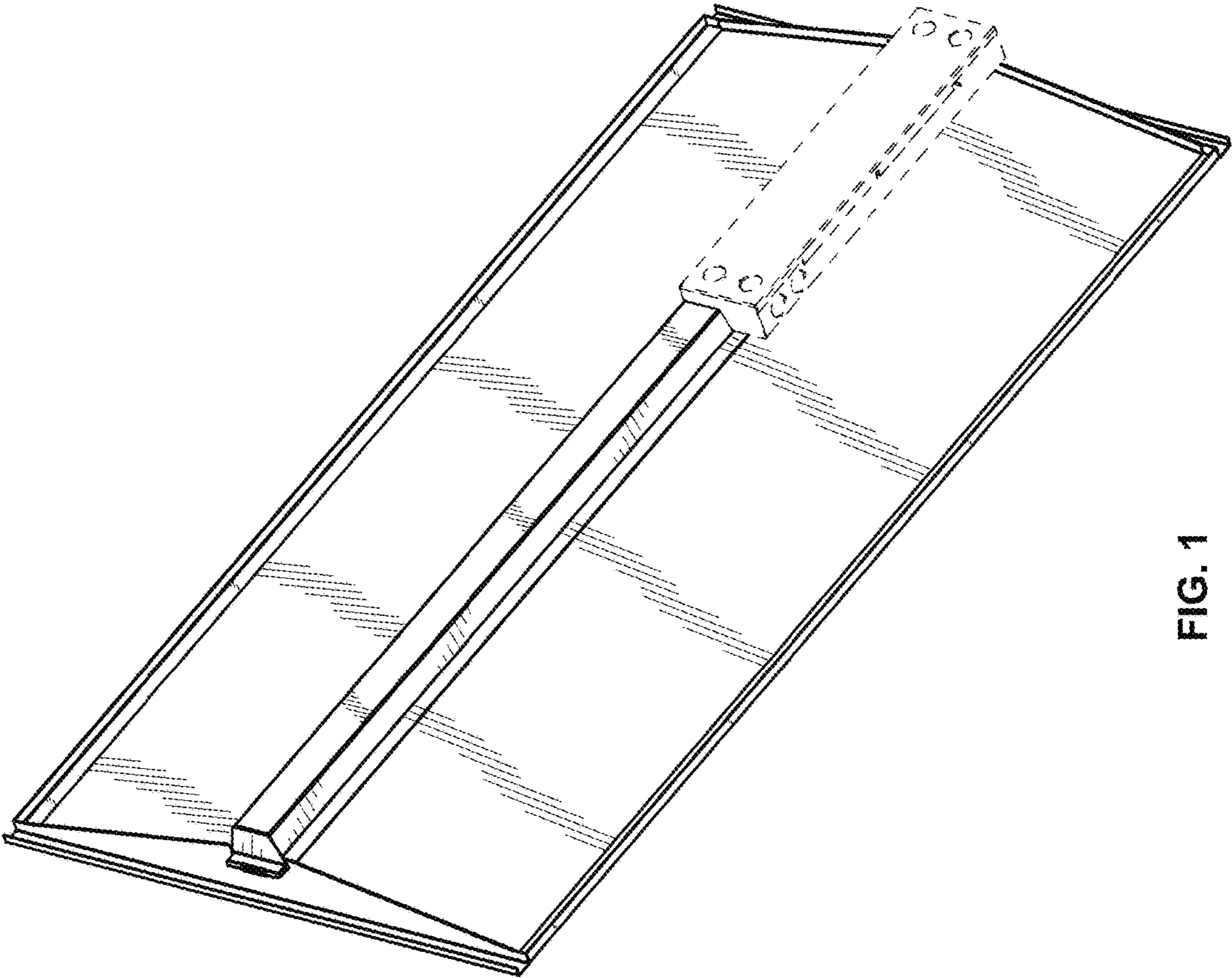


FIG. 1

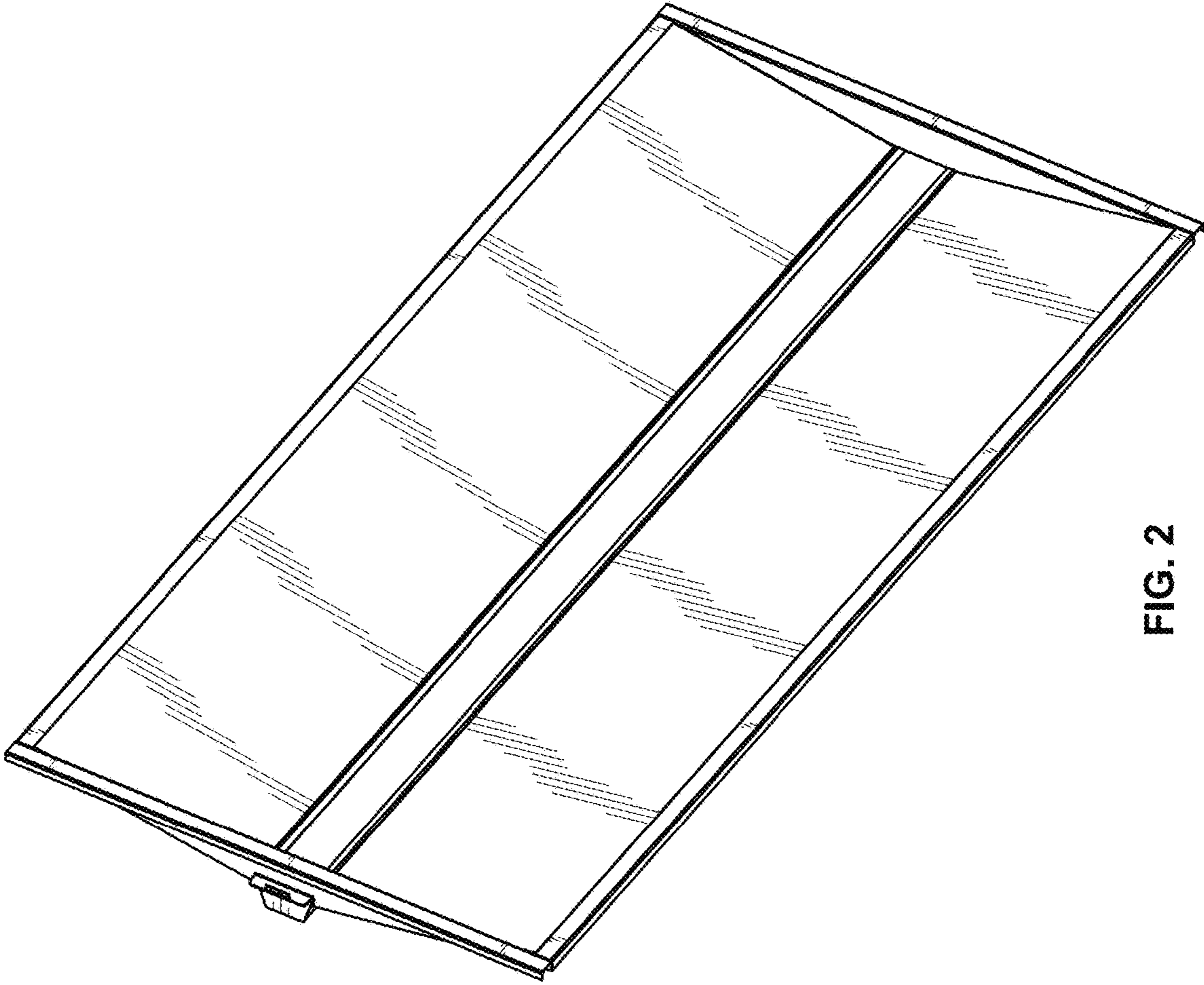


FIG. 2

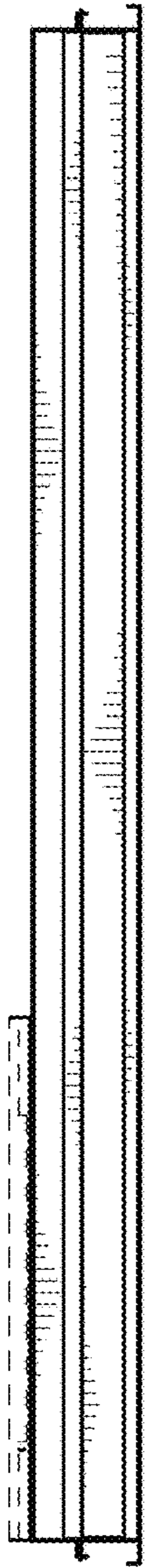


FIG. 3

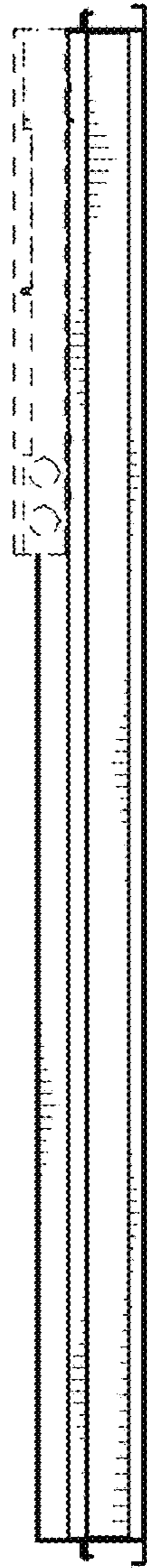


FIG. 4

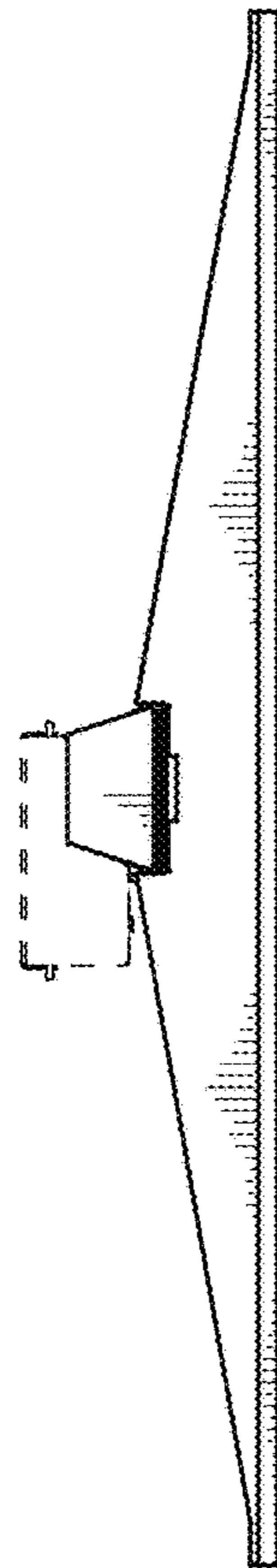


FIG. 5

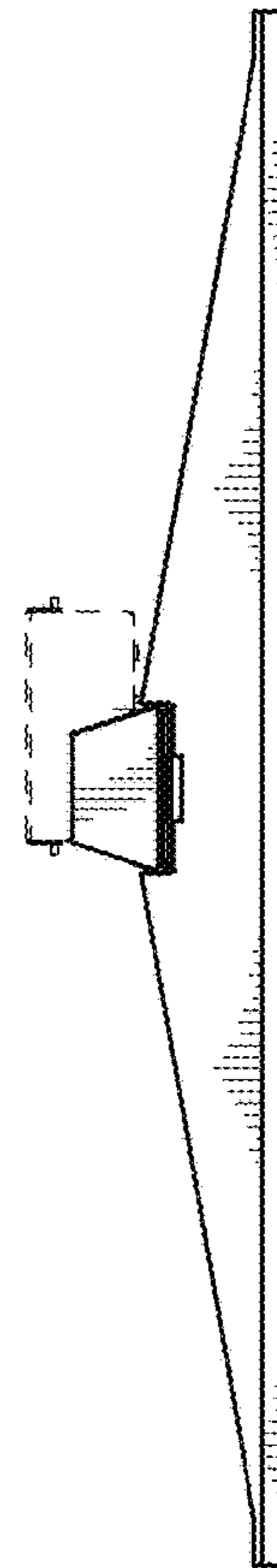


FIG. 6

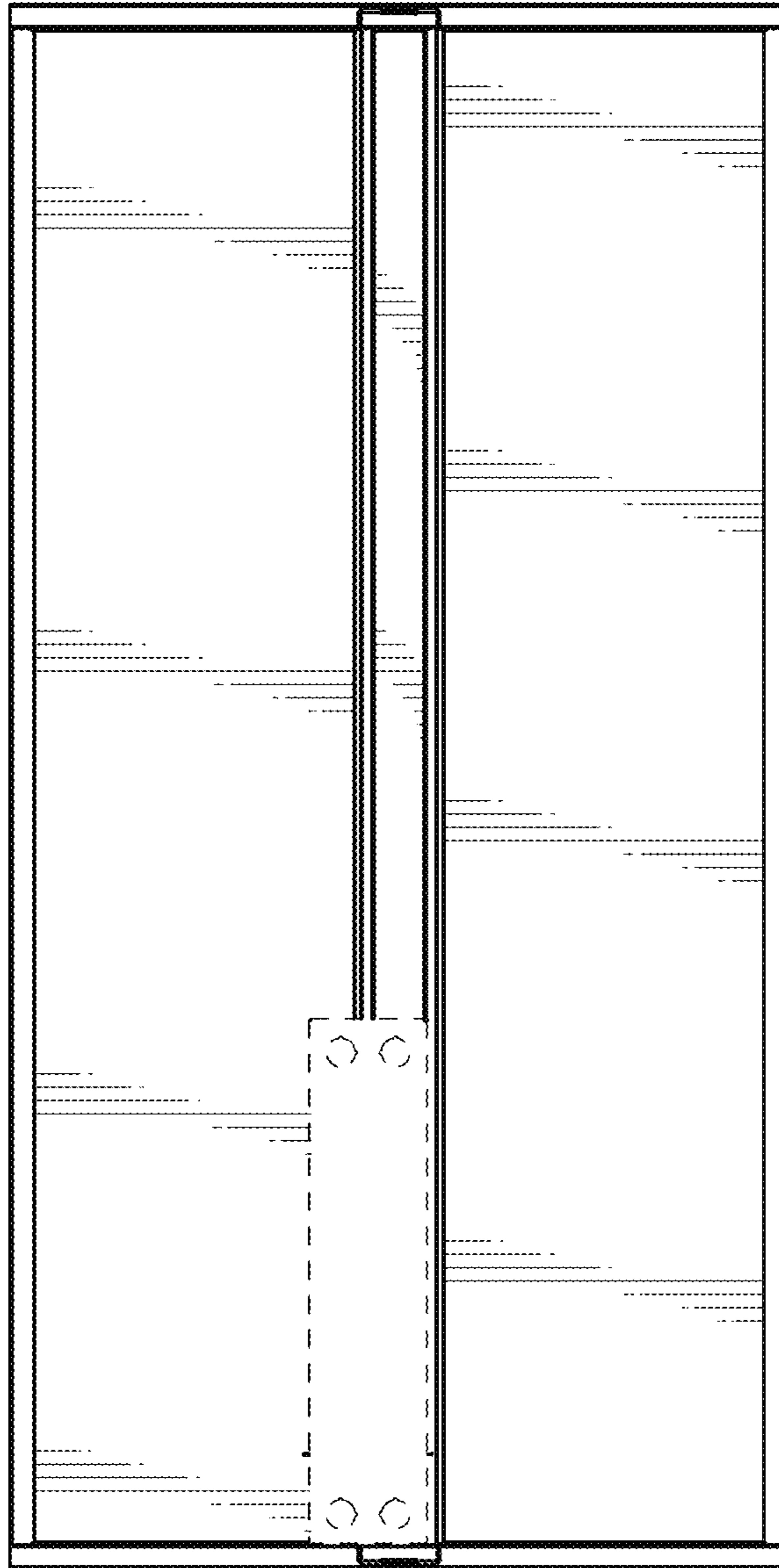


FIG. 7

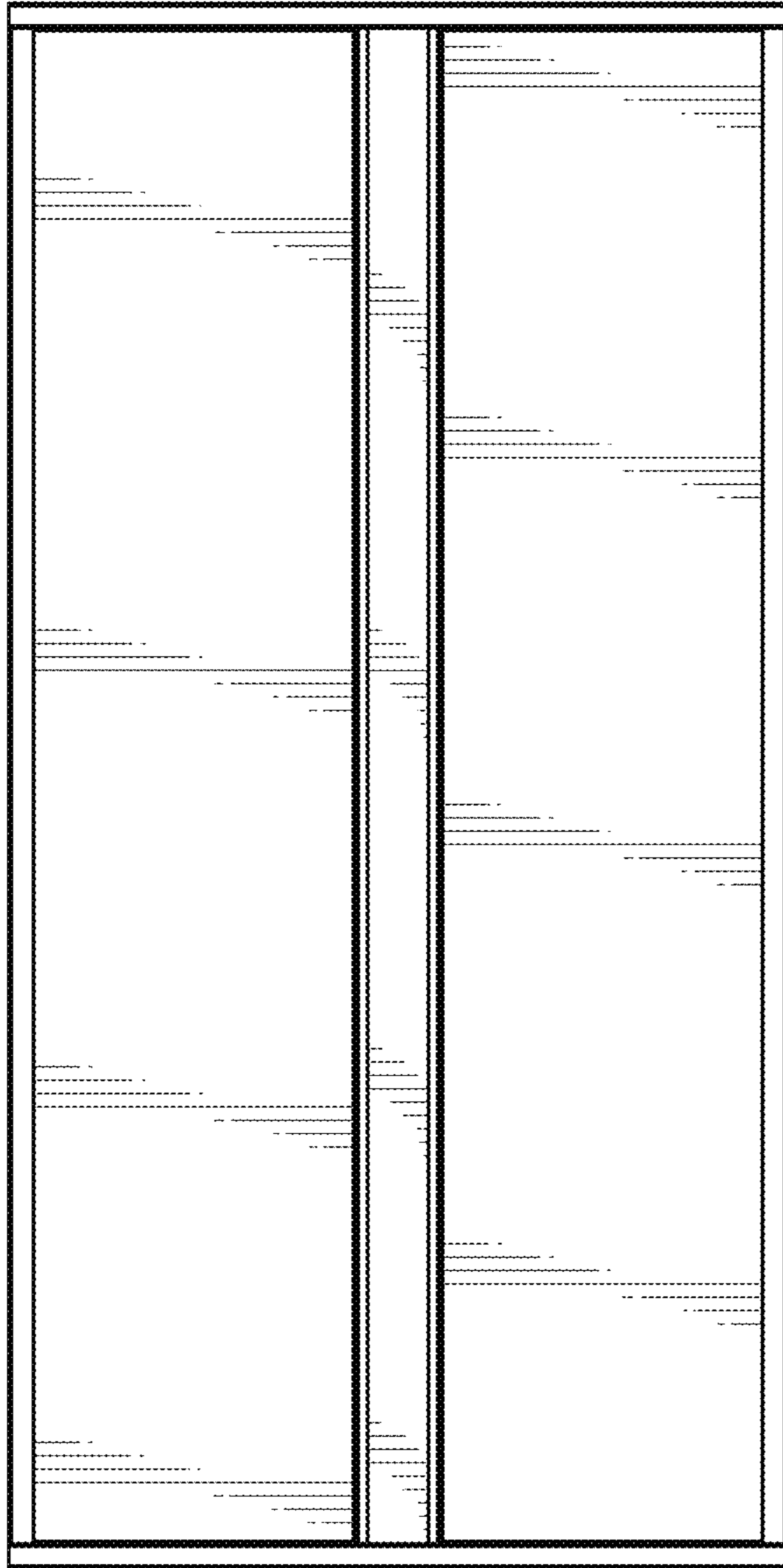


FIG. 8