

US00D833663S

(12) **United States Design Patent** (10) **Patent No.:** **US D833,663 S**  
**Stromborg** (45) **Date of Patent:** **\*\* \*Nov. 13, 2018**

(54) **LUMINAIRE**

(71) Applicant: **ZUMTOBEL LIGHTING GMBH,**  
Dornbirn (AT)

(72) Inventor: **Daniel Stromborg,** Los Angeles, CA  
(US)

(73) Assignee: **ZUMTOBEL LIGHTING GMBH,**  
Dornbirn (AT)

(\*) Notice: This patent is subject to a terminal disclaimer.

(\*\*) Term: **15 Years**

(21) Appl. No.: **29/563,046**

(22) Filed: **May 2, 2016**

(30) **Foreign Application Priority Data**

Oct. 30, 2015 (EM) ..... 002842179

(51) **LOC (11) Cl.** ..... **26-05**

(52) **U.S. Cl.**  
USPC ..... **D26/74**

(58) **Field of Classification Search**

USPC ..... D26/74, 72, 75, 76, 77, 78, 85, 88, 89,  
D26/118, 138, 141; 362/364, 365, 373,  
362/145, 146, 147, 148, 150, 153, 153.1,  
362/294, 296.01, 296.07, 296.08

CPC ..... F21V 29/2262; F21V 7/06; F21V 21/044;  
F21V 21/047; F21V 29/2212; F21V  
29/2256; F21V 29/225; F21V 29/2268;  
F21Y 2111/002; F21S 8/02; F21S 8/026

See application file for complete search history.

(56) **References Cited**

U.S. PATENT DOCUMENTS

D477,891 S *	7/2003	Fritze .....	D26/74
D556,358 S *	11/2007	Santoro .....	D26/74
D572,858 S *	7/2008	Santoro .....	26/120
D579,598 S *	10/2008	Santoro .....	D26/76
D631,594 S *	1/2011	Irvine .....	D26/74
D646,012 S *	9/2011	Irvine .....	D26/74
D680,254 S *	4/2013	Mayfield, III .....	D26/74
D682,455 S *	5/2013	Apetauer .....	D26/74
D701,341 S *	3/2014	Mayfield, III .....	D26/74
D706,481 S *	6/2014	Holland .....	D26/78
D720,488 S *	12/2014	Toyohisa .....	D26/74
D730,556 S *	5/2015	Toyohisa .....	D26/74
D786,471 S *	5/2017	Snell .....	D26/74

\* cited by examiner

*Primary Examiner* — Angela J Lee

(74) *Attorney, Agent, or Firm* — Scully Scott Murphy and Presser; Frank DiGiglio

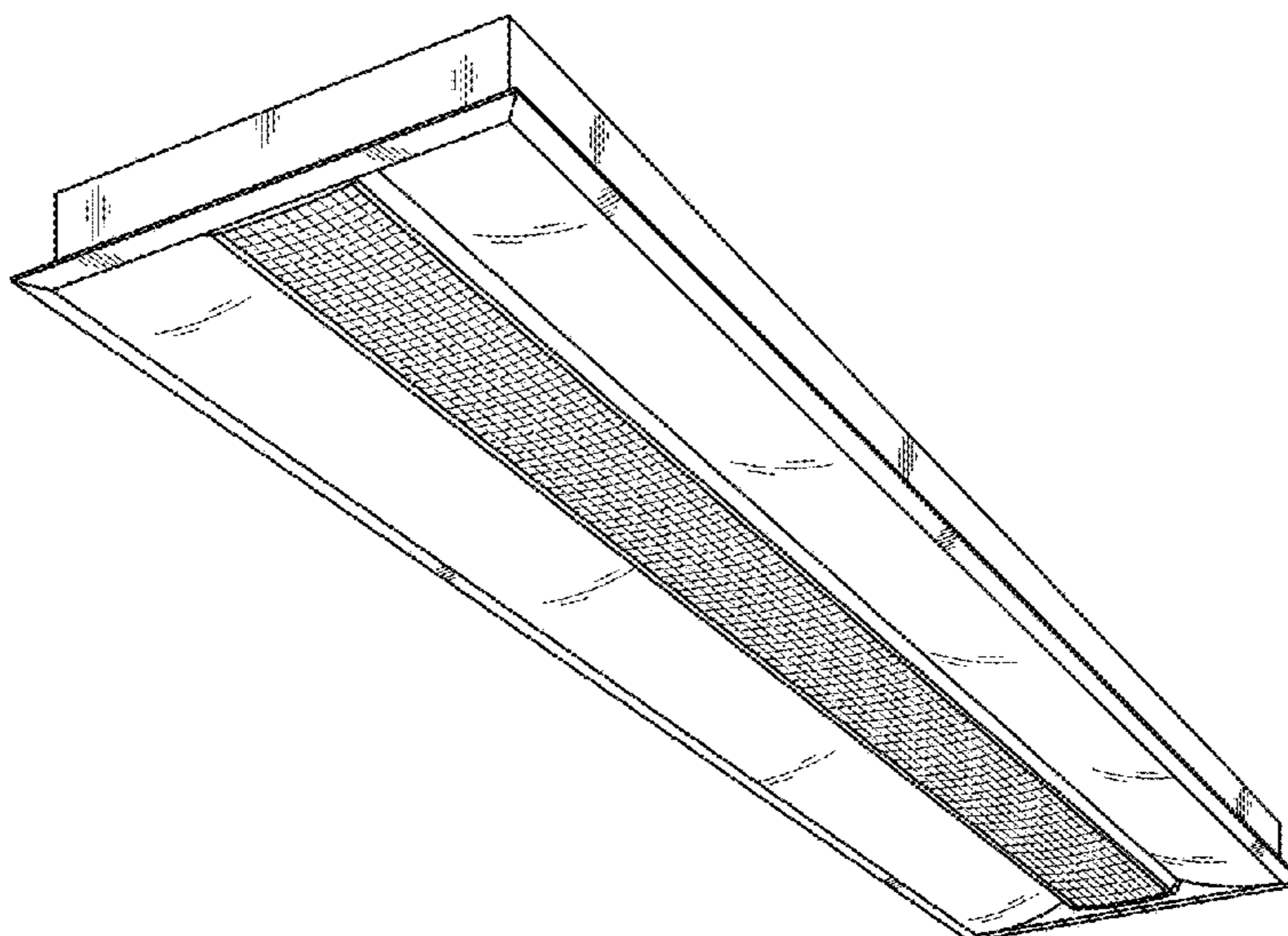
(57) **CLAIM**

The ornamental design for a luminaire, as shown and described.

**DESCRIPTION**

FIG. 1 illustrates a perspective view of the luminaire, showing my new and ornamental design;  
FIG. 2 illustrates a front view thereof;  
FIG. 3 illustrates a back view thereof;  
FIG. 4 illustrates a side view thereof;  
FIG. 5 illustrates a side view thereof;  
FIG. 6 illustrates a bottom view thereof; and,  
FIG. 7 illustrates a top view thereof.

**1 Claim, 5 Drawing Sheets**



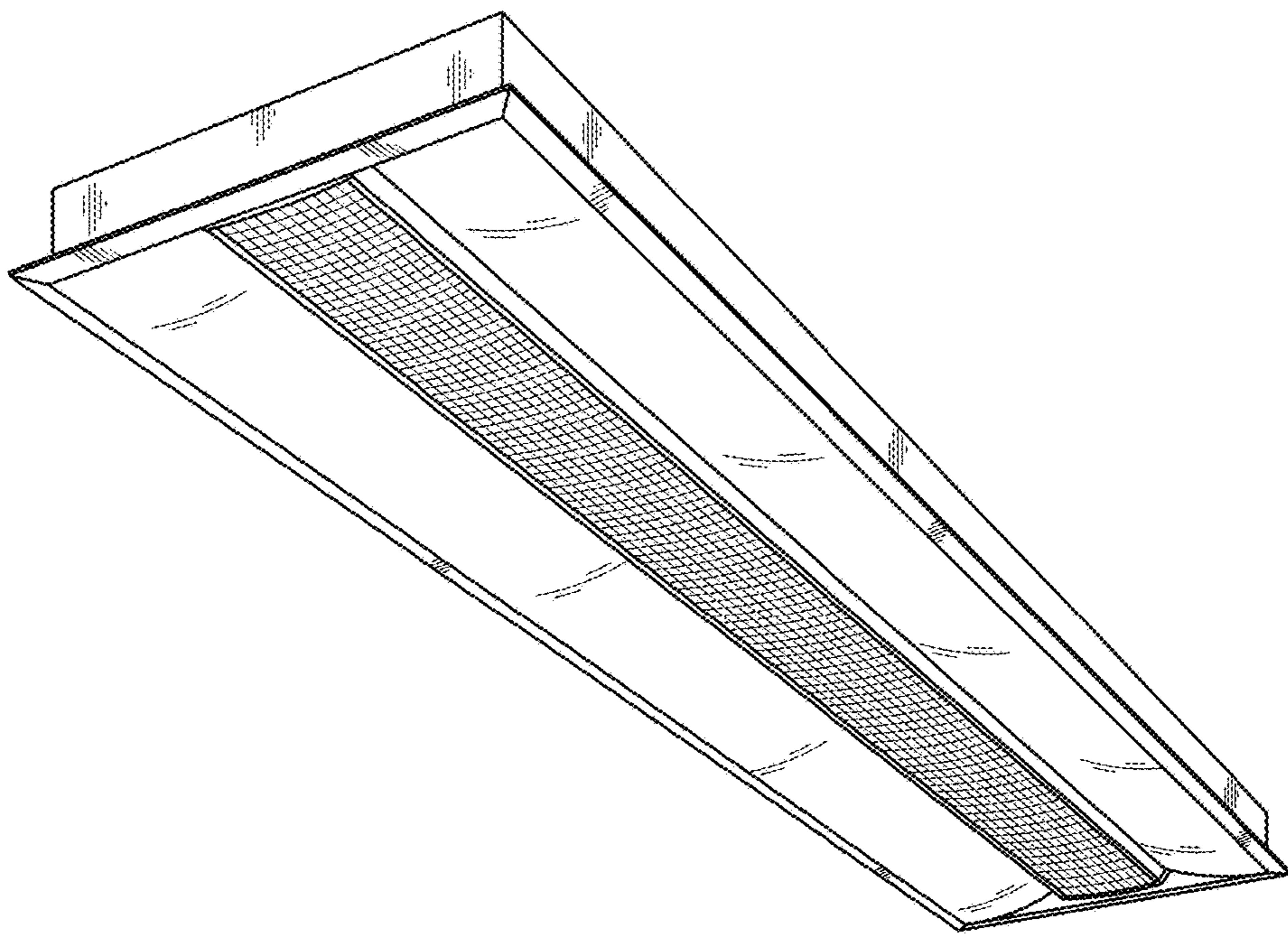


Fig. 1



Fig. 2

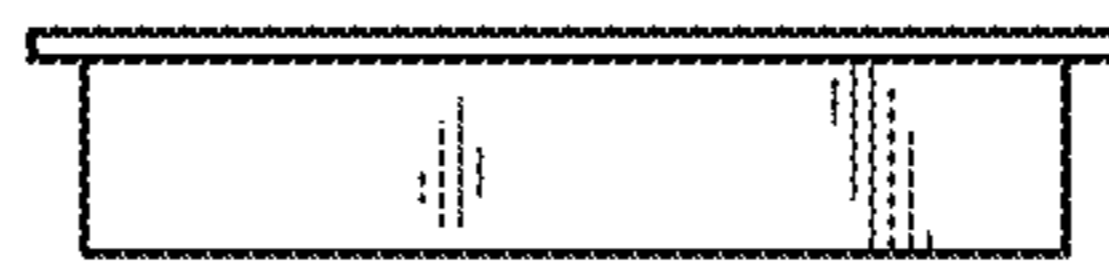


Fig. 3

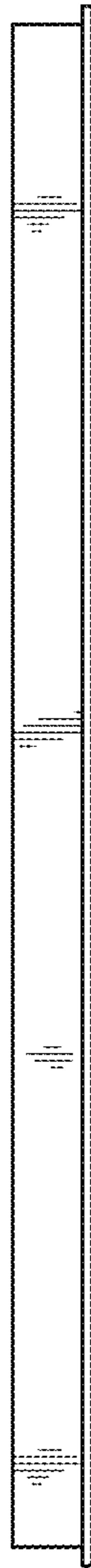


Fig. 4

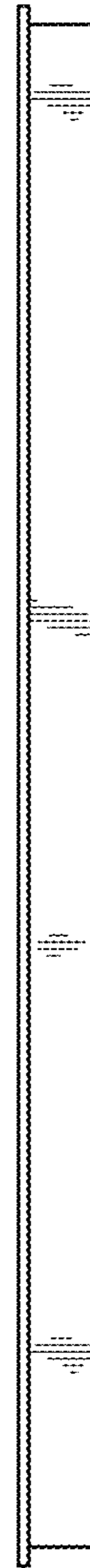


Fig. 5

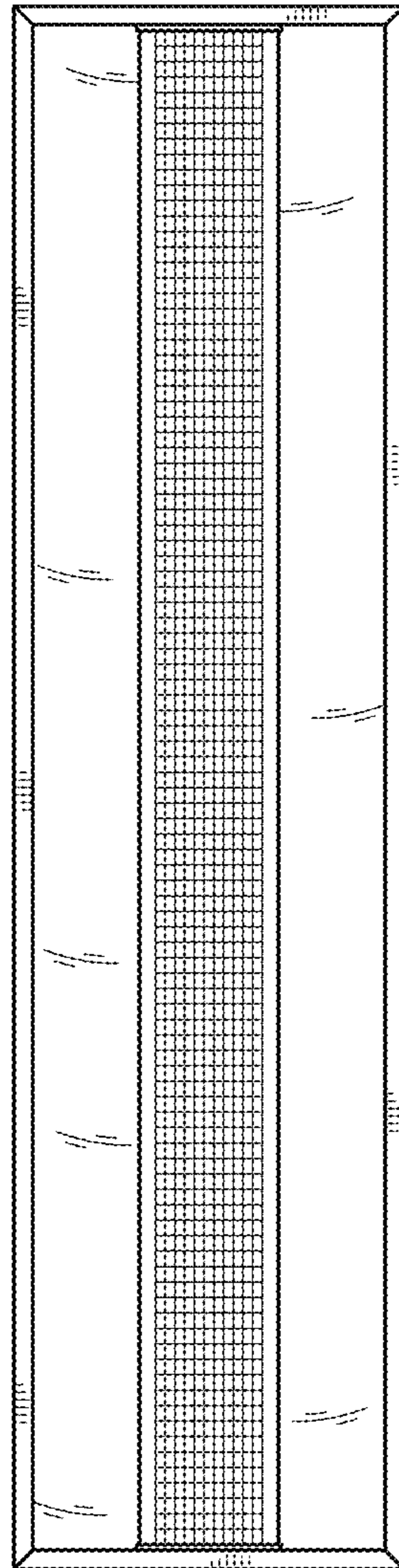


Fig. 6

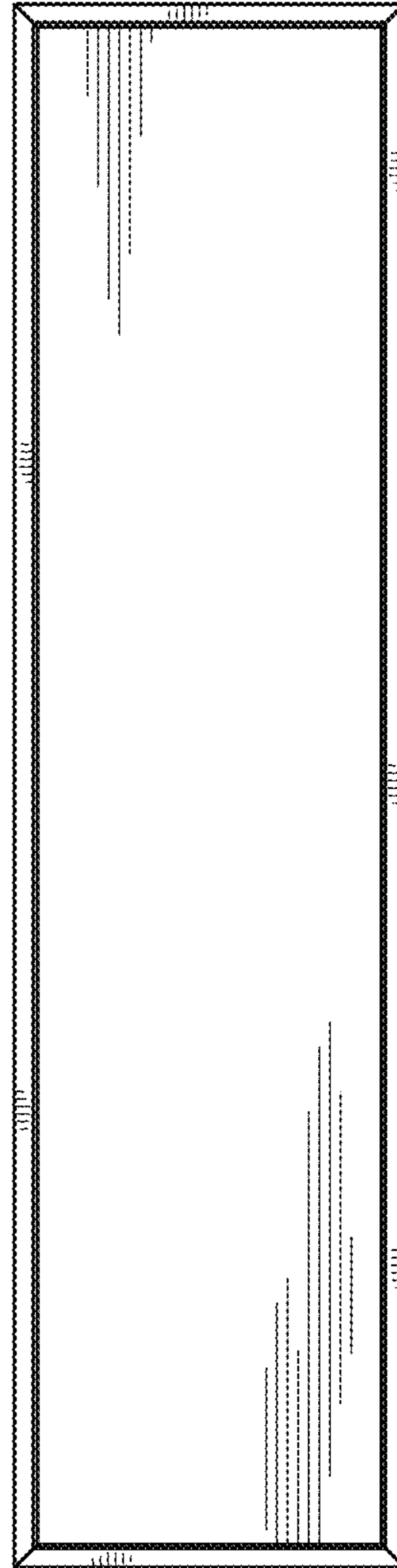


Fig. 7