



US00D833662S

(12) **United States Design Patent** (10) **Patent No.:** **US D833,662 S**
Gordin et al. (45) **Date of Patent:** **** Nov. 13, 2018**

(54) **ARRAY INCLUDING ADJUSTABLE LIGHTING FIXTURES ON A POLE**
(71) Applicant: **Musco Corporation**, Oskaloosa, IA (US)
(72) Inventors: **Myron Gordin**, Oskaloosa, IA (US); **Steven T. Heaton**, Oskaloosa, IA (US)
(73) Assignee: **Musco Corporation**, Oskaloosa, IA (US)
(**) Term: **15 Years**
(21) Appl. No.: **29/581,269**
(22) Filed: **Oct. 18, 2016**
(51) **LOC (11) Cl.** **26-03**
(52) **U.S. Cl.**
USPC **D26/63**
(58) **Field of Classification Search**
USPC D26/1, 24, 51, 61, 63, 80, 81, 86, 95, D26/102, 110, 127, 138; D25/1, 3, 4, 5, D25/35, 199
CPC ... E02B 17/021; F21S 2/00; F21S 6/00; F21S 8/00; F21S 8/003; F21S 8/036; F21V 21/116; F21V 21/22
See application file for complete search history.

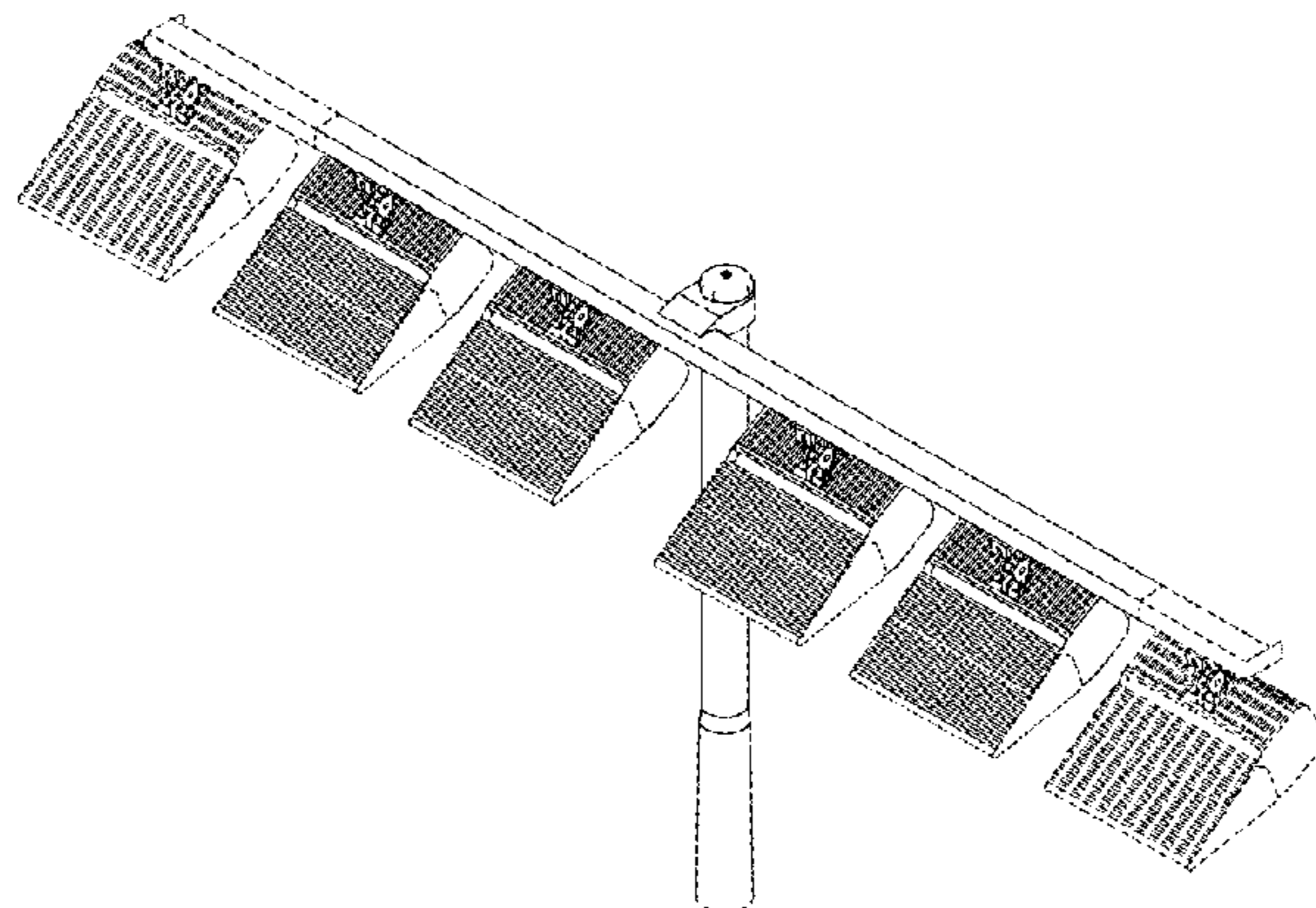
5,426,577 A * 6/1995 Gordin F21V 21/116
174/45 R
5,647,661 A 7/1997 Gordin
D391,382 S 2/1998 Rahn
5,887,969 A 3/1999 Gordin
D411,025 S 6/1999 Rahn
D411,096 S 6/1999 Gordin et al.
D412,592 S 8/1999 Kowalenko et al.
6,220,726 B1 4/2001 Gordin
6,250,596 B1 6/2001 Gordin et al.
D445,936 S 7/2001 Mier-Langner et al.
D472,339 S 3/2003 Russello et al.
D475,154 S 5/2003 Binsukor
7,484,866 B1 2/2009 Buse
D636,525 S 4/2011 Chan
D641,908 S 7/2011 McKee
D644,370 S 8/2011 Lickiss
8,007,131 B2 8/2011 Liu et al.
D646,826 S 10/2011 Smith
8,104,927 B2 1/2012 Gordin et al.
D655,840 S * 3/2012 Heaton D26/63
D659,280 S 5/2012 Guercio et al.
D672,908 S 12/2012 Wilcox et al.
D694,449 S 11/2013 Walker et al.
D695,949 S 12/2013 Gordin et al.
D695,950 S 12/2013 Gordin et al.
8,789,967 B2 7/2014 Gordin et al.
D716,990 S 11/2014 Yu
D743,602 S * 11/2015 Gordin D26/63
D757,343 S * 5/2016 Dupuis D26/110
D797,367 S * 9/2017 Hart D26/138
D808,052 S 1/2018 Gordin et al.
D808,053 S 1/2018 Gordin et al.
2006/0198145 A1 9/2006 Gordin
2009/0122550 A1 5/2009 Gordin et al.
2010/0110671 A1 5/2010 Gordin et al.
2010/0165654 A1 7/2010 Okubo et al.
2011/0074313 A1 3/2011 Gordin
2012/0039077 A1 2/2012 Householder
2013/0250556 A1 9/2013 Gordin et al.
2014/0301078 A1 10/2014 Gordin et al.
2015/0029721 A1 1/2015 Kim

(56) **References Cited**
U.S. PATENT DOCUMENTS

D158,803 S 5/1950 Russell
D195,876 S 8/1963 Atkin et al.
3,358,133 A 12/1967 Thoman et al.
D246,131 S 10/1977 Schifrin
4,190,881 A * 2/1980 Drost F21V 21/116
362/238
4,220,981 A * 9/1980 Koether F21V 21/22
362/238
D257,891 S * 1/1981 Drost D26/102
D300,570 S 4/1989 DeCandia
D332,318 S 1/1993 Reding
D337,168 S * 7/1993 Gordin D25/127
D353,911 S * 12/1994 Gordin D25/127

FOREIGN PATENT DOCUMENTS

EP 2056020 A1 5/2009
RU 2125681 C1 1/1999
WO 199633368 A1 10/1996
WO 2012166347 A2 12/2012
WO 2013173837 A1 11/2013



OTHER PUBLICATIONS

Musco Corporation, PCT/US2012/037935 filed May 15, 2012, Transmittal of International Preliminary Report on Patentability), dated Dec. 12, 2013, 8 pages.

Musco Corporation, PCT/US2013/041863 filed May 20, 2013, "The International Search Report and the Written Opinion of the International Searching Authority, or the Declaration" dated Aug. 28, 2013, 13 pages.

Musco Corporation, PCT/US2012/037935 filed May 15, 2012, "The International Search Report and the Written Opinion of the International Searching Authority, or the Declaration" dated Jan. 29, 2013, 13 pages.

Musco Corporation, PCT/US2013/041863 filed May 20, 2013, Transmittal of International Preliminary Report on Patentability), dated Nov. 27, 2014, 8 pages.

Musco Corporation, Application No. 13791654.0/PCT/US2013/041863, "Extended European Search Report" dated Oct. 25, 2016.

Musco Corporation, U.S. Appl. No. 29/500,935, filed August 29, 2014, "Information Disclosure Statement" filed with USPTO on August 29, 2014, 4 pages.

* cited by examiner

Primary Examiner — Brian N. Vinson

(74) *Attorney, Agent, or Firm* — Jessica R. Boer

(57) **CLAIM**

The ornamental design for an array including adjustable lighting fixtures on a pole, as shown and described.

DESCRIPTION

FIG. 1 is a perspective view of one embodiment of the claimed design in a one-crossarm configuration with no center lighting fixture;

FIG. 2 is a front elevation view of FIG. 1 including a portion of the pole;

FIG. 3 is a back elevation of FIG. 1 including a portion of the pole;

FIG. 4 is a right side elevation of FIG. 1 including a portion of the pole;

FIG. 5 is a left side elevation of FIG. 1 including a portion of the pole;

FIG. 6 is a top plan view of FIG. 1;

FIG. 7 is a bottom plan view of FIG. 1 rotated 180degrees;

FIG. 8 is a perspective view of another embodiment of the claimed design in a two-crossarm configuration with no center lighting fixtures;

FIG. 9 is a front elevation view of FIG. 8 including a portion of the pole;

FIG. 10 is a back elevation of FIG. 8 including a portion of the pole;

FIG. 11 is a right side elevation of FIG. 8 including a portion of the pole;

FIG. 12 is a left side elevation of FIG. 8 including a portion of the pole;

FIG. 13 is a top plan view of FIG. 8;

FIG. 14 is a bottom plan view of FIG. 8 rotated 180degrees;

FIG. 15 is a perspective view of another embodiment of the claimed design in a three-crossarm configuration with no center lighting fixtures;

FIG. 16 is a front elevation view of FIG. 15 including a portion of the pole;

FIG. 17 is a back elevation of FIG. 15 including a portion of the pole;

FIG. 18 is a right side elevation of FIG. 15 including a portion of the pole;

FIG. 19 is a left side elevation of FIG. 15 including a portion of the pole;

FIG. 20 is a top plan view of FIG. 15;

FIG. 21 is a bottom plan view of FIG. 15 rotated 180degrees;

FIG. 22 is a perspective view of the claimed design in a six lighting fixture configuration;

FIG. 23 is an enlarged perspective view of the upper portion of the design;

FIG. 24 is a front elevation view of FIG. 23 including a portion of the pole;

FIG. 25 is a back elevation of FIG. 23 including a portion of the pole;

FIG. 26 is a top plan view of FIG. 23;

FIG. 27 is a bottom plan view of FIG. 23 rotated 180degrees;

FIG. 28 is a right side elevation of FIG. 23 including a portion of the pole;

FIG. 29 is a left side elevation of FIG. 23 including a portion of the pole;

FIG. 30 is a perspective view of the claimed design in an eighteen lighting fixture configuration;

FIG. 31 is an enlarged perspective view of the upper portion of the design;

FIG. 32 is a front elevation view of FIG. 31 including a portion of the pole;

FIG. 33 is a back elevation of FIG. 31 including a portion of the pole;

FIG. 34 is a top plan view of FIG. 31;

FIG. 35 is a bottom plan view of FIG. 31 rotated 180degrees;

FIG. 36 is a right side elevation of FIG. 31 including a portion of the pole;

FIG. 37 is a left side elevation of FIG. 31 including a portion of the pole;

FIG. 38 is an isolated back perspective view of the lighting fixture of FIGS. 1-37; and,

FIG. 39 is an isolated front perspective view of the lighting fixture of FIGS. 1-37.

The separations indicated by double break lines in FIGS. 2-5, 9-12, and 16-19 indicate the precise length of pole of the array including adjustable lighting fixtures on a pole forms no part of the claimed design. The broken lines at either end of each crossarm and at each lighting fixture entirely in broken line of FIGS. 1-21 indicate (i) the precise length of crossarms and (ii) the precise number of lighting fixtures (both total number and number per crossarm) of the array including adjustable lighting fixtures on a pole forms no part of the claimed design; all other broken lines shown in FIGS. 1-21 indicate unclaimed portions of the array including adjustable lighting fixtures on a pole and forms no part of the claimed design.

The separations indicated by brackets in FIGS. 22 and 30 and indicated by double break lines in FIGS. 24, 25, 28, 29, 32, 33, 36, and 37 indicate the precise length of pole of the array including adjustable lighting fixtures on a pole forms no part of the claimed design. The broken lines shown in FIGS. 22-39 indicate unclaimed portions of the array including adjustable lighting fixtures on a pole and forms no part of the claimed design.

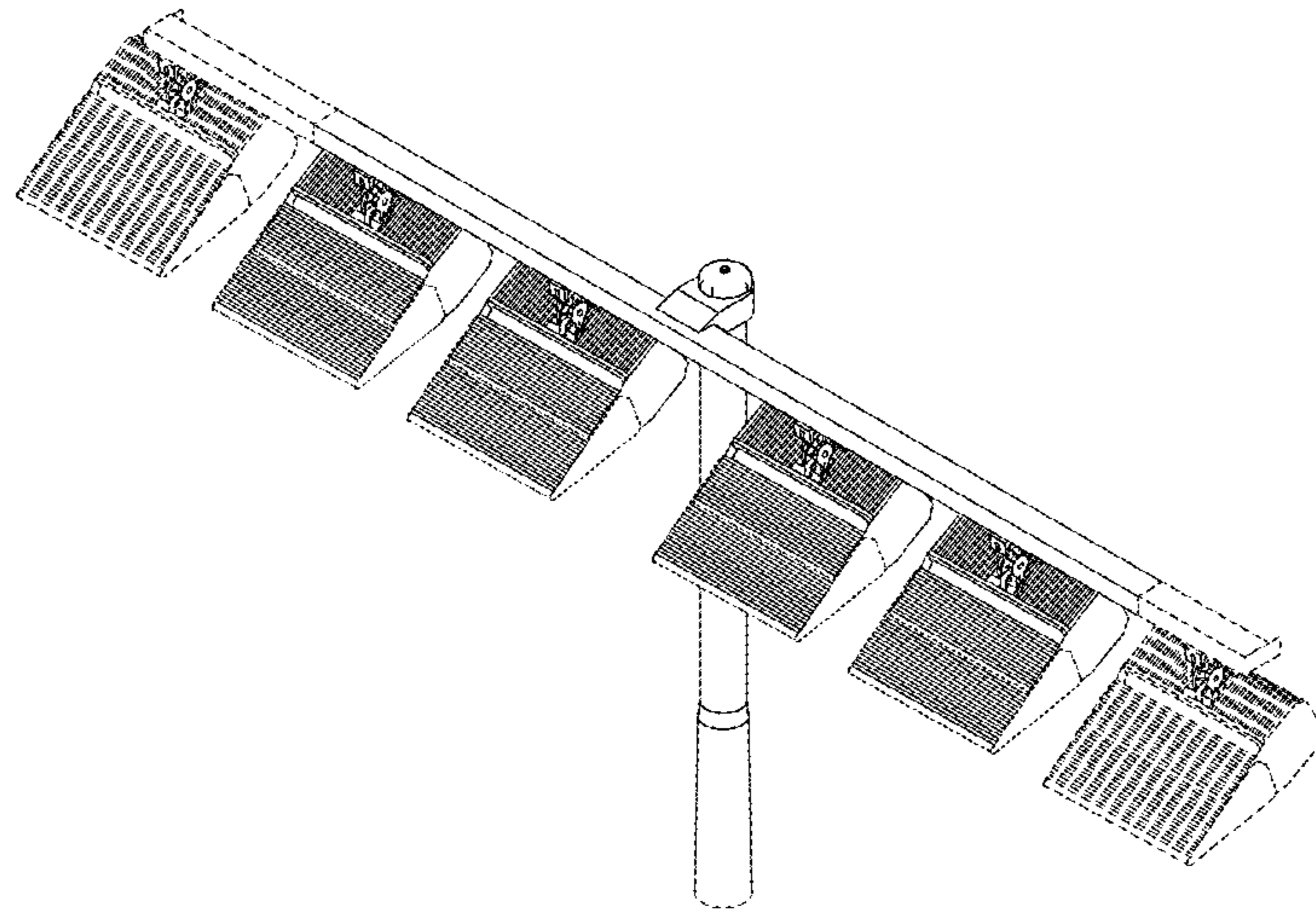


Fig 1

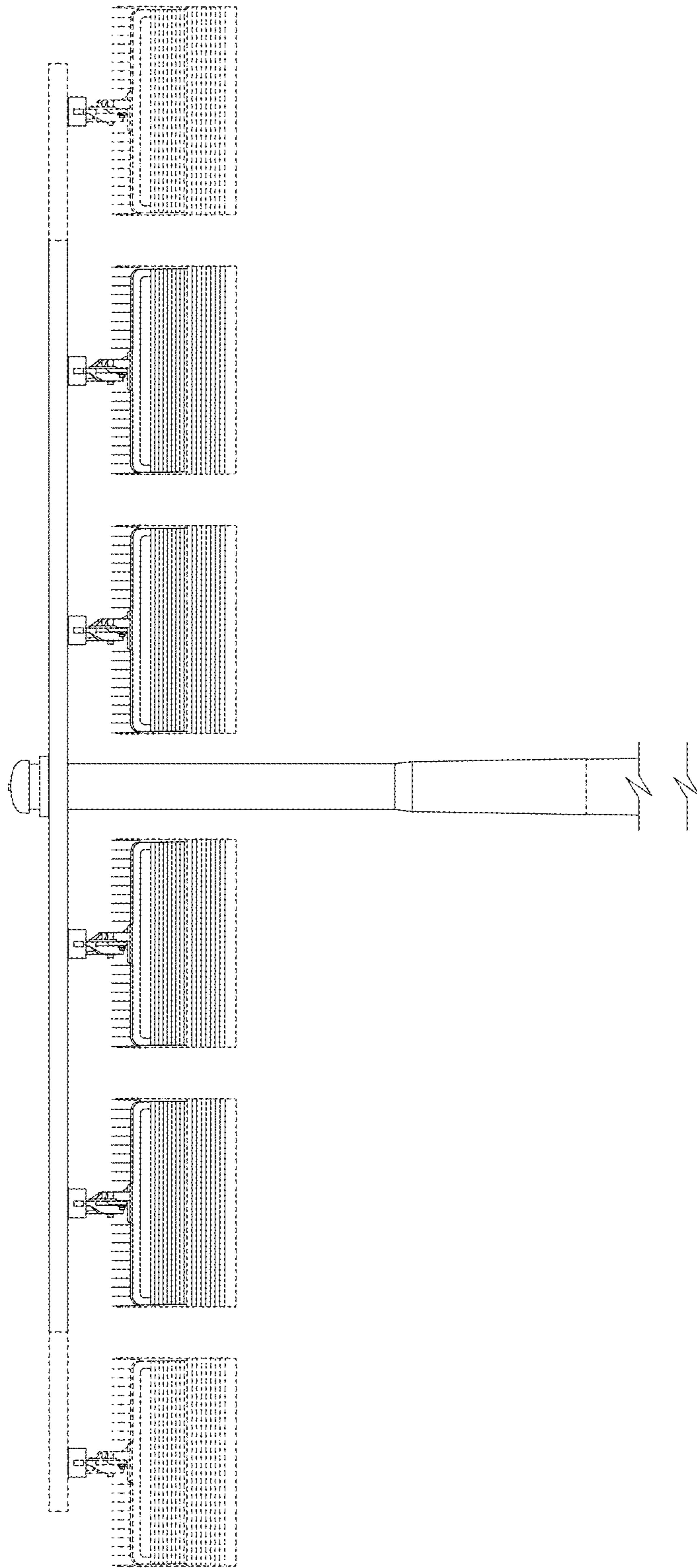


Fig 2

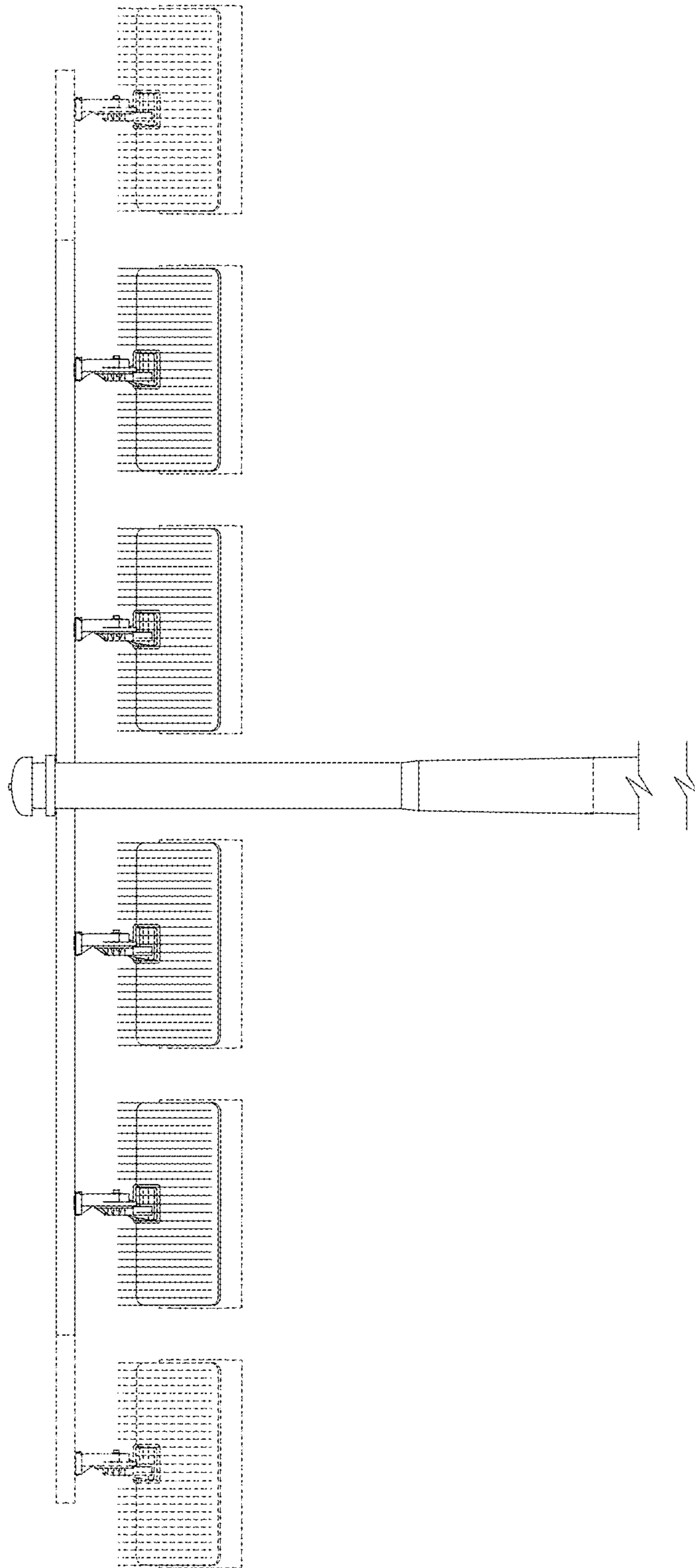


Fig 3

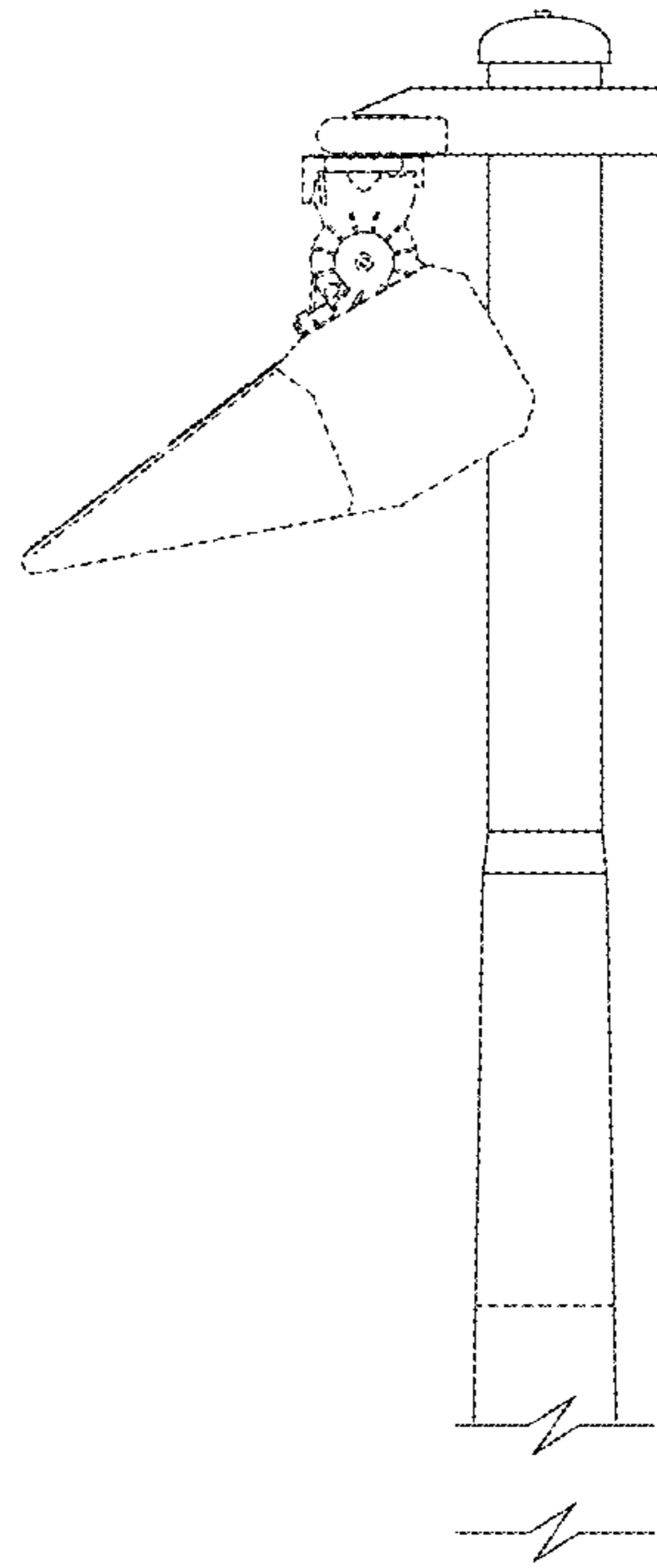


Fig 4

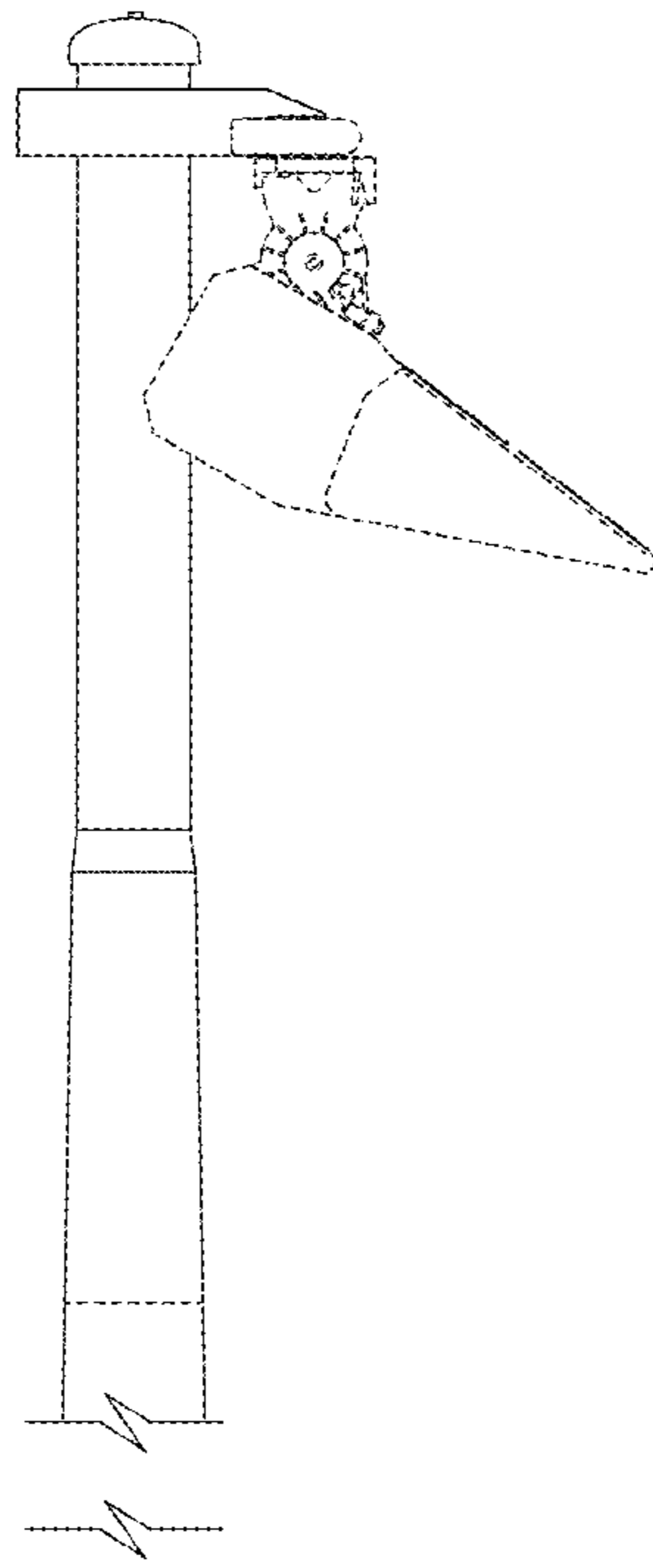


Fig 5

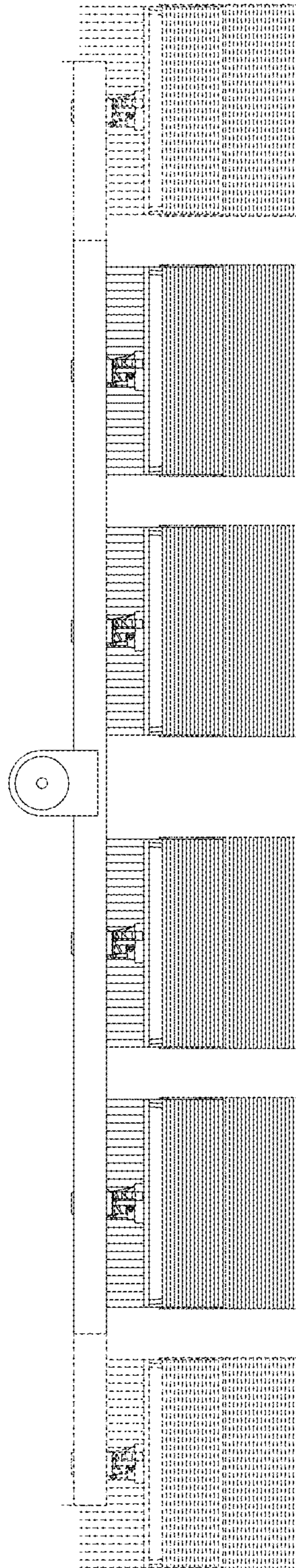


Fig 6

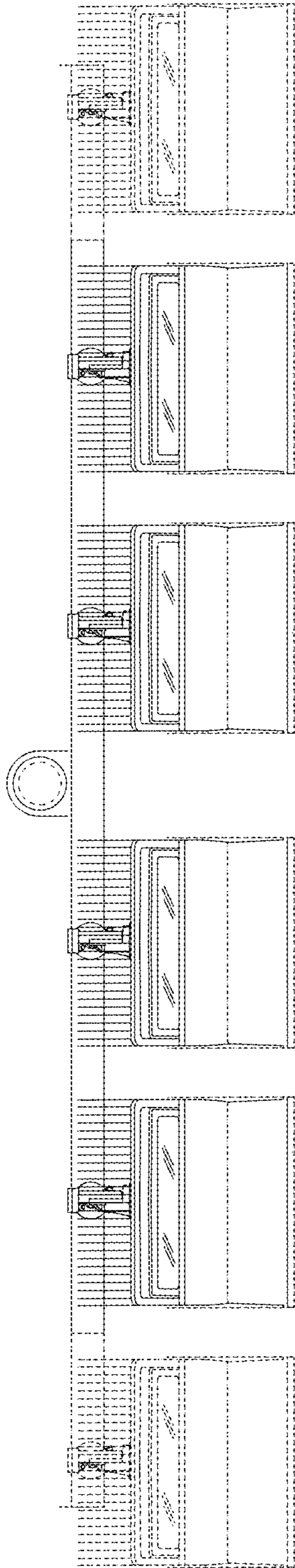


Fig 7

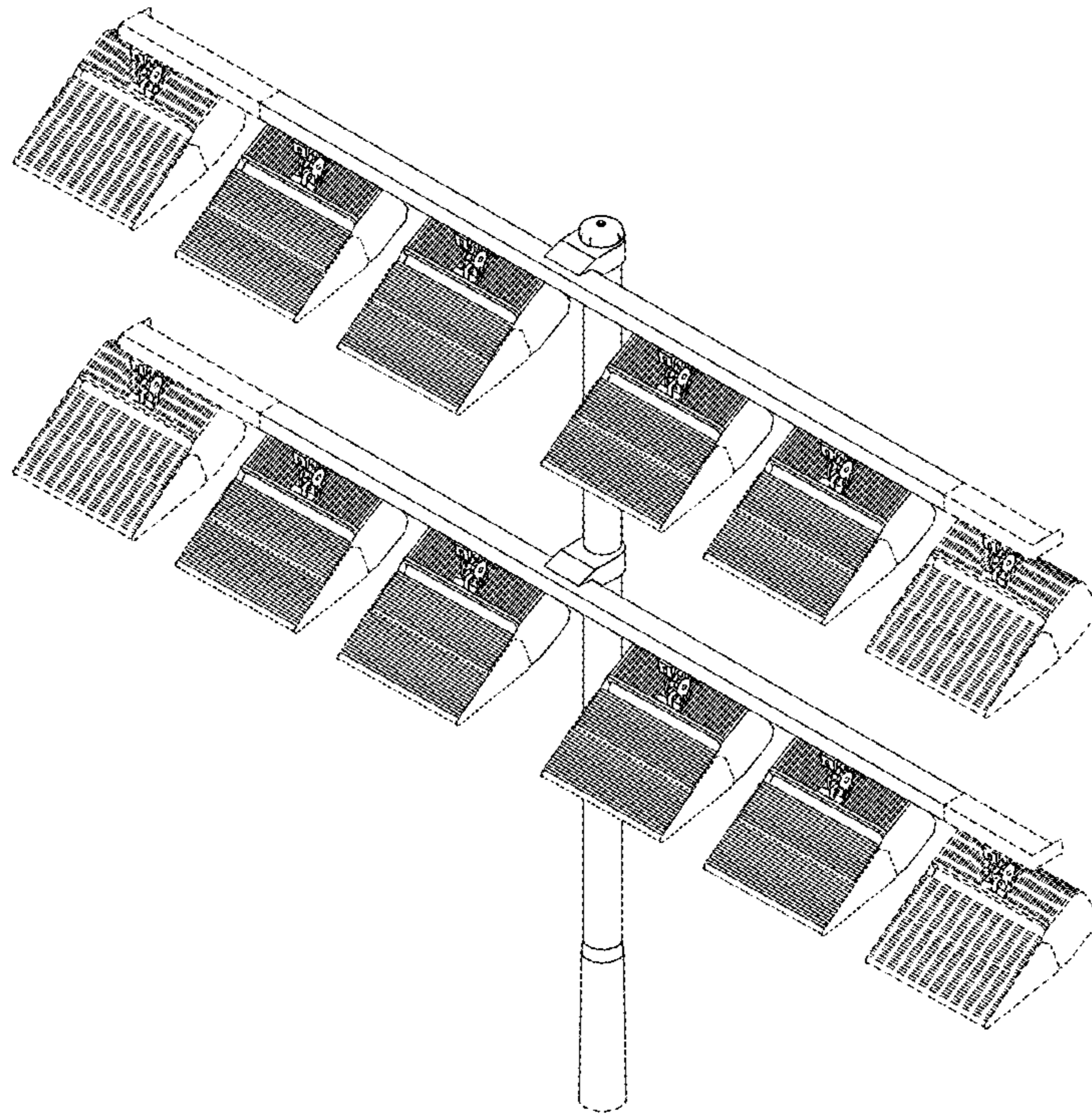


Fig 8

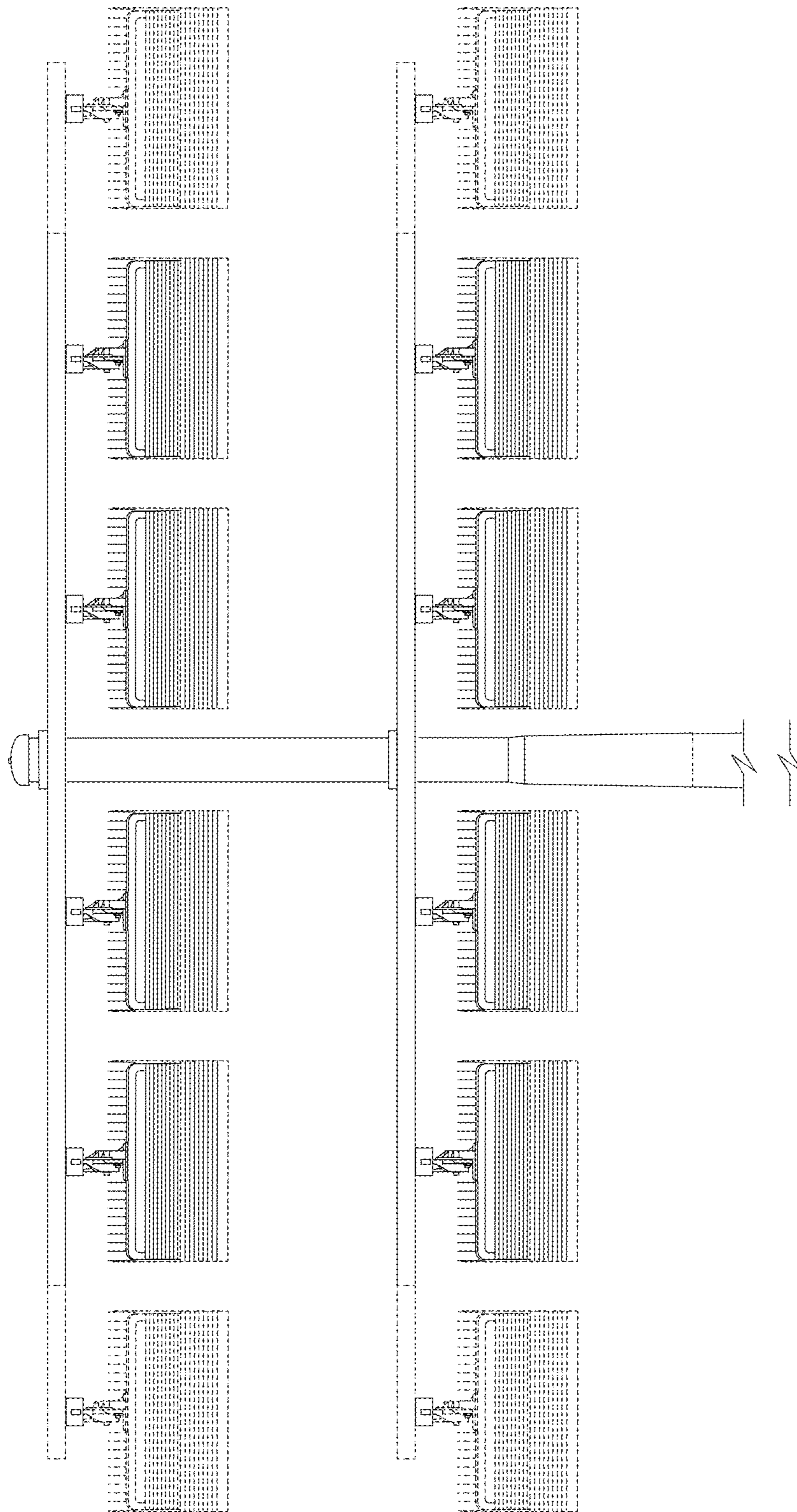


Fig 9

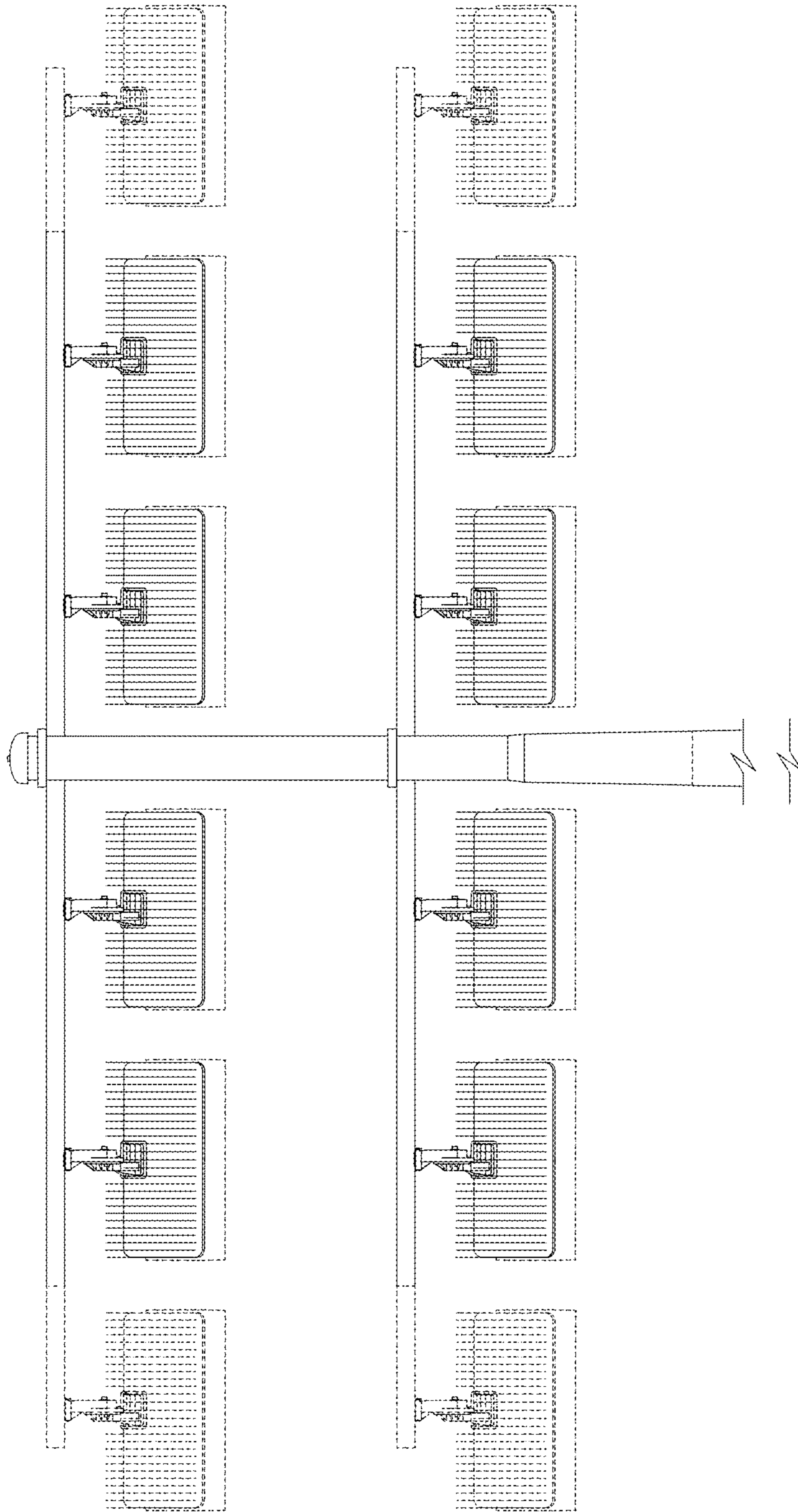


Fig 10

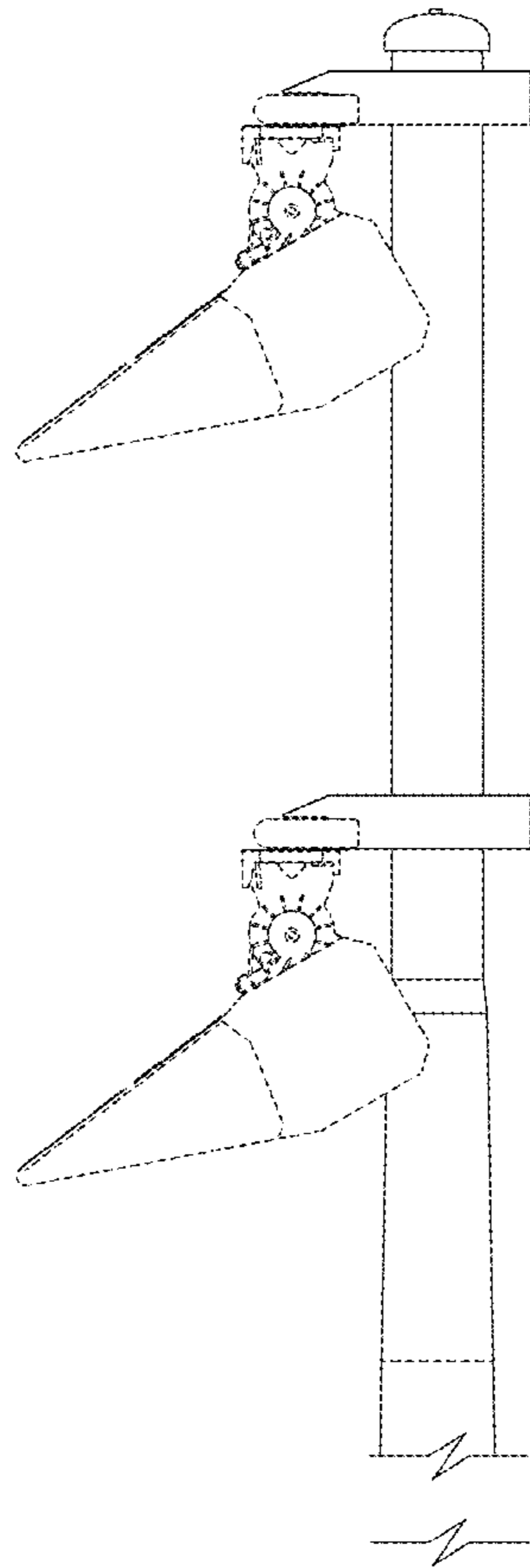


Fig 11

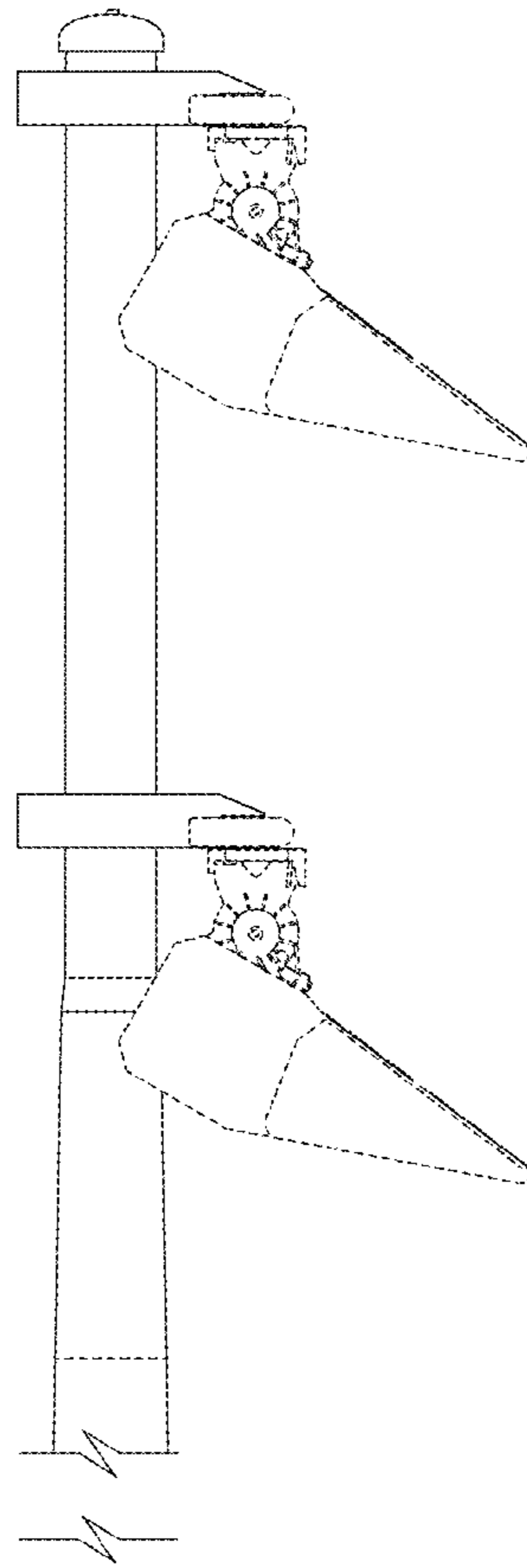


Fig 12

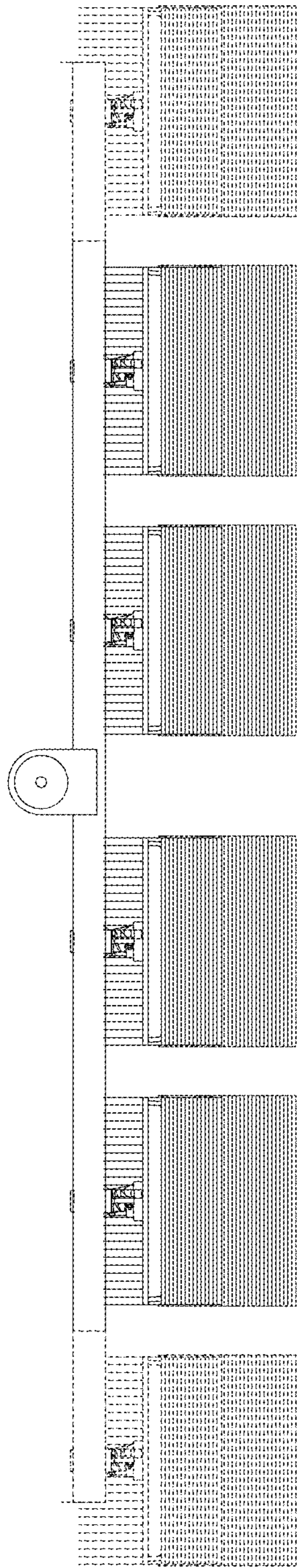


Fig 13

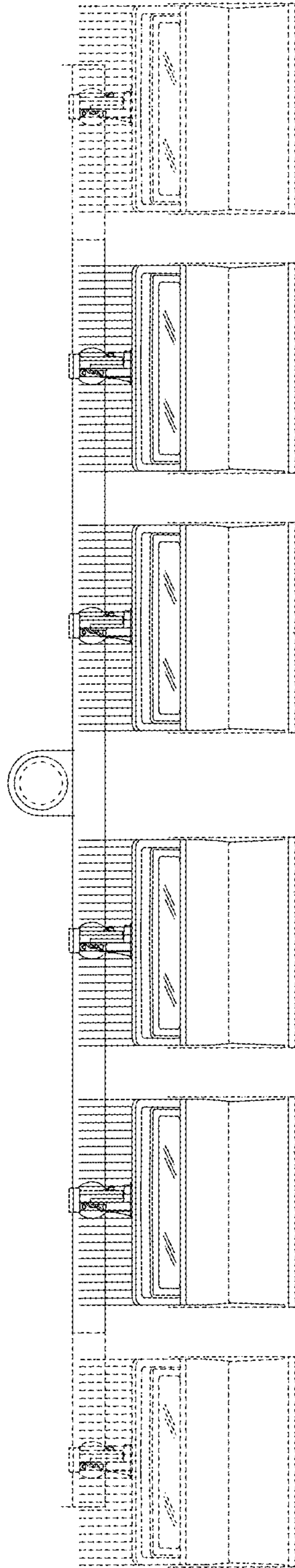


Fig 14

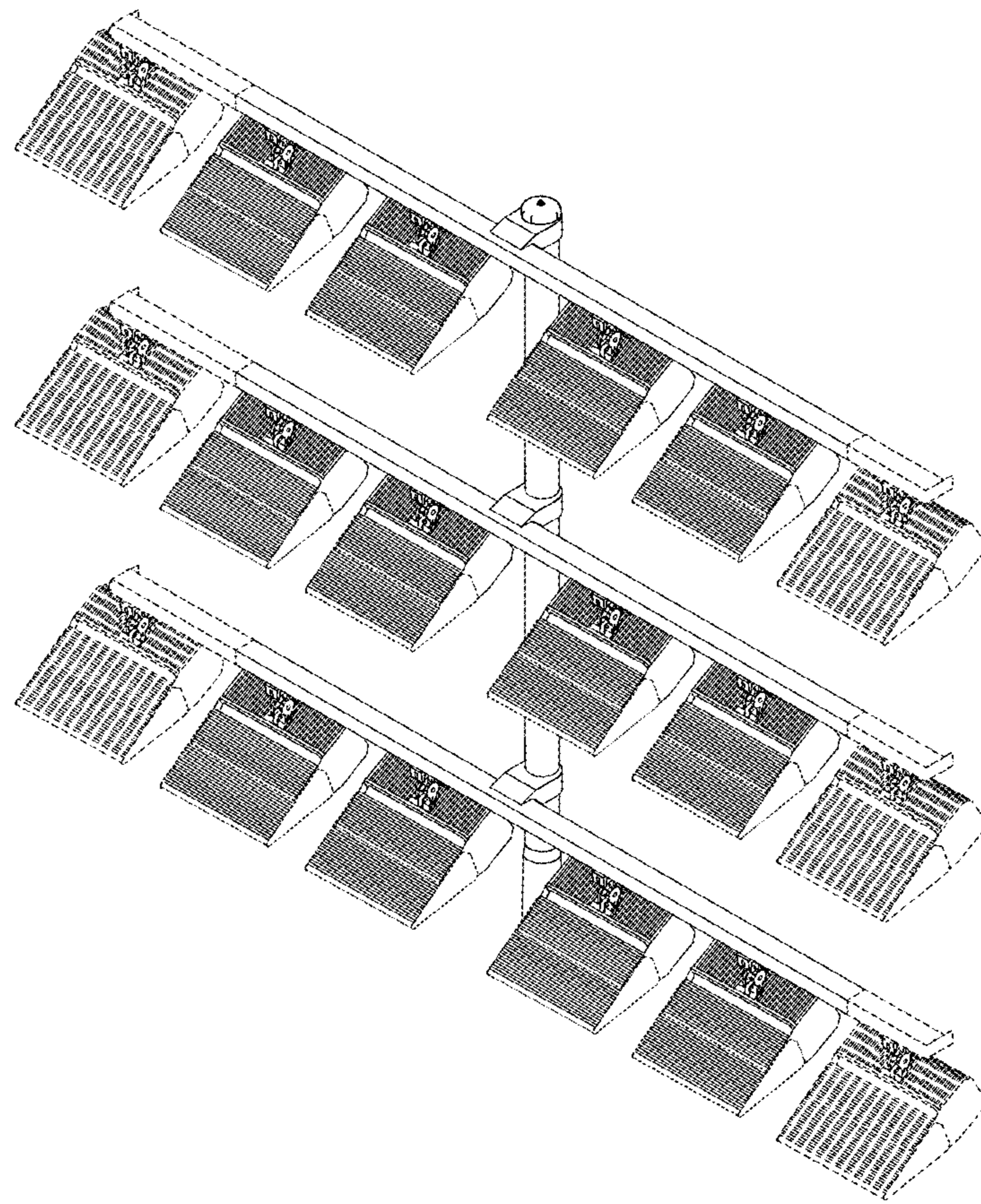


Fig 15

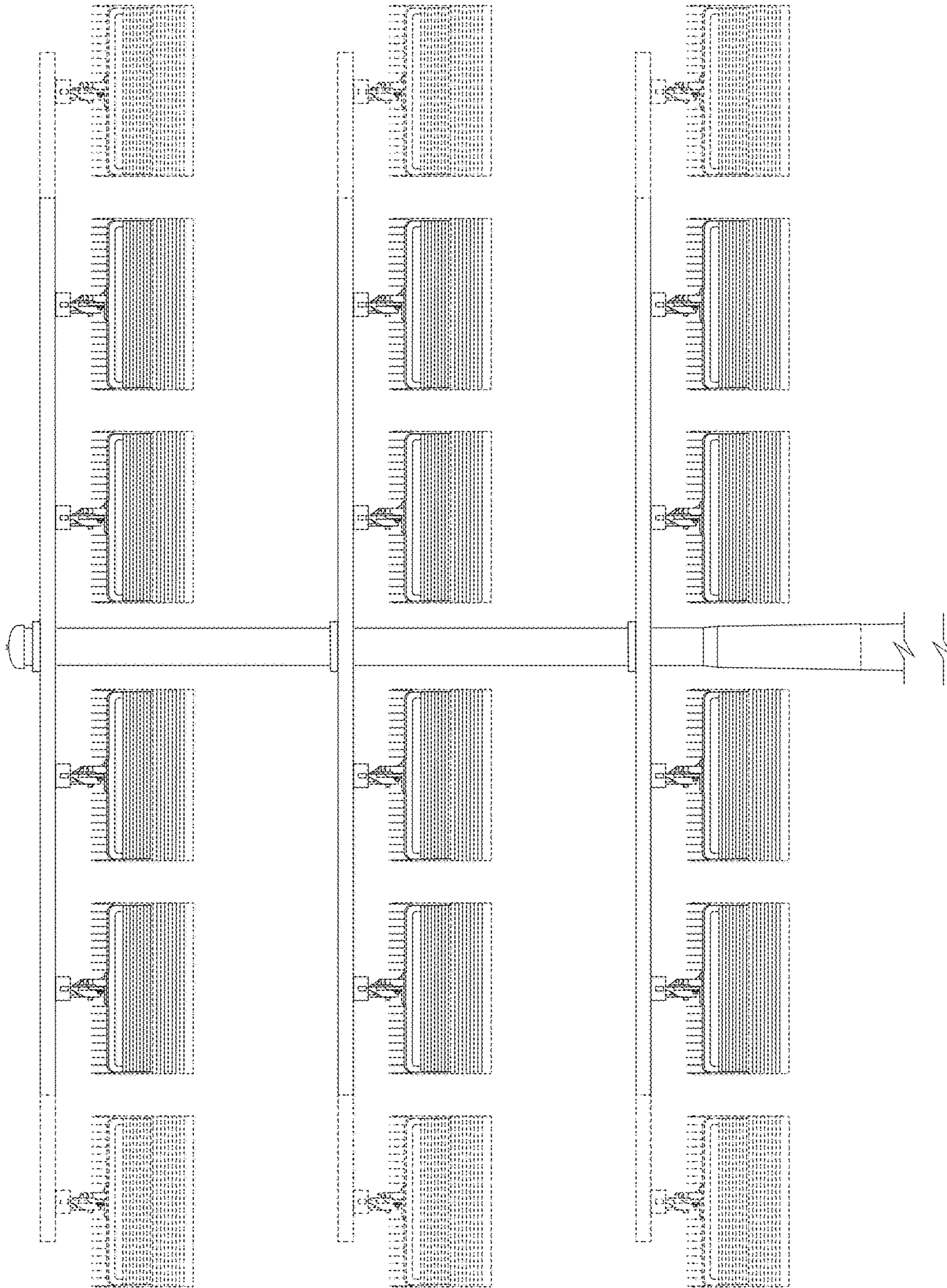


Fig 16

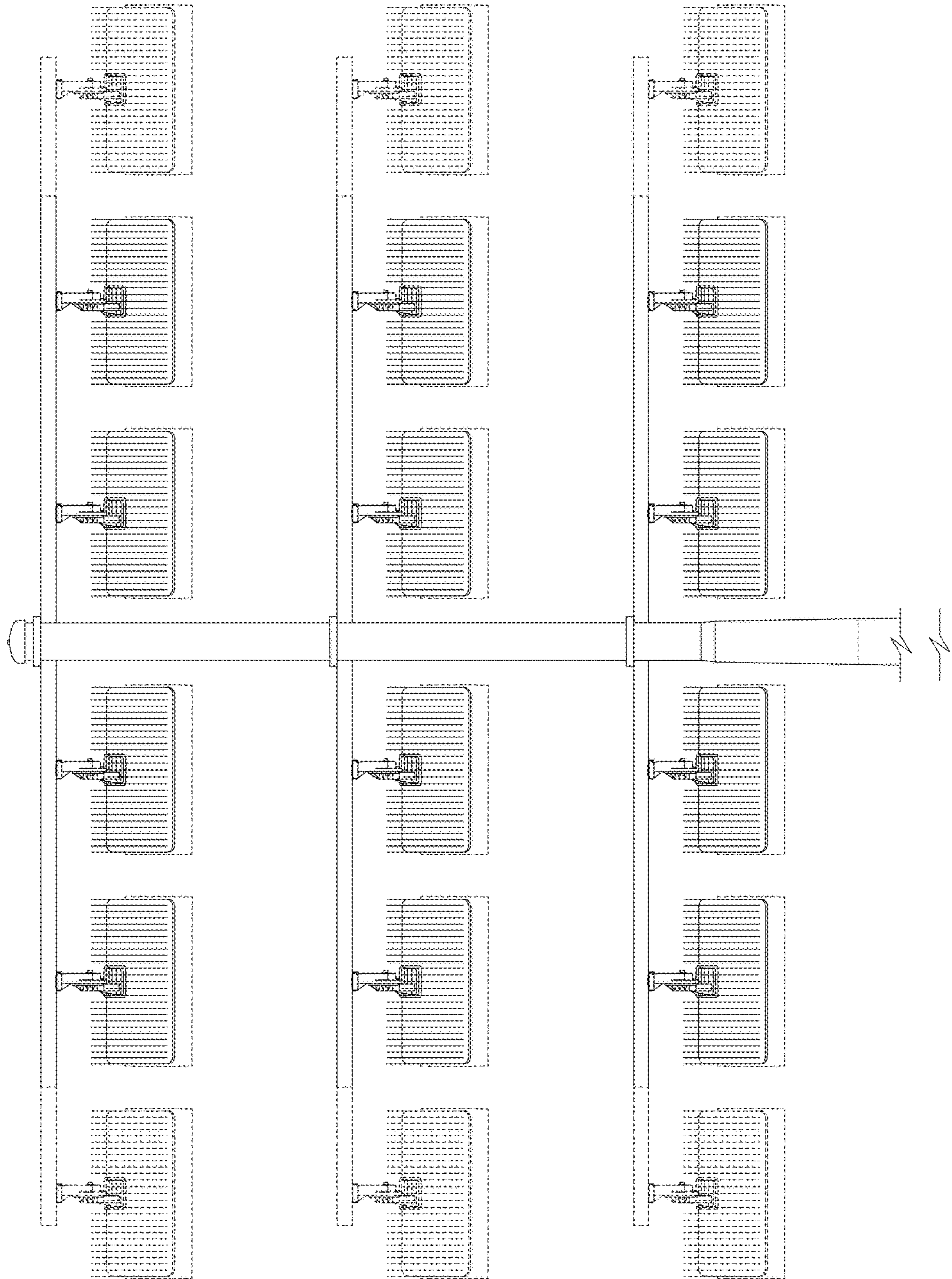


Fig 17

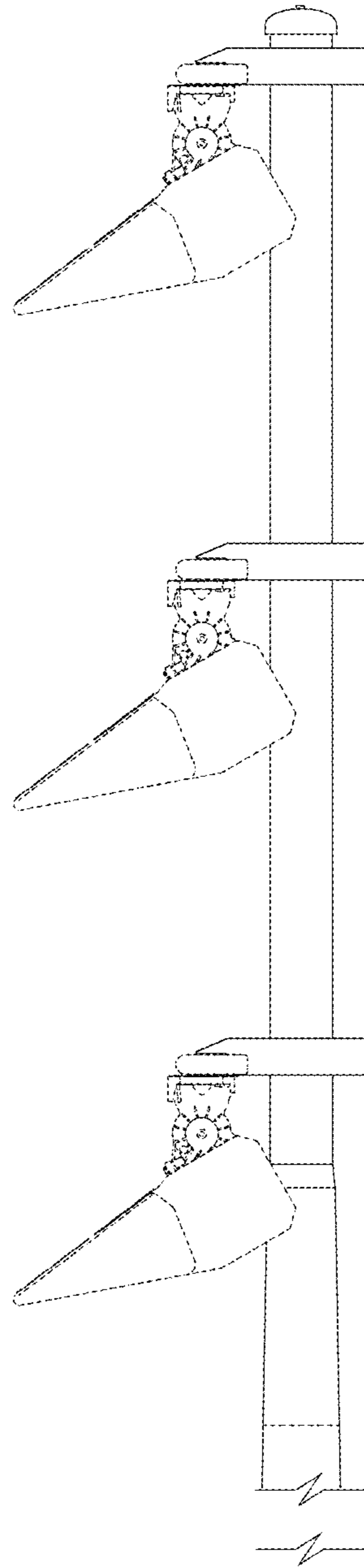


Fig 18

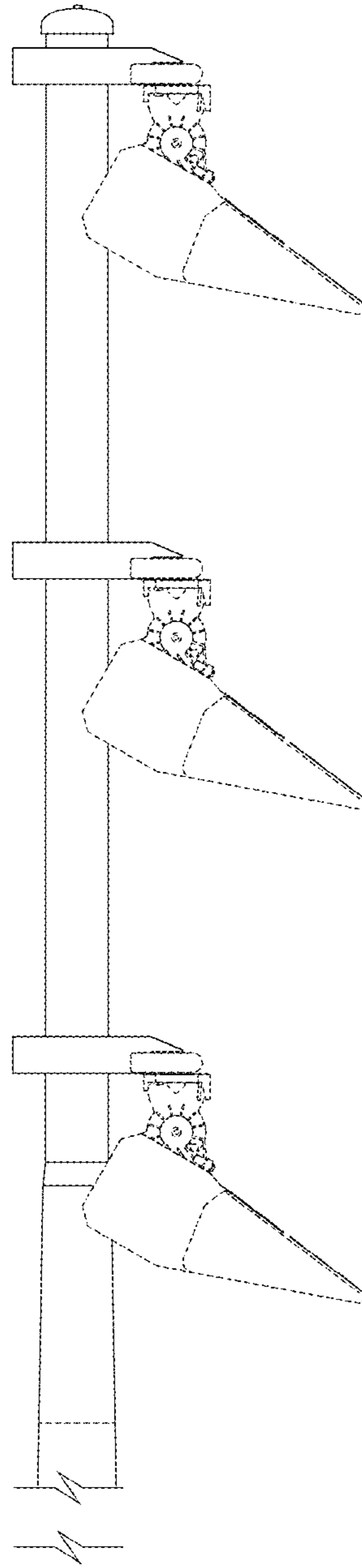


Fig 19

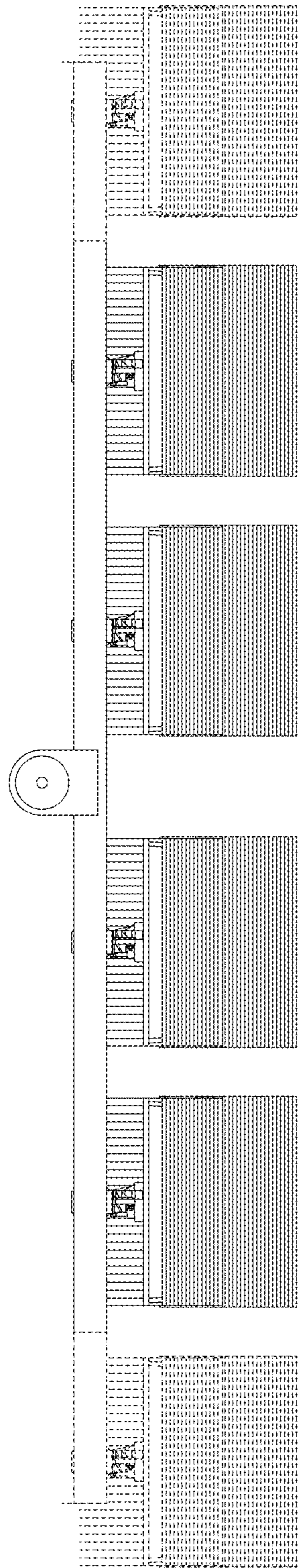


Fig 20

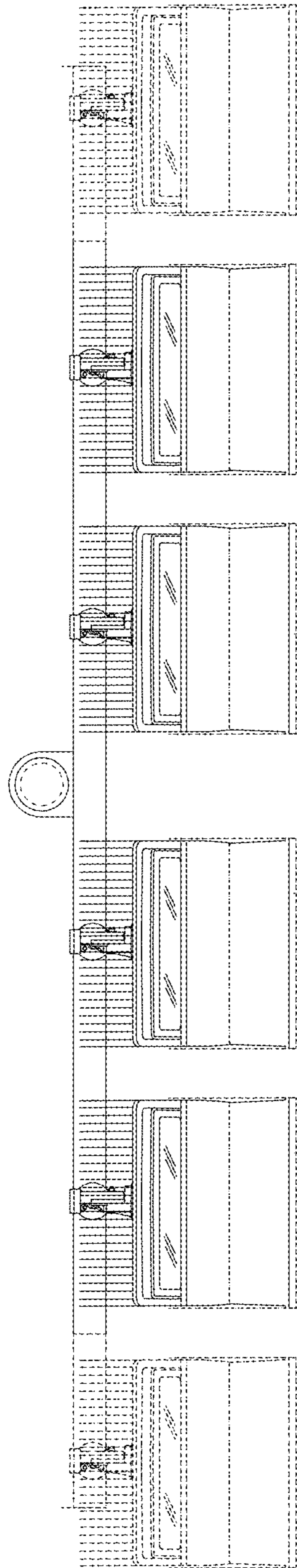


Fig 21

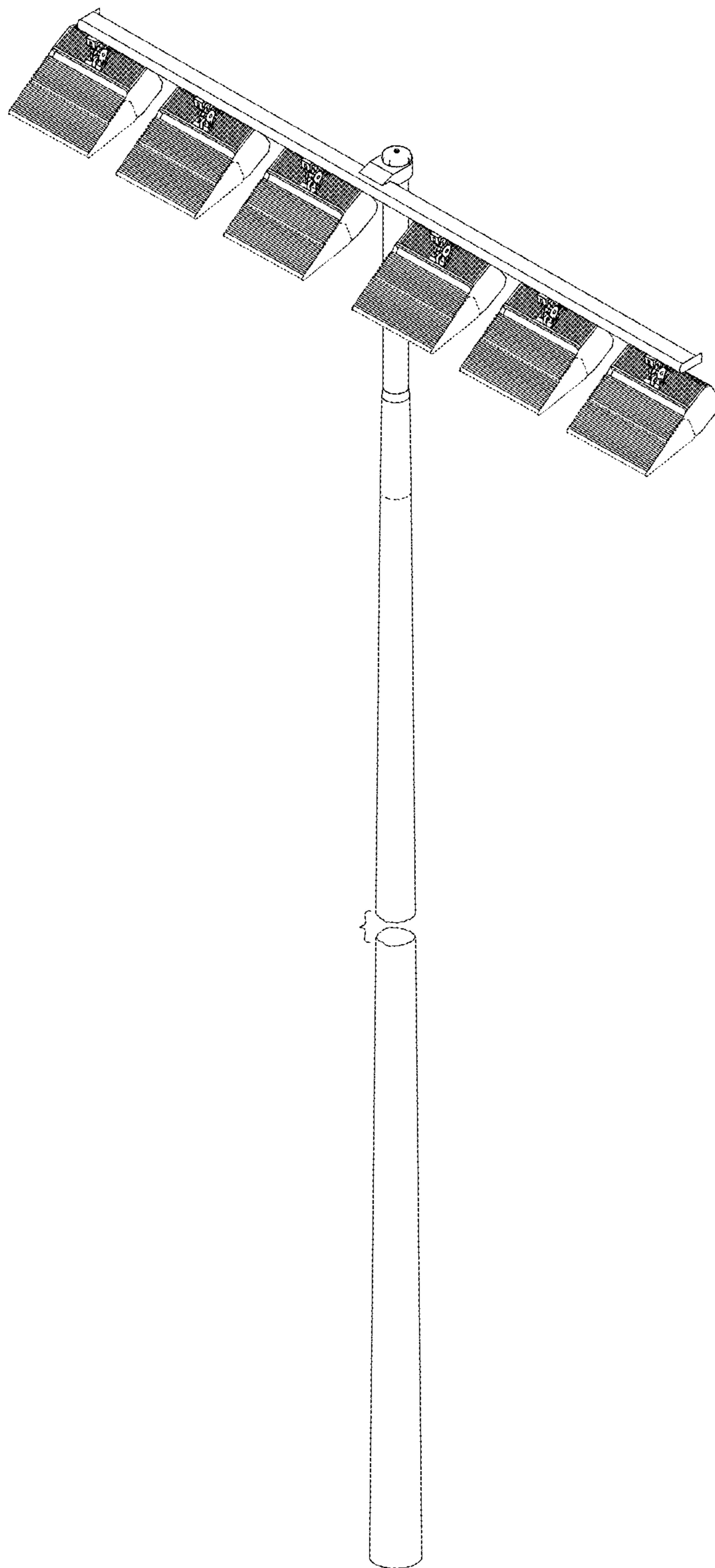


Fig 22

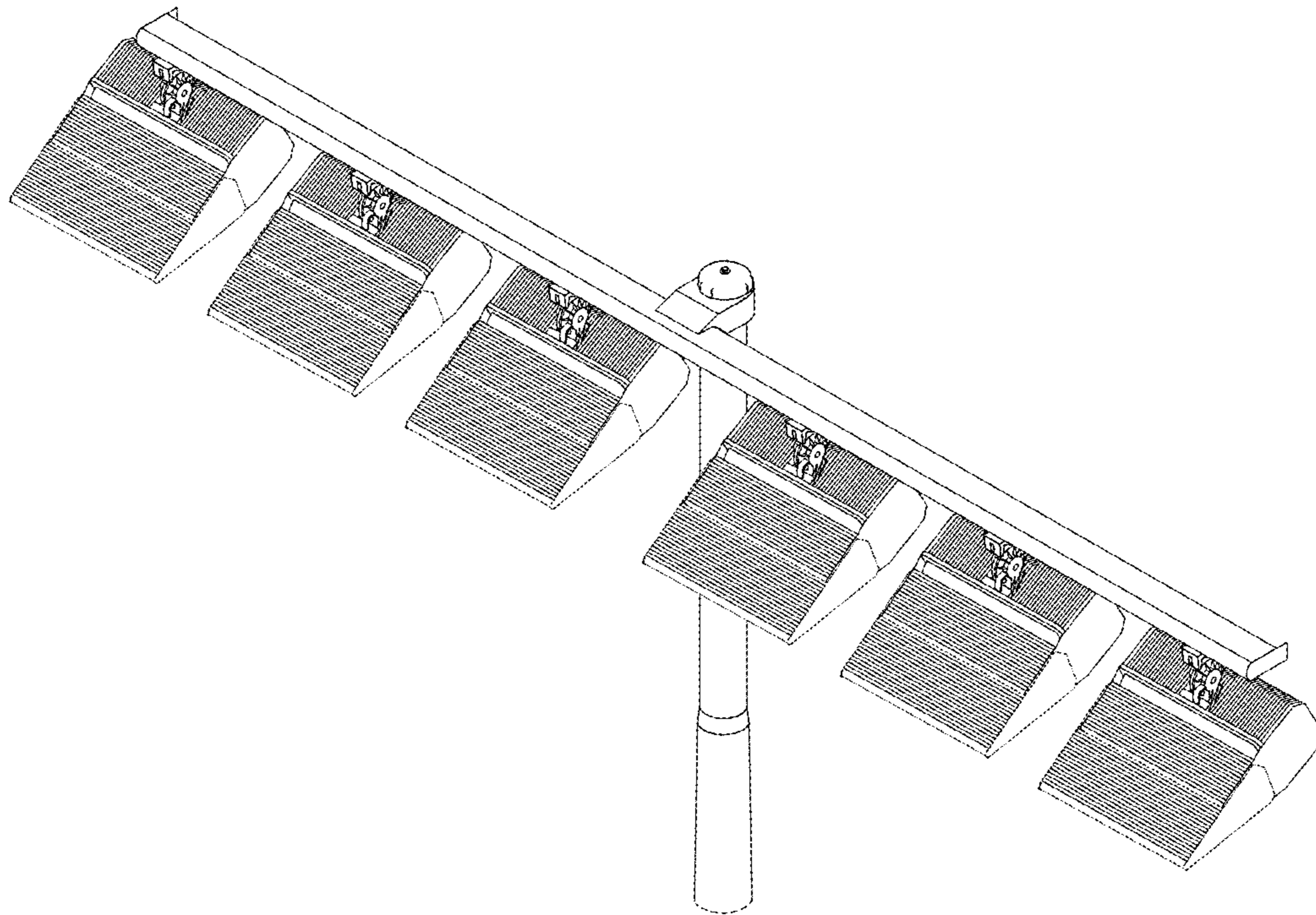


Fig 23

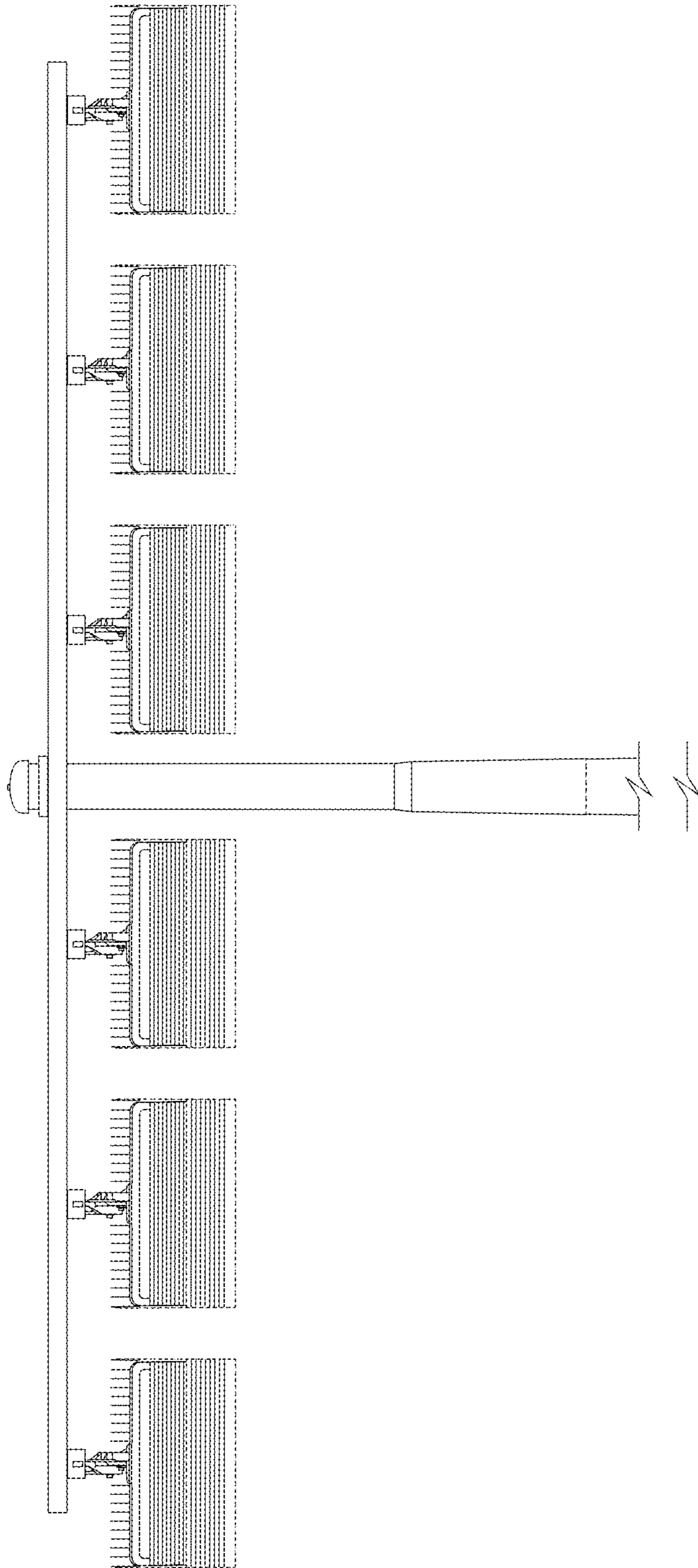


Fig 24

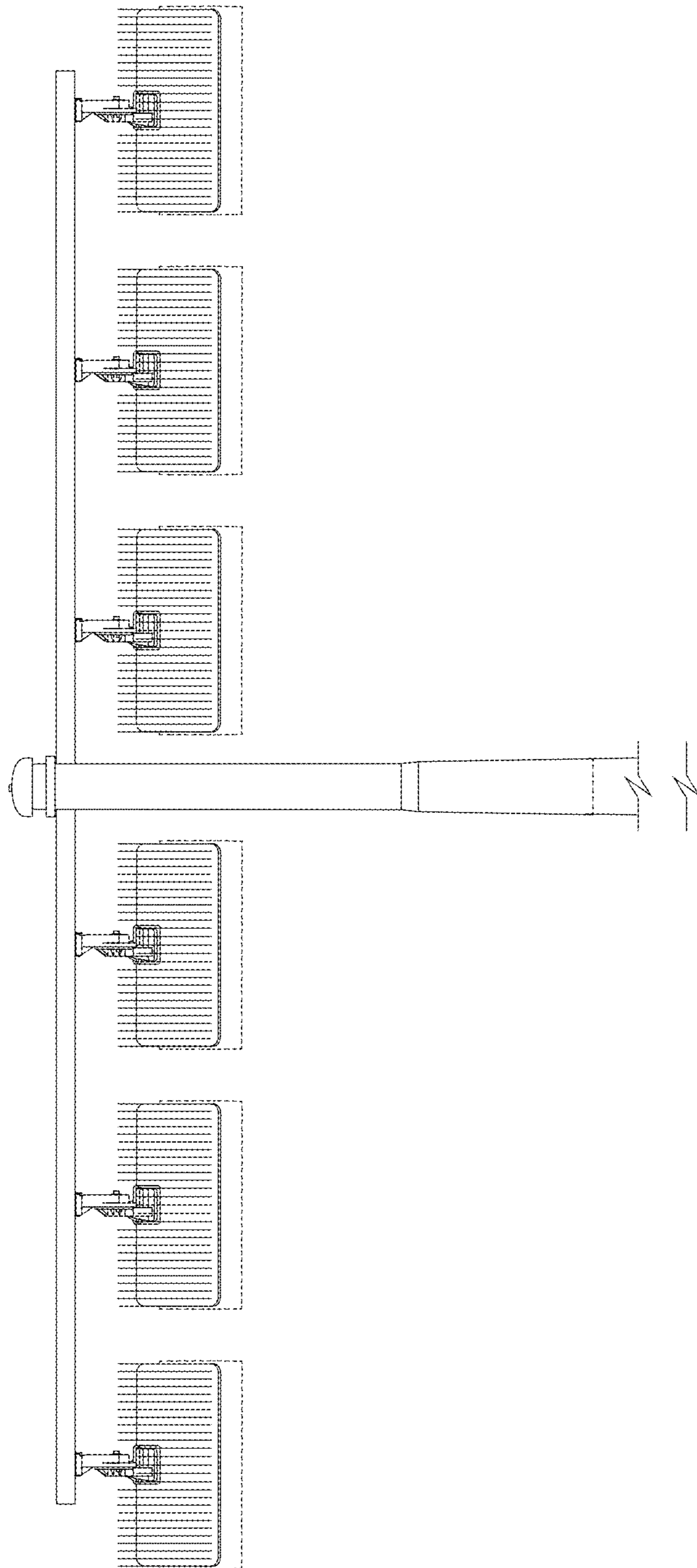


Fig 25

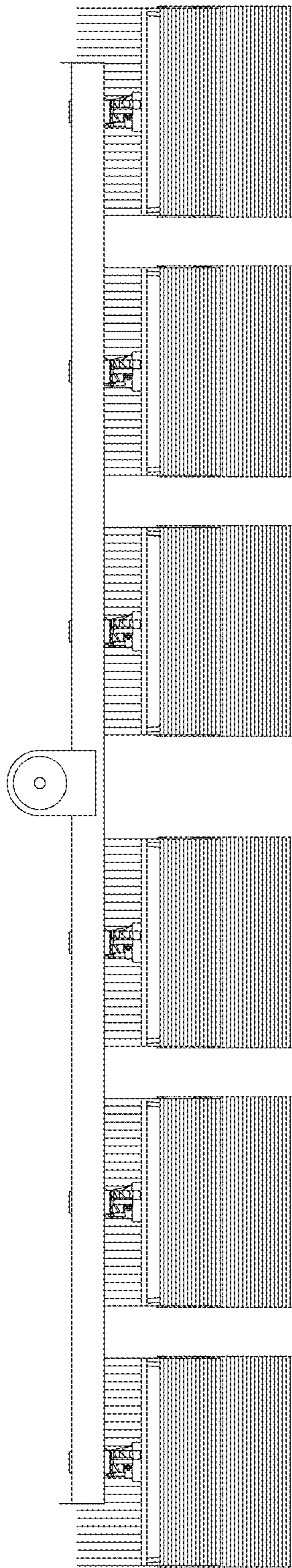


Fig 26

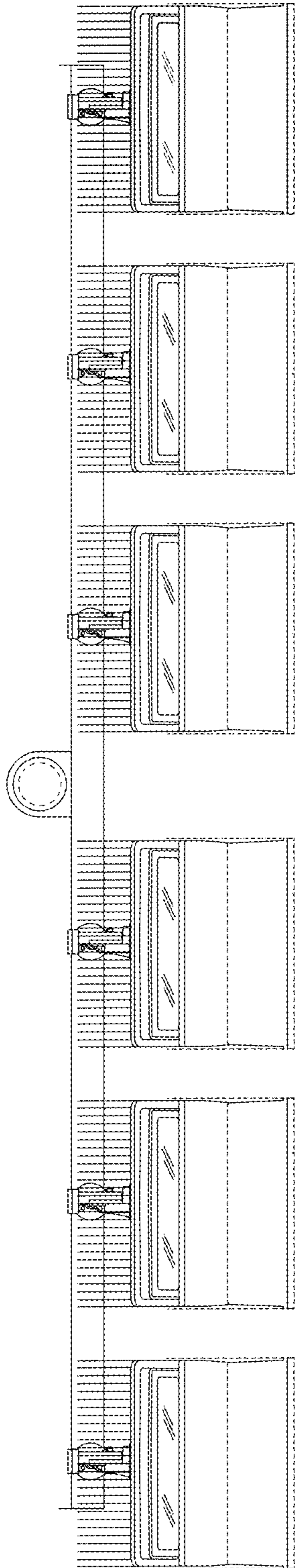


Fig 27

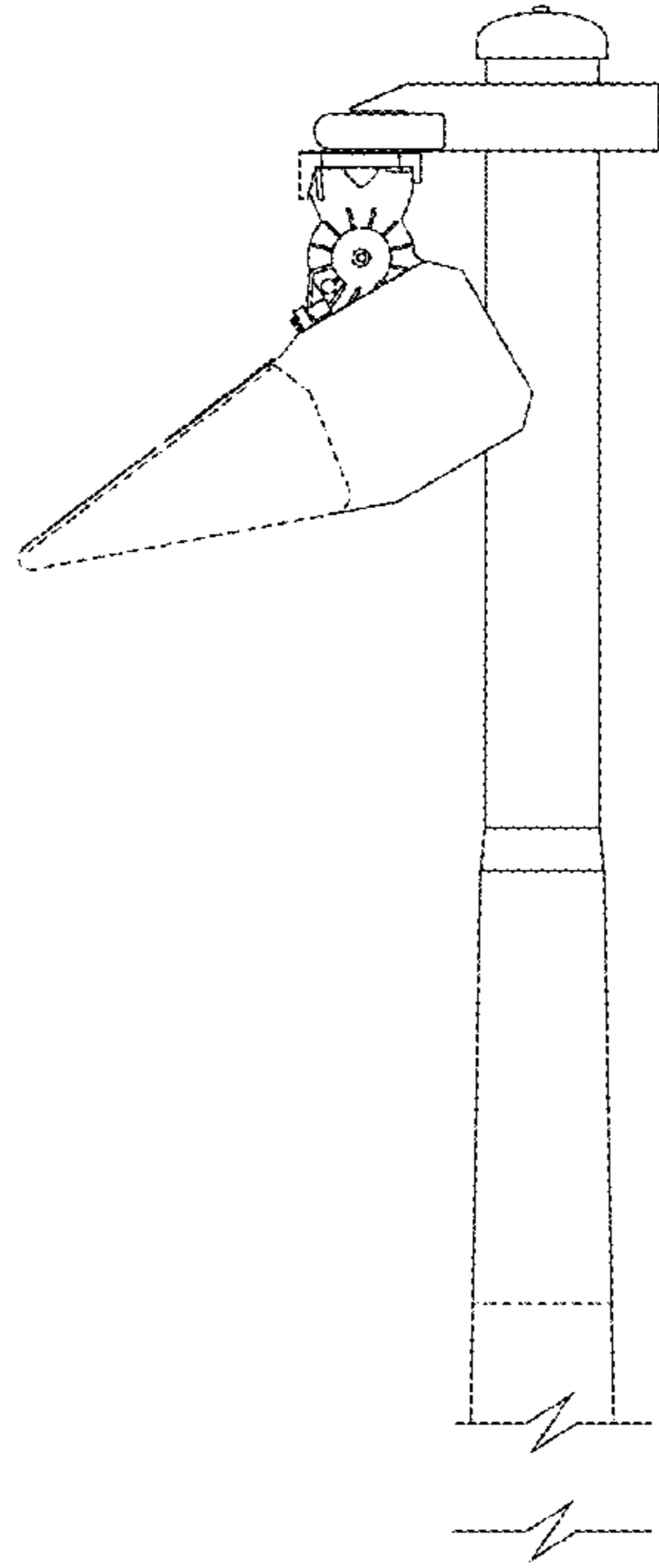


Fig 28

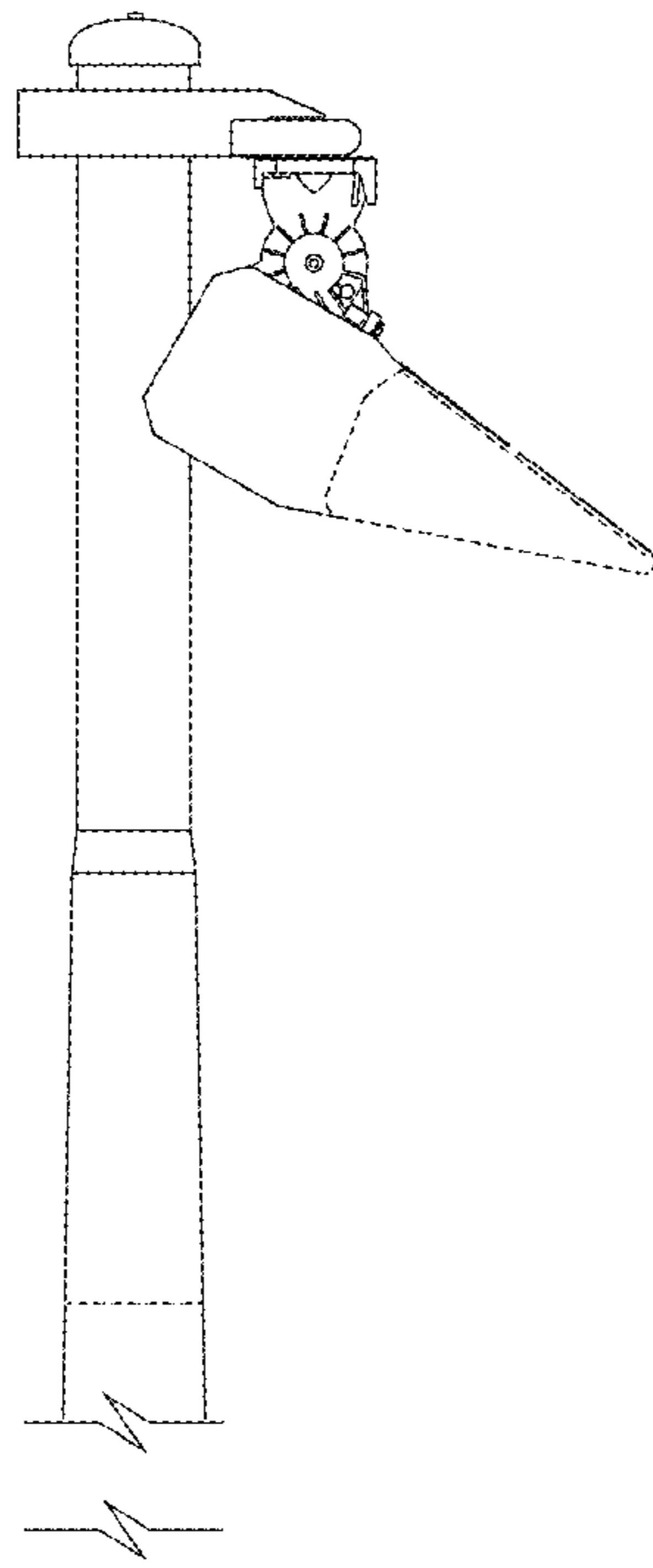


Fig 29

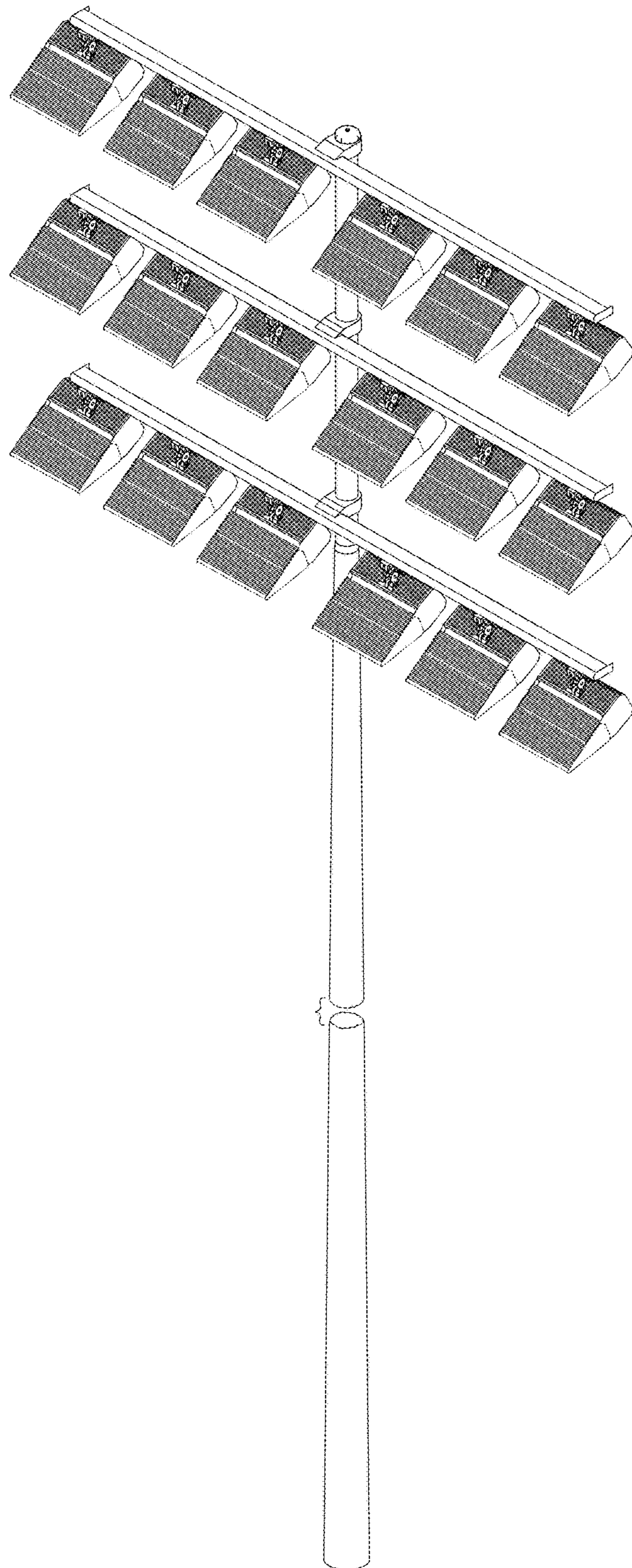


Fig 30

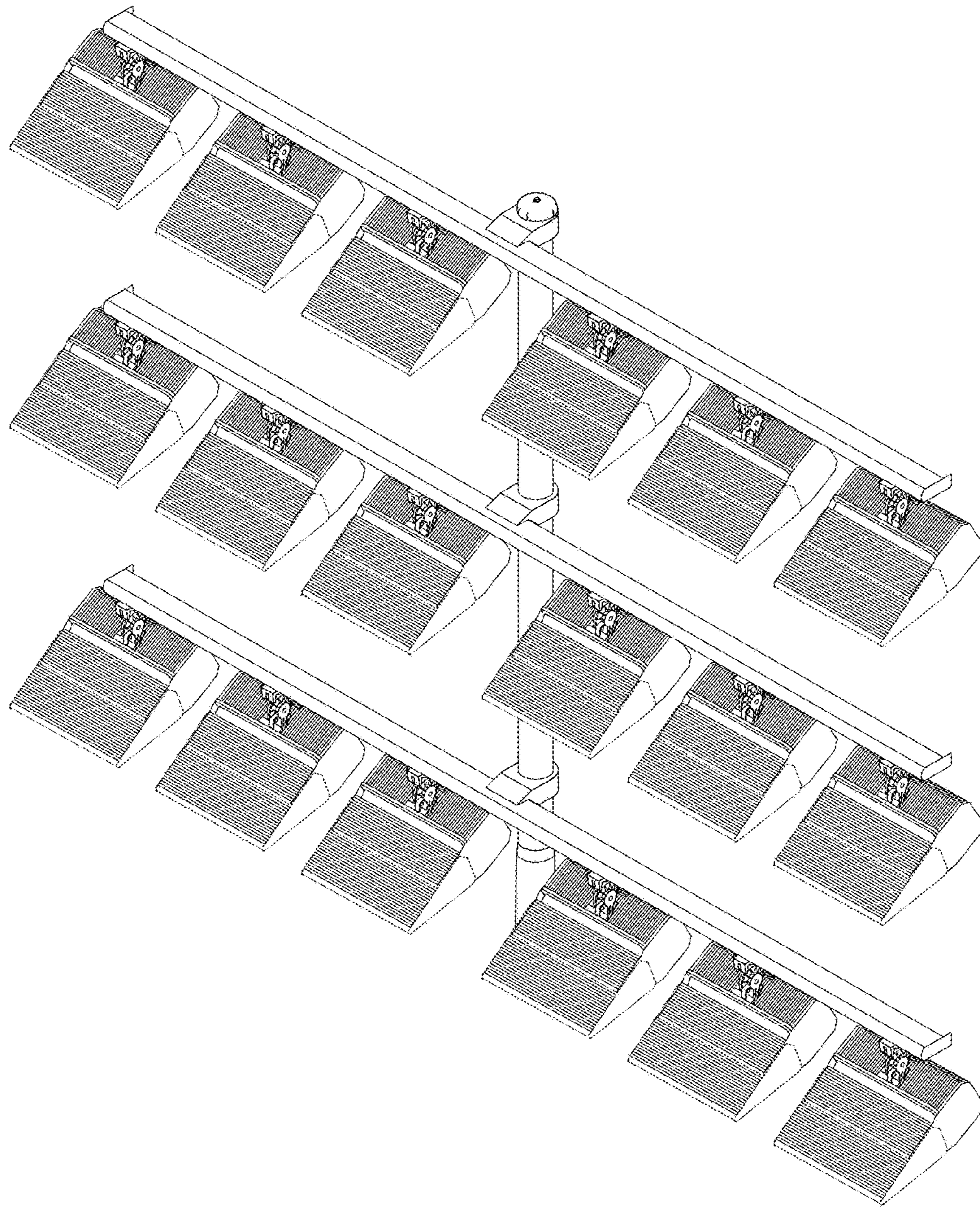


Fig 31

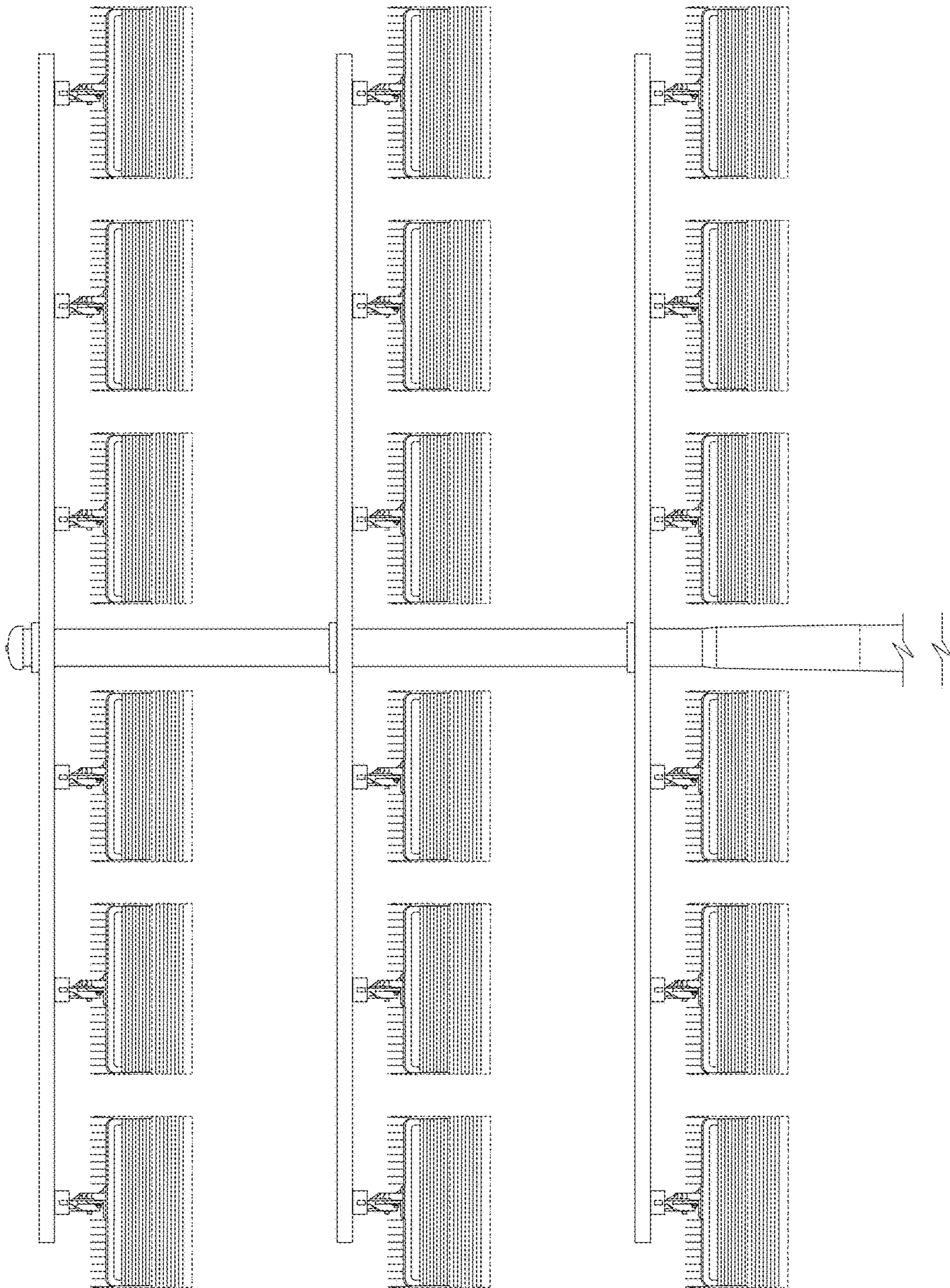


Fig 32

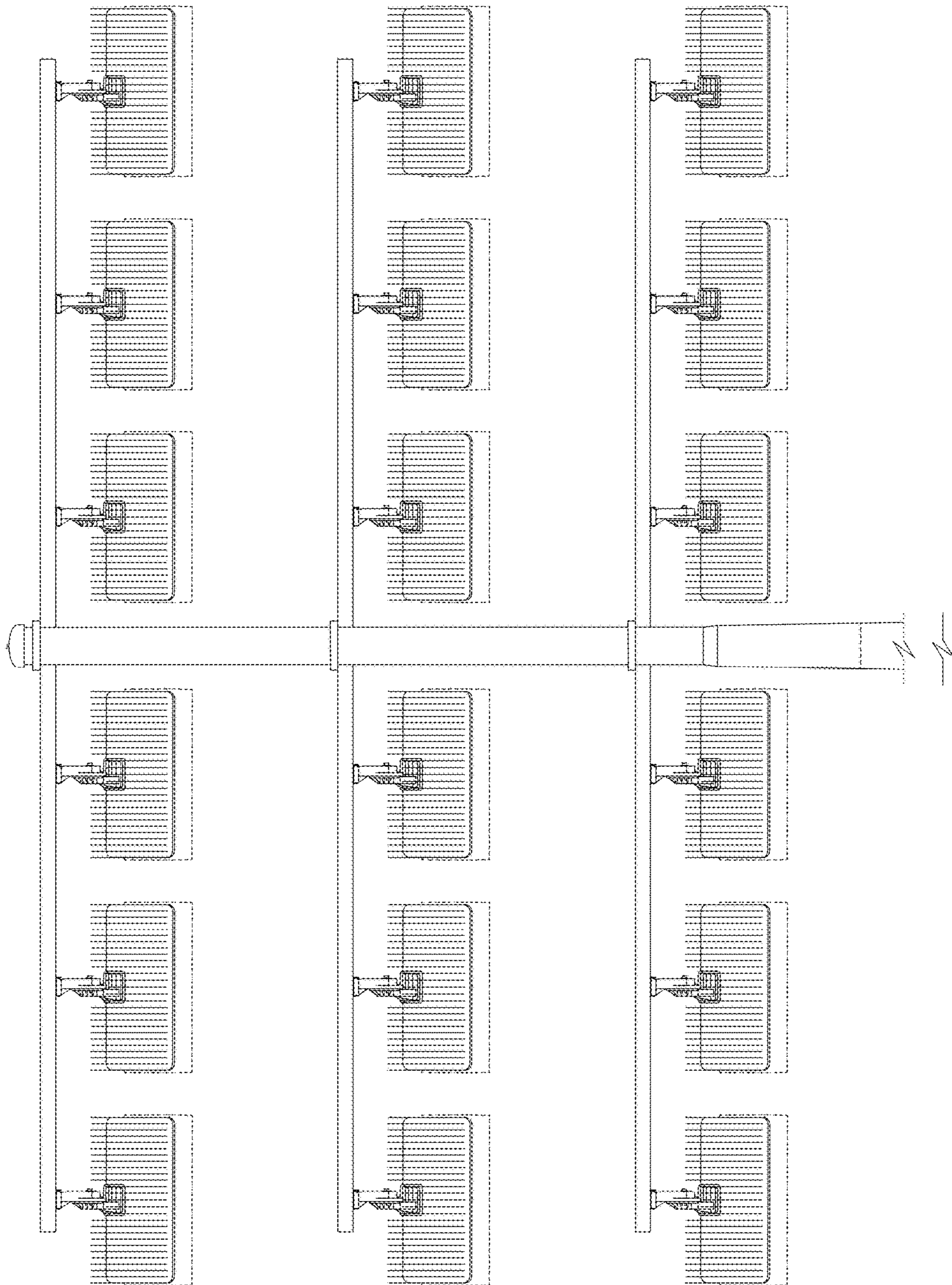


Fig 33

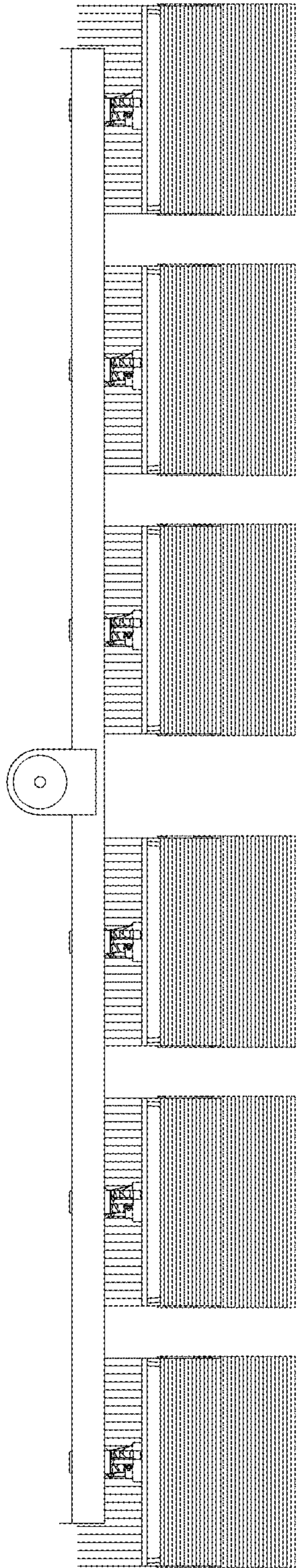


Fig 34

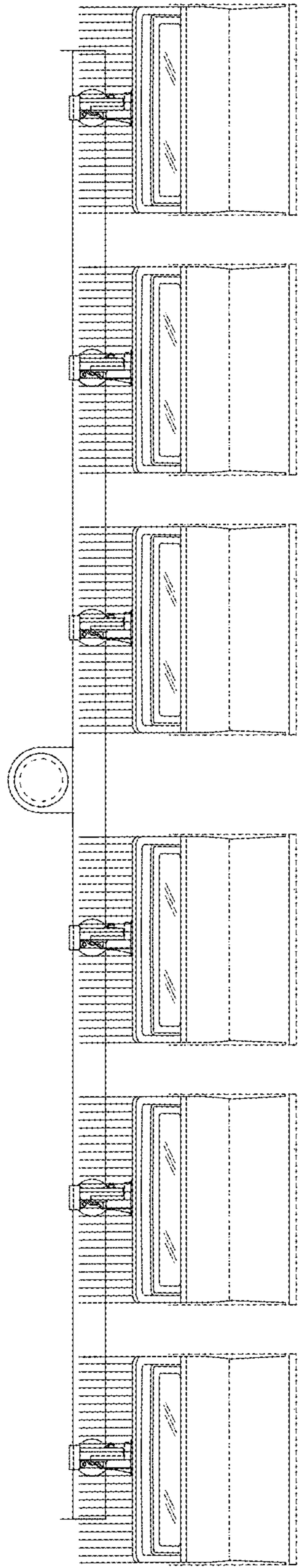


Fig 35

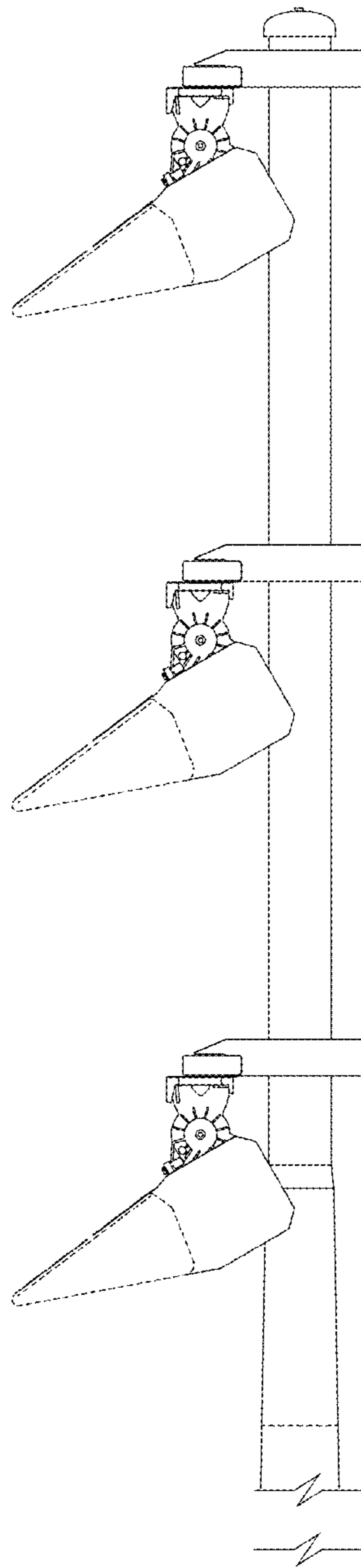


Fig 36

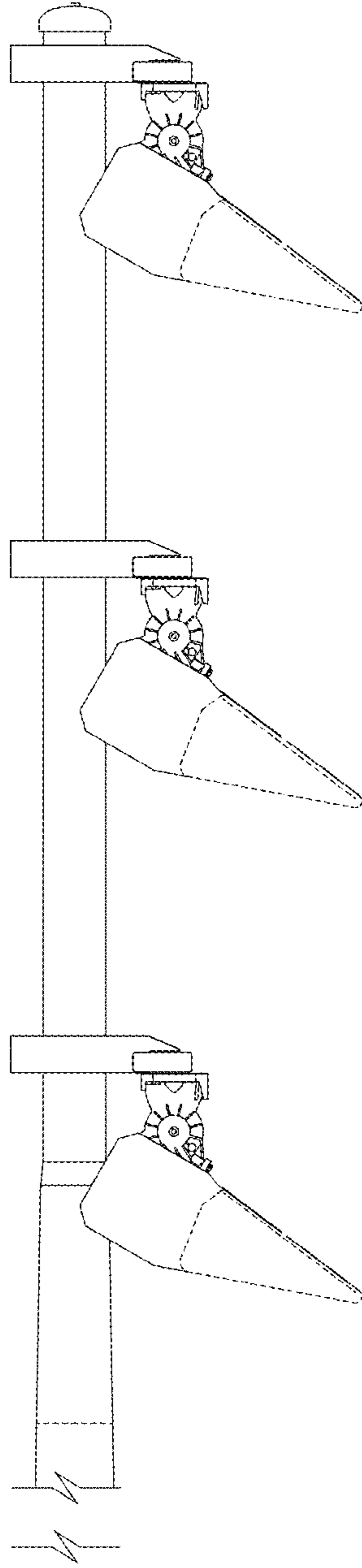


Fig 37

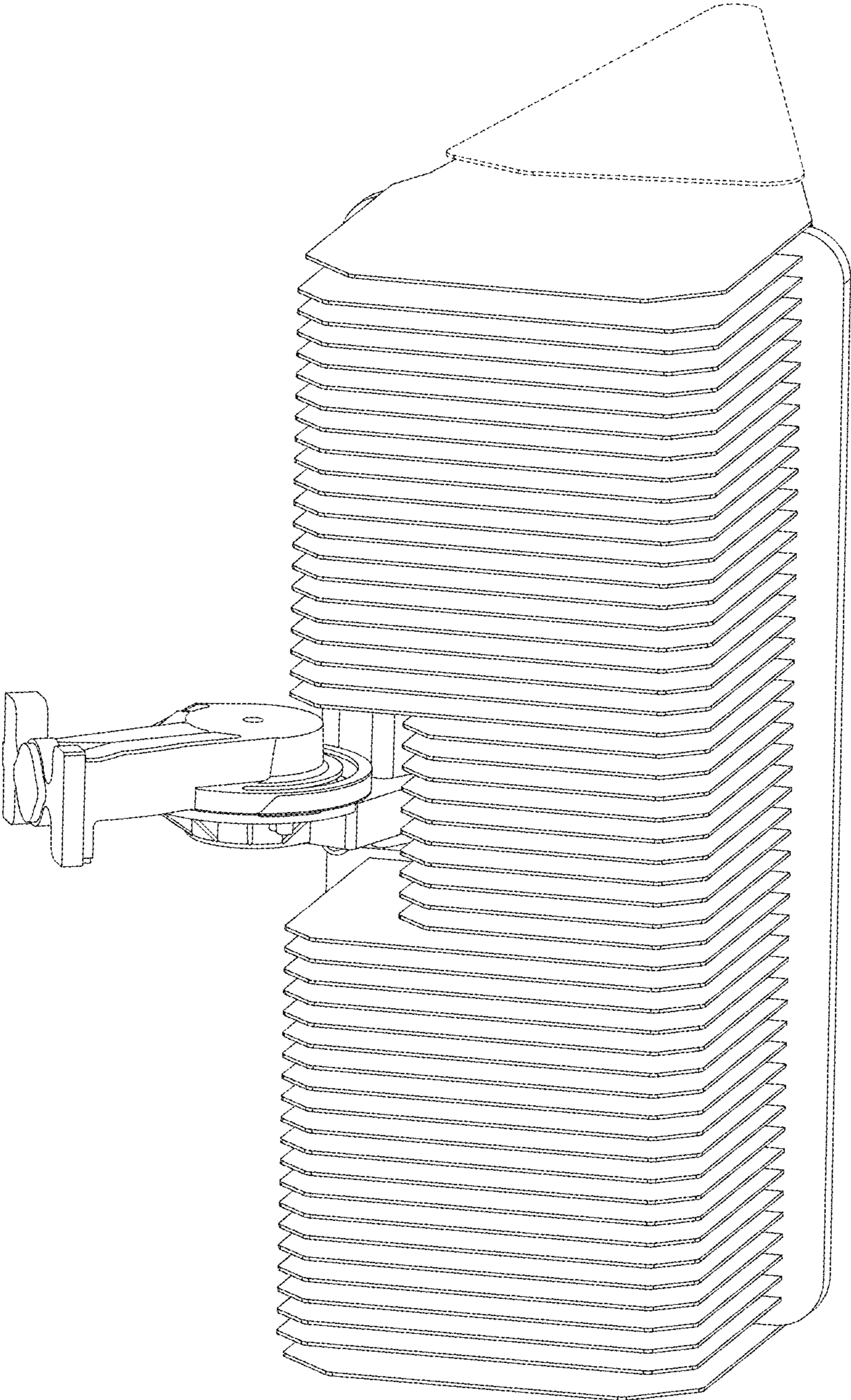


Fig 38

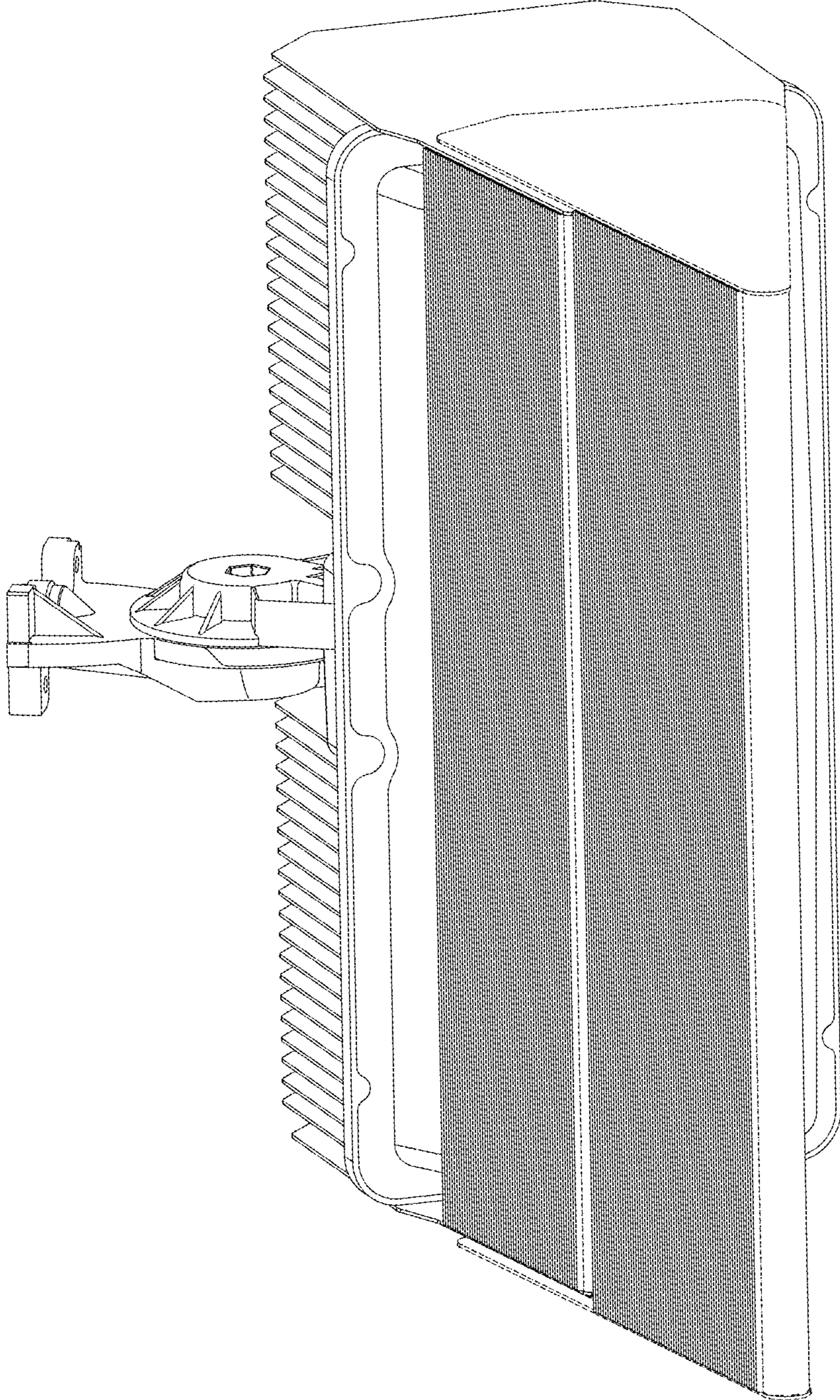


Fig 39