



US00D833661S

(12) **United States Design Patent** (10) **Patent No.:** **US D833,661 S**
Ma (45) **Date of Patent:** **** Nov. 13, 2018**

(54) **HANDHELD FLASHLIGHT**
(71) Applicant: **Energizer Brands, LLC**, St. Louis, MO (US)
(72) Inventor: **Lai King Ma**, Hong Kong (CN)
(73) Assignee: **Energizer Brands, LLC**, St. Louis, MO (US)
(**) Term: **15 Years**

D564,113 S *	3/2008	Yuen	D26/42
D605,795 S *	12/2009	Baker	D26/44
D620,161 S *	7/2010	Kang	D26/45
D681,858 S *	5/2013	Sharrah	D26/45
D687,582 S *	8/2013	Kawase	D26/44
D691,310 S *	10/2013	Zhou	D26/37
D712,080 S *	8/2014	Trude	D26/37
D713,077 S *	9/2014	Hao	D26/37
D740,986 S *	10/2015	Hine	D26/46
D757,971 S *	5/2016	Kovacik	D26/37
D767,184 S *	9/2016	Fitch	D26/44
D767,187 S *	9/2016	Hine	D26/49

* cited by examiner

(21) Appl. No.: **29/573,265**
(22) Filed: **Aug. 4, 2016**
(51) **LOC (11) Cl.** **26-02**
(52) **U.S. Cl.**
USPC **D26/45**
(58) **Field of Classification Search**
USPC D26/37-51
CPC F21L 2003/00; F21L 4/00; F21L 4/005;
F21L 4/02; F21L 4/025; F21L 4/027;
F21L 4/04; F21L 4/08; F21L 2005/00;
F21L 7/00; F21L 11/00; F21L 13/00;
F21L 13/04; F21L 13/08; F21L 14/02;
F21L 17/00; F21L 19/00
See application file for complete search history.

Primary Examiner — Eric L Goodman
Assistant Examiner — Carissa C Fitts
(74) *Attorney, Agent, or Firm* — Alston & Bird LLP

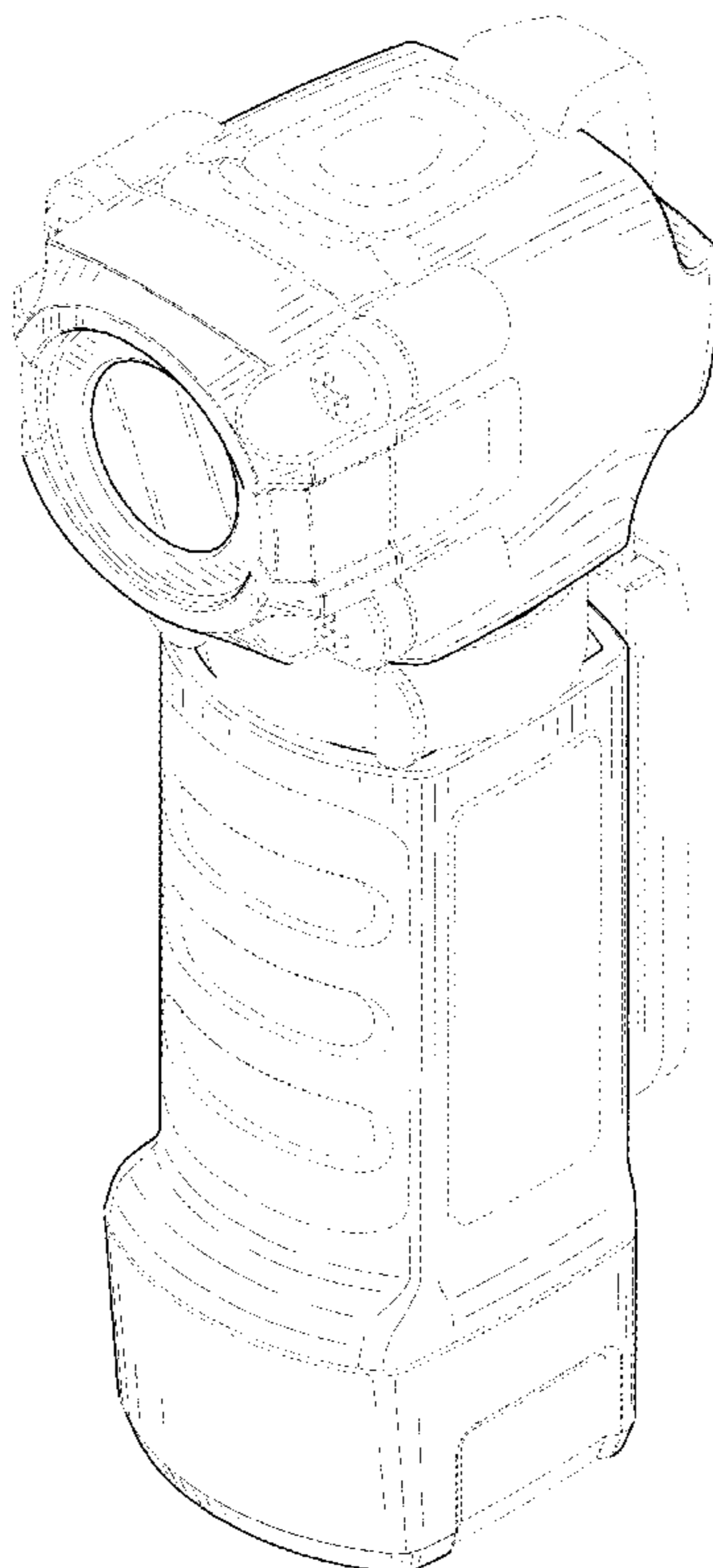
(57) **CLAIM**
The ornamental design for a handheld flashlight, as shown and described.

(56) **References Cited**
U.S. PATENT DOCUMENTS
D420,156 S * 2/2000 Poon D26/38
D536,464 S 2/2007 Kingston et al.

DESCRIPTION

FIG. 1 is a front perspective view of the design;
FIG. 2 is a rear perspective view of the design;
FIG. 3 is a side view of the design;
FIG. 4 is a front view of the design;
FIG. 5 is a rear view of the design;
FIG. 6 is a top side view of the design; and,
FIG. 7 is a bottom view of the design.
Any broken line(s) shown are for illustrative purposes only and form no part of the claimed design.

1 Claim, 5 Drawing Sheets



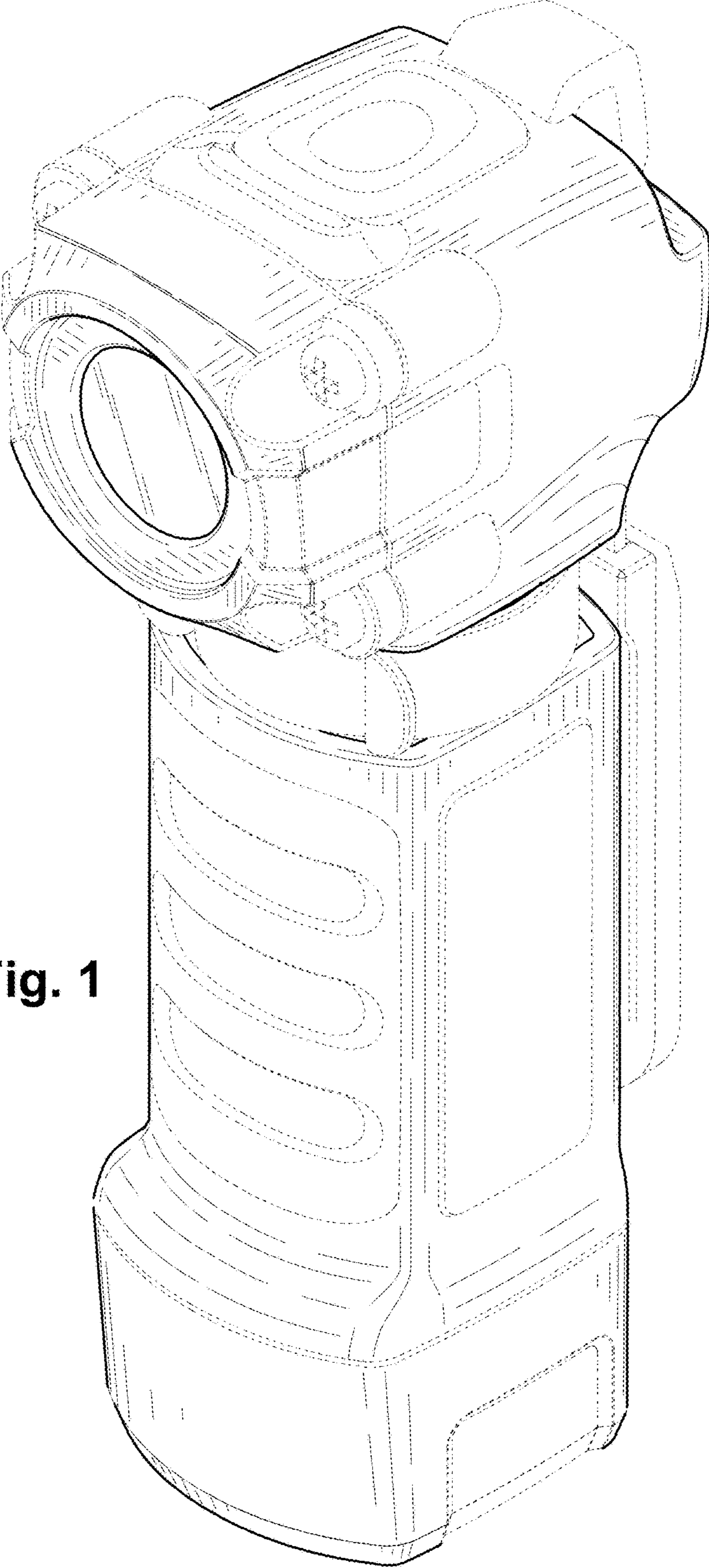


Fig. 1

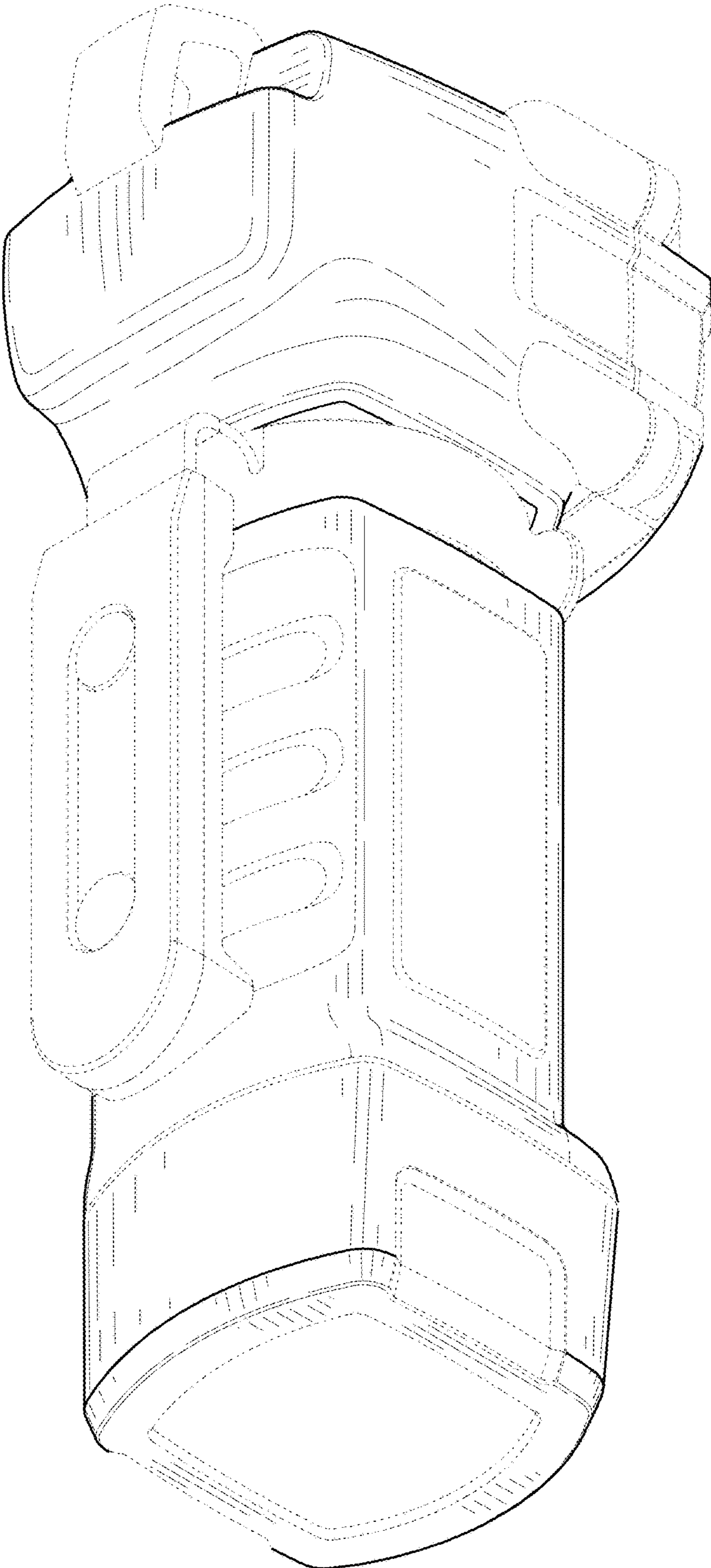


Fig. 2

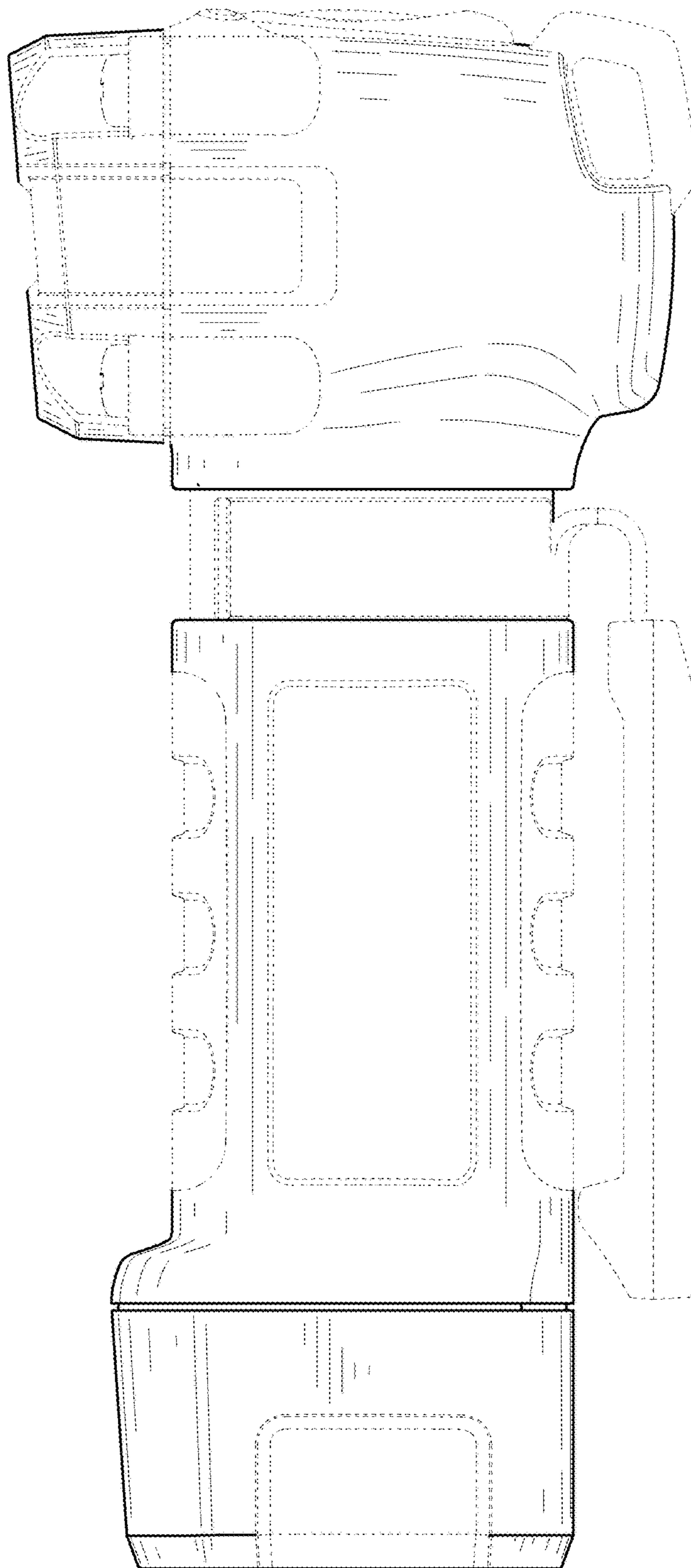


Fig. 3

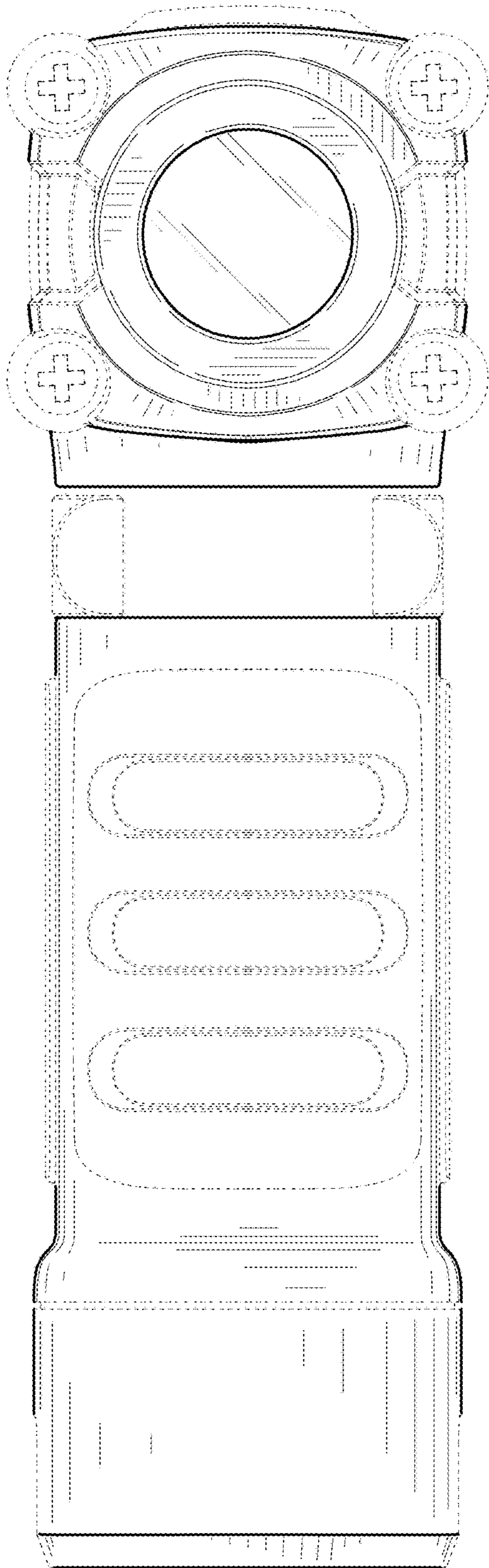


Fig. 4

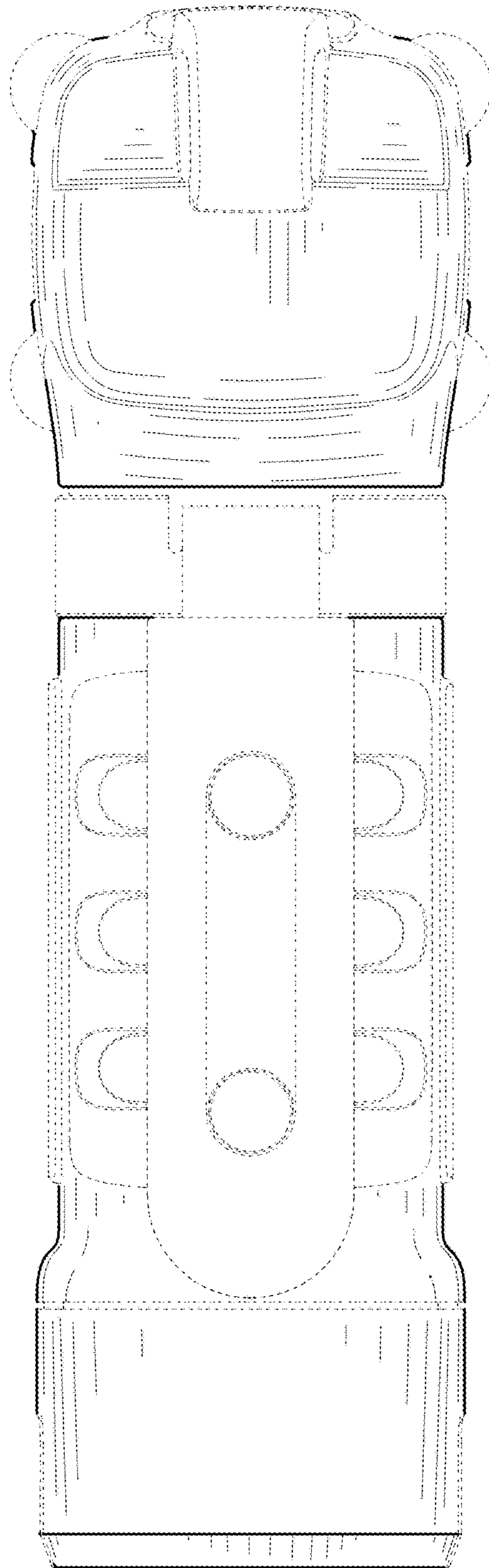


Fig. 5

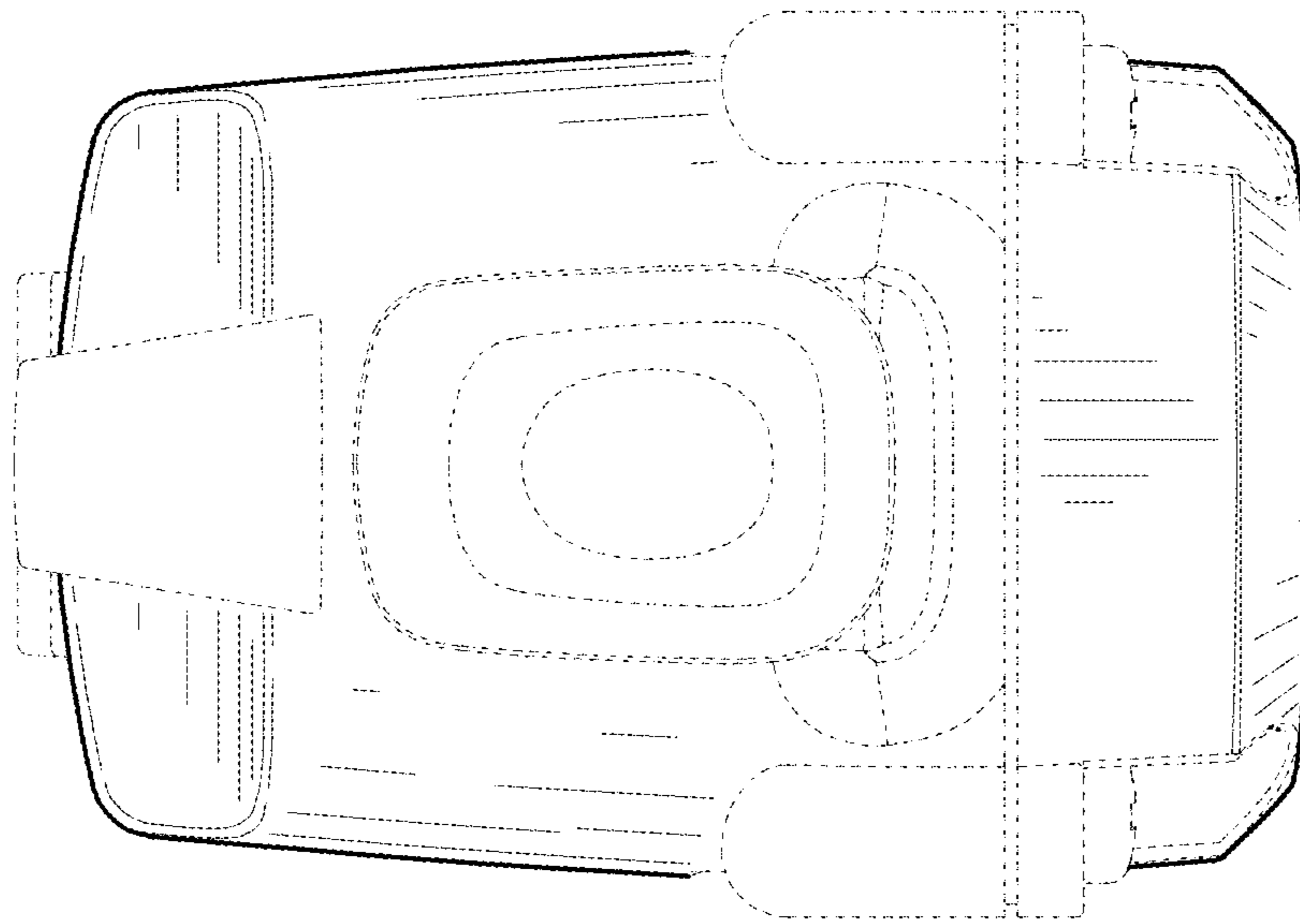


Fig. 6

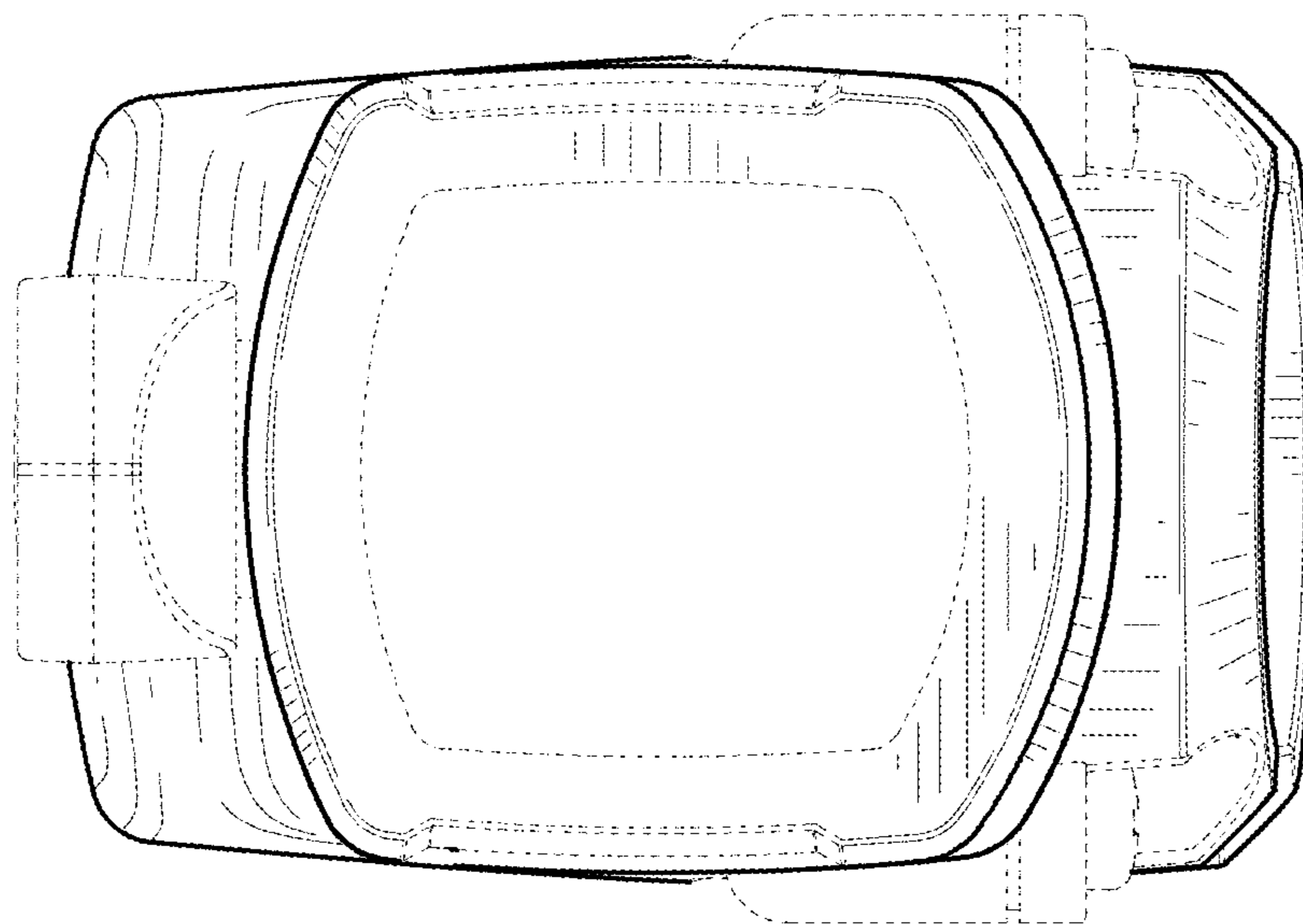


Fig. 7