



US00D833660S

(12) **United States Design Patent** (10) **Patent No.:** **US D833,660 S**
Krantz et al. (45) **Date of Patent:** **** Nov. 13, 2018**

- (54) **LANTERN DEVICE**
- (71) Applicant: **Goal Zero LLC**, Bluffdale, UT (US)
- (72) Inventors: **Norman L. Krantz**, Draper, UT (US);
Henry J. Howell, Herriman, UT (US);
Fred Lillywhite, Cottonwood Heights,
UT (US); **Keyvan Vasefi**, Payson, UT
(US)
- (73) Assignee: **GOAL ZERO LLC**, Bluffdale, UT
(US)
- (**) Term: **15 Years**
- (21) Appl. No.: **29/535,213**
- (22) Filed: **Aug. 4, 2015**
- (51) **LOC (11) Cl.** **26-02**
- (52) **U.S. Cl.**
USPC **D26/41; D26/38**
- (58) **Field of Classification Search**
USPC D26/37-51
CPC F21L 2003/00; F21L 4/00; F21L 4/005;
F21L 4/02; F21L 4/025; F21L 4/027;
F21L 4/04; F21L 4/08; F21L 2005/00;
F21L 7/00; F21L 11/00; F21L 13/00;
F21L 13/04; F21L 13/08; F21L 14/02;
F21L 17/00; F21L 19/00
See application file for complete search history.

D711,572 S *	8/2014	Kwon	D26/37
D718,480 S *	11/2014	Lee	D26/41
D726,357 S *	4/2015	Walczak	D26/40
9,182,088 B2	11/2015	Workman et al.	
D744,680 S *	12/2015	Ma	D26/41
D773,703 S *	12/2016	Krantz	D26/40
D773,704 S *	12/2016	Pardo	D26/41
D783,872 S *	4/2017	Aksnes	D26/41
D787,104 S *	5/2017	Wu	D26/41
D791,992 S *	7/2017	Hsu	D26/41

OTHER PUBLICATIONS

U.S. Appl. No. 29/458,766, filed Jun. 21, 2013, Goal Zero LLC.
U.S. Appl. No. 29/513,752, filed Jan. 5, 2015, Goal Zero LLC.
U.S. Appl. No. 29/535,212, filed Aug. 4, 2015, Goal Zero LLC.
U.S. Appl. No. 62/099,905, filed Jan. 5, 2015, Goal Zero LLC.

* cited by examiner

Primary Examiner — Karen E Kearney
Assistant Examiner — Carissa C Fitts
(74) *Attorney, Agent, or Firm* — Foley & Lardner LLP

(57) **CLAIM**

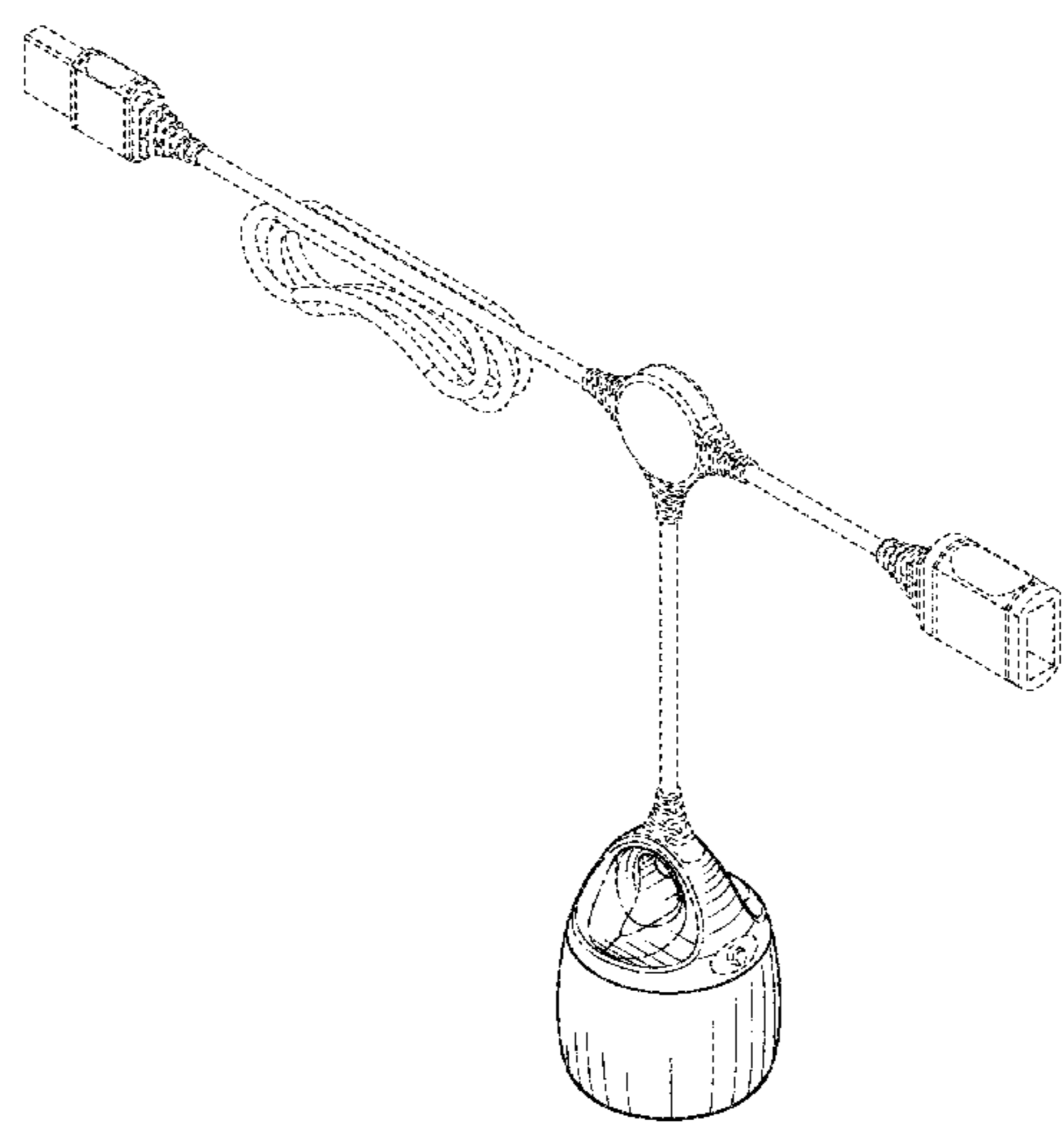
We claim the ornamental design for a lantern device, as shown and described.

DESCRIPTION

FIG. 1 is a front perspective view of the claimed design;
FIG. 2 is a front view of the claimed design;
FIG. 3 is a rear view of the claimed design;
FIG. 4 is a left side view of the claimed design;
FIG. 5 is a right side view of the claimed design;
FIG. 6 is a top view of the claimed design; and,
FIG. 7 is a bottom view of the claimed design.
The ornamental design which is claimed is shown in solid lines in the figures. The broken line showing of the lantern device is for illustrative purposes only and forms no part of the claimed design. Broken lines formed by equal length dashes show unclaimed portion of the design.

1 Claim, 5 Drawing Sheets

- (56) **References Cited**
U.S. PATENT DOCUMENTS
- | | | | |
|--------------|---------|-----------------|--------|
| D464,454 S * | 10/2002 | Suzuki | D26/40 |
| D569,536 S * | 5/2008 | Henderson | D26/37 |
| D576,756 S * | 9/2008 | DeBrunner | D26/40 |
| D605,321 S * | 12/2009 | Schupp | D26/40 |
| D608,036 S * | 1/2010 | Lee | D26/40 |
| D649,271 S * | 11/2011 | Crawford | D26/37 |
| D667,577 S * | 9/2012 | Wu | D26/49 |
| D673,316 S * | 12/2012 | Oshima | D26/50 |
| 8,434,894 B2 | 5/2013 | Workman et al. | |



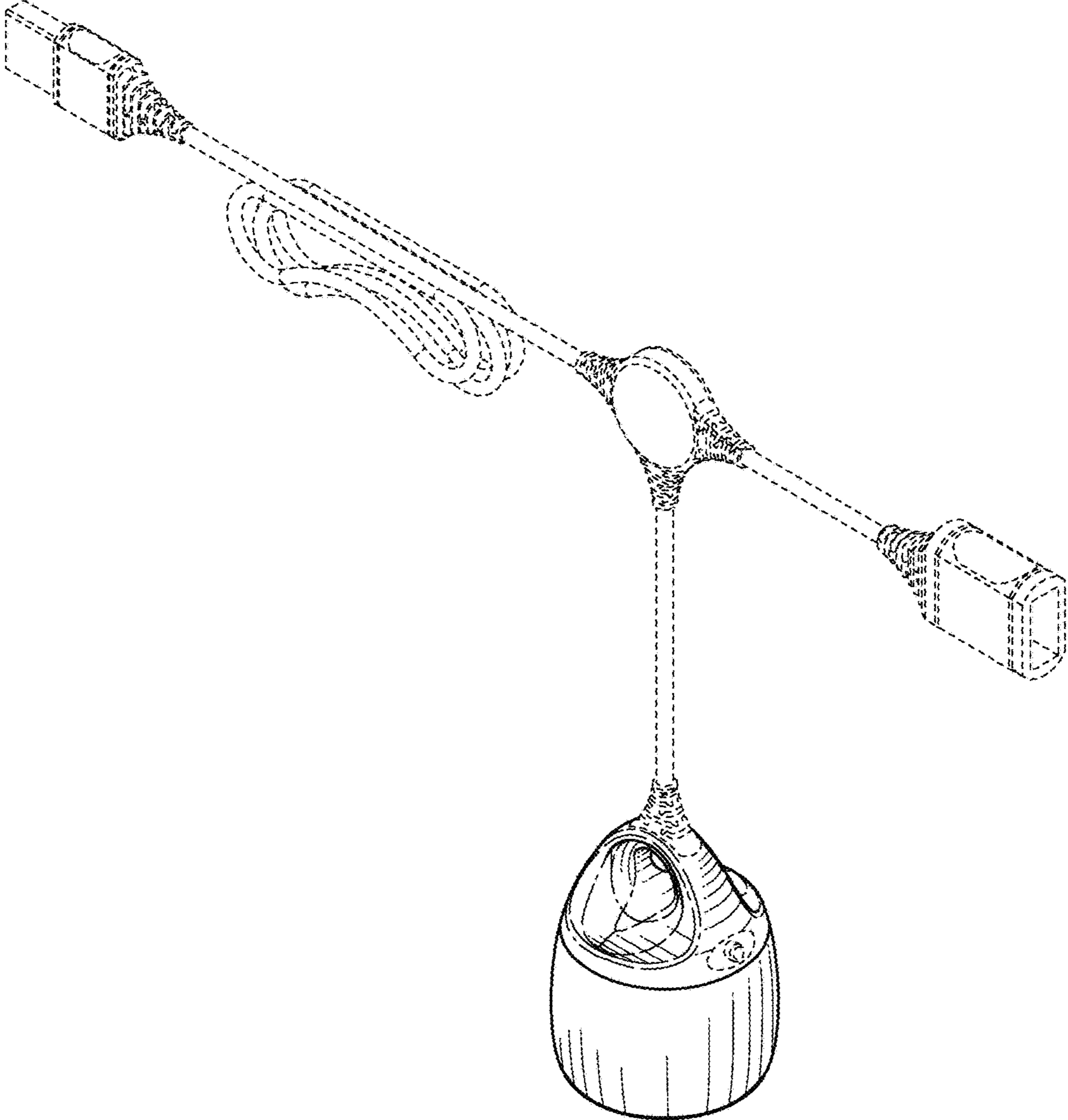


FIG. 1

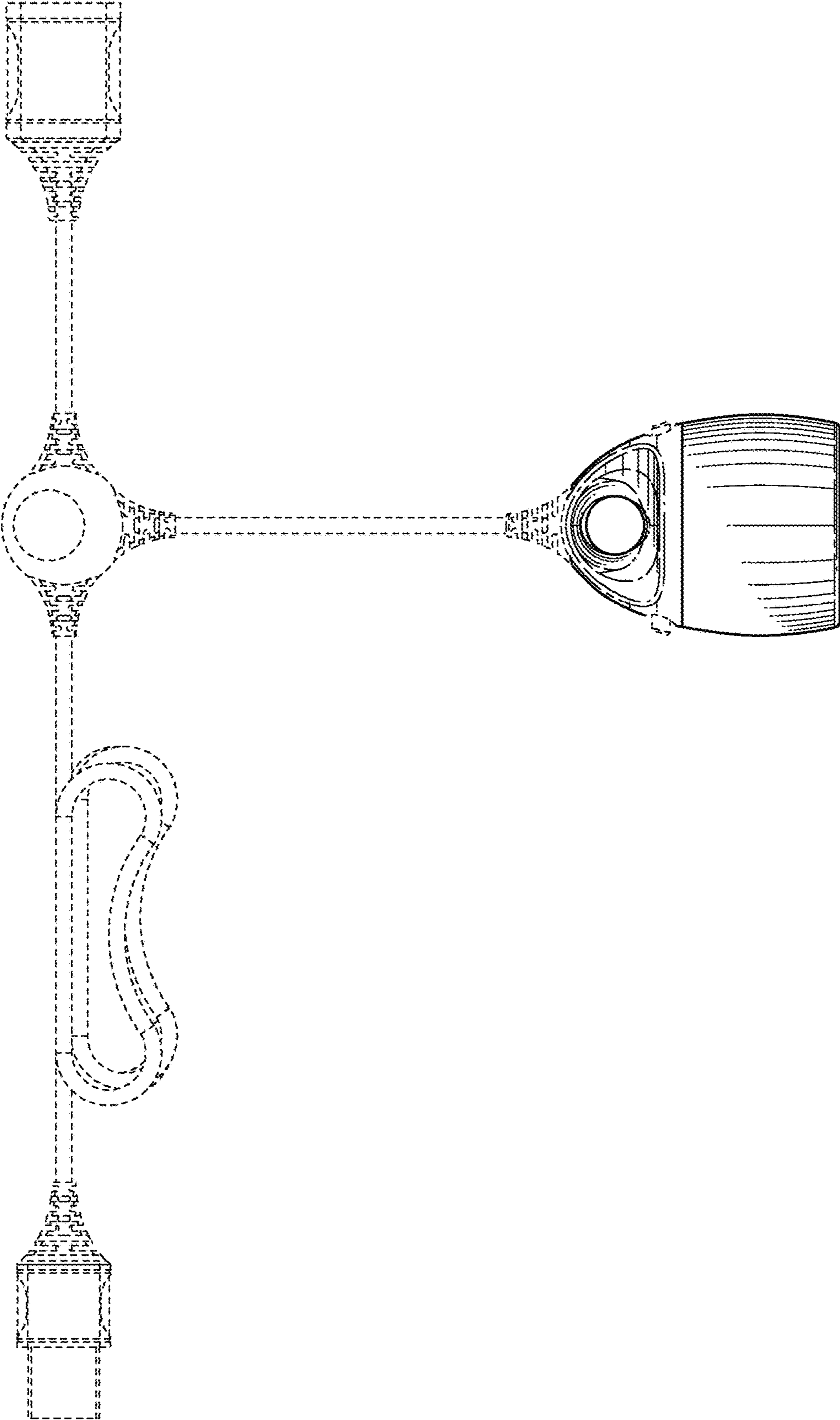


FIG. 2

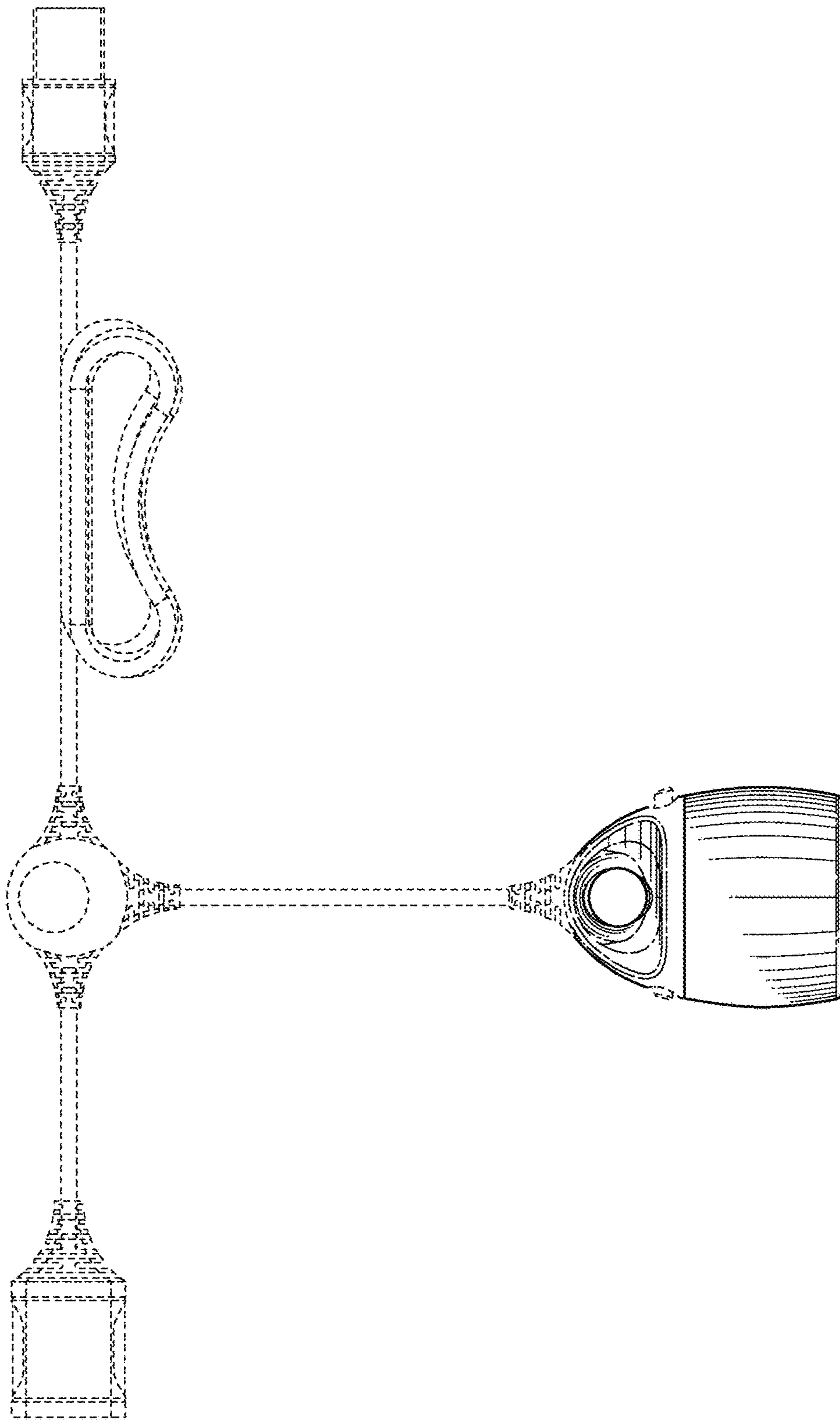


FIG. 3

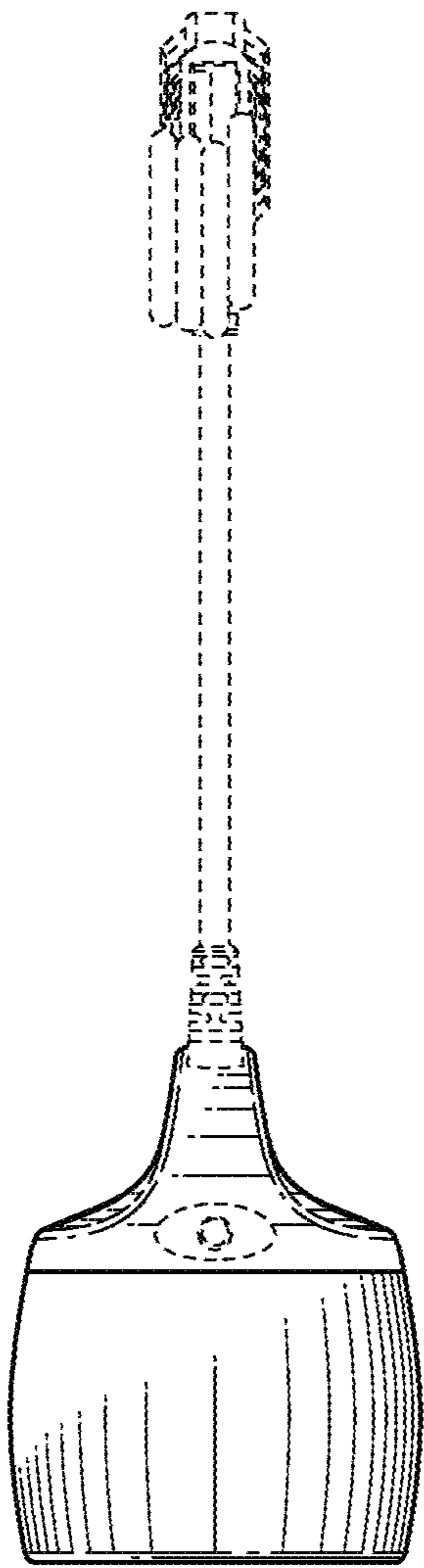


FIG. 4

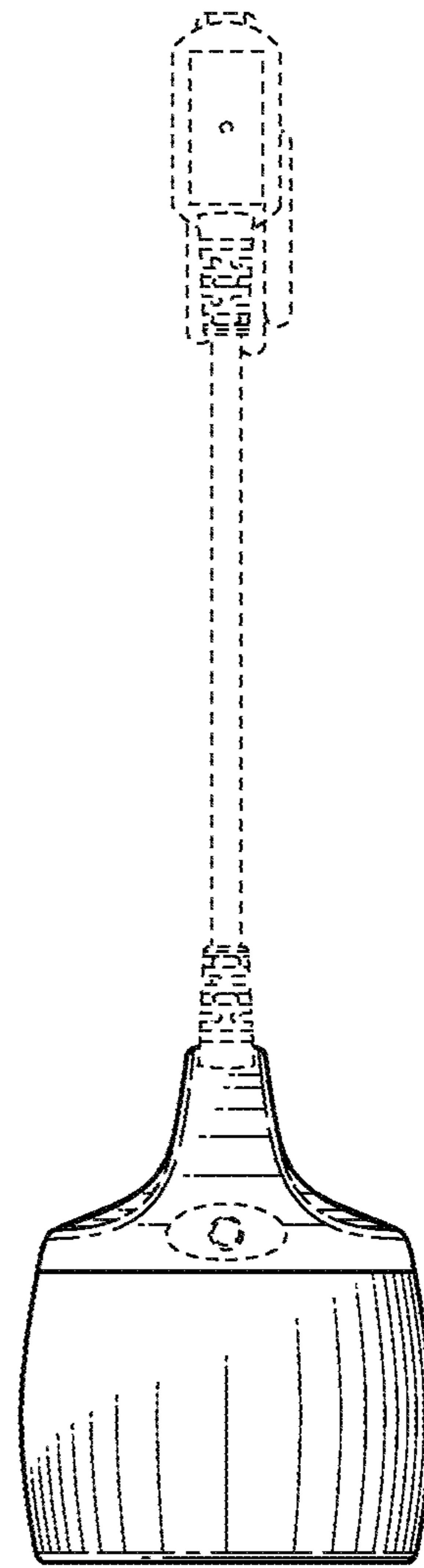


FIG. 5

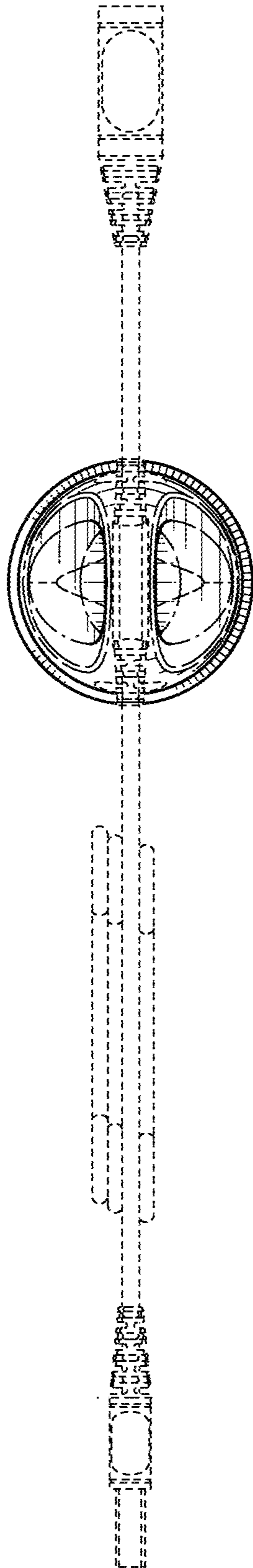


FIG. 6

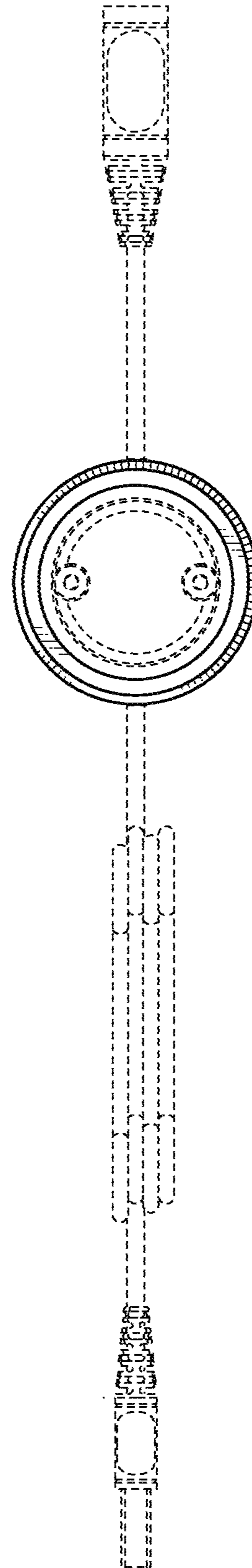


FIG. 7