



US00D833658S

(12) **United States Design Patent** (10) **Patent No.:** **US D833,658 S**  
**Lee et al.** (45) **Date of Patent:** **\*\* Nov. 13, 2018**

(54) **HEAD LAMP FOR AN AUTOMOBILE**

8/033; F21S 8/035-8/037; F21S 8/04;  
F21S 8/043; F21S 8/063

(71) Applicants: **HYUNDAI MOTOR COMPANY**,  
Seoul (KR); **KIA MOTORS**  
**CORPORATION**, Seoul (KR)

See application file for complete search history.

(72) Inventors: **Sang Min Lee**, Seoul (KR); **Seung Bo**  
**Hong**, Seongnam-si (KR); **Sang Hun**  
**Ahn**, Ansan-si (KR)

(56) **References Cited**

U.S. PATENT DOCUMENTS

(73) Assignees: **Kia Motors Corporation**, Seoul (KR);  
**Hyundai Motor Company**, Seoul (KR)

D593,233	S	*	5/2009	Bai	.....	D26/28
D728,135	S	*	4/2015	Ha	.....	D26/28
D783,867	S	*	4/2017	Munakata	.....	D26/28
D785,829	S	*	5/2017	Park	.....	D26/28
D785,830	S	*	5/2017	Park	.....	D26/28
D787,726	S	*	5/2017	Hong	.....	D26/28
D814,080	S	*	3/2018	Ha	.....	D26/28
D815,768	S	*	4/2018	Park	.....	D26/28
D818,164	S	*	5/2018	Ha	.....	D26/28
D822,241	S	*	7/2018	Lee	.....	D26/28
D822,242	S	*	7/2018	Lee	.....	D26/28
D824,058	S	*	7/2018	Hong	.....	D26/28

(\*\*) Term: **15 Years**

\* cited by examiner

(21) Appl. No.: **35/504,003**

*Primary Examiner* — George D. Kirschbaum  
*Assistant Examiner* — Natasha Vujcic  
(74) *Attorney, Agent, or Firm* — Mintz Levin Cohn Ferris  
Glovsky and Popeo, P.C.; Kongsik Kim

(22) Filed: **May 23, 2017**

(80) **Hague Agreement Data**

Int. Filing Date: **May 23, 2017**  
Int. Reg. No.: **DM/096265**  
Int. Reg. Date: **May 23, 2017**  
Int. Reg. Pub. Date: **Nov. 24, 2017**

(30) **Foreign Application Priority Data**

Dec. 2, 2016 (KR) ..... 30-2016-0058361

(51) **LOC (11) Cl.** ..... **26-06**

(52) **U.S. Cl.**

USPC ..... **D26/28**

(58) **Field of Classification Search**

USPC ... D26/3, 28, 76, 78, 79, 80, 81, 82, 83, 85,  
D26/86, 88, 90, 93, 111, 113, 118, 119,  
D26/120, 121, 122, 138, 139, 140, 141,  
D26/142, 152

CPC ..... F21S 2/00; F21S 4/00; F21S 4/003; F21S  
4/005; F21S 4/006; F21S 4/007; F21S  
4/008; F21S 6/00; F21S 8/00; F21S  
8/024; F21S 8/026; F21S 8/031; F21S

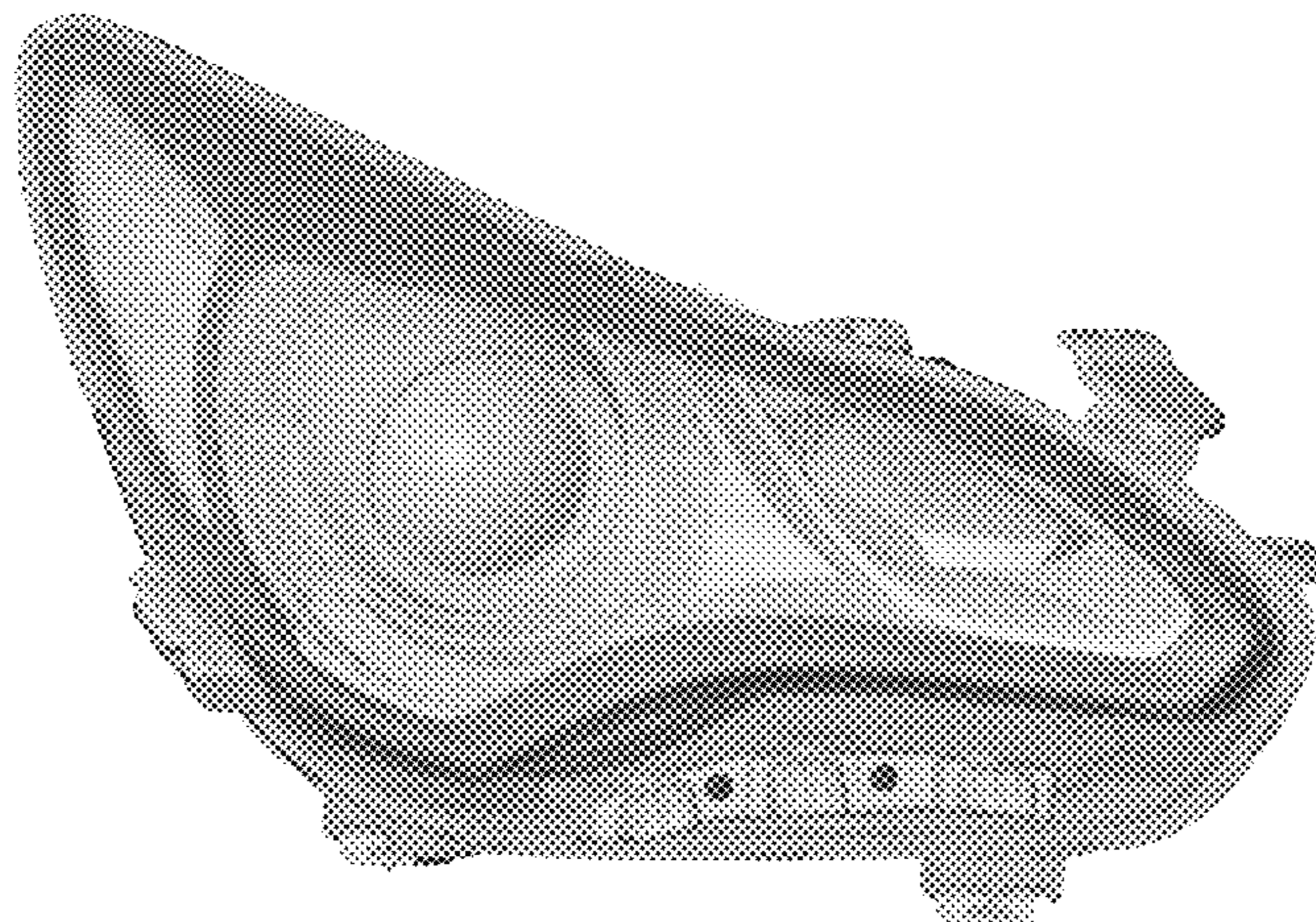
(57) **CLAIM**

The ornamental design for a head lamp for an automobile,  
as shown and described.

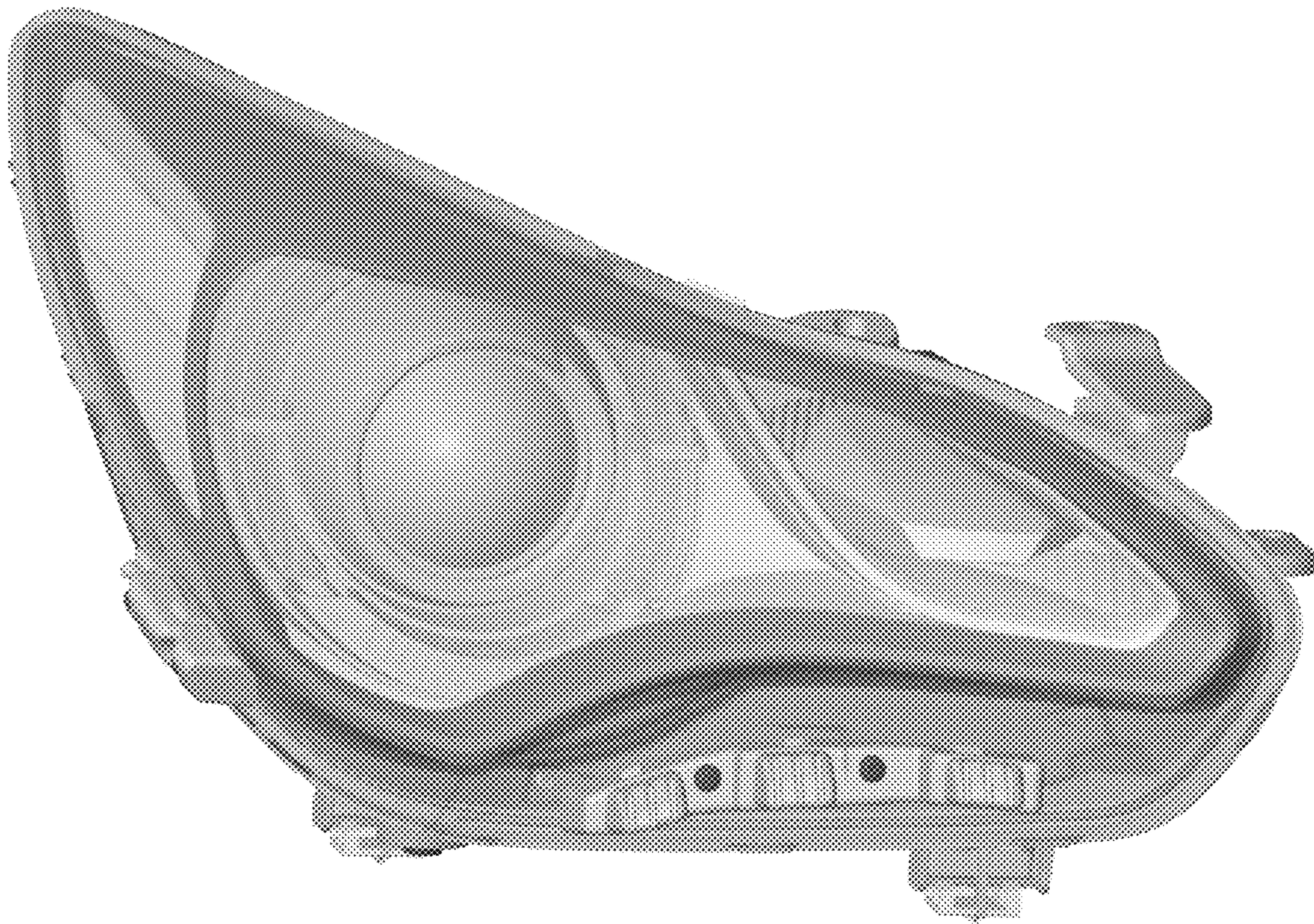
**DESCRIPTION**

- 1. Head lamp for an automobile
- 1.1 : Perspective
- 1.2 : Front
- 1.3 : Back
- 1.4 : Left
- 1.5 : Right
- 1.6 : Top
- 1.7 : Bottom

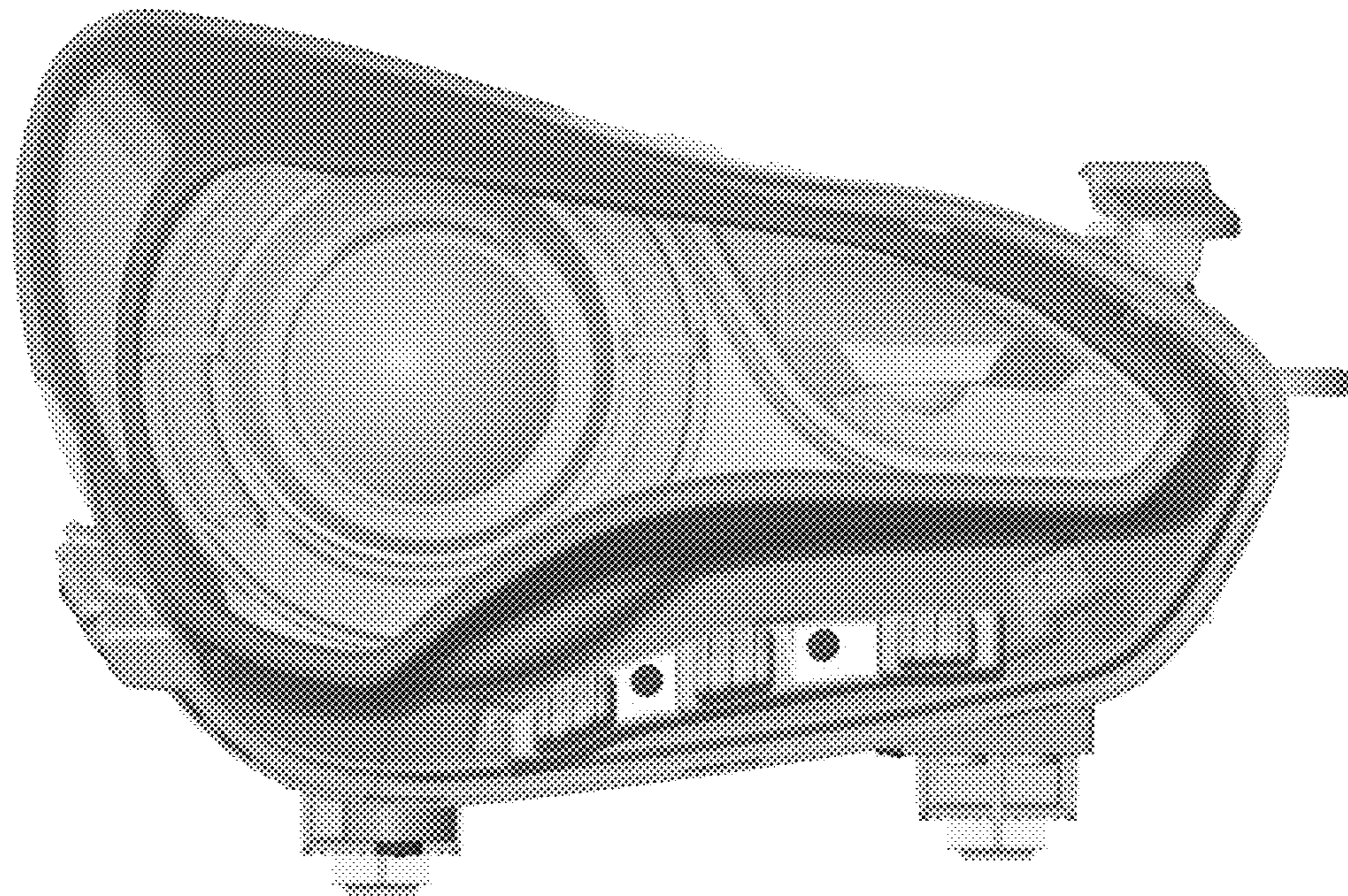
**1 Claim, 7 Drawing Sheets**



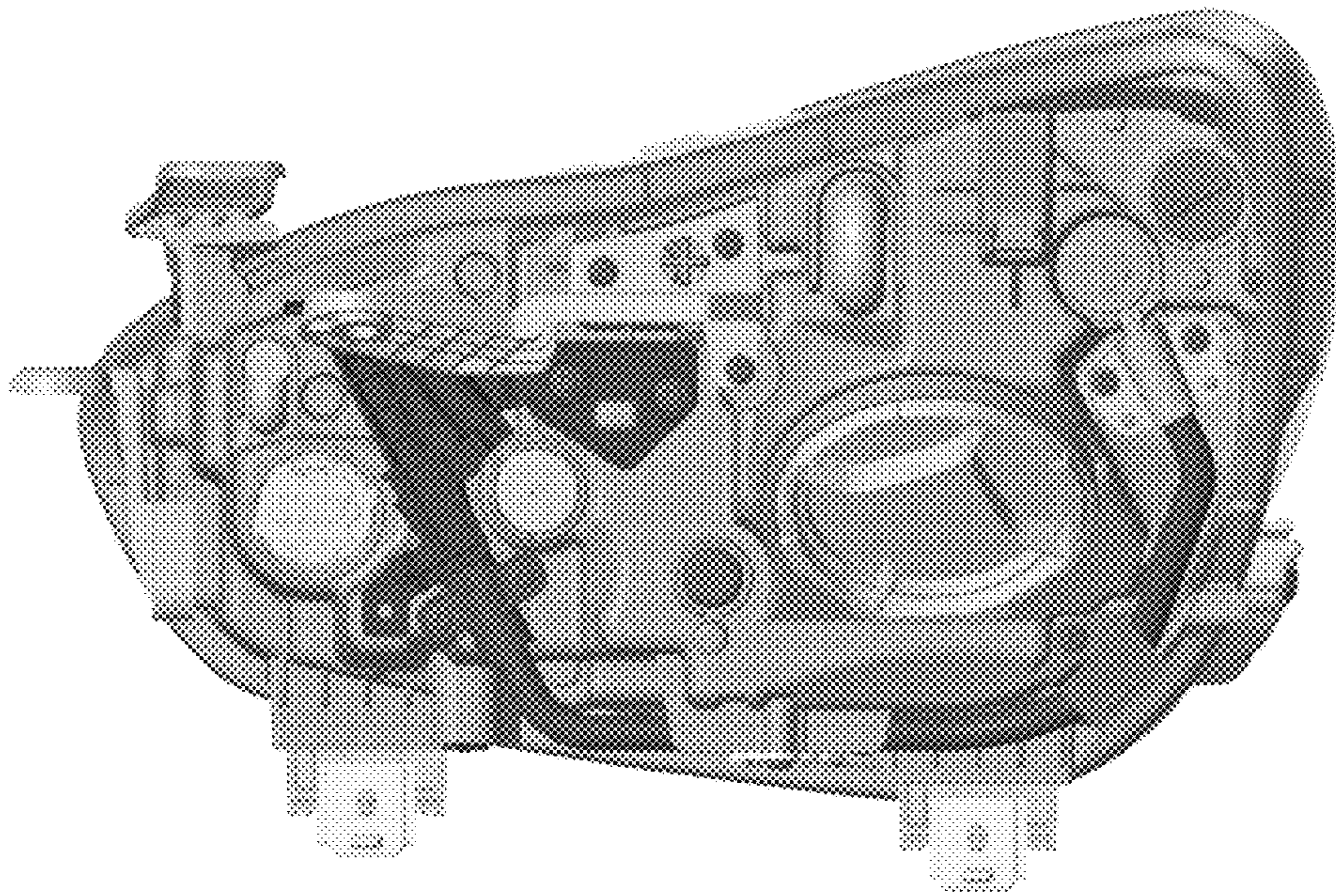
1.1



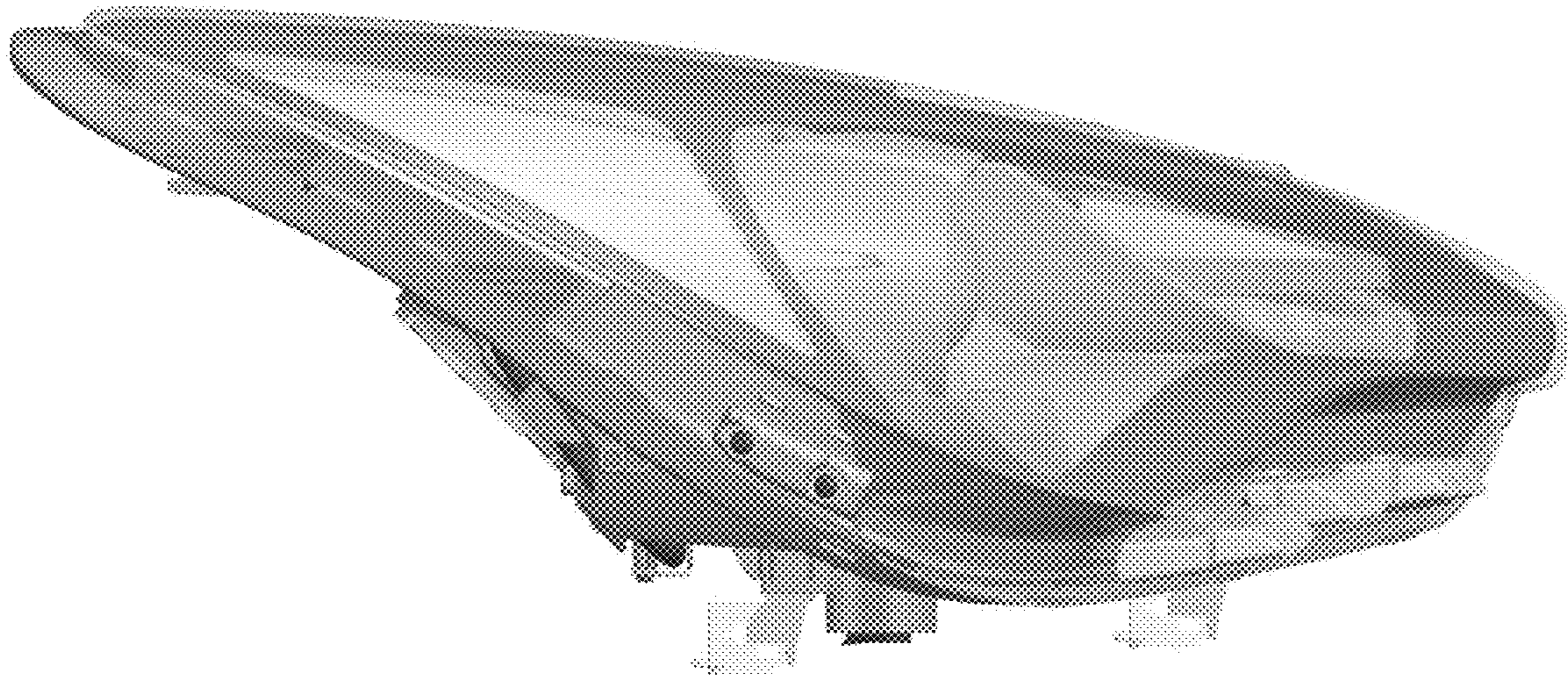
1.2



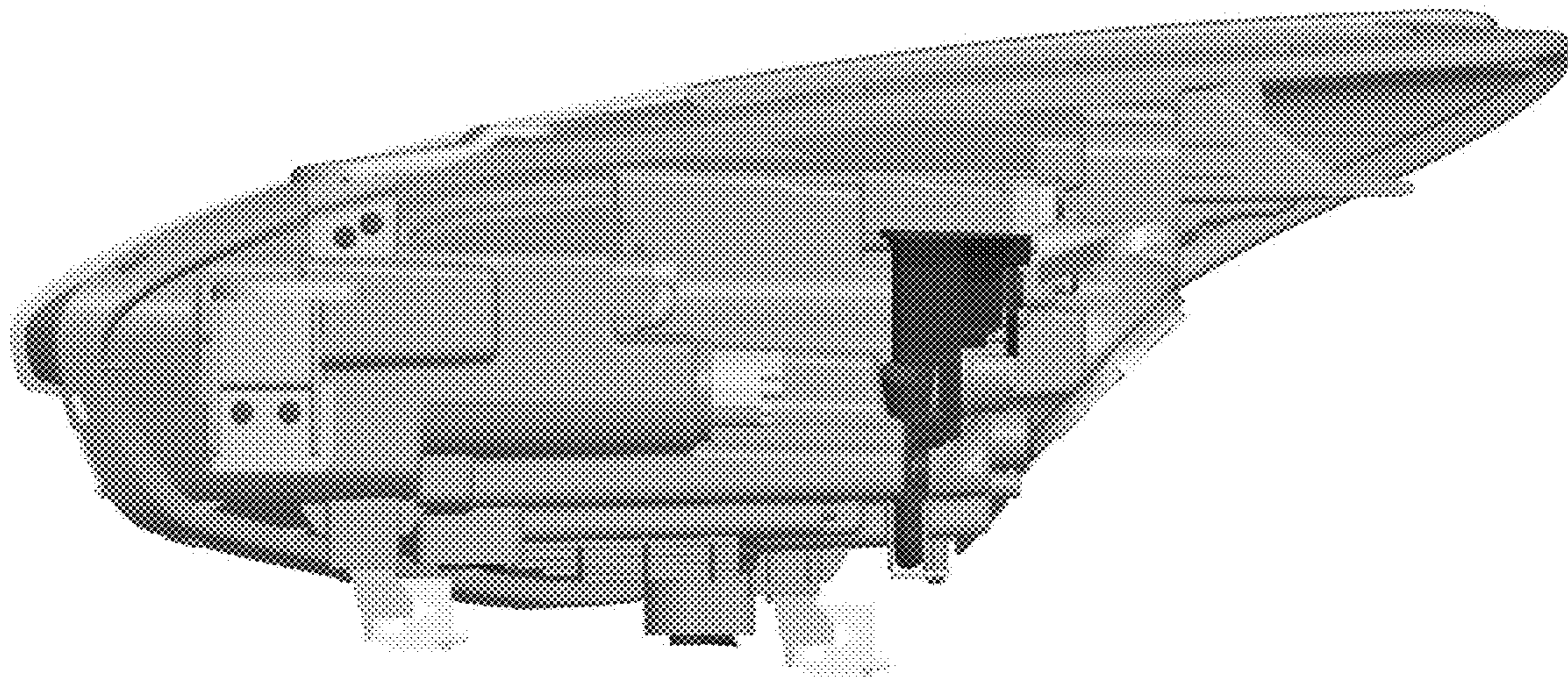
1.3



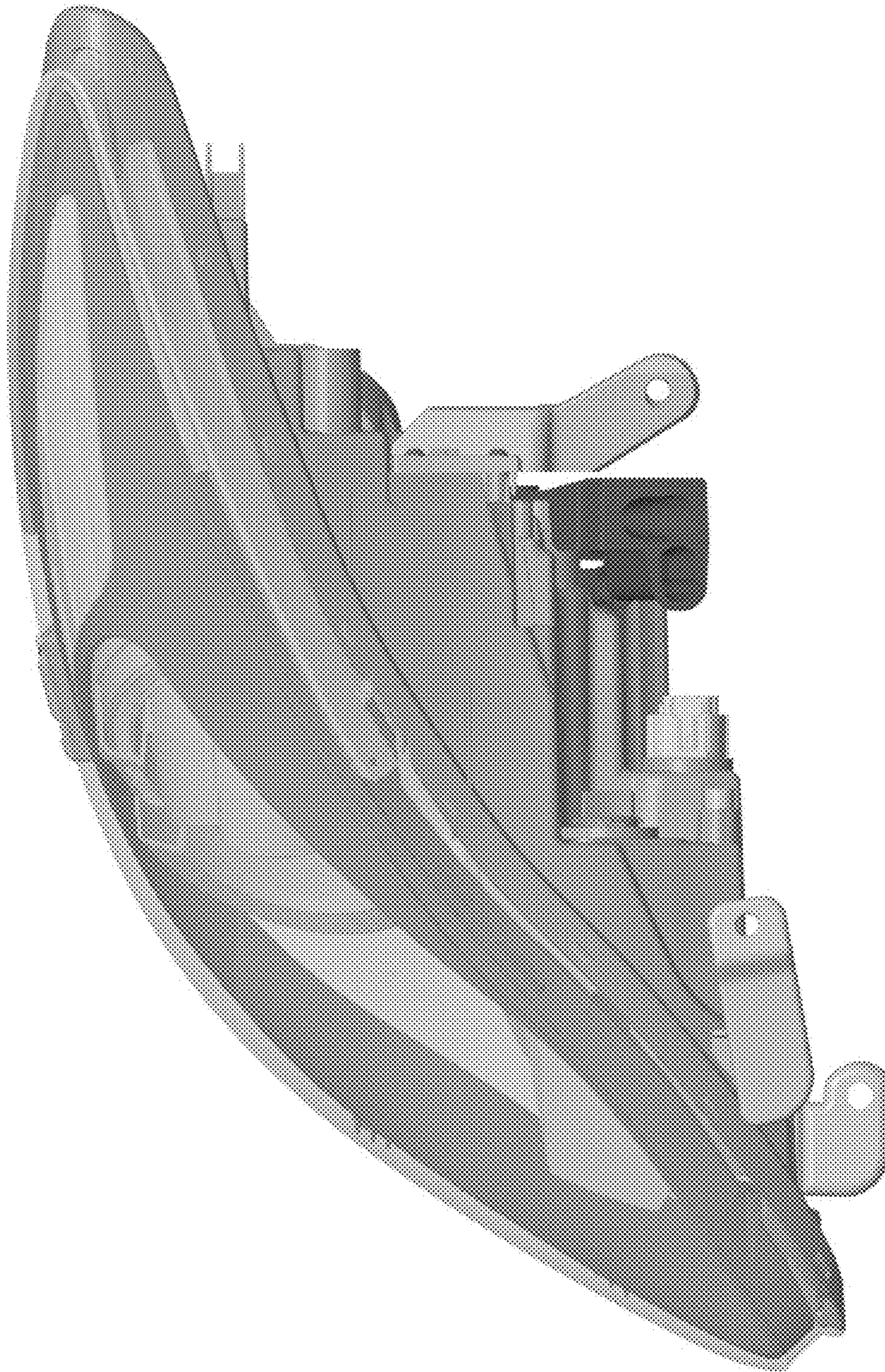
1.4



1.5



1.6



1.7

