



US00D833657S

(12) **United States Design Patent** (10) **Patent No.:** **US D833,657 S**
Kwon et al. (45) **Date of Patent:** **** Nov. 13, 2018**

(54) **HEADLIGHT FOR CARS**

(56) **References Cited**

(71) Applicant: **HYUNDAI MOTOR COMPANY**,
Seoul (KR)
(72) Inventors: **Oh-Young Kwon**, Hwaseong-si (KR);
Yu-Ra Cha, Seoul (KR); **Jin-Sil Lee**,
Suwon-si (KR); **Jin-Hyuk Bae**,
Dalseo-gu (KR); **Dae-Keun Ryu**, Seoul
(KR); **Sung-No Kim**, Ansan-si (KR)

U.S. PATENT DOCUMENTS

| | | | |
|--------------|---------|----------------|--------|
| D452,922 S * | 1/2002 | Kim | D26/28 |
| D593,233 S * | 5/2009 | Bai | D26/28 |
| D695,936 S * | 12/2013 | Ishizuka | D26/28 |
| D707,861 S * | 6/2014 | Lai | D26/28 |
| D715,981 S * | 10/2014 | Moon | D26/28 |
| D736,440 S * | 8/2015 | Sato | D26/28 |
| D740,463 S * | 10/2015 | Ko | D26/28 |
| D752,785 S * | 3/2016 | Horiuchi | D26/28 |
| D759,865 S * | 6/2016 | Shim | D26/28 |
| D761,466 S * | 7/2016 | Kwon | D26/28 |
| D785,829 S * | 5/2017 | Park | D26/28 |
| D785,830 S * | 5/2017 | Park | D26/28 |
| D788,956 S * | 6/2017 | Hong | D26/28 |
| D814,080 S * | 3/2018 | Ha | D26/28 |

(**) Term: **15 Years**

(21) Appl. No.: **35/503,784**

(22) Filed: **Aug. 10, 2017**

(80) **Hague Agreement Data**

Int. Filing Date: **Aug. 10, 2017**
Int. Reg. No.: **DM/097776**
Int. Reg. Date: **Aug. 10, 2017**
Int. Reg. Pub. Date: **Oct. 6, 2017**

* cited by examiner

Primary Examiner — George D. Kirschbaum
Assistant Examiner — Natasha Vujcic

(30) **Foreign Application Priority Data**

Feb. 17, 2017 (KR) 30-2017-0007448

(51) **LOC (11) Cl.** **26-06**

(52) **U.S. Cl.**
USPC **D26/28**

(58) **Field of Classification Search**
USPC ... D26/3, 28, 76, 78, 79, 80, 81, 82, 83, 85,
D26/86, 88, 90, 93, 111, 113, 118, 119,
D26/120, 121, 122, 138, 139, 140, 141,
D26/142, 152
CPC F21S 2/00; F21S 4/00; F21S 4/003; F21S
4/005; F21S 4/006; F21S 4/007; F21S
4/008; F21S 6/00; F21S 8/00; F21S
8/024; F21S 8/026; F21S 8/031; F21S
8/033; F21S 8/035-8/037; F21S 8/04;
F21S 8/043; F21S 8/063

See application file for complete search history.

(57) **CLAIM**

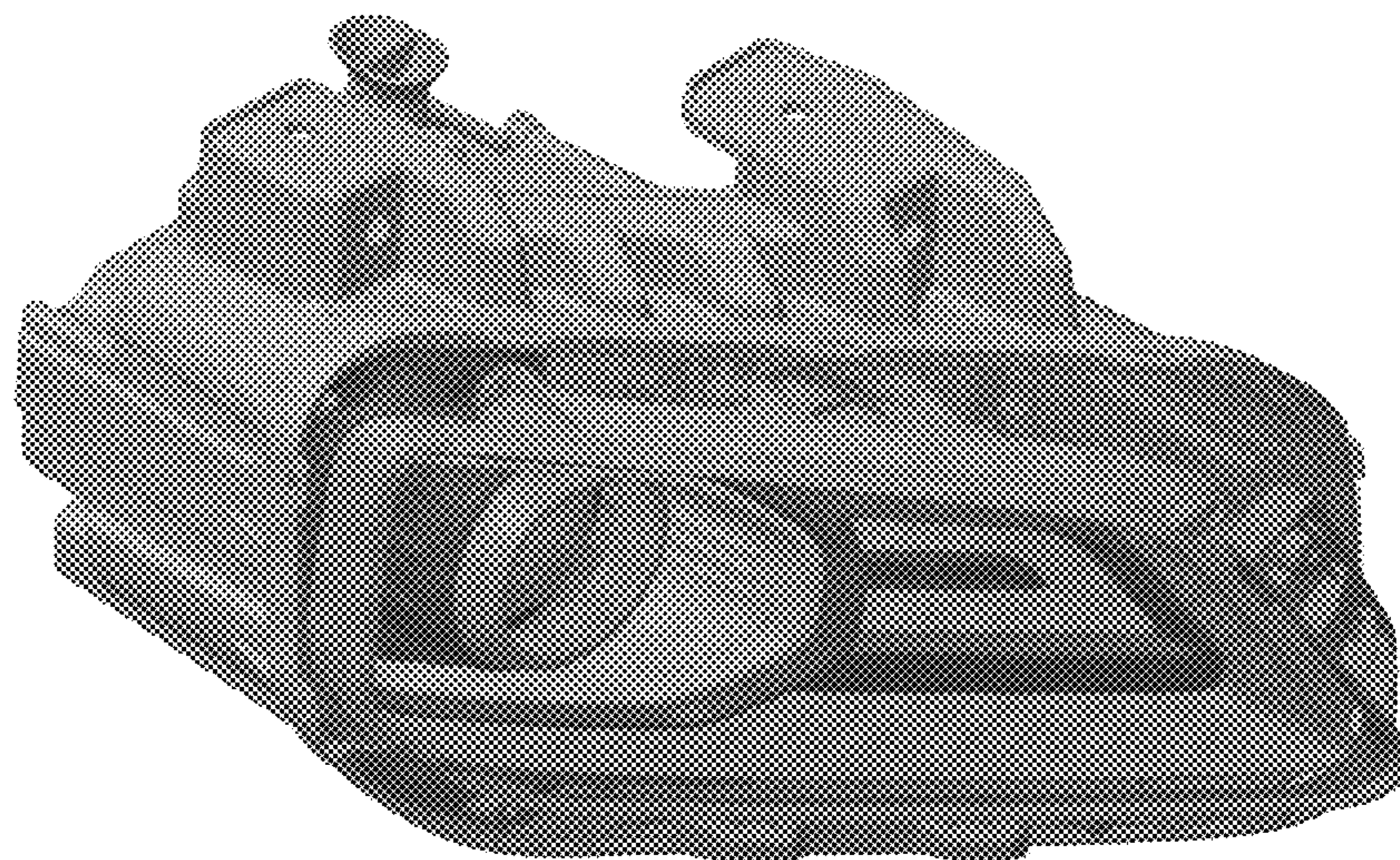
The ornamental design for a headlight for cars, as shown and described.

DESCRIPTION

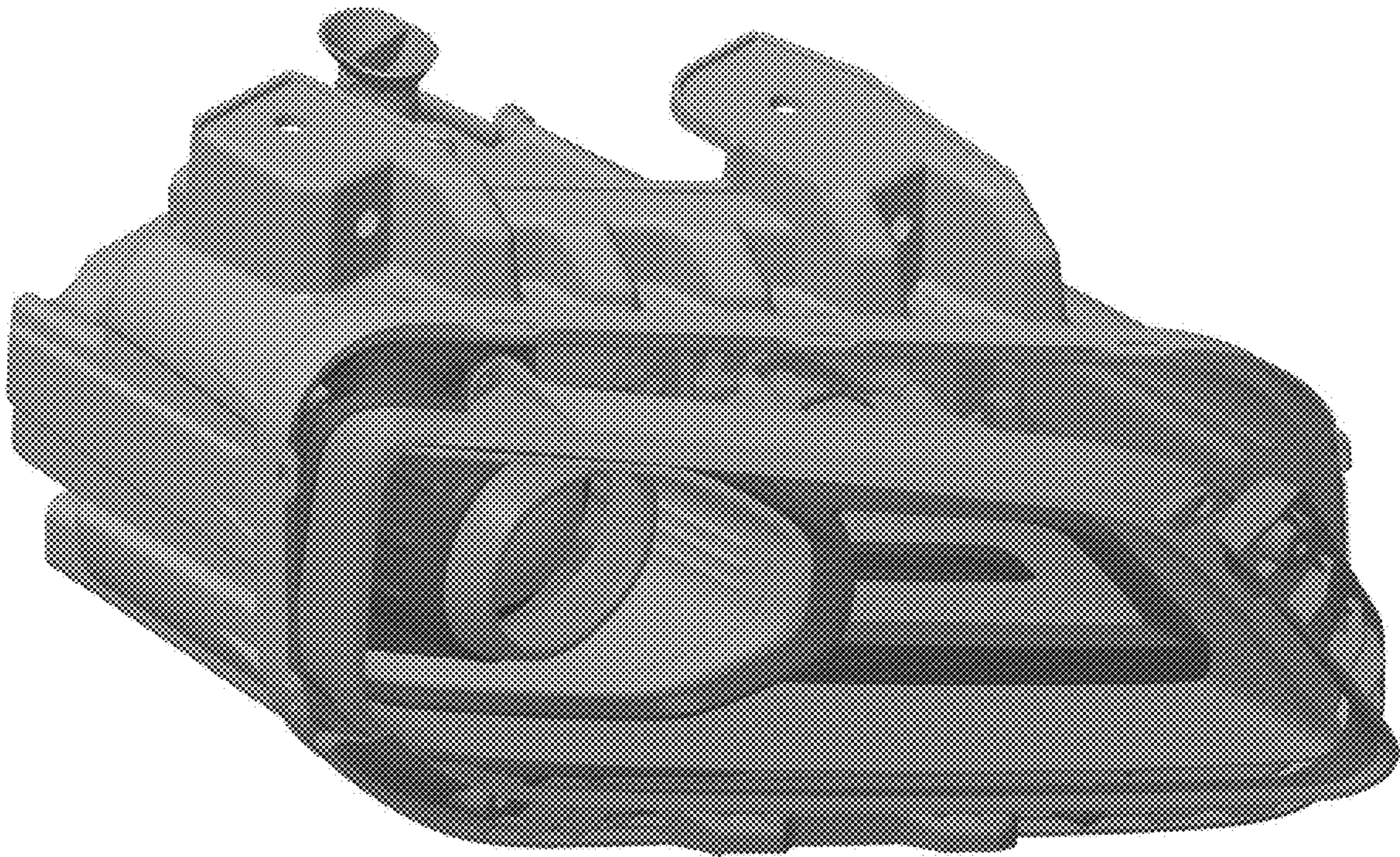
- 1. Headlight for cars
- 1.1 : Perspective
- 1.2 : Front
- 1.3 : Back
- 1.4 : Left
- 1.5 : Right
- 1.6 : Top
- 1.7 : Bottom

1.1 is a perspective view of a headlight for cars showing our new design; 1.2 is a front elevation view thereof; 1.3 is a back elevation view thereof; 1.4 is a left side elevation view thereof; 1.5 is a right side elevation view thereof; 1.6 is a top plan view thereof; and 1.7 is a bottom plan view thereof.

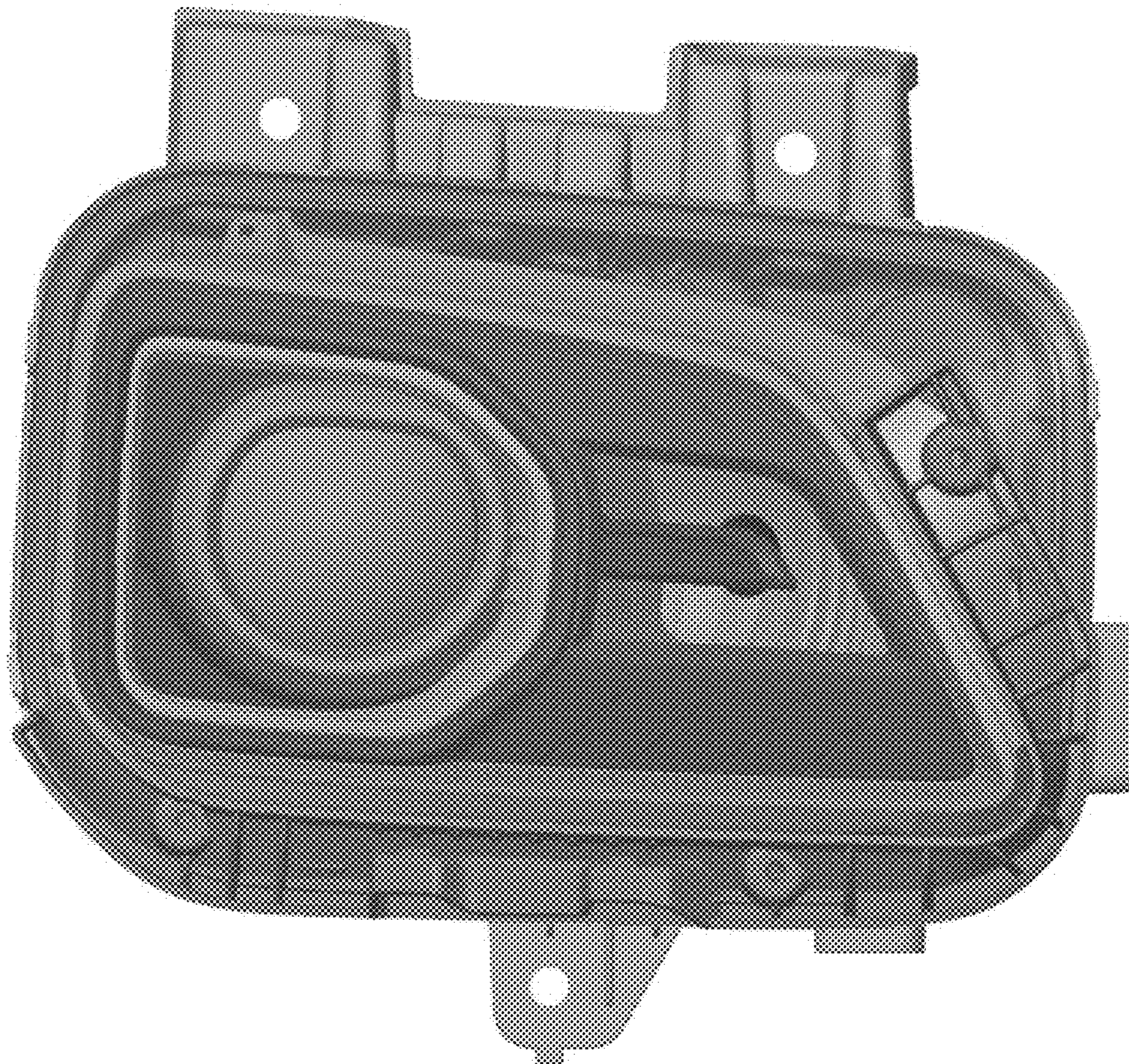
1 Claim, 7 Drawing Sheets



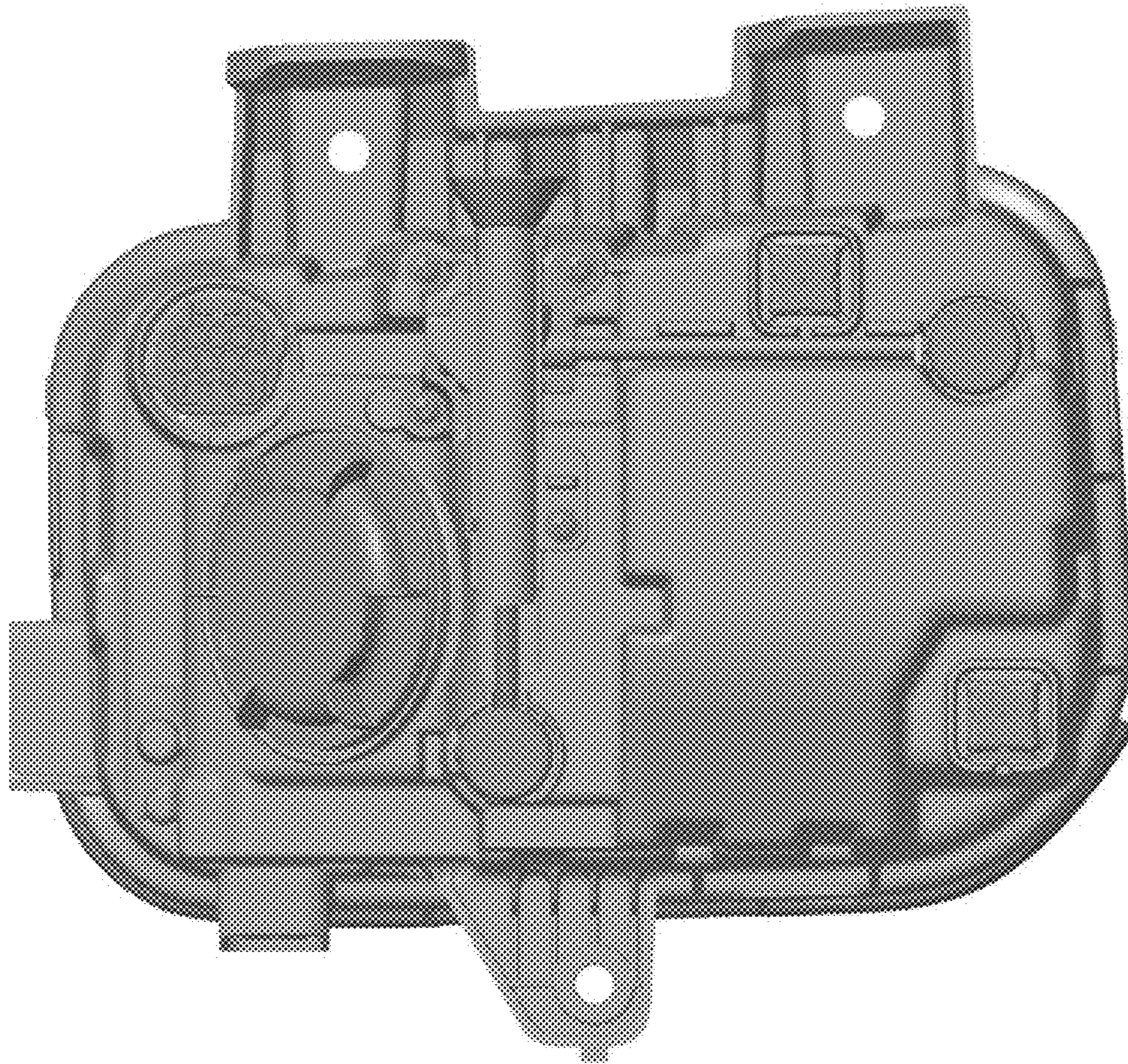
1.1



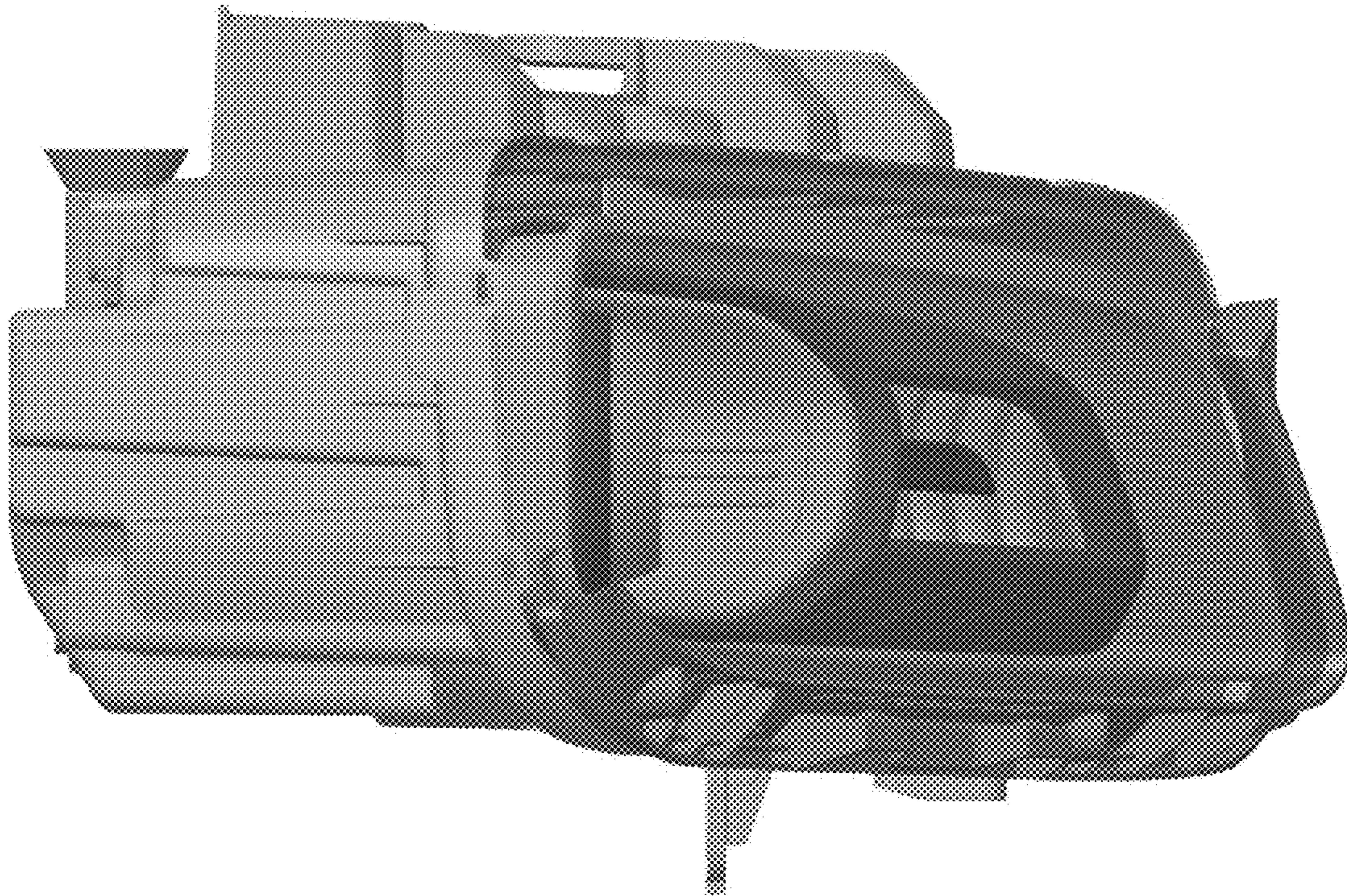
1.2



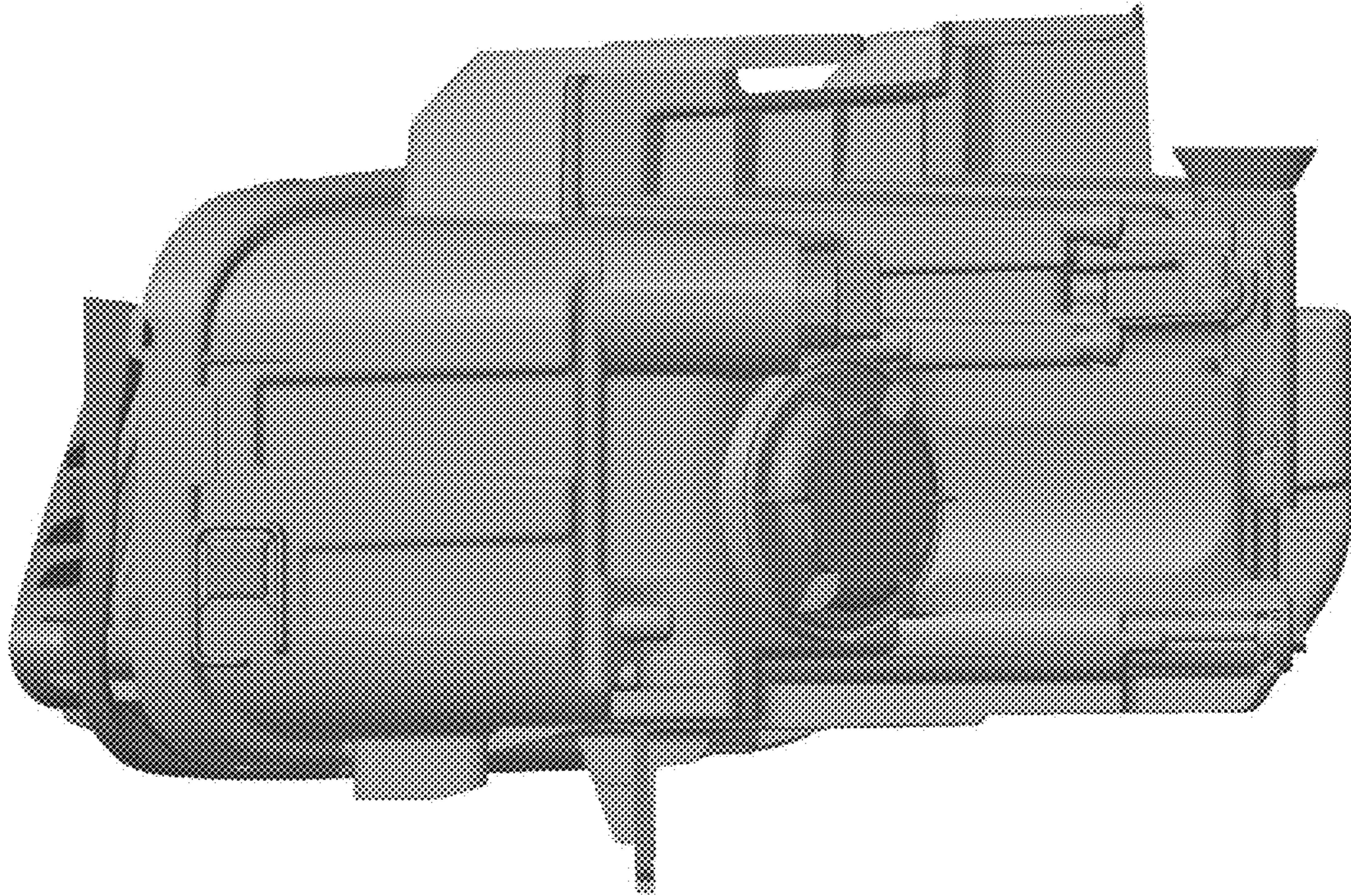
1.3



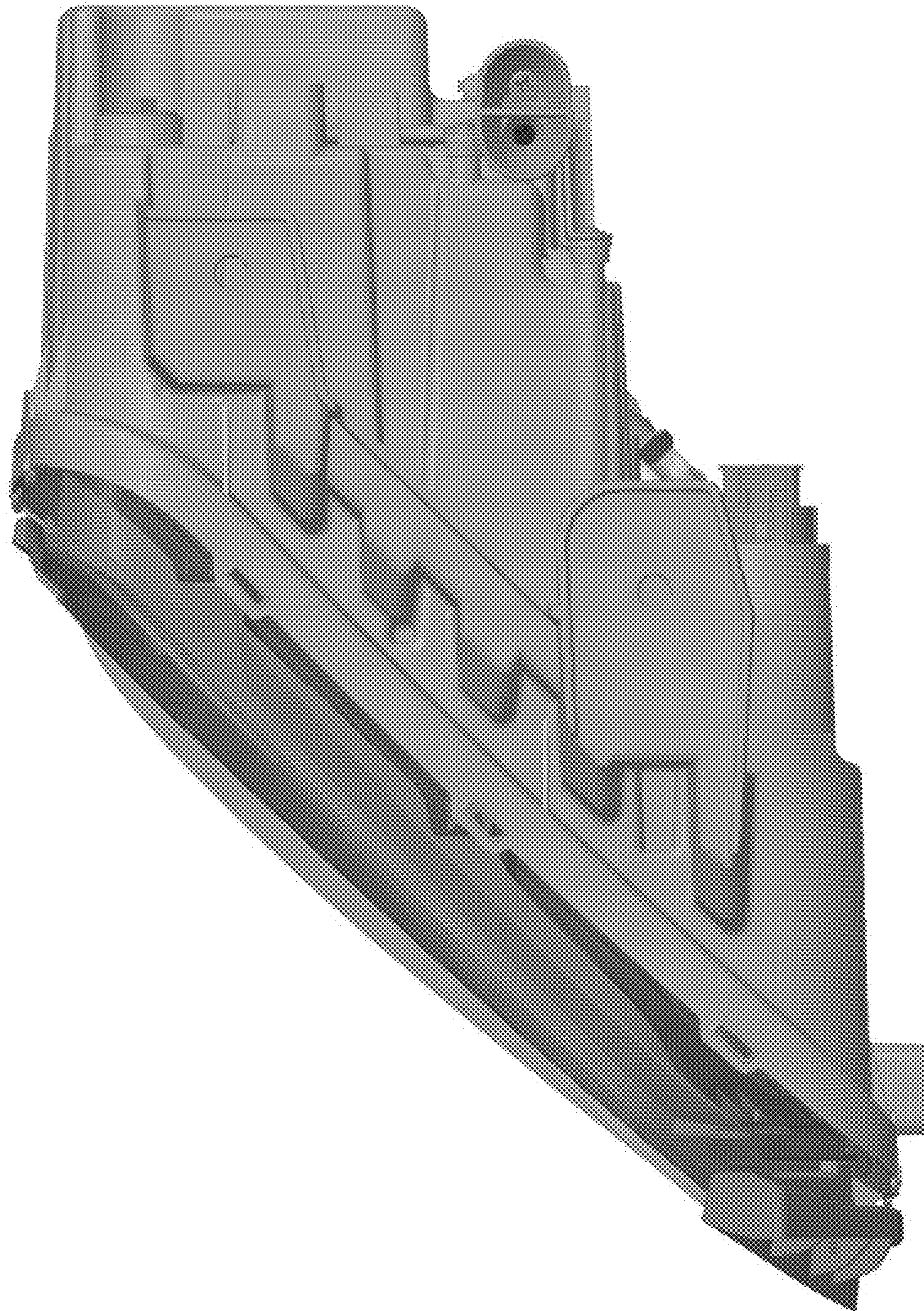
1.4



1.5



1.6



1.7

