



US00D833656S

(12) **United States Design Patent** (10) **Patent No.:** **US D833,656 S**
Ko (45) **Date of Patent:** **** Nov. 13, 2018**

(54) **LIGHTING UNIT**

(71) Applicants: **In Hong Ko**, Seoul (KR); **VISION X ASIA CO., LTD.**, Hwaseong-si (KR)

(72) Inventor: **In Hong Ko**, Seoul (KR)

(73) Assignees: **In Hong Ko**, Seoul (KR); **VISION X ASIA CO., LTD.**, Hwaseong-si (KR)

(**) Term: **15 Years**

(21) Appl. No.: **29/624,972**

(22) Filed: **Nov. 6, 2017**

(30) **Foreign Application Priority Data**

May 8, 2017 (KR) 30-2017-0020736

(51) **LOC (11) Cl.** **26-06**

(52) **U.S. Cl.**
USPC **D26/28**

(58) **Field of Classification Search**
USPC D26/28-36
CPC B60Q 9/13; B60Q 9/135; B60Q 9/1375;
F21S 48/00; F21S 48/10; F21S 48/115;
F21S 48/225; F21S 48/1233; F21S
48/1266; F21S 48/1388; F21S 48/2268;
F21V 21/04

See application file for complete search history.

(56) **References Cited**

U.S. PATENT DOCUMENTS

D643,955 S *	8/2011	Tsai	D26/28
D675,758 S *	2/2013	Adams	D26/28
D697,241 S *	1/2014	Chen	D26/28
D704,363 S *	5/2014	Adams	D26/28
D704,364 S *	5/2014	Adams	D26/28
D704,365 S *	5/2014	Adams	D26/28
D716,477 S *	10/2014	Chu	D26/28
D718,478 S *	11/2014	Adams	D26/28
D743,593 S *	11/2015	Yang	D26/28

* cited by examiner

Primary Examiner — Marcus A Jackson

(74) *Attorney, Agent, or Firm* — Cantor Colburn LLP

(57) **CLAIM**

The ornamental design for a lighting unit, as shown and described.

DESCRIPTION

FIG. 1 is a front side perspective view of a lighting unit showing my new design;
FIG. 2 is a rear side perspective view thereof;
FIG. 3 is a front elevational view thereof;
FIG. 4 is a rear elevational view thereof;
FIG. 5 is a left side elevational view thereof;
FIG. 6 is a right side elevational view thereof;
FIG. 7 is a top plan view thereof; and,
FIG. 8 is a bottom plan view thereof.

1 Claim, 7 Drawing Sheets

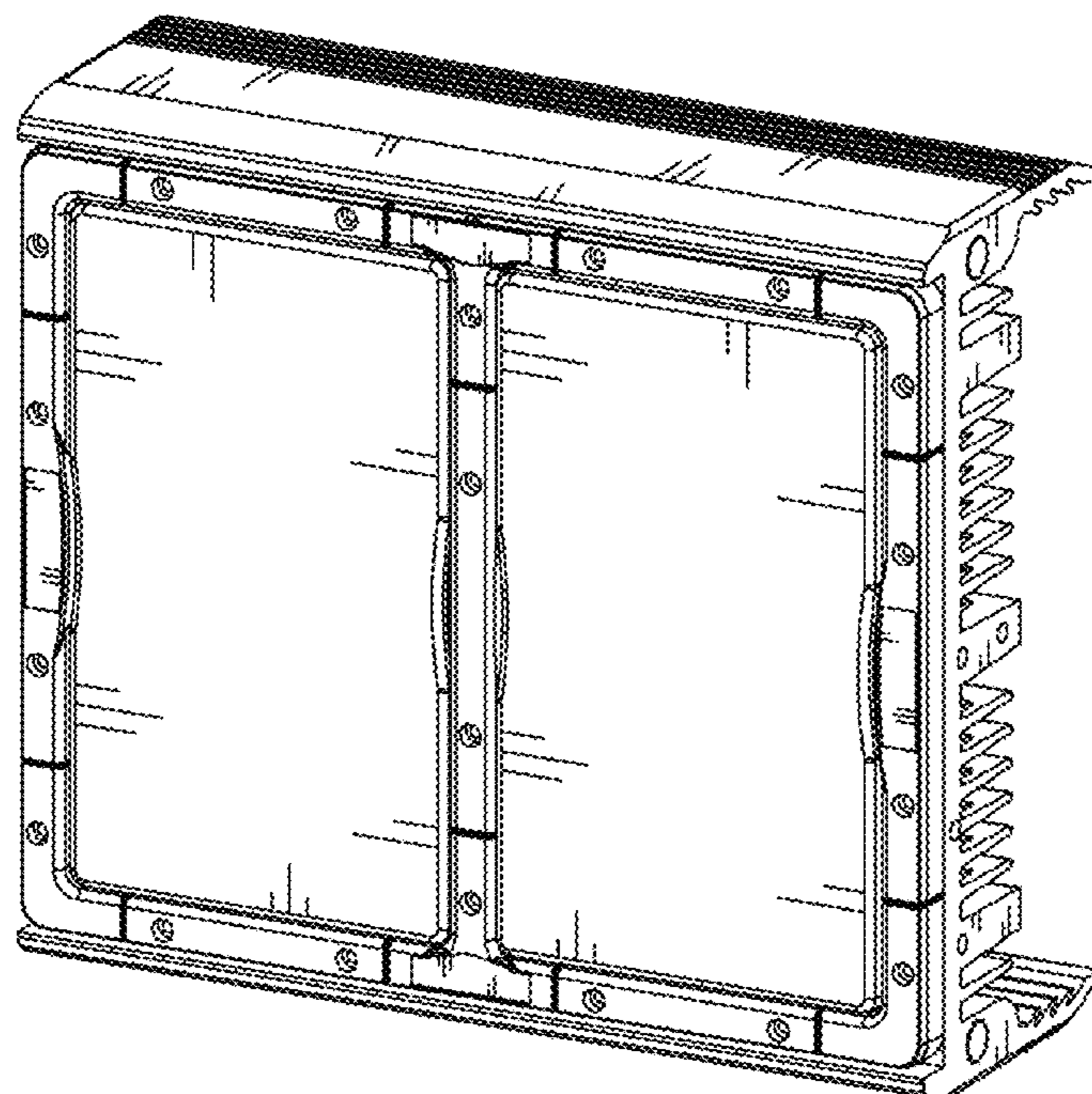


FIG. 1

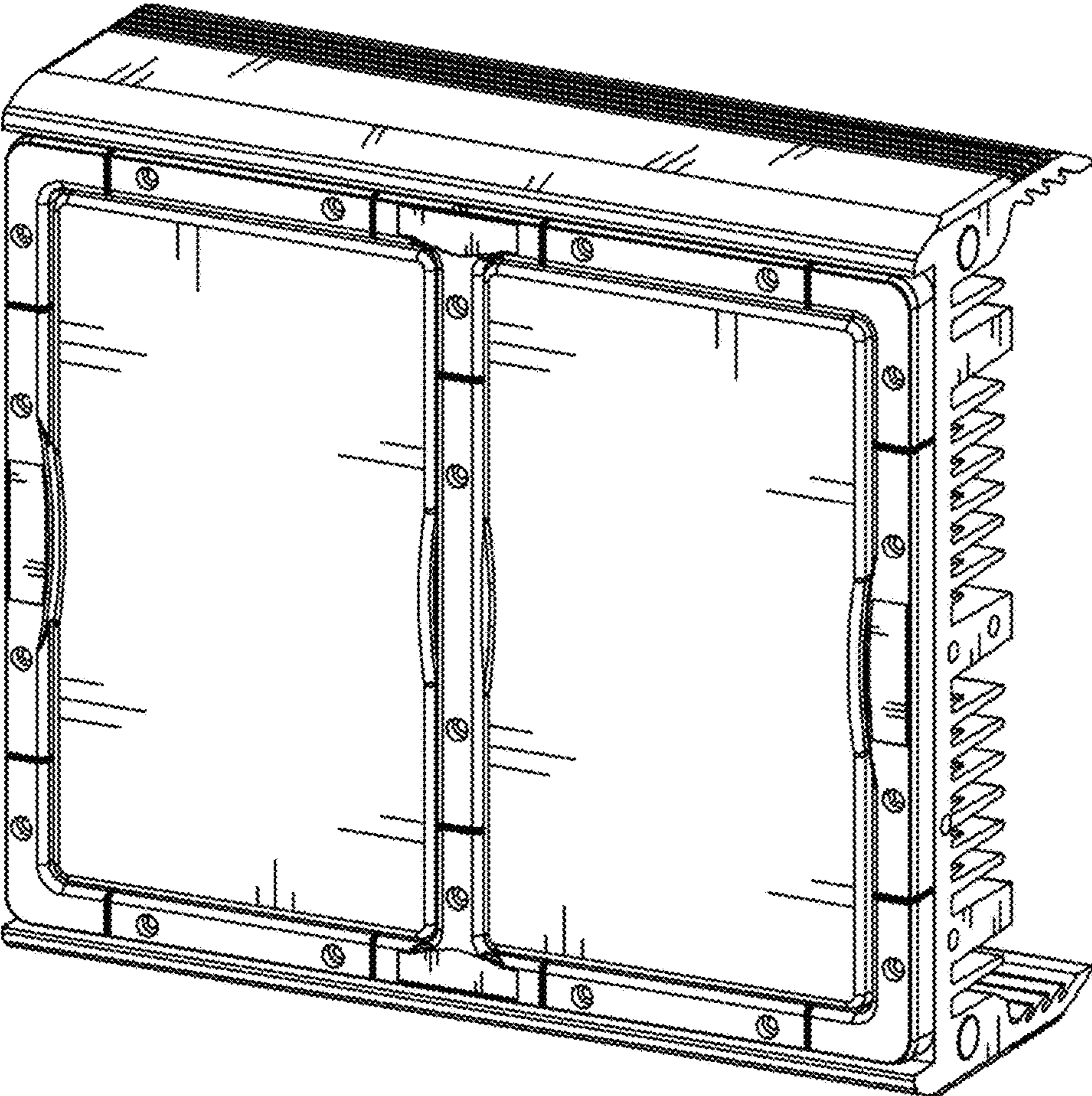


FIG. 2

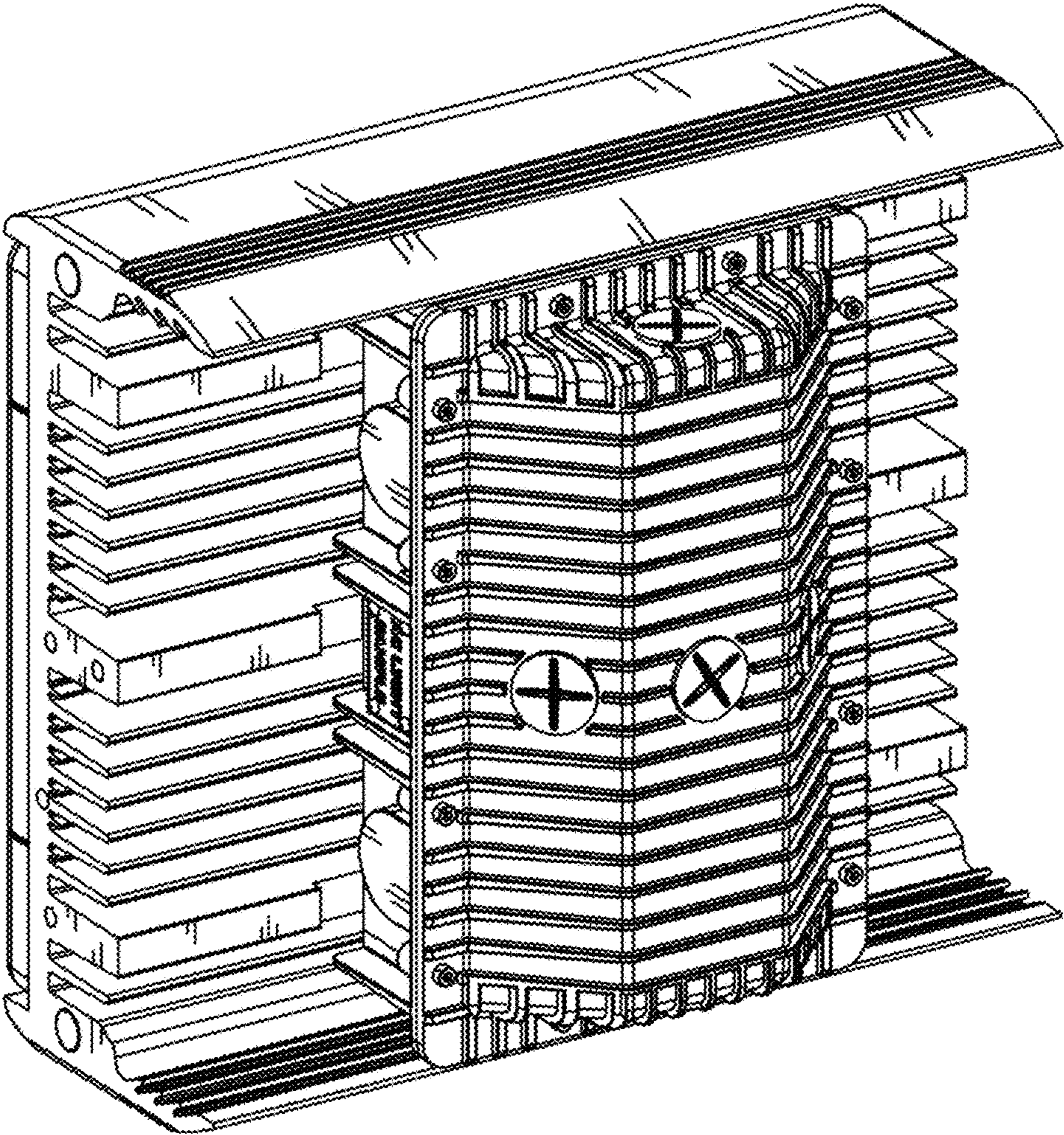


FIG. 3

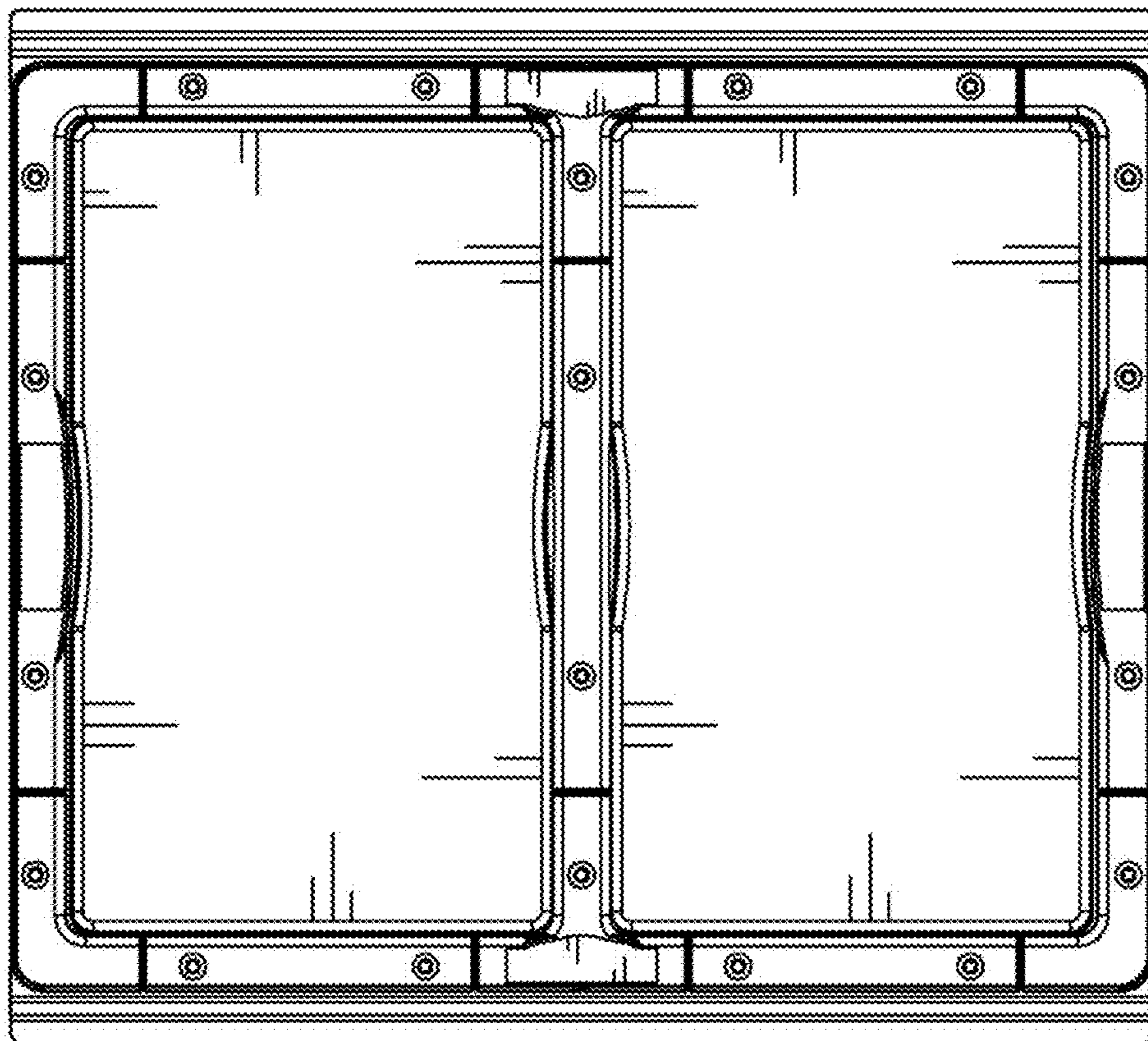


FIG. 4

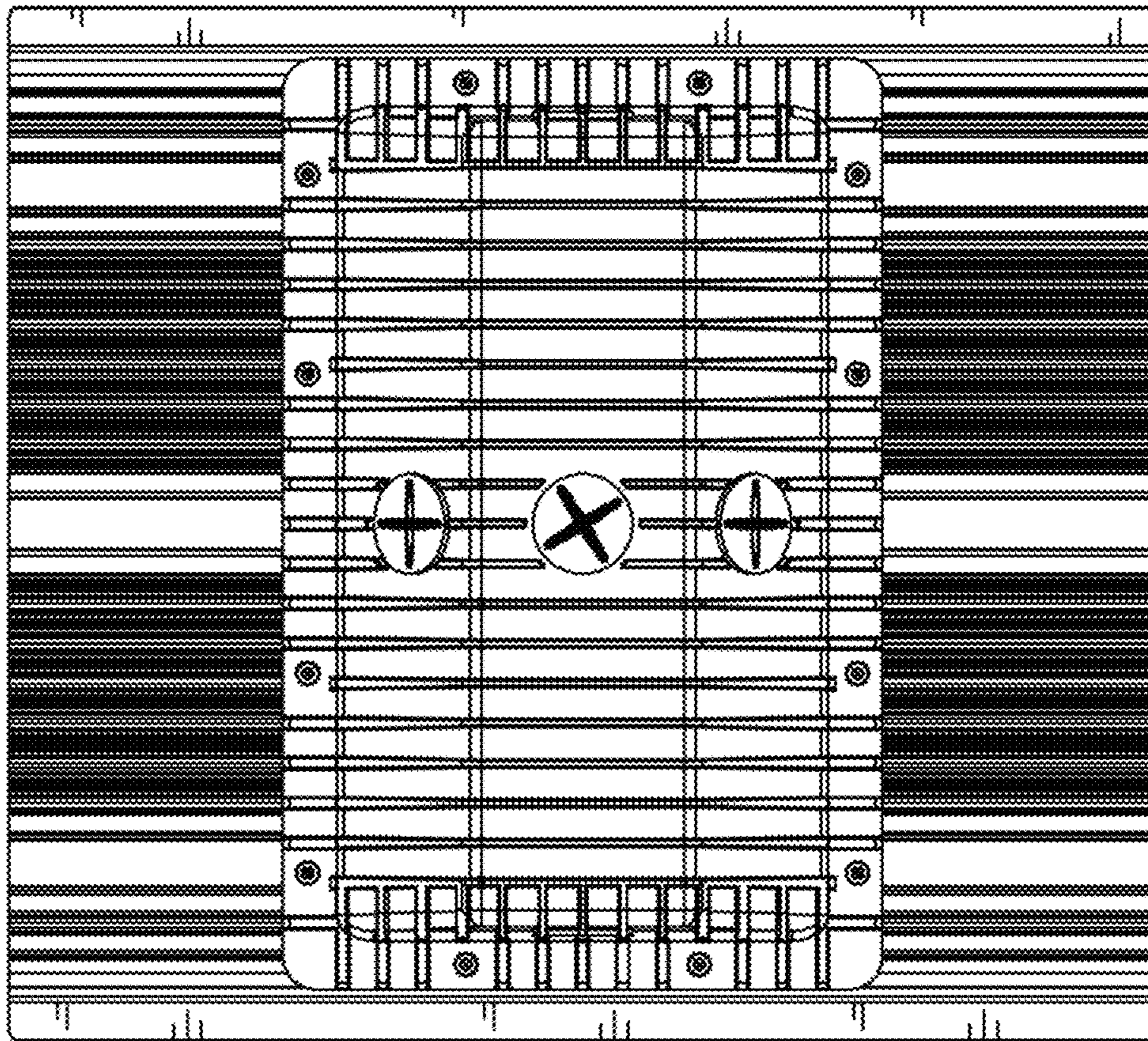


FIG. 5

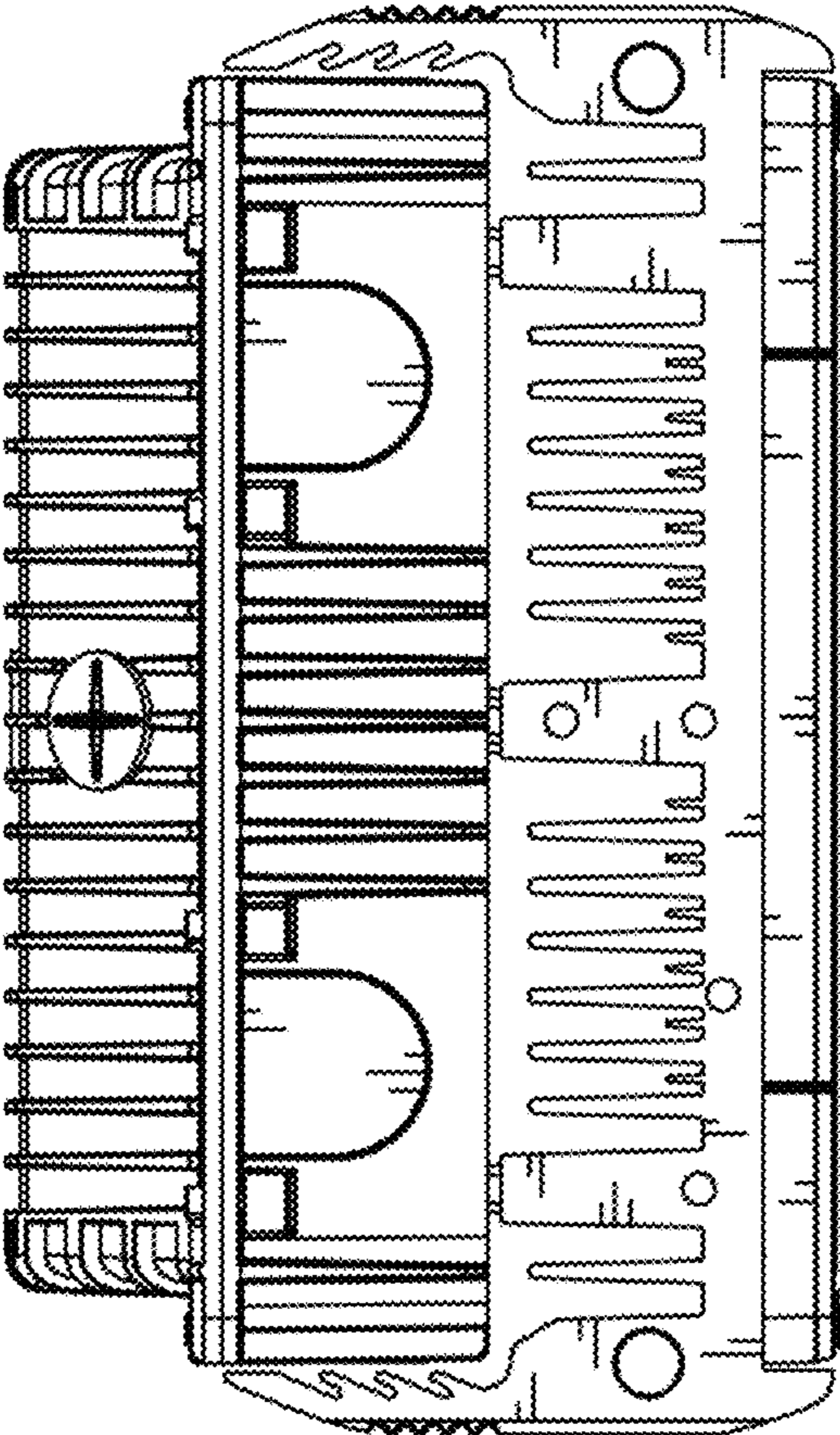


FIG. 6

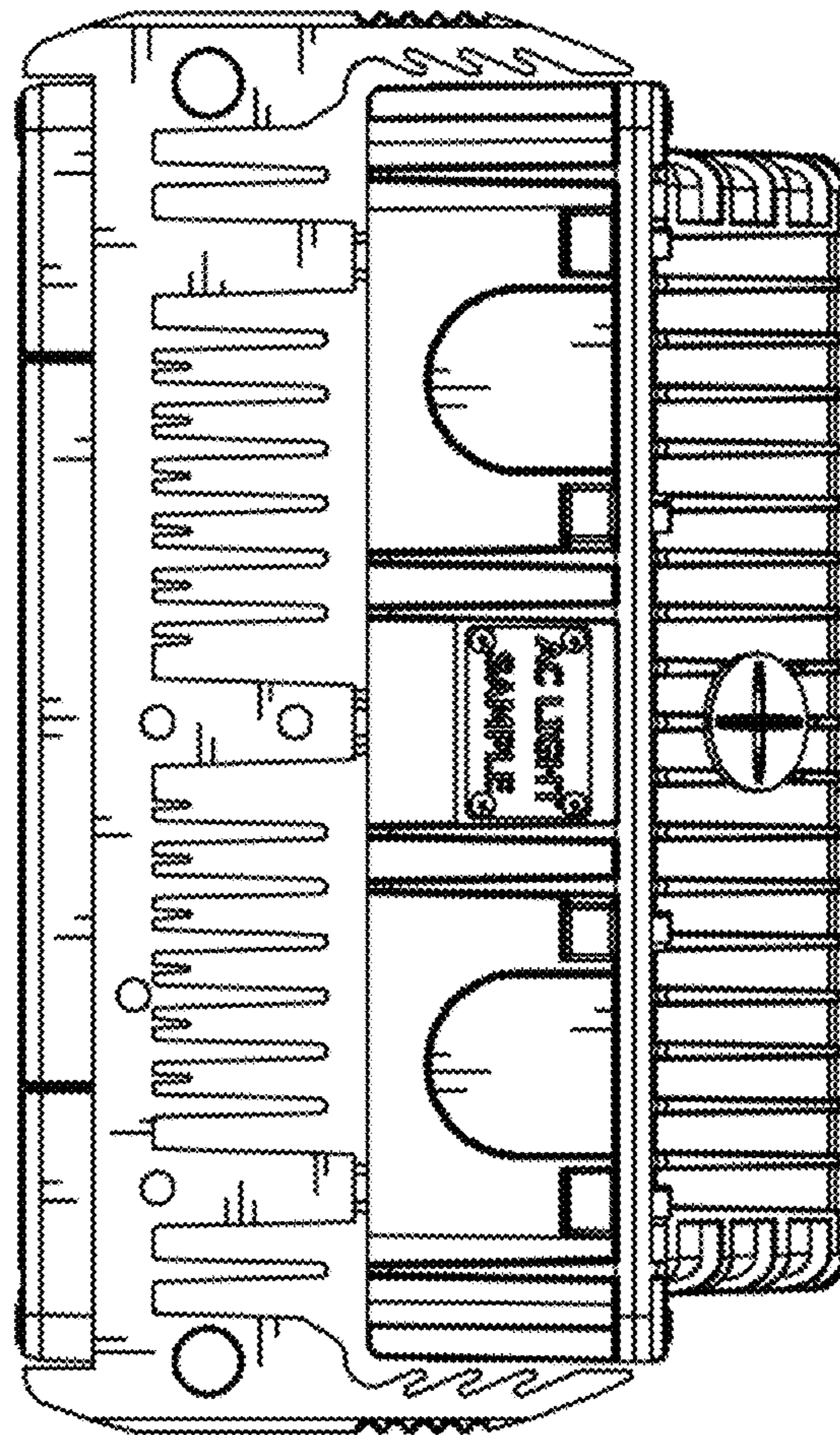


FIG. 7

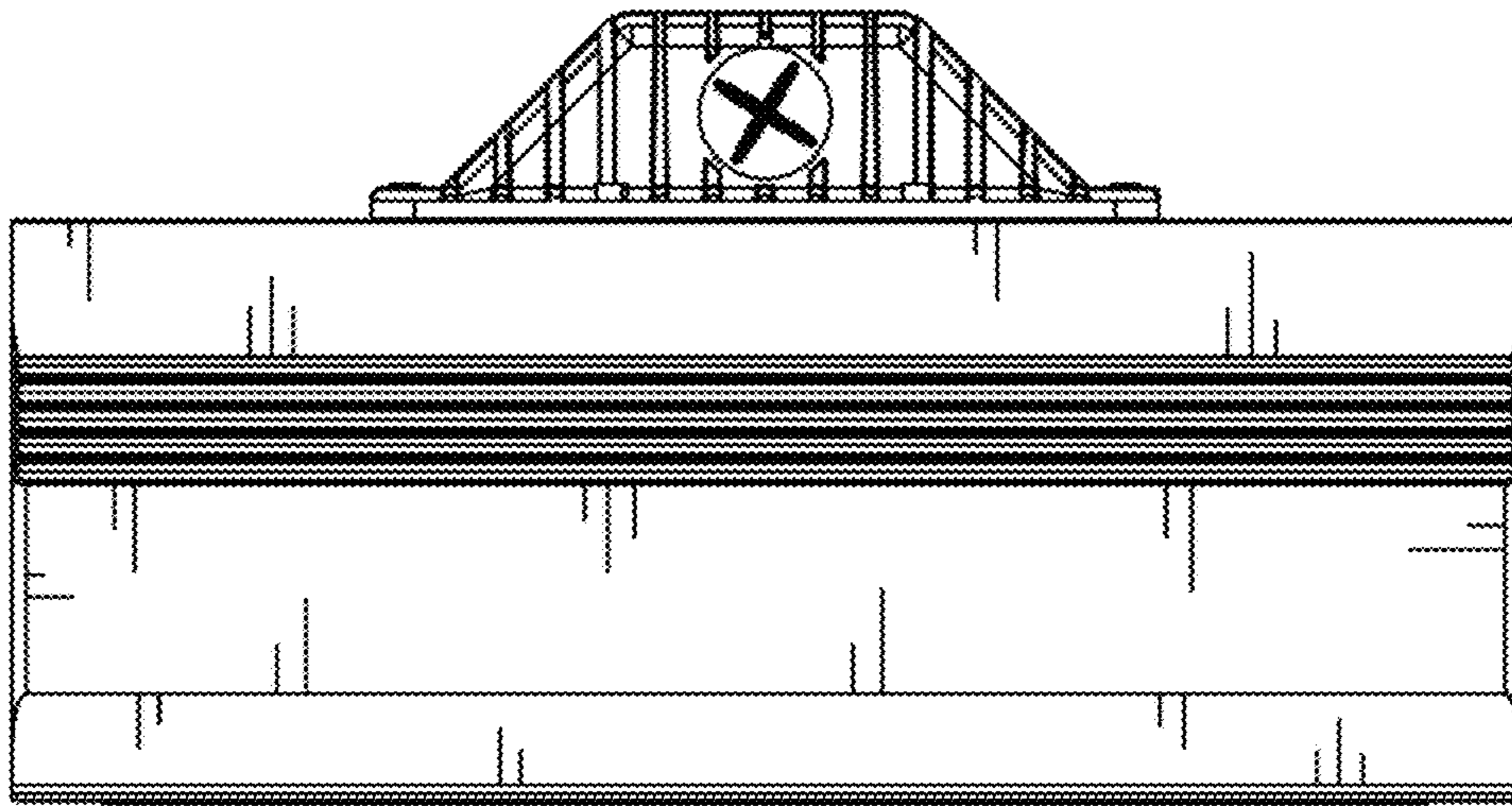


FIG. 8

