



US00D833654S

(12) **United States Design Patent** (10) **Patent No.:** **US D833,654 S**
Sakai et al. (45) **Date of Patent:** **** Nov. 13, 2018**

(54) **HEADLAMP FOR AN AUTOMOBILE**

D794,851 S * 8/2017 Youn D26/28
D798,476 S * 9/2017 Lai D26/28
D799,728 S * 10/2017 Whitla D26/28

(71) Applicant: **Nissan Motor Co., Ltd.**, Yokohama,
Kanagawa (JP)

* cited by examiner

(72) Inventors: **Junichi Sakai**, Kanagawa (JP);
Kazuhiko Watanabe, Kanagawa (JP);
Mitsunori Morita, Kanagawa (JP)

Primary Examiner — Marcus Jackson

(73) Assignee: **Nissan Motor Co., Ltd.**, Yokohama
(JP)

(57) **CLAIM**

The ornamental design for a headlamp for an automobile, as shown and described.

(**) Term: **15 Years**

DESCRIPTION

(21) Appl. No.: **29/623,085**

FIG. 1 is an outside elevational view of a headlamp for an automobile in accordance with a first embodiment of our new design;

(22) Filed: **Oct. 23, 2017**

FIG. 2 is an inside elevational view thereof;

(30) **Foreign Application Priority Data**

Apr. 24, 2017 (JP) 2017-008776

FIG. 3 is a top plan view thereof;

(51) **LOC (11) Cl.** **26-06**

FIG. 4 is a bottom plan view thereof;

(52) **U.S. Cl.**
USPC **D26/28**

FIG. 5 is a front side elevational view thereof;

(58) **Field of Classification Search**
USPC D26/28-36; 362/80-83, 267-269,
362/459-468, 475-478, 485-487
CPC F21S 48/00; F21S 48/10; F21S 48/115;
F21S 48/225; F21S 48/1233; F21S
48/1266; F21S 48/1388; F21S 48/2268;
F21V 21/04
See application file for complete search history.

FIG. 6 is a rear side elevational view thereof; and,

FIG. 7 is a front side perspective view thereof.

The headlamp is configured to be mounted to an automobile. The mounting structure and support structure of the headlamp, shown in broken lines in FIGS. 1 to 7, form no part of the claimed design since the mounting structure and support structure are hidden when the headlamp is mounted to the automobile.

In addition, the appearance of the rear side structures and inside structures of the headlamp as shown in broken lines in FIGS. 1 to 7 is for purpose of illustrating the boundaries of the exterior surface of the outside of the headlamp, and forms no part of the claimed design. The headlamp has a front lens that is transparent such that features behind the lens are at least partially visible as illustrated.

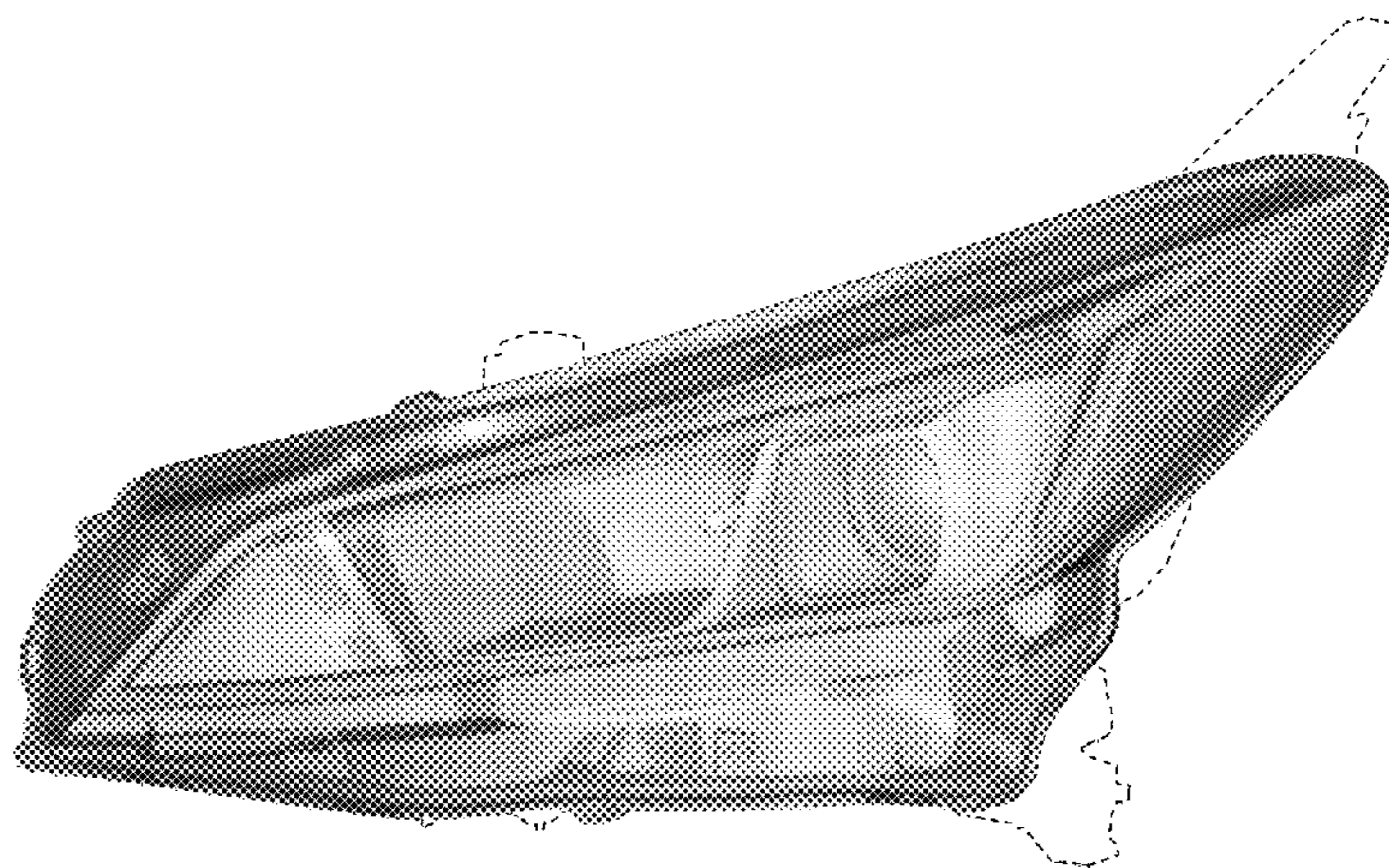
A second embodiment of our new design includes the mirror image of the headlamp shown in FIGS. 1 to 7.

(56) **References Cited**

U.S. PATENT DOCUMENTS

D761,461 S * 7/2016 Lai D26/28
D787,727 S * 5/2017 Lai D26/28
D792,994 S * 7/2017 Hwang D26/28

1 Claim, 7 Drawing Sheets



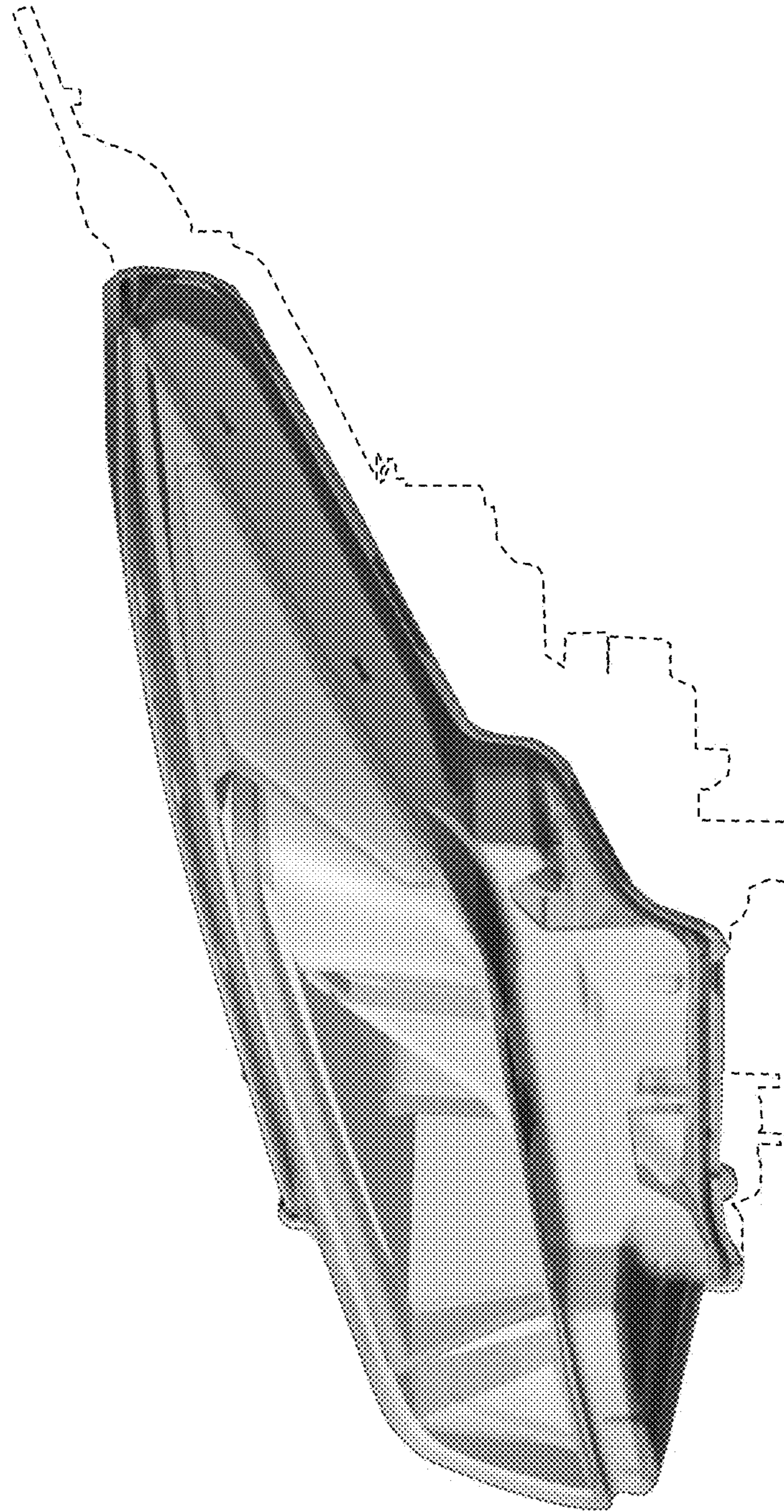


FIG. 1



FIG. 2

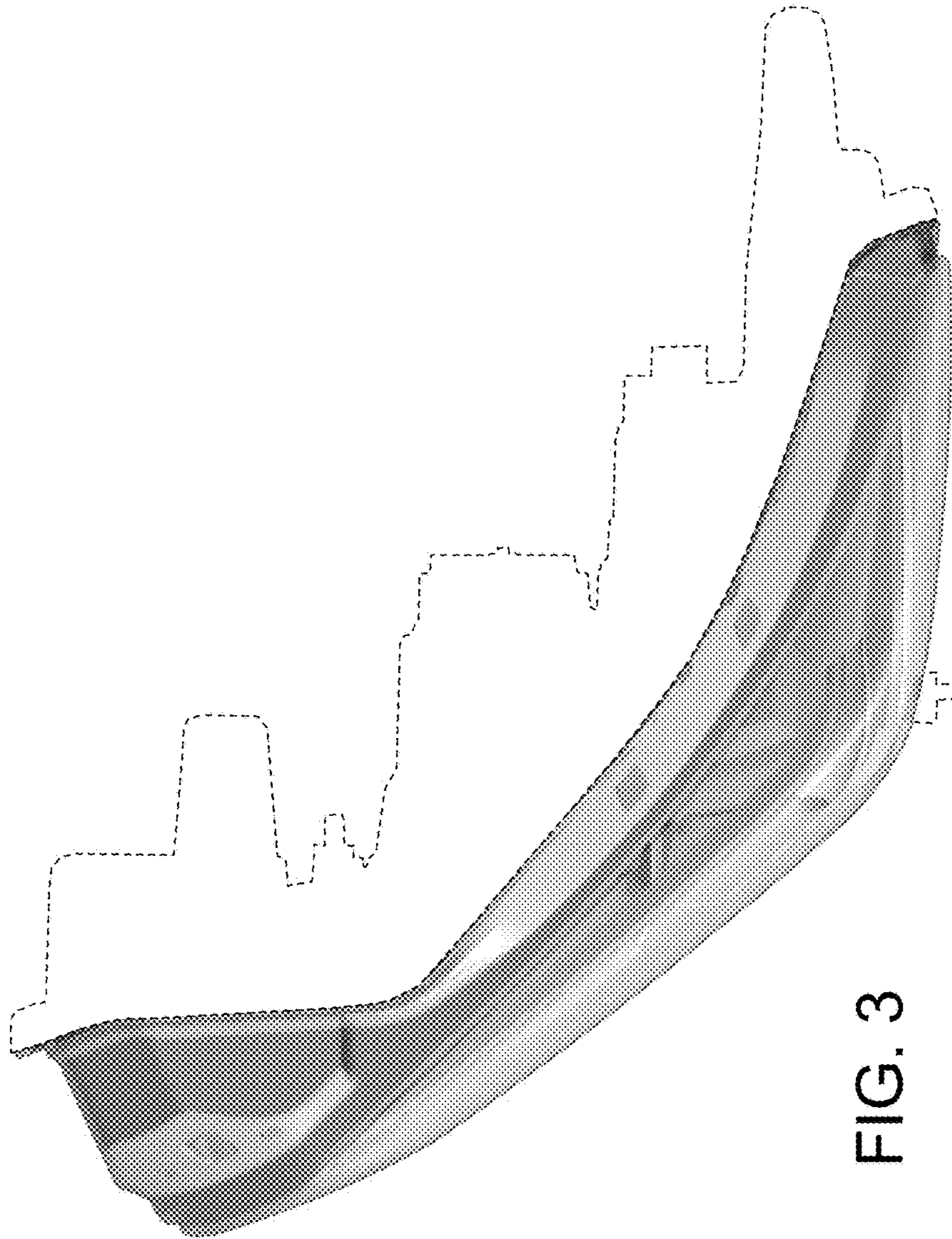


FIG. 3



FIG. 4

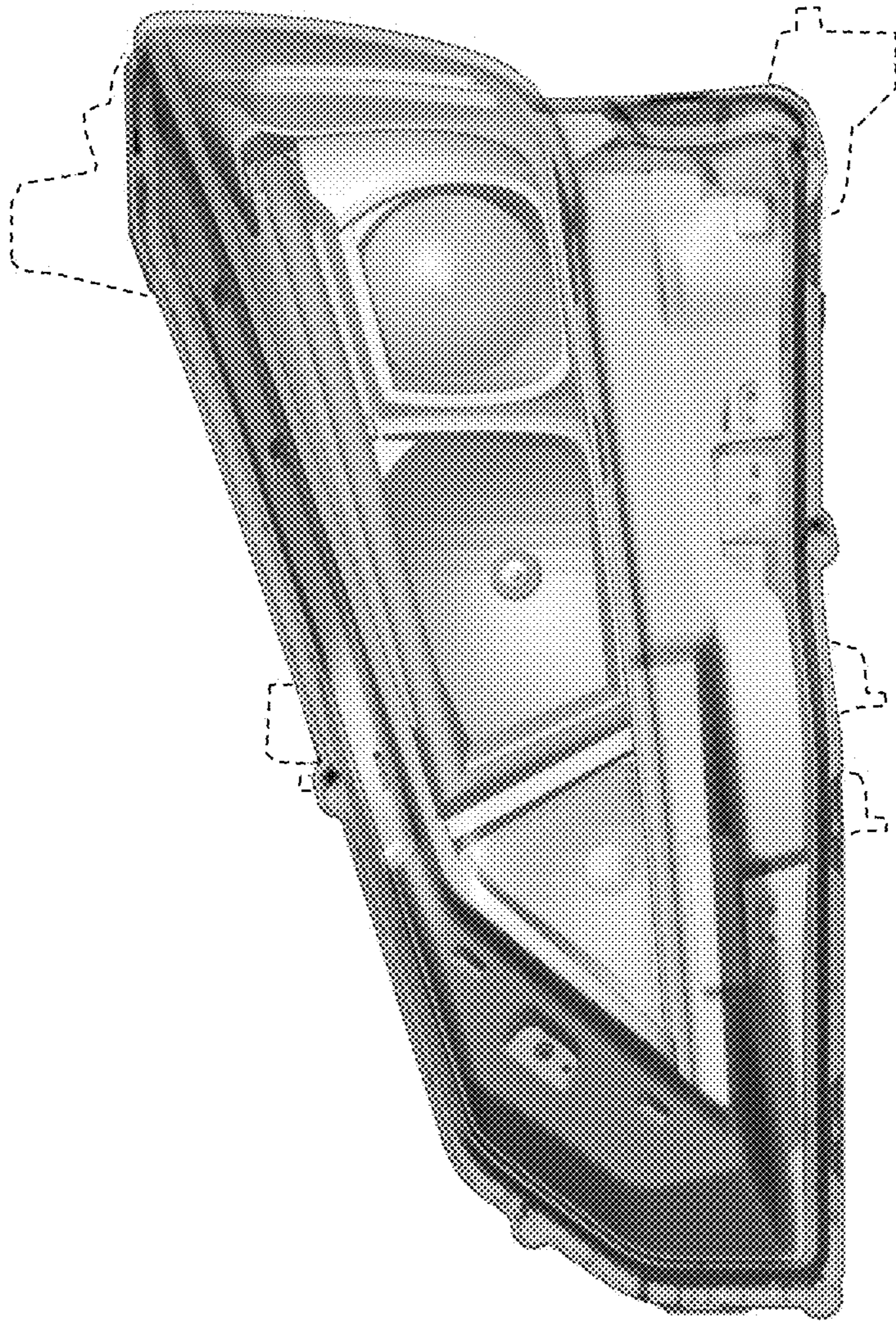


FIG. 5

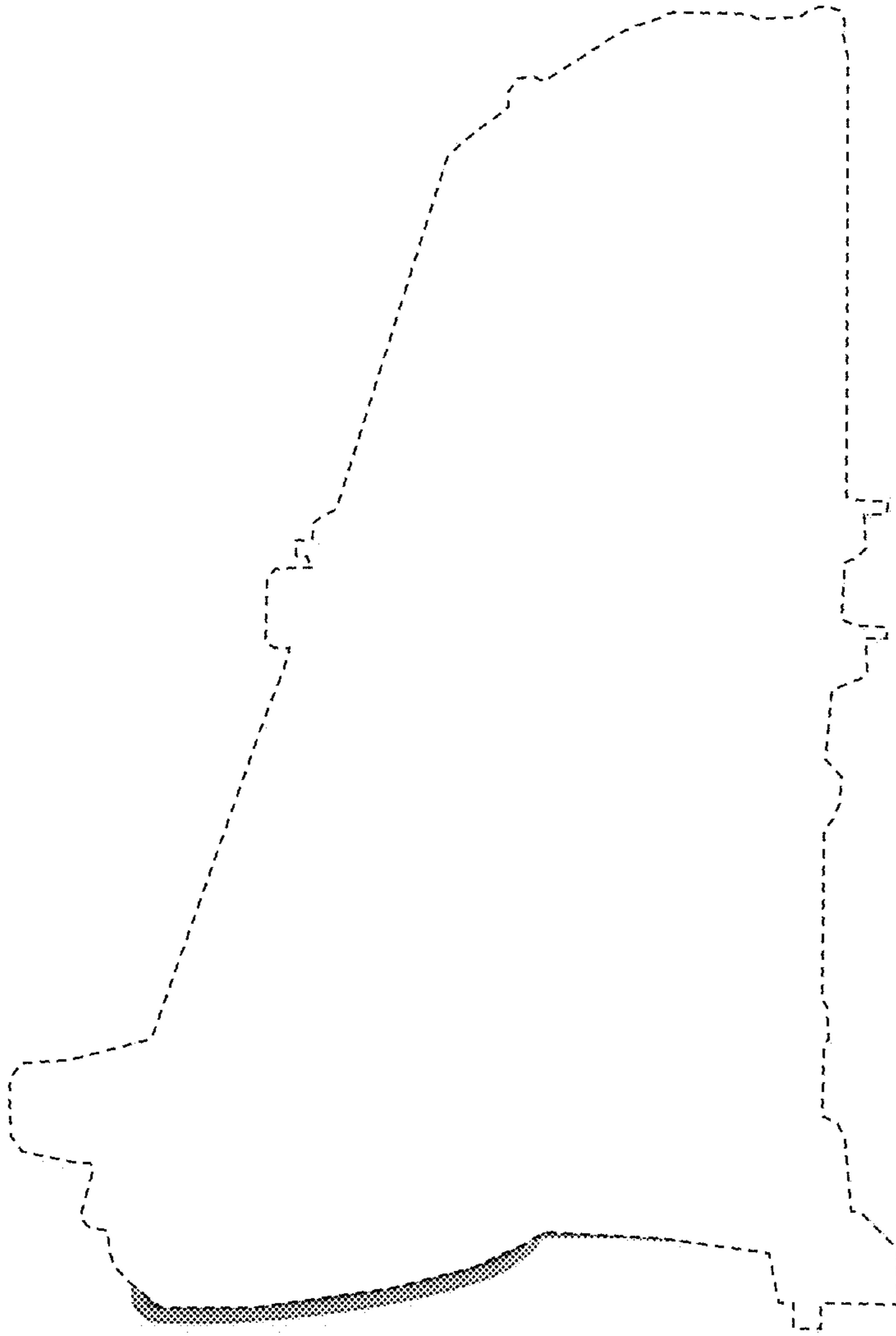


FIG. 6

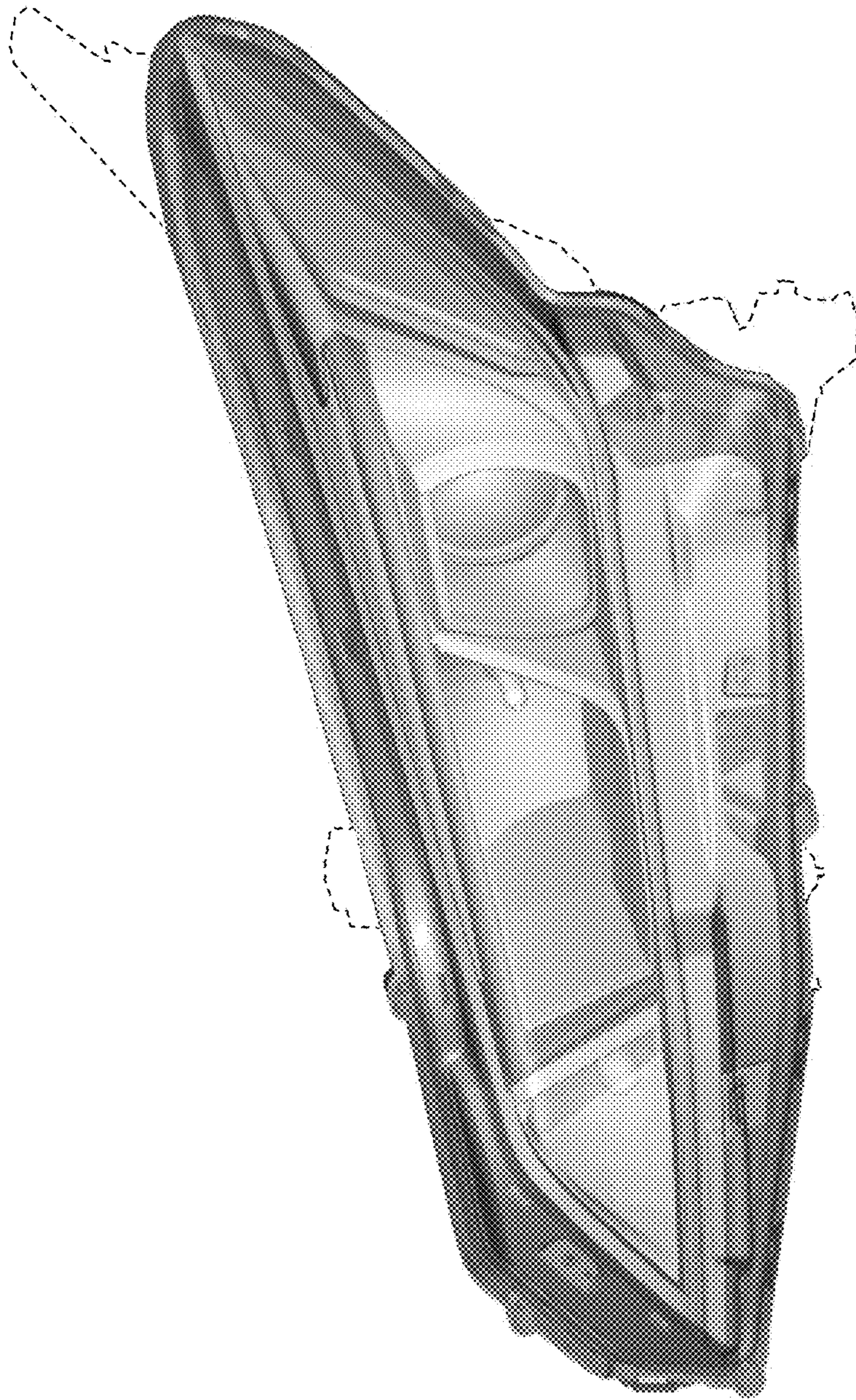


FIG. 7