



US00D833653S

(12) **United States Design Patent**
Sakai et al.

(10) **Patent No.:** **US D833,653 S**

(45) **Date of Patent:** **** Nov. 13, 2018**

(54) **HEADLAMP FOR AN AUTOMOBILE**

D535,409 S * 1/2007 Yamaguchi D26/28
D675,759 S * 2/2013 Wada D26/28
D677,813 S * 3/2013 Hanaoka D26/28

(71) Applicant: **Nissan Motor Co., Ltd.**, Yokohama,
Kanagawa (JP)

* cited by examiner

(72) Inventors: **Junichi Sakai**, Kanagawa (JP);
Kazuhiko Watanabe, Kanagawa (JP);
Mitsunori Morita, Kanagawa (JP)

Primary Examiner — Marcus Jackson

(73) Assignee: **Nissan Motor Co., Ltd.**, Yokohama
(JP)

(57) **CLAIM**

The ornamental design for a headlamp for an automobile, as shown and described.

(**) Term: **15 Years**

DESCRIPTION

(21) Appl. No.: **29/623,081**

FIG. 1 is an outside elevational view of a headlamp for an automobile in accordance with a first embodiment of our new design;

(22) Filed: **Oct. 23, 2017**

FIG. 2 is an inside elevational view thereof;

(30) **Foreign Application Priority Data**

Apr. 24, 2017 (JP) 2017-008775

FIG. 3 is a top plan view thereof;

(51) **LOC (11) Cl.** **26-06**

FIG. 4 is a bottom plan view thereof;

(52) **U.S. Cl.**

USPC **D26/28**

FIG. 5 is a front side elevational view thereof;

(58) **Field of Classification Search**

USPC D26/28-36; 362/80-83, 267-269,
362/459-468, 475-478, 485-487

FIG. 6 is a rear side elevational view thereof; and,

CPC F21S 48/00; F21S 48/10; F21S 48/115;
F21S 48/225; F21S 48/1233; F21S
48/1266; F21S 48/1388; F21S 48/2268;
F21V 21/04

FIG. 7 is a front side perspective view thereof.

See application file for complete search history.

The headlamp for an automobile is configured to be mounted to an automobile. The mounting structure and support structure of the headlamp for an automobile, shown in broken lines in FIGS. 1 to 7, form no part of the claimed design since the mounting structure and support structure are hidden when the headlamp for an automobile is mounted to the automobile.

(56) **References Cited**

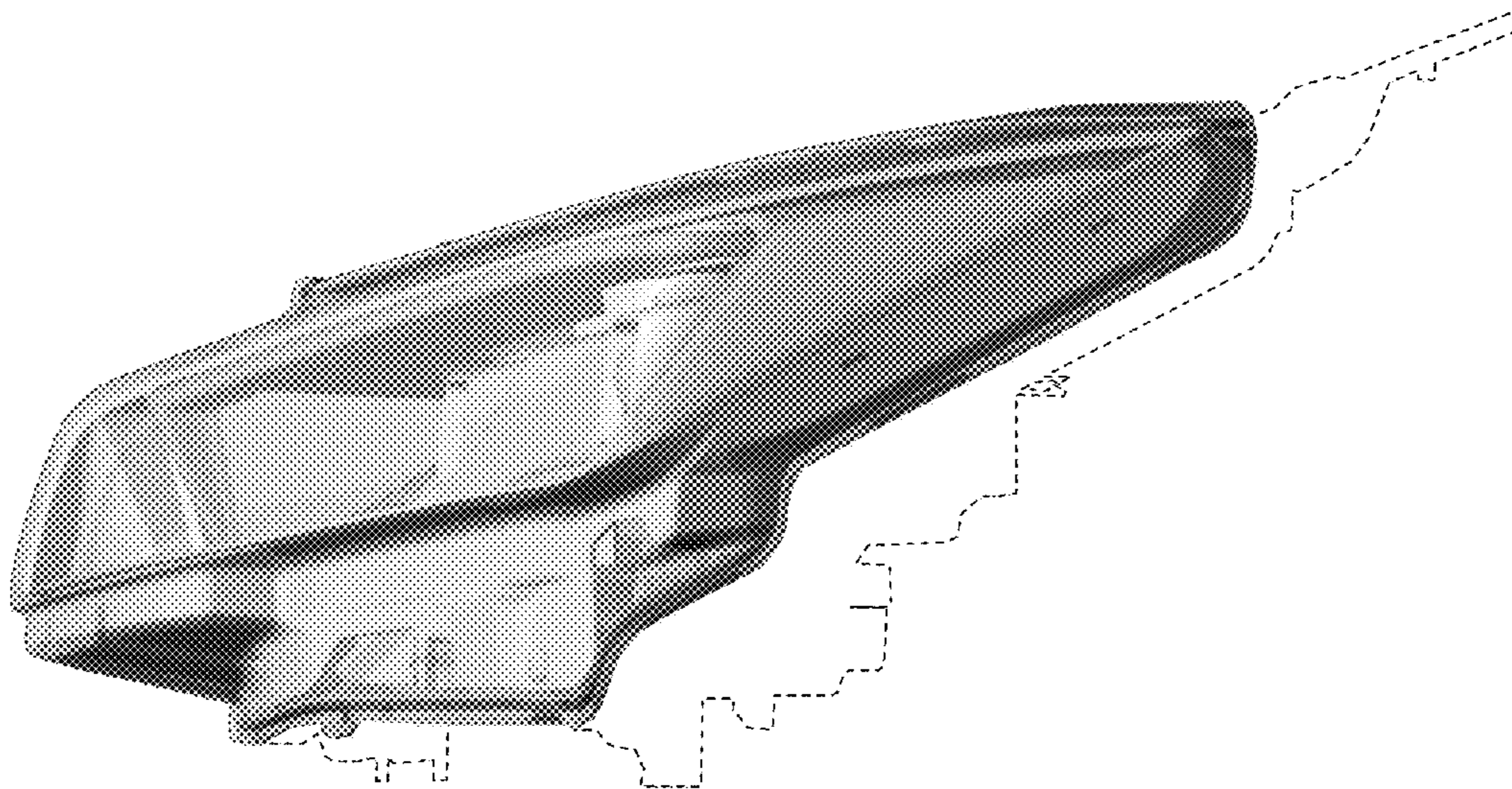
U.S. PATENT DOCUMENTS

D528,231 S * 9/2006 Ikeda D26/28
D529,208 S * 9/2006 Ikeda D26/28

In addition, the appearance of the rear side structures and inside structures of the headlamp for an automobile as shown in broken lines in FIGS. 1 to 7 is for purpose of illustrating the boundaries of the exterior surface of the outside of the headlamp for an automobile, and forms no part of the claimed design. The headlamp for an automobile has a front lens that is transparent such that features behind the lens are at least partially visible as illustrated.

A second embodiment of our new design includes the mirror image of the headlamp for an automobile shown in FIGS. 1 to 7.

1 Claim, 7 Drawing Sheets



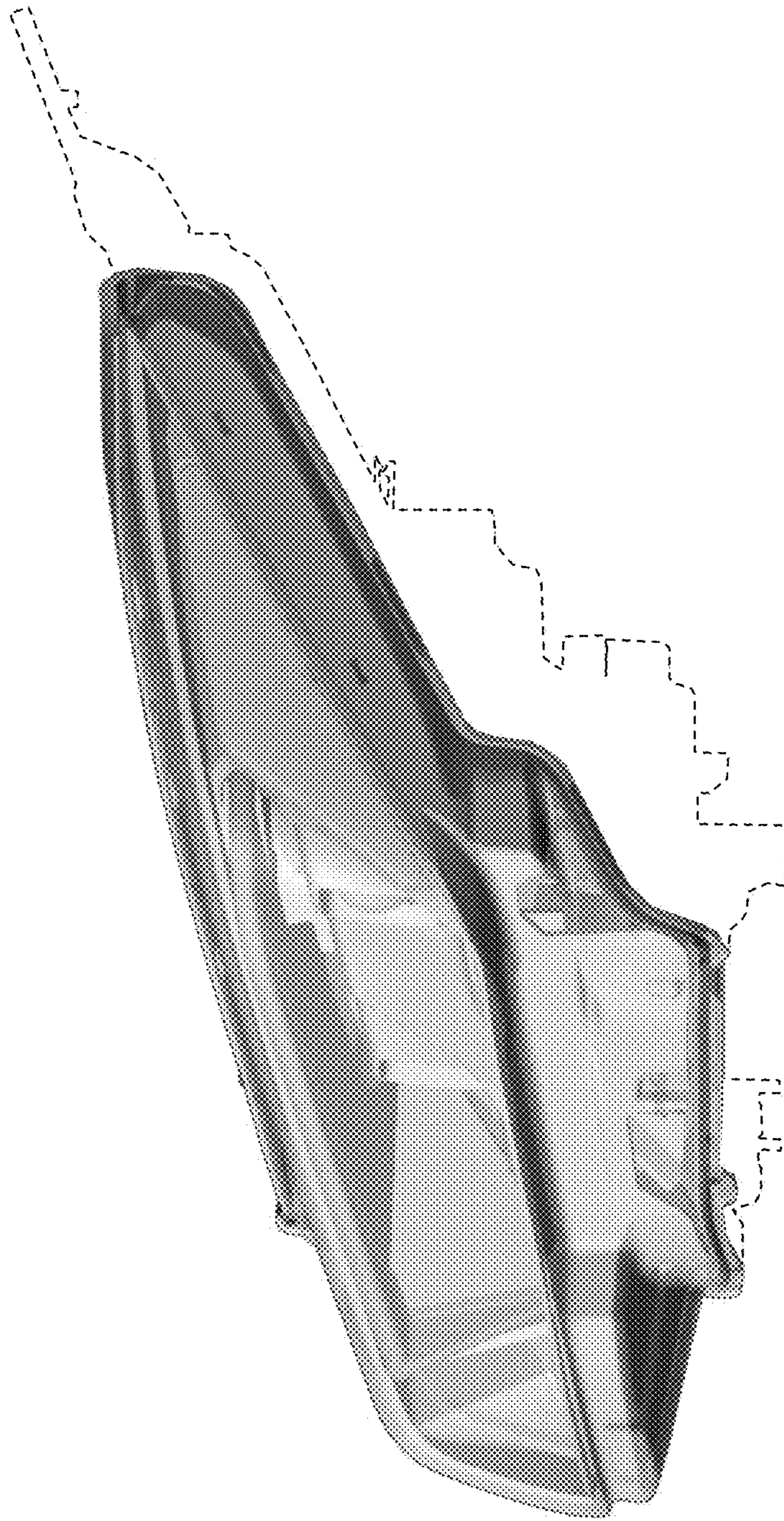


FIG. 1

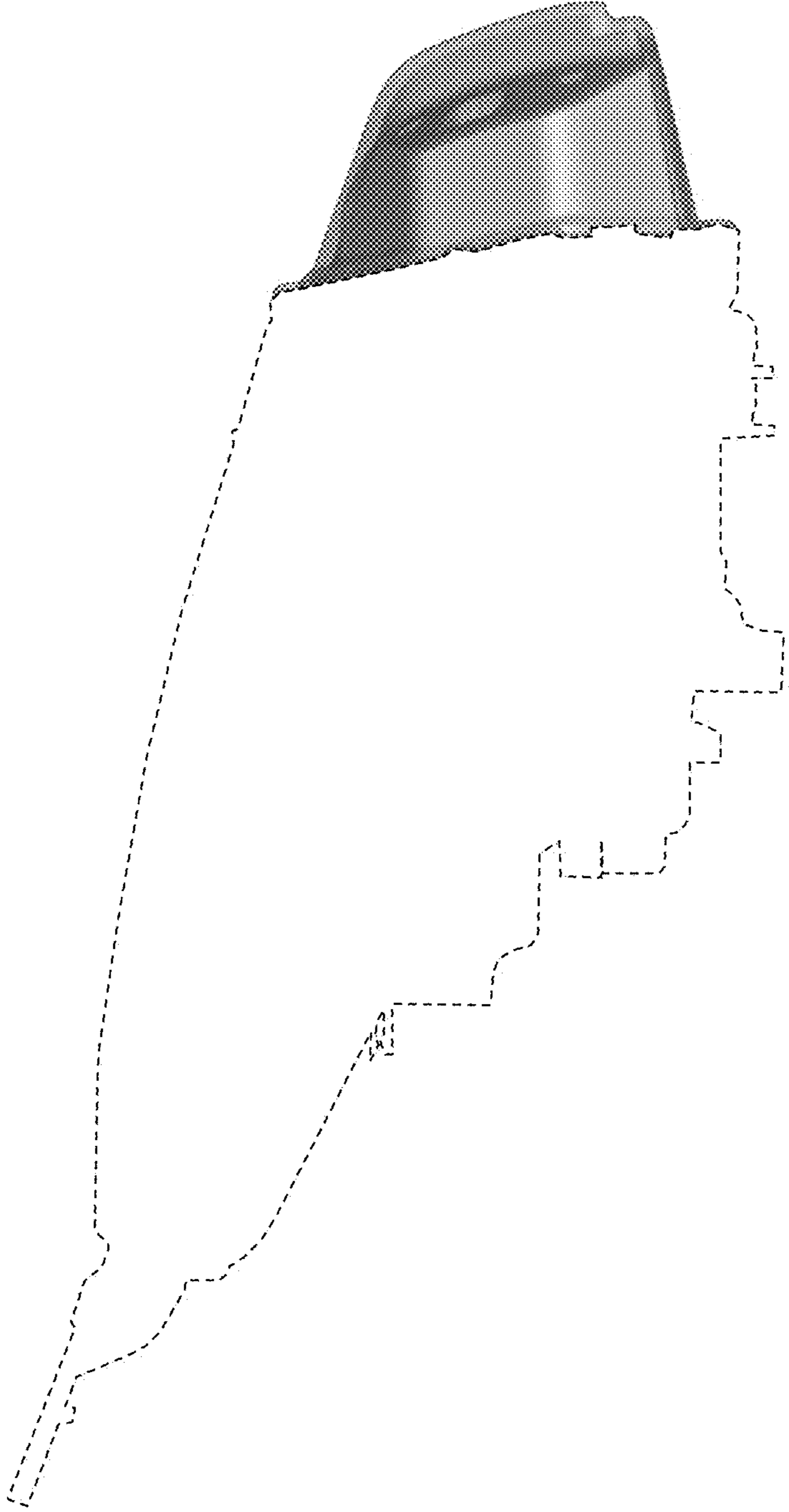


FIG. 2

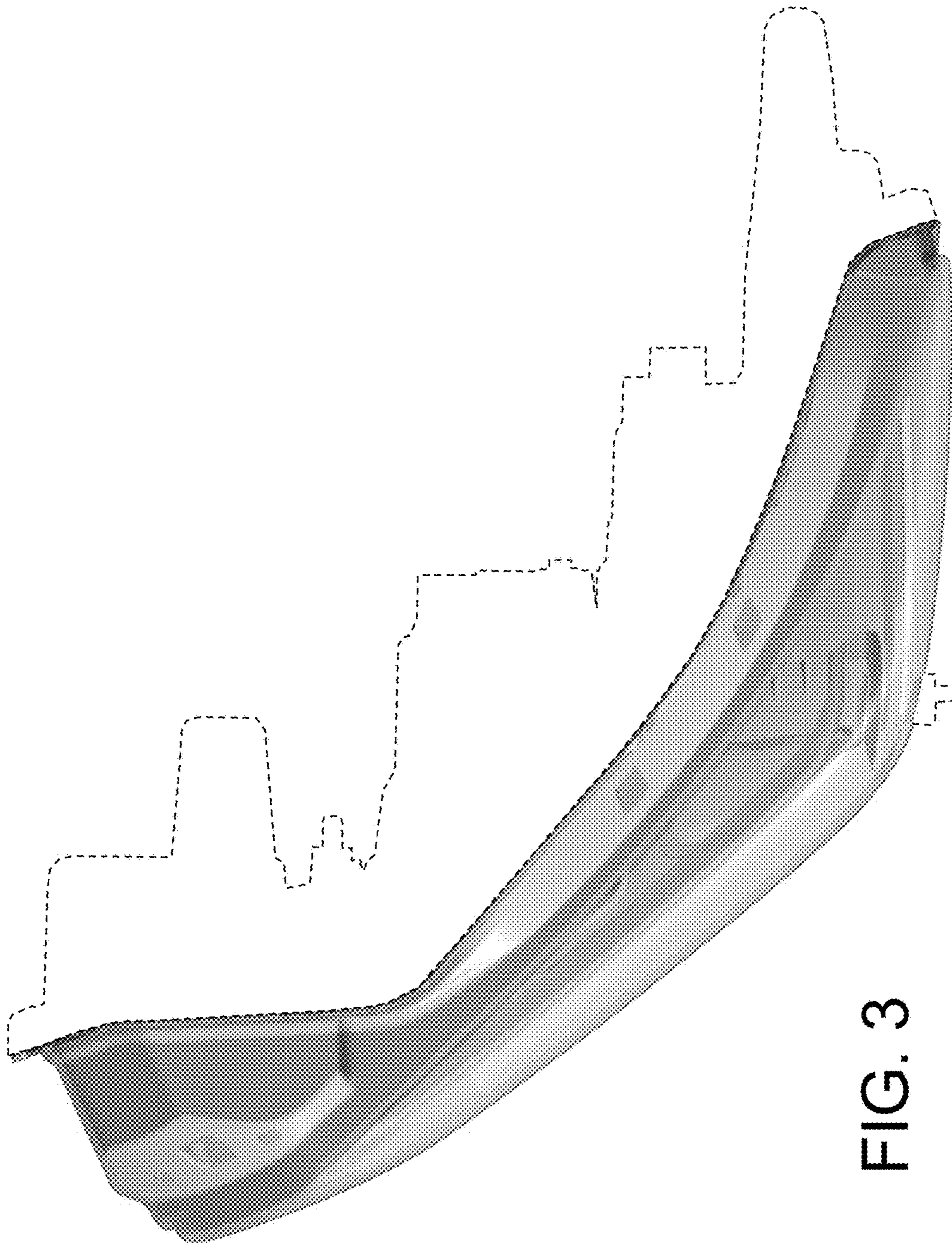


FIG. 3



FIG. 4

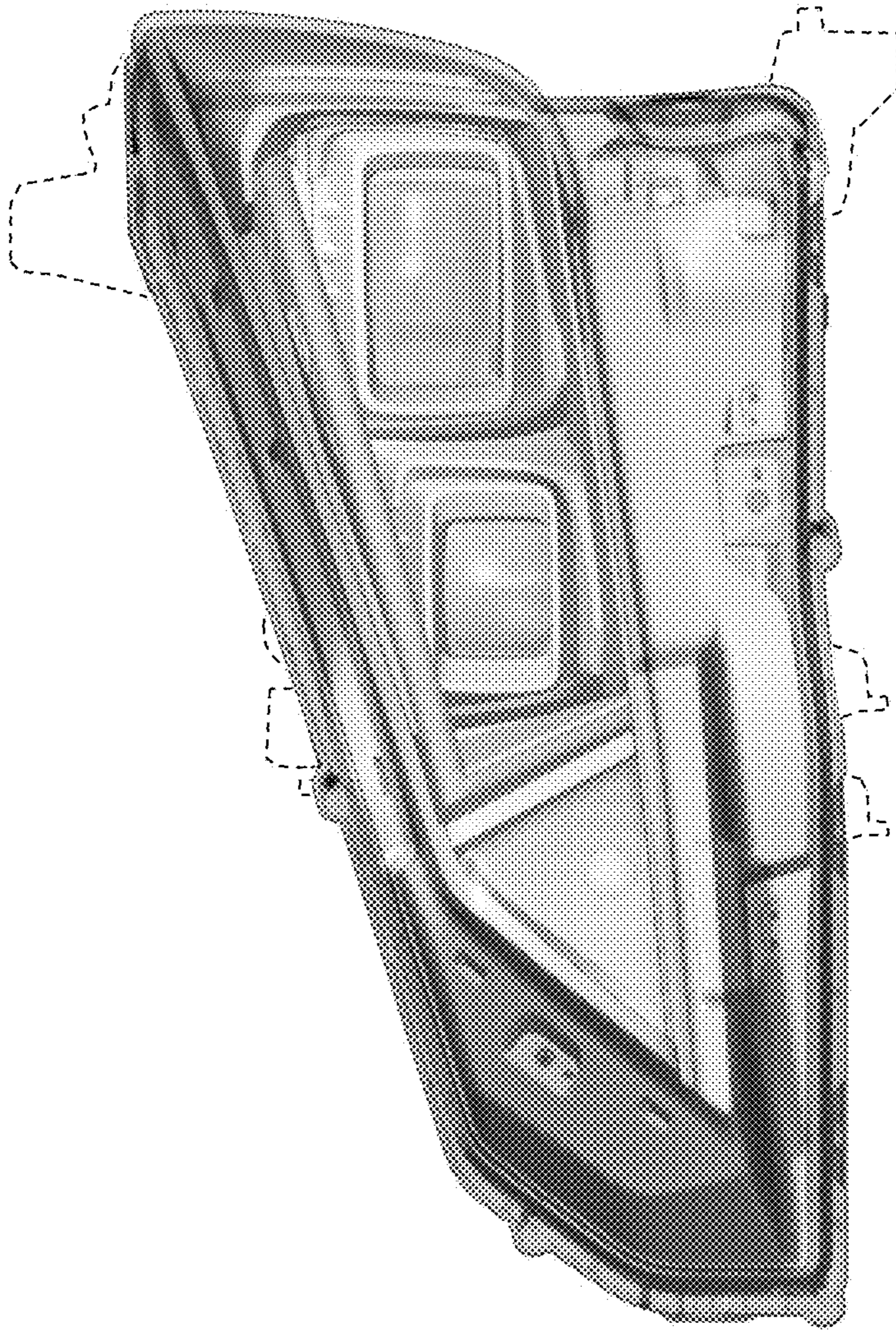


FIG. 5

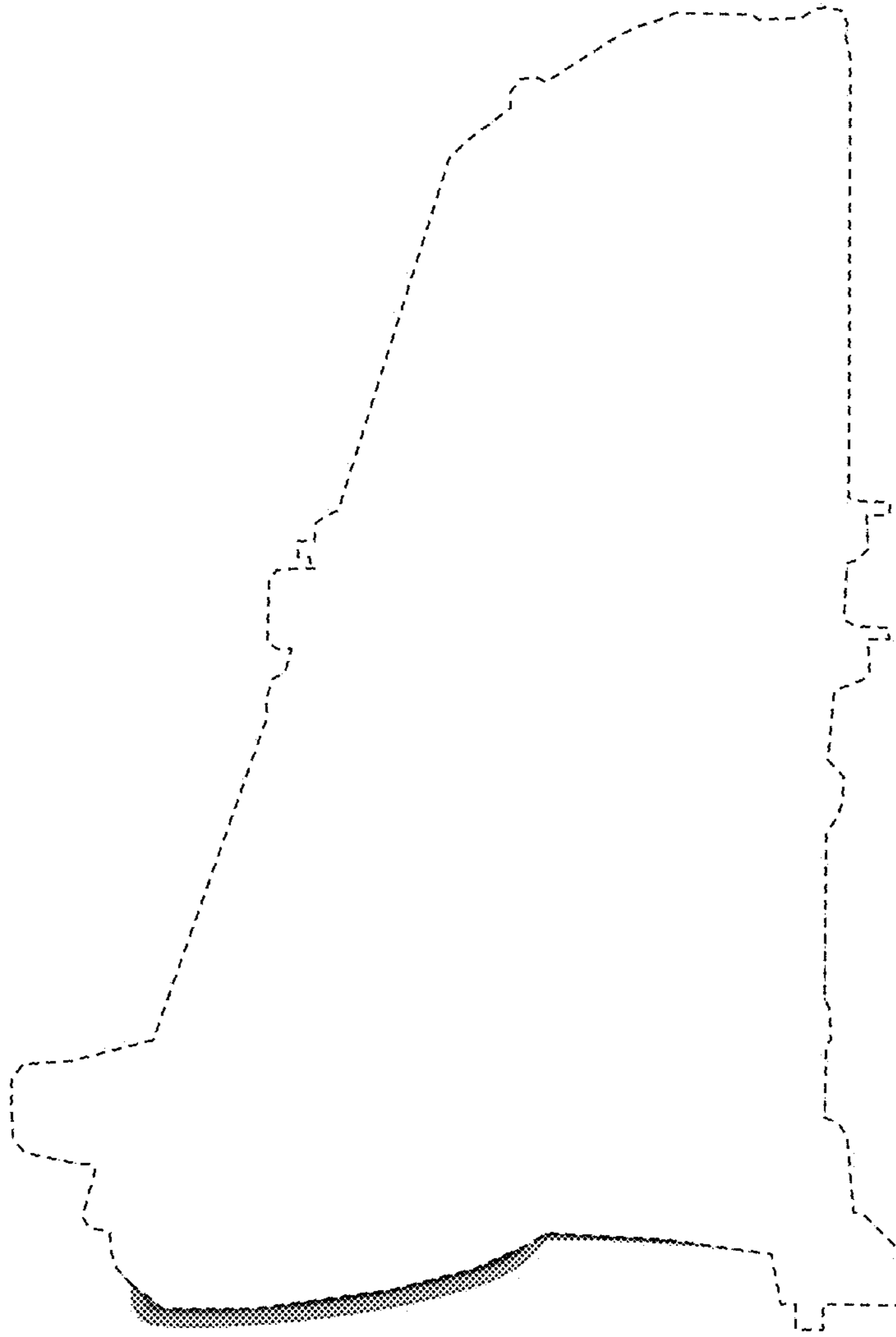


FIG. 6

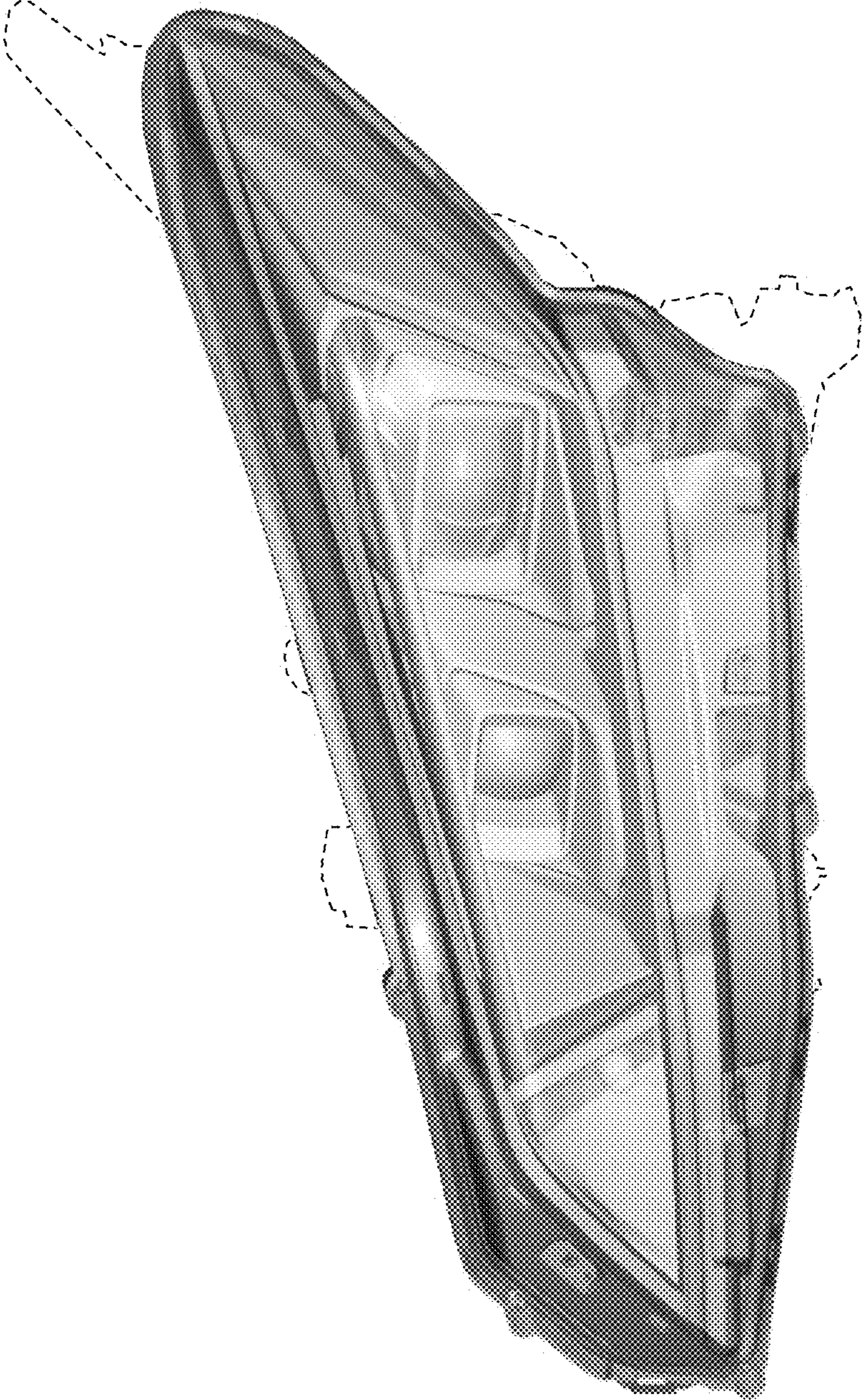


FIG. 7