



US00D833649S

(12) **United States Design Patent** (10) **Patent No.:** **US D833,649 S**
Shearer et al. (45) **Date of Patent:** **** Nov. 13, 2018**

(54) **TUBING WITH CHANNEL** 1/60; E06B 1/6092; E06B 1/62; E06B 1/70; E06B 1/702; E06B 1/705; E04F 11/18; E04F 11/1802

(71) Applicant: **Taylor Made Group, LLC**, Groversville, NY (US) See application file for complete search history.

(72) Inventors: **Robert R. Shearer**, Bradenton, FL (US); **Dennis J. Parniske**, Parrish, FL (US)

(56) **References Cited**

U.S. PATENT DOCUMENTS

(73) Assignee: **TAYLOR MADE GROUP, LLC**, Groversville, NY (US)

1,349,684 A 8/1920 McIntosh
1,350,544 A 8/1920 Brown
D275,324 S * 8/1984 Wahlin D25/38.1
5,200,240 A * 4/1993 Baker E04F 11/1853
428/34.1

(**) Term: **15 Years**

D335,353 S 5/1993 Baker
D375,573 S * 11/1996 Andres D25/122

(21) Appl. No.: **29/601,142**

(Continued)

(22) Filed: **Apr. 19, 2017**

OTHER PUBLICATIONS

Related U.S. Application Data

U.S. Office Action dated Apr. 20, 2017 issued in U.S. Appl. No. 29/560,298, 8 pp.

(62) Division of application No. 29/560,298, filed on Apr. 5, 2016, now Pat. No. Des. 799,064.

Primary Examiner — Cynthia Ramirez

(51) **LOC (11) Cl.** **25-01**

Assistant Examiner — L. Martinez-Rivera

(52) **U.S. Cl.**

(74) *Attorney, Agent, or Firm* — Nixon & Vanderhye P.C.

USPC **D25/119**

(58) **Field of Classification Search**

(57) **CLAIM**

USPC D25/35, 38.1, 41.1, 43, 44, 47.1, 48.1, D25/48.2, 48.3, 48.4, 48.7, 55, 58, 60, 61, D25/119–129, 136, 137, 164, 199; D26/138, 141, 142; D6/702, 705.6, D6/709.2, 709.21, 712, 719

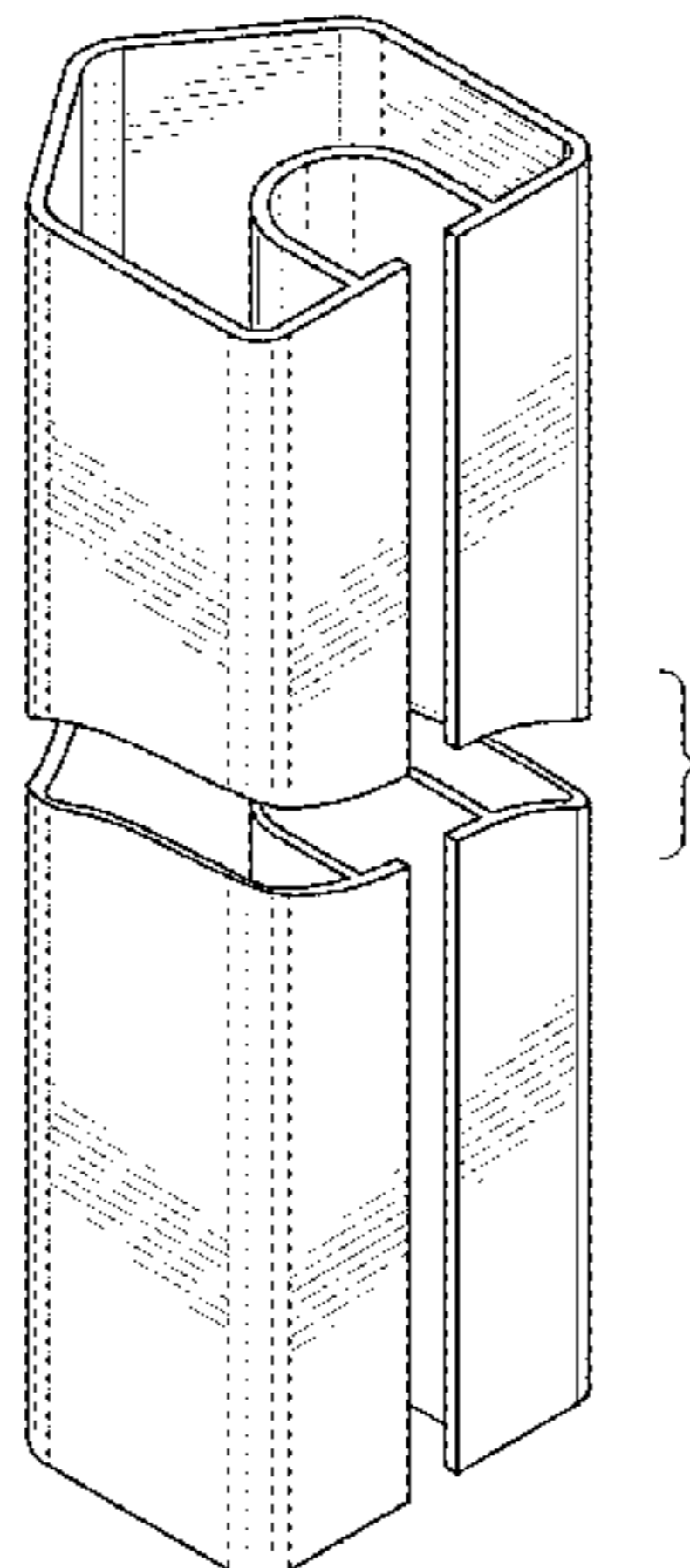
The ornamental design for a tubing with channel, as shown and described.

CPC ... E04C 3/00; E04C 3/005; E04C 3/02; E04C 3/04; E04C 3/12; E04C 3/20; E04C 3/28; E04C 3/30; E04C 2003/026; E04D 13/15; E04D 13/151; E04D 13/155; E04D 13/158; E06B 1/00; E06B 1/02; E06B 1/04; E06B 1/045; E06B 1/12; E06B 1/34; E06B 1/342; E06B 1/345; E06B 1/347; E06B 1/36; E06B 1/363; E06B 1/366; E06B 1/38; E06B 1/40; E06B 1/52; E06B 1/522; E06B 1/524; E06B 1/526; E06B 1/528; E06B 1/56; E06B

DESCRIPTION

FIG. 1 is a perspective view of a tubing member according to another embodiment of the invention;
FIG. 2 is a front view thereof;
FIG. 3 is a rear view thereof;
FIG. 4 is a top plan view thereof, the end view being identical; and,
FIG. 5 is a side elevation view thereof, the opposite side elevation view being a mirror image thereof.

(Continued)



The tubing is shown with a symbolic break in its length, represented by break lines. The appearance of any portion of the article between the break lines forms no part of the claimed design.

1 Claim, 3 Drawing Sheets

(56)

References Cited

U.S. PATENT DOCUMENTS

| | | | | |
|--------------|------|---------|------------------|------------------------|
| 5,839,388 | A * | 11/1998 | Vadney | B63B 17/02 114/361 |
| D412,584 | S | 8/1999 | Shrira | |
| 6,026,761 | A | 2/2000 | Parniske et al. | |
| D509,906 | S * | 9/2005 | Enersen | D25/38.1 |
| D515,266 | S | 2/2006 | Moe | |
| D551,774 | S | 9/2007 | McGinness | |
| D551,775 | S * | 9/2007 | McGinness | D25/135 |
| D552,760 | S * | 10/2007 | Seiling | D25/122 |
| D562,992 | S * | 2/2008 | Szczekocki | D25/121 |
| D613,421 | S | 4/2010 | Wang | |
| D620,127 | S | 7/2010 | Mawby | |
| D622,415 | S | 8/2010 | Baccarini | |
| D645,161 | S | 9/2011 | Loken | |
| D661,813 | S | 6/2012 | Walker | |
| D693,945 | S * | 11/2013 | Cordovana | D25/38.1 |
| D720,477 | S | 12/2014 | Ross | |
| D799,064 | S * | 10/2017 | Shearer | D25/119 |
| D806,267 | S * | 12/2017 | Madden | D25/41.1 |
| 2005/0051761 | A1 * | 3/2005 | Caissie | E04F 11/1834 256/59 |

* cited by examiner

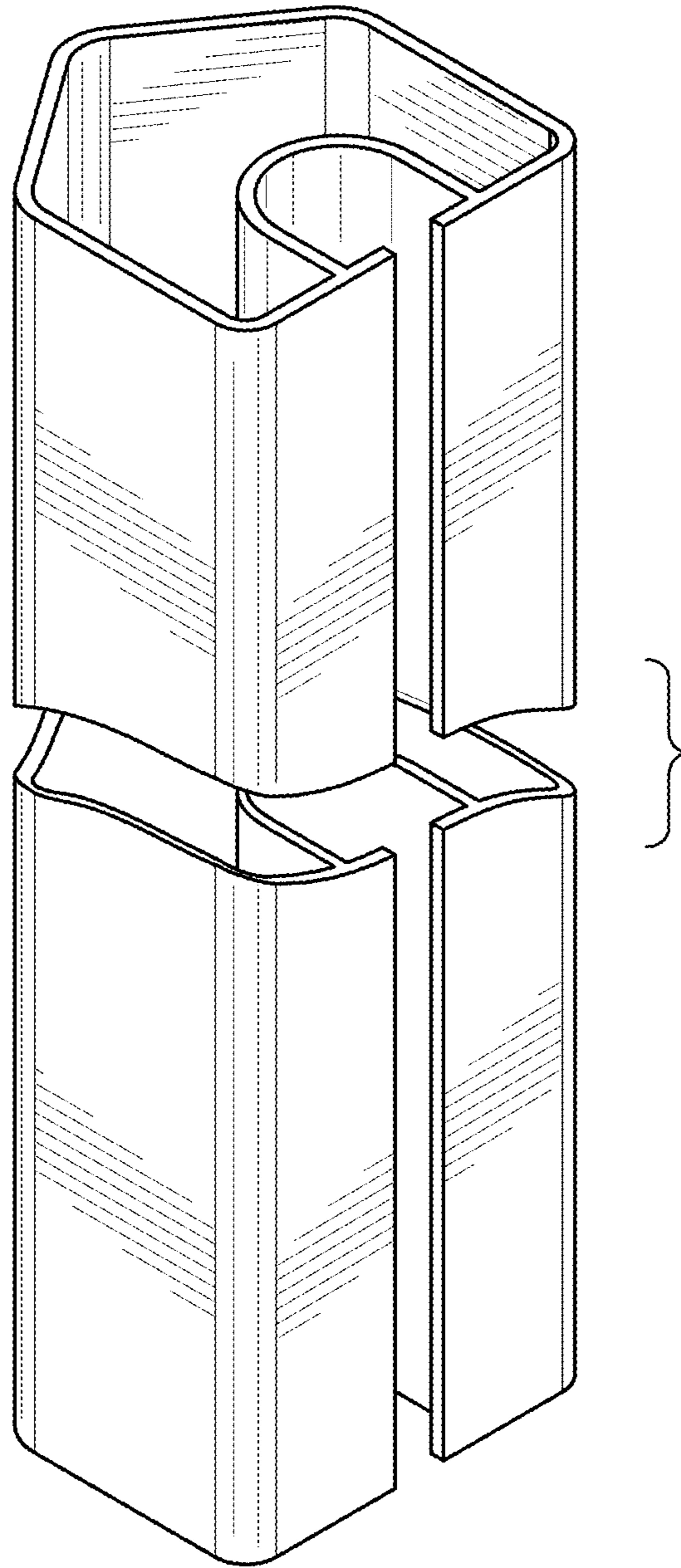


FIG. 1

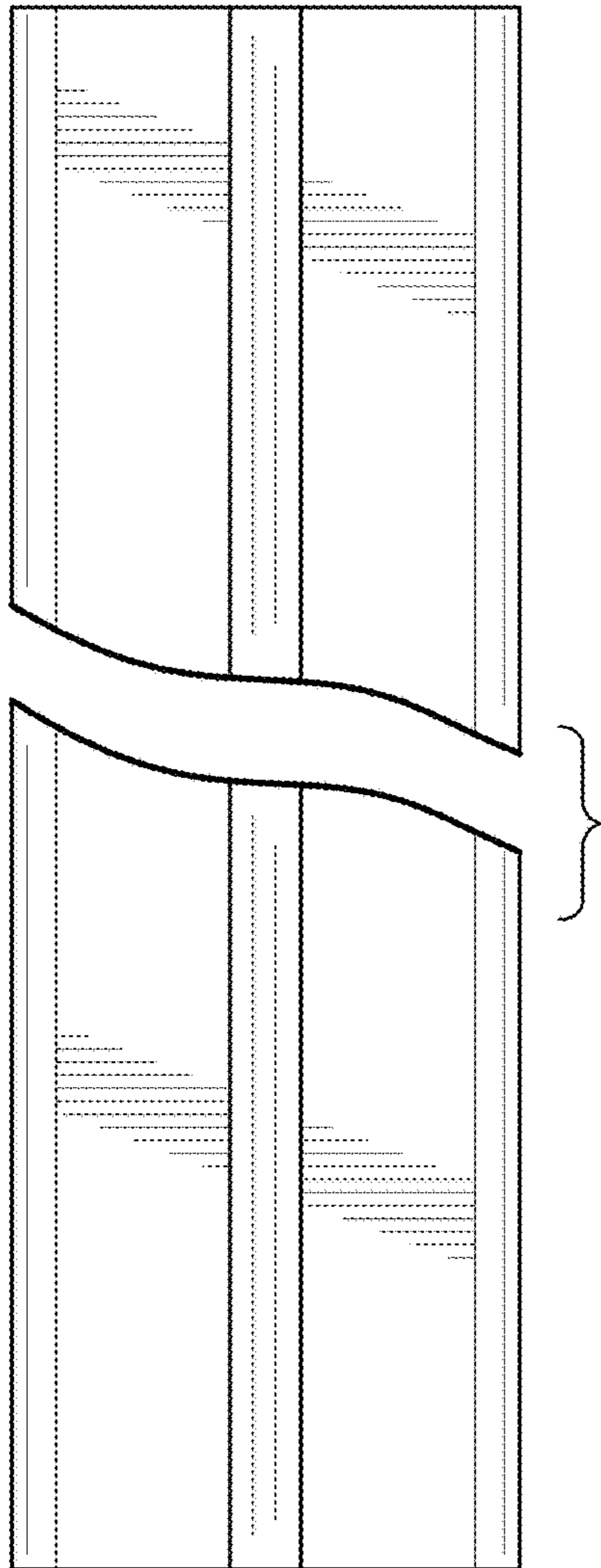


FIG. 2

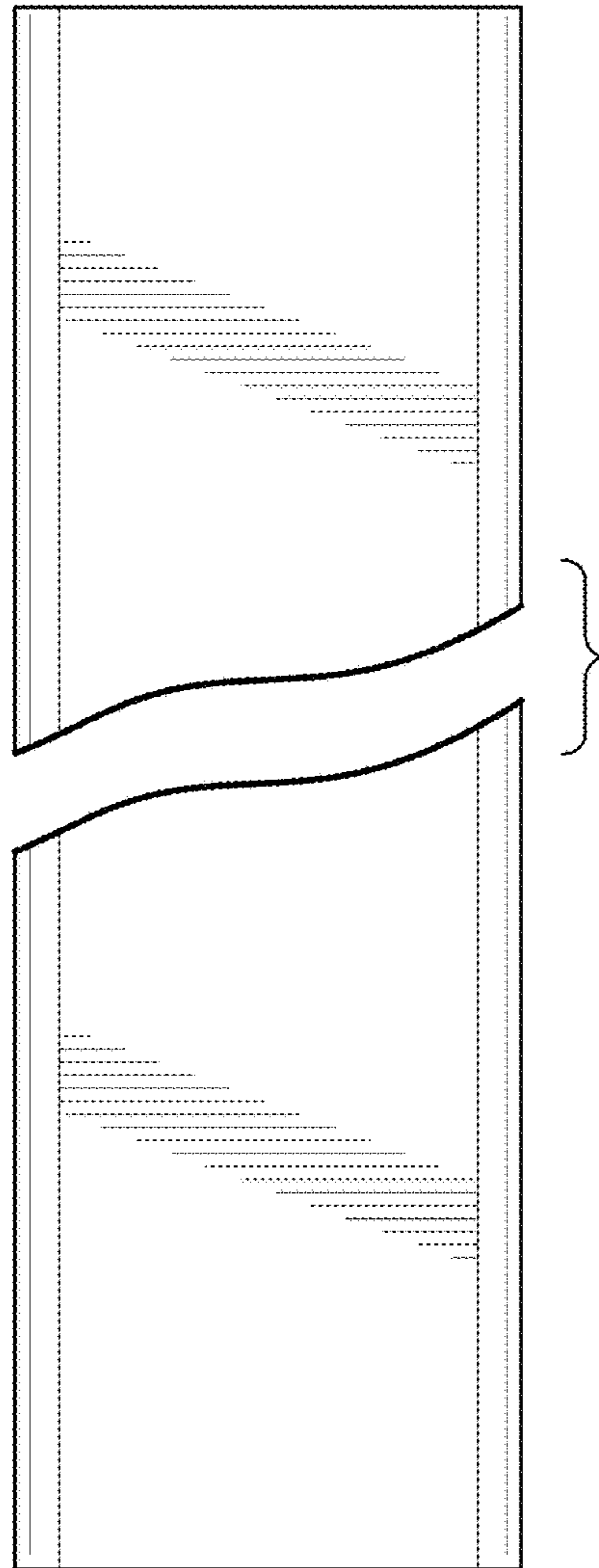


FIG. 3

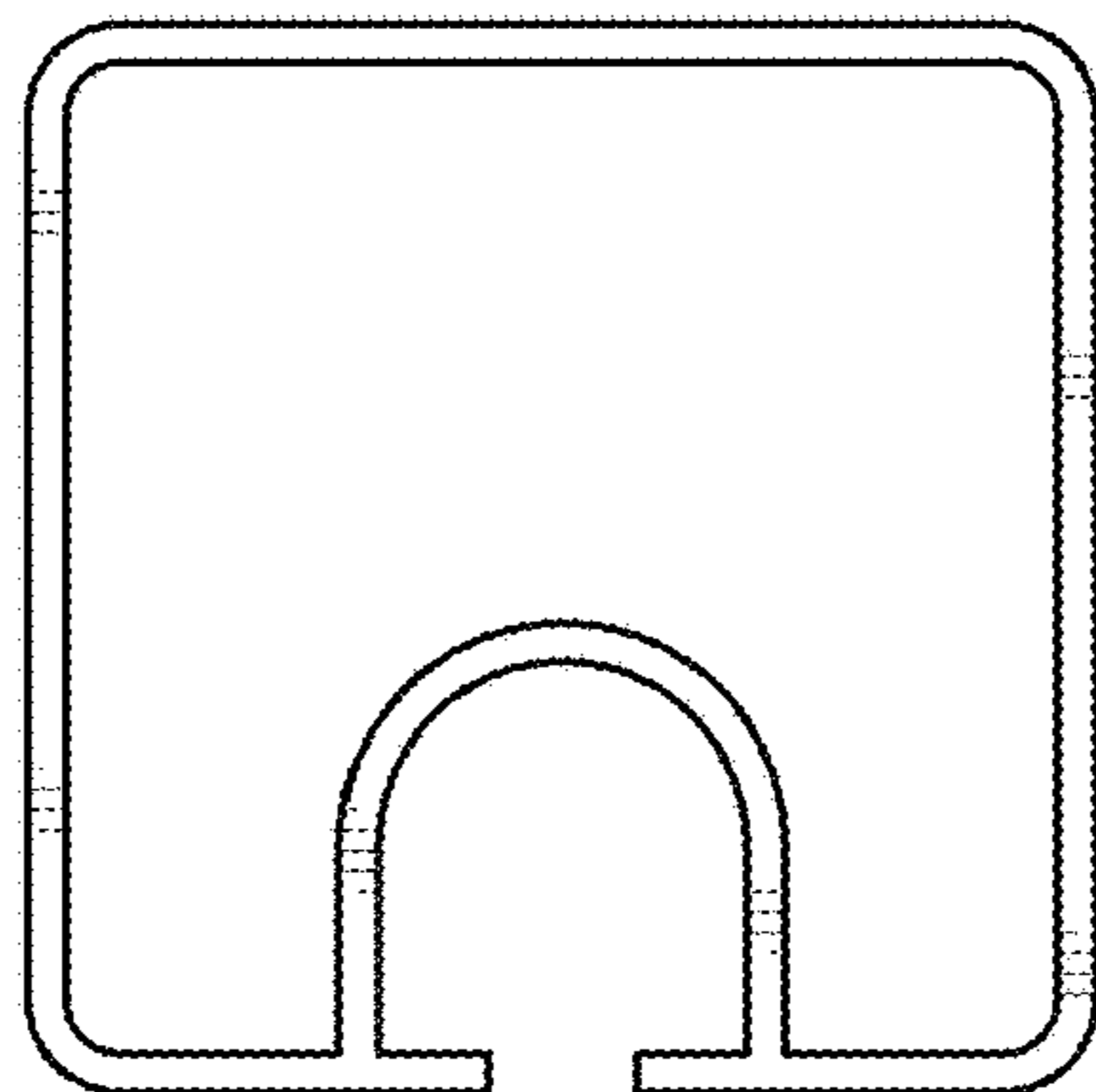


FIG. 4

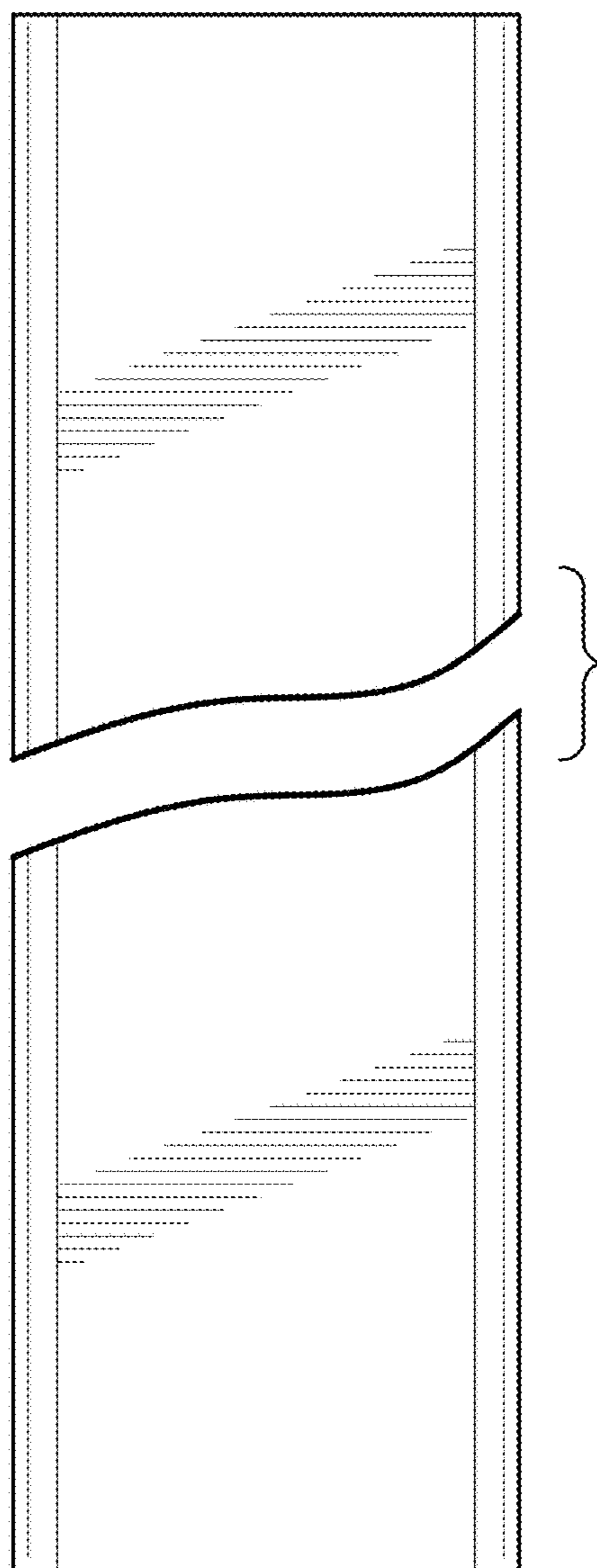


FIG. 5