



US00D833648S

(12) **United States Design Patent** (10) **Patent No.:** **US D833,648 S**
Shearer et al. (45) **Date of Patent:** **** Nov. 13, 2018**

(54) **TUBING WITH CHANNEL**

(56) **References Cited**

(71) Applicant: **Taylor Made Group, LLC**,
Gloversville, NY (US)

U.S. PATENT DOCUMENTS

(72) Inventors: **Robert R. Shearer**, Bradenton, FL
(US); **Dennis J. Parniske**, Parrish, FL
(US)

1,349,684 A 8/1920 McIntosh
1,350,544 A 8/1920 Brown

(Continued)

(73) Assignee: **TAYLOR MADE GROUP, LLC**,
Gloversville, NY (US)

OTHER PUBLICATIONS

(**) Term: **15 Years**

U.S. Office Action dated Apr. 20, 2017 issued in U.S. Appl. No.
29/560,298, 8 pp.

(21) Appl. No.: **29/601,132**

Primary Examiner — Cynthia Ramirez

Assistant Examiner — L. Martinez-Rivera

(22) Filed: **Apr. 19, 2017**

(74) *Attorney, Agent, or Firm* — Nixon & Vanderhye P.C.

(57) **CLAIM**

The ornamental design for a tubing with channel, as shown
and described.

Related U.S. Application Data

DESCRIPTION

(62) Division of application No. 29/560,298, filed on Apr.
5, 2016, now Pat. No. Des. 799,064.

(51) **LOC (11) Cl.** **25-01**

(52) **U.S. Cl.**
USPC **D25/119**

(58) **Field of Classification Search**

USPC D25/35, 38.1, 41.1, 43, 44, 47.1, 48.2,
D25/48.3, 48.4, 48.7, 55, 58, 60, 61,
D25/119-129, 136, 137, 164, 199;
D26/138, 141, 142; D6/702, 705.6,
D6/709.2, 709.21, 712, 719

CPC ... E04C 3/00; E04C 3/005; E04C 3/02; E04C
3/04; E04C 3/12; E04C 3/20; E04C 3/28;
E04C 3/30; E04C 2003/026; E04D 13/15;
E04D 13/151; E04D 13/155; E04D
13/158; E06B 1/00; E06B 1/02; E06B
1/04; E06B 1/045; E06B 1/12; E06B
1/34; E06B 1/342; E06B 1/345; E06B
1/347; E06B 1/36; E06B 1/363; E06B
1/366; E06B 1/38; E06B 1/40; E06B
1/52; E06B 1/522; E06B 1/524; E06B
1/526; E06B 1/528; E06B 1/56;

(Continued)

FIG. 1 is a perspective view of a tubing member according
to an embodiment of the invention;

FIG. 2 is a front view thereof;

FIG. 3 is a rear view thereof;

FIG. 4 is a top plan view thereof, the end view being
identical;

FIG. 5 is a side elevation view thereof, the other opposite
side elevation view being a mirror image thereof;

FIG. 6 is a perspective view of a tubing member according
to another embodiment of the invention;

FIG. 7 is a front view thereof;

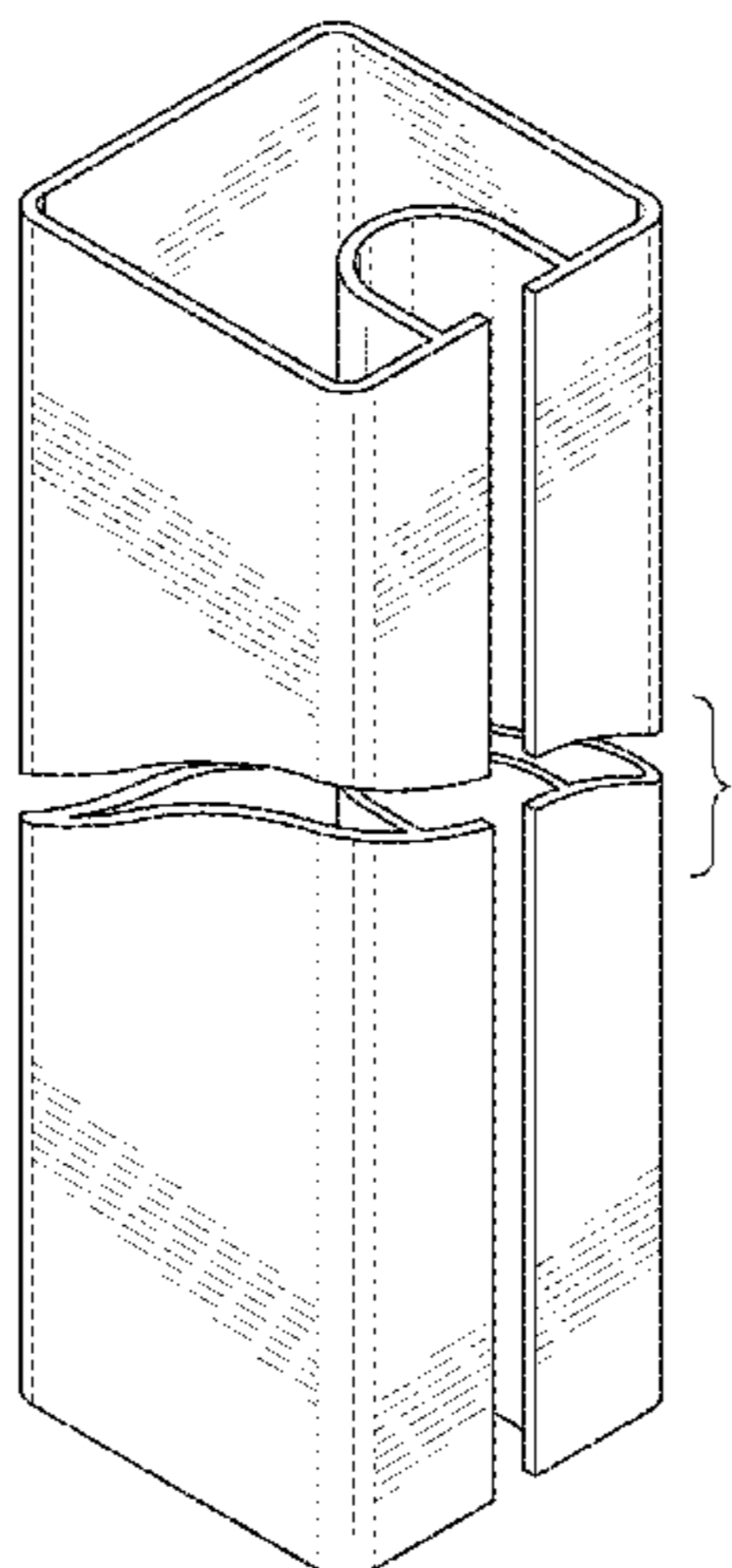
FIG. 8 is a rear view thereof;

FIG. 9 is a top plan view thereof, the end view being
identical; and,

FIG. 10 is a side view thereof, the other side being a mirror
image.

The tubing with channel is shown with a symbolic break in
its length, represented by break lines. The appearance of any
portion of the article between the break lines forms no part
of the claimed design.

1 Claim, 6 Drawing Sheets



US D833,648 S

Page 2

(58) **Field of Classification Search**

CPC . E06B 1/60; E06B 1/6092; E06B 1/62; E06B
1/70; E06B 1/702; E06B 1/705; E04F
11/18; E04F 11/1802

See application file for complete search history.

(56)

References Cited

U.S. PATENT DOCUMENTS

D275,324 S * 8/1984 Wahlin D25/38.1
5,200,240 A * 4/1993 Baker E04F 11/1853
428/34.1
D335,353 S 5/1993 Baker
D375,573 S * 11/1996 Andres D25/122
5,839,388 A * 11/1998 Vadney B63B 17/02
114/361
D412,584 S 8/1999 Shrira

6,026,761 A 2/2000 Parniske et al.
D509,906 S * 9/2005 Enersen D25/38.1
D515,266 S 2/2006 Moe
D551,774 S 9/2007 McGinness
D551,775 S * 9/2007 McGinness D25/135
D552,760 S * 10/2007 Seiling D25/122
D562,992 S * 2/2008 Szczekocki D25/121
D613,421 S 4/2010 Wang
D620,127 S 7/2010 Mawby
D622,415 S 8/2010 Baccharini
D645,161 S 9/2011 Loken
D661,813 S 6/2012 Walker
D693,945 S * 11/2013 Cordovana D25/38.1
D720,477 S 12/2014 Ross
D799,064 S * 10/2017 Shearer D25/119
D806,267 S * 12/2017 Madden D25/41.1
2005/0051761 A1 * 3/2005 Caissie E04F 11/1834
256/59

* cited by examiner

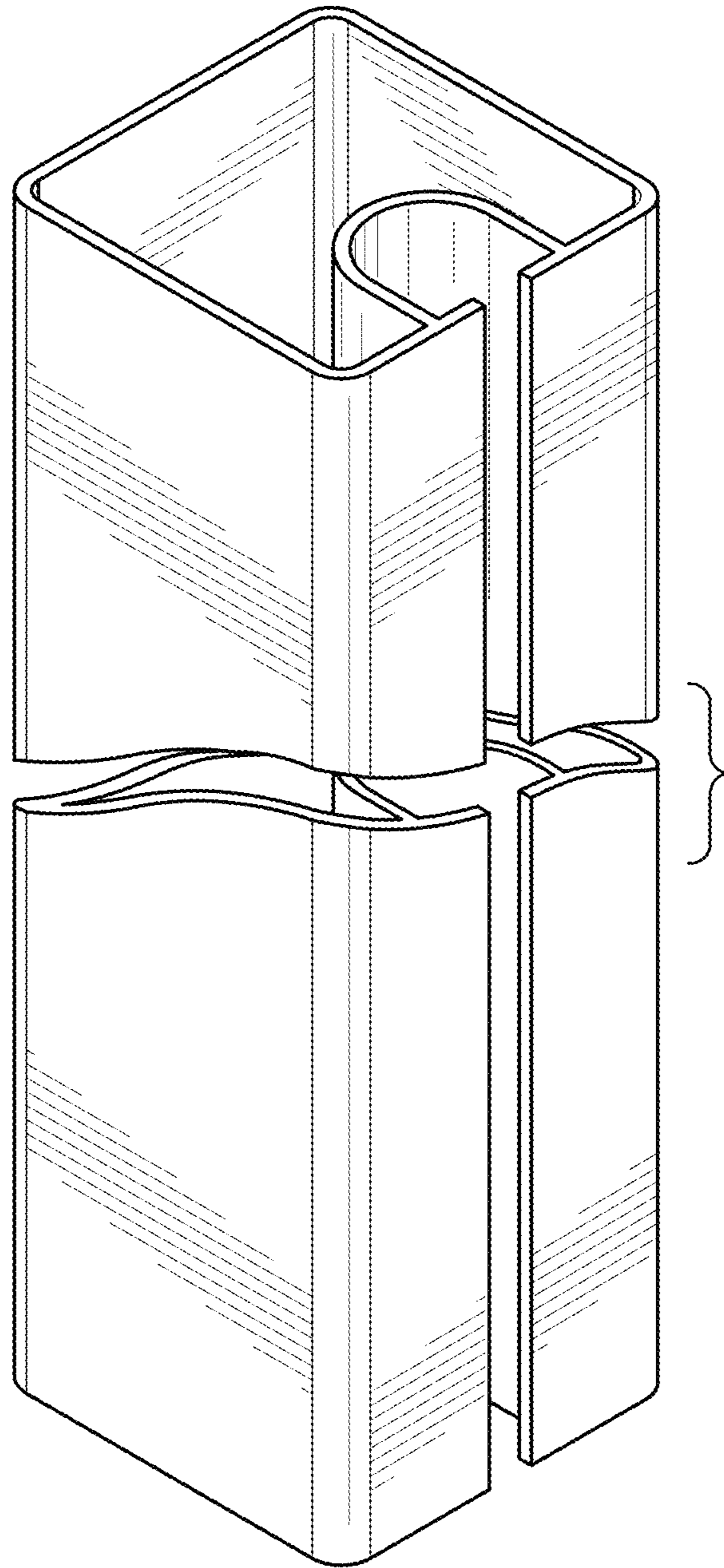


FIG. 1

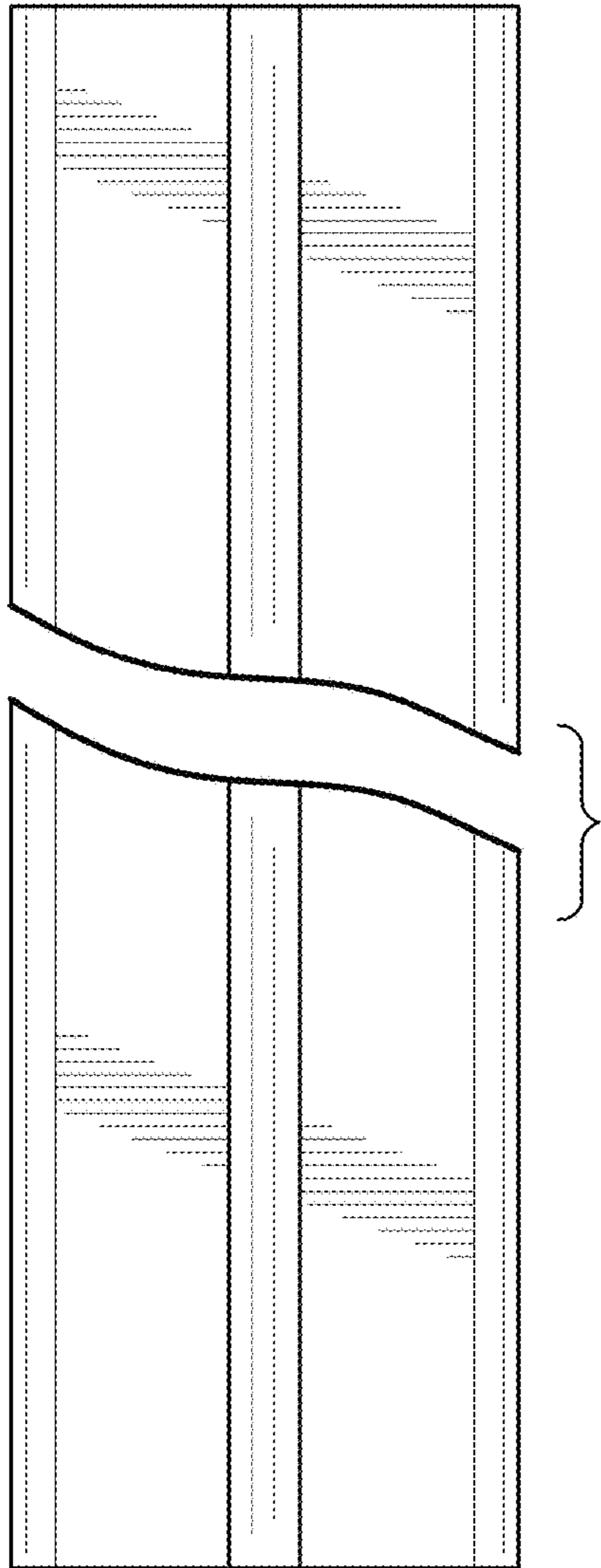


FIG. 2

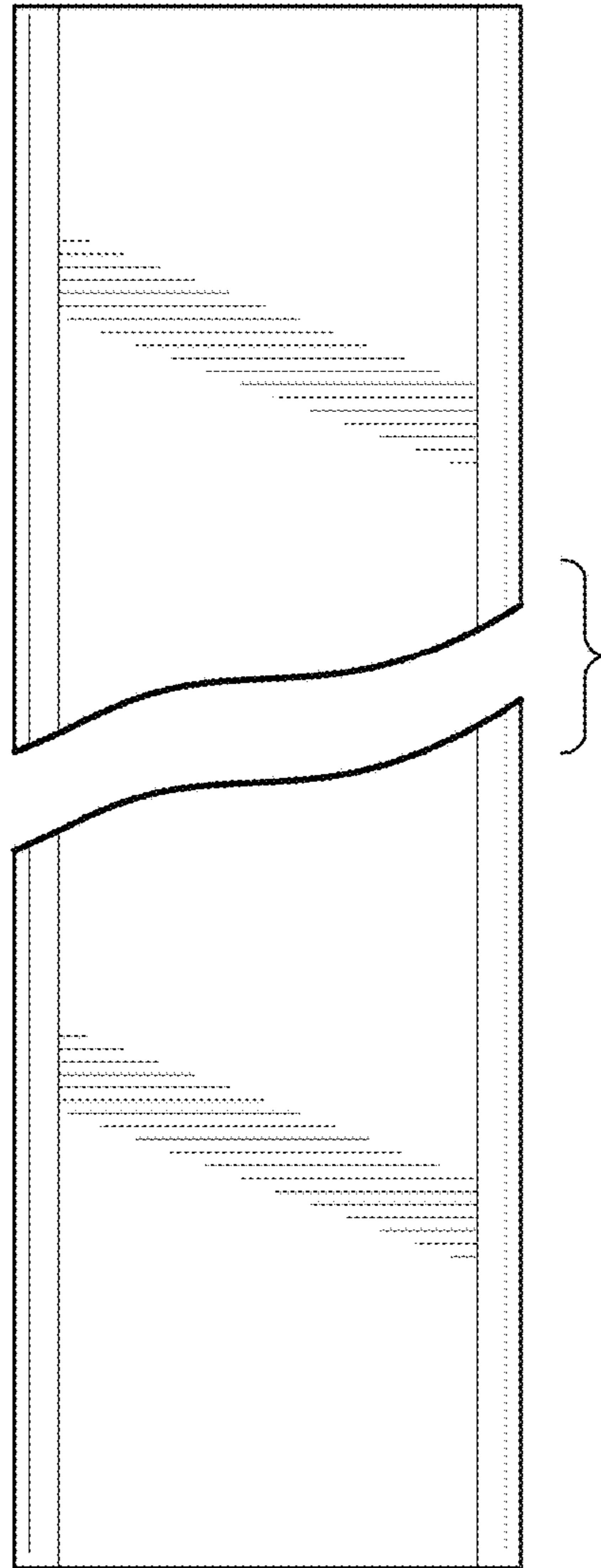


FIG. 3

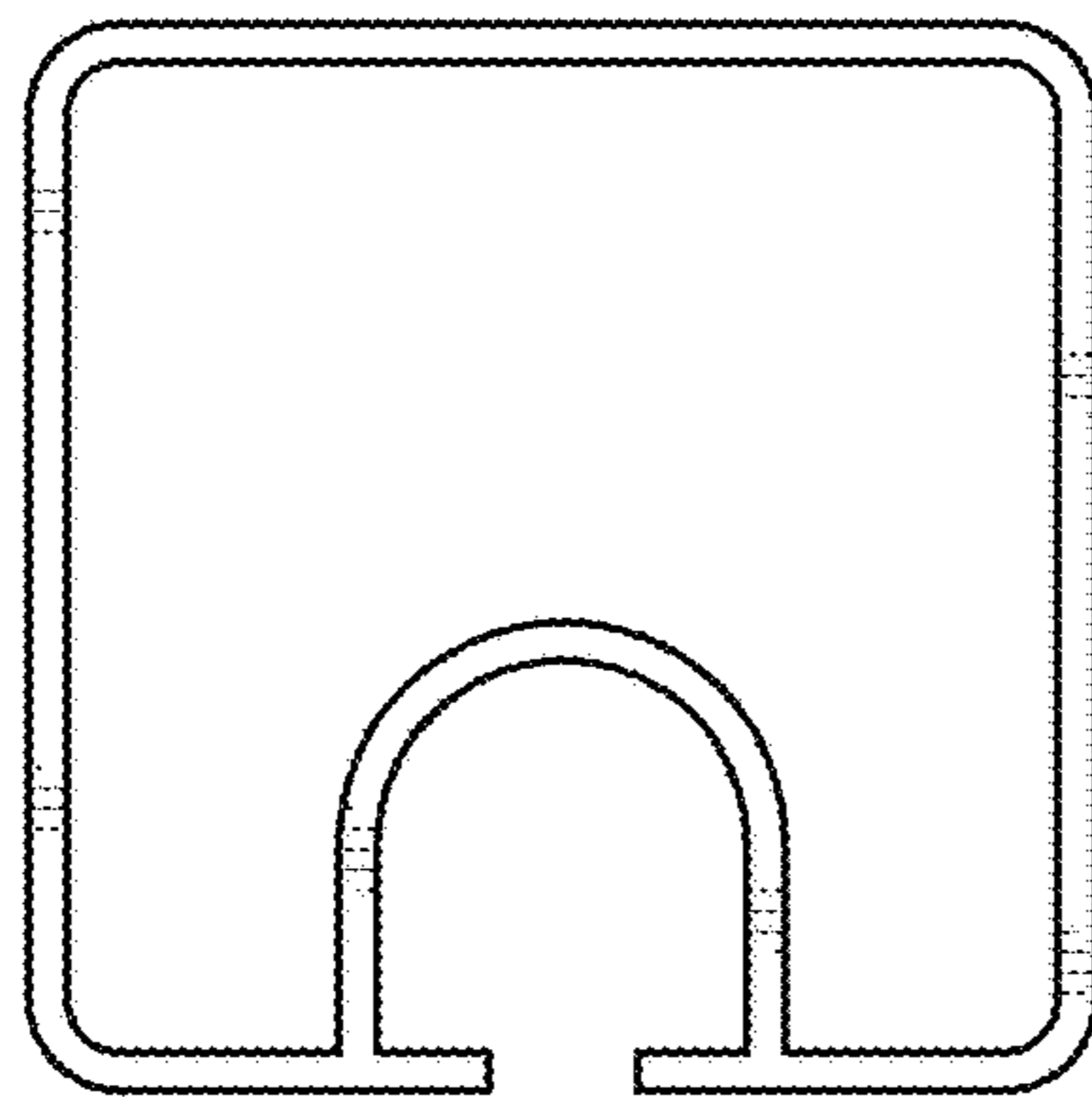


FIG. 4

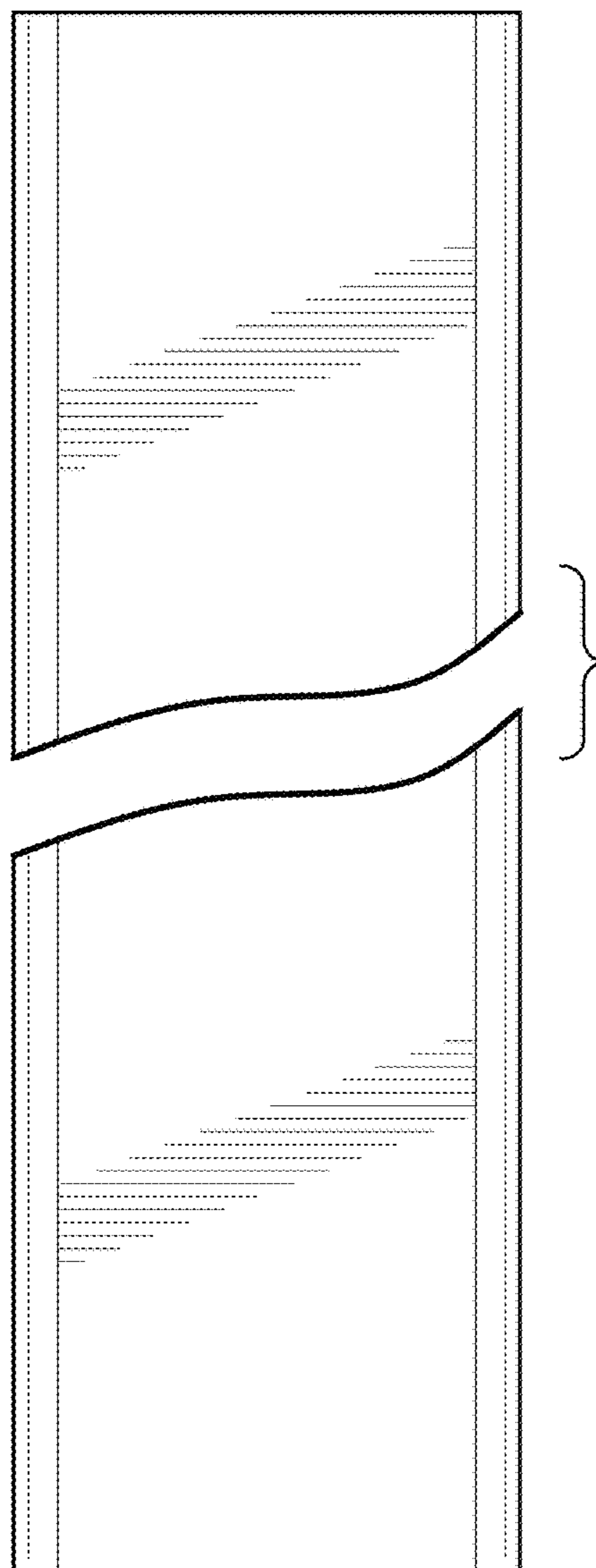


FIG. 5

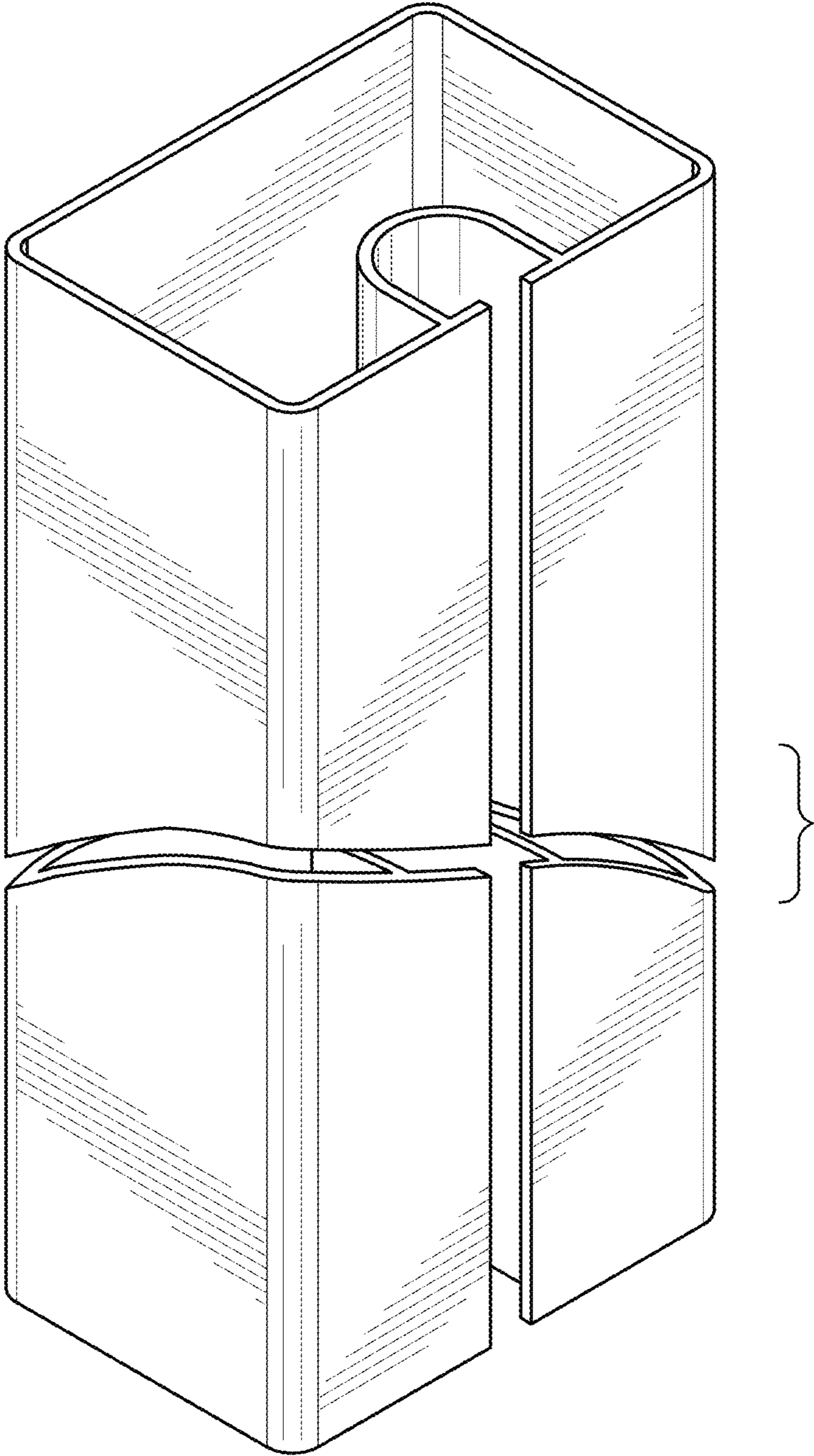


FIG. 6

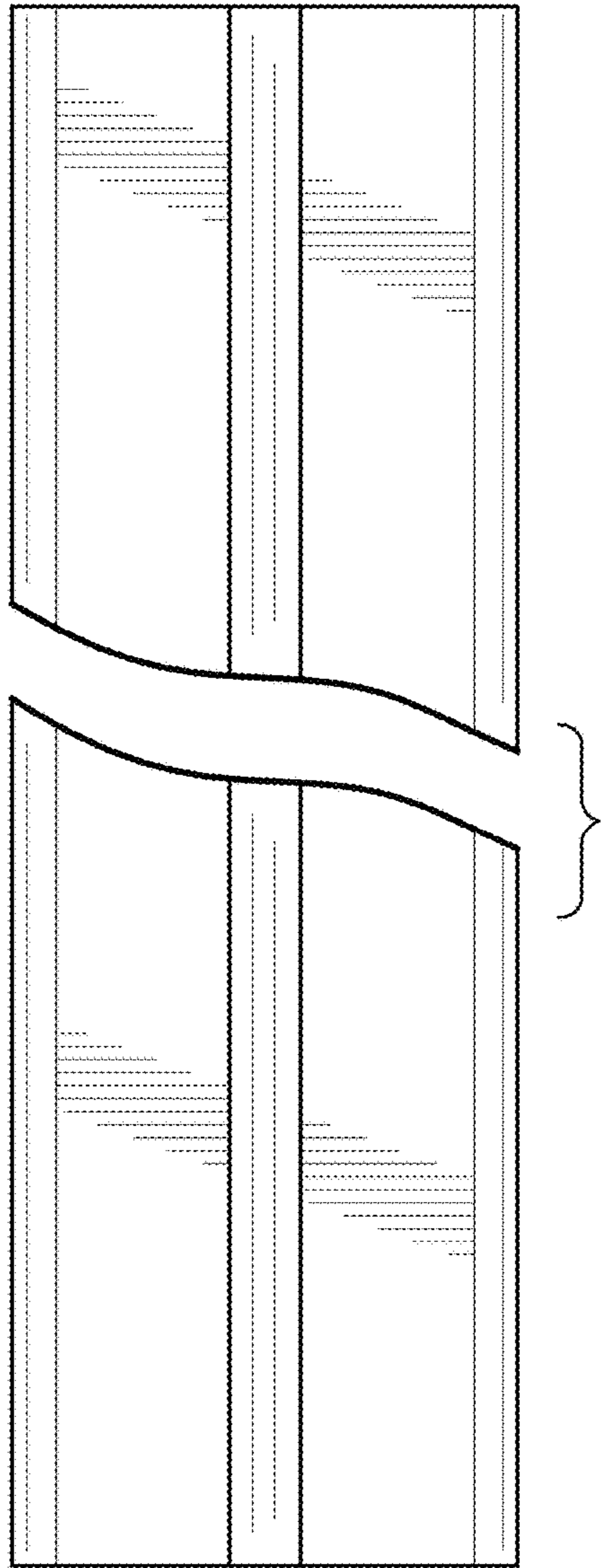


FIG. 7

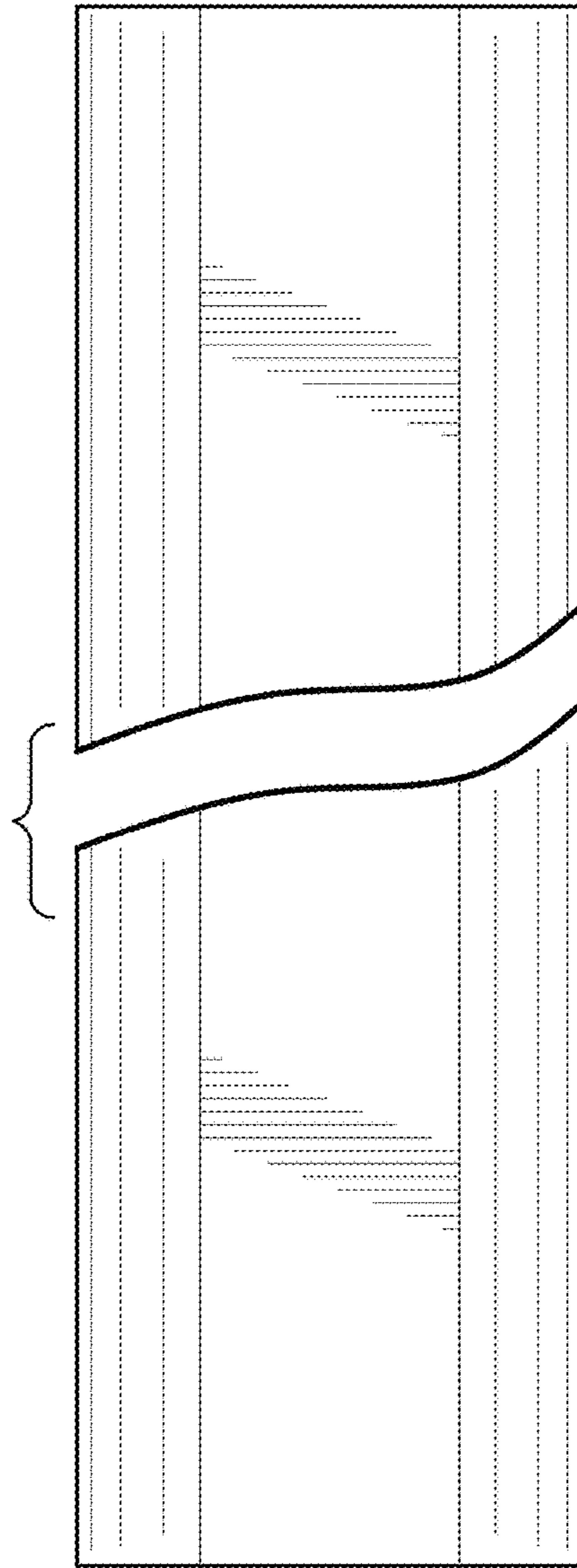


FIG. 8

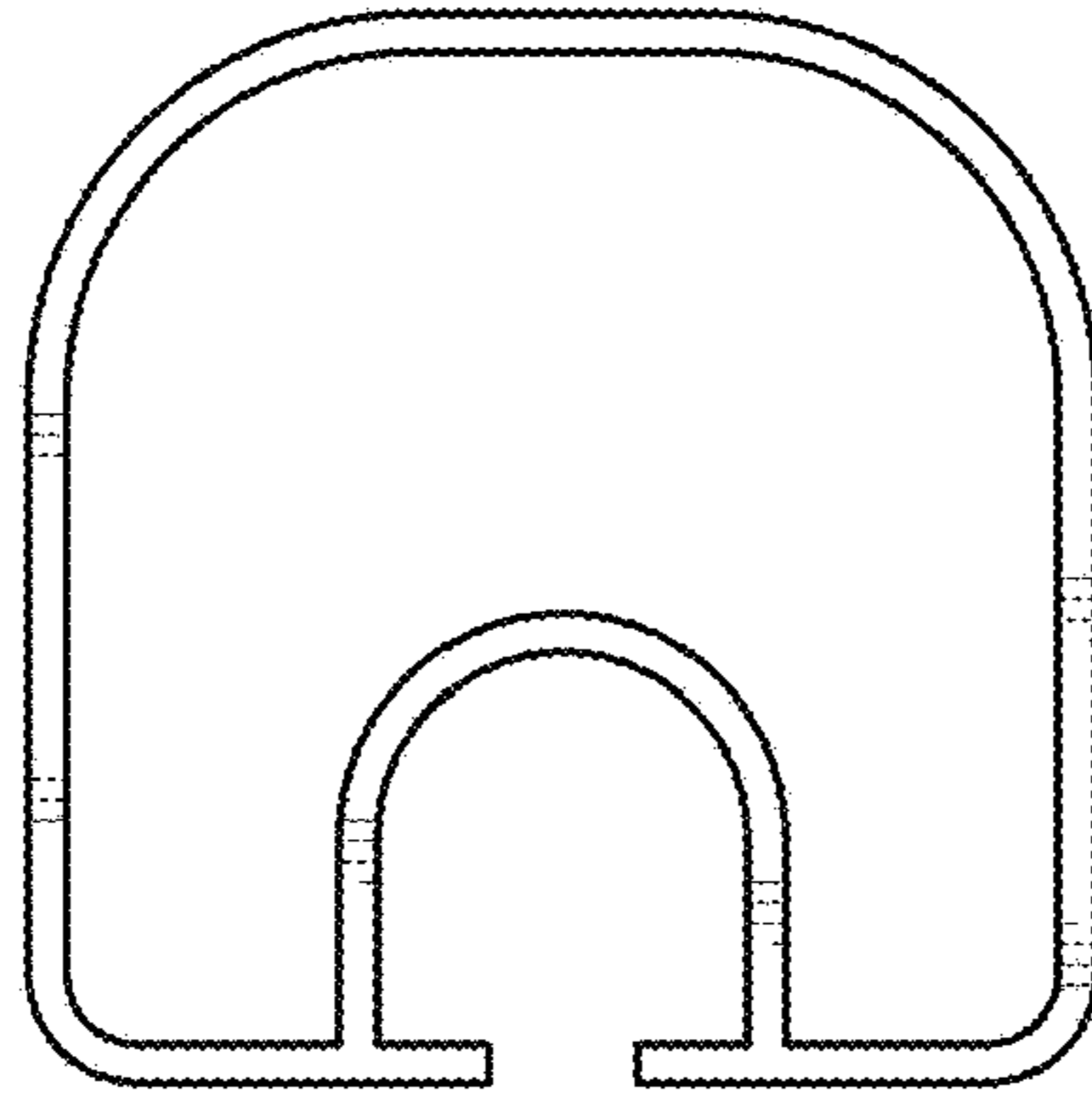


FIG. 9

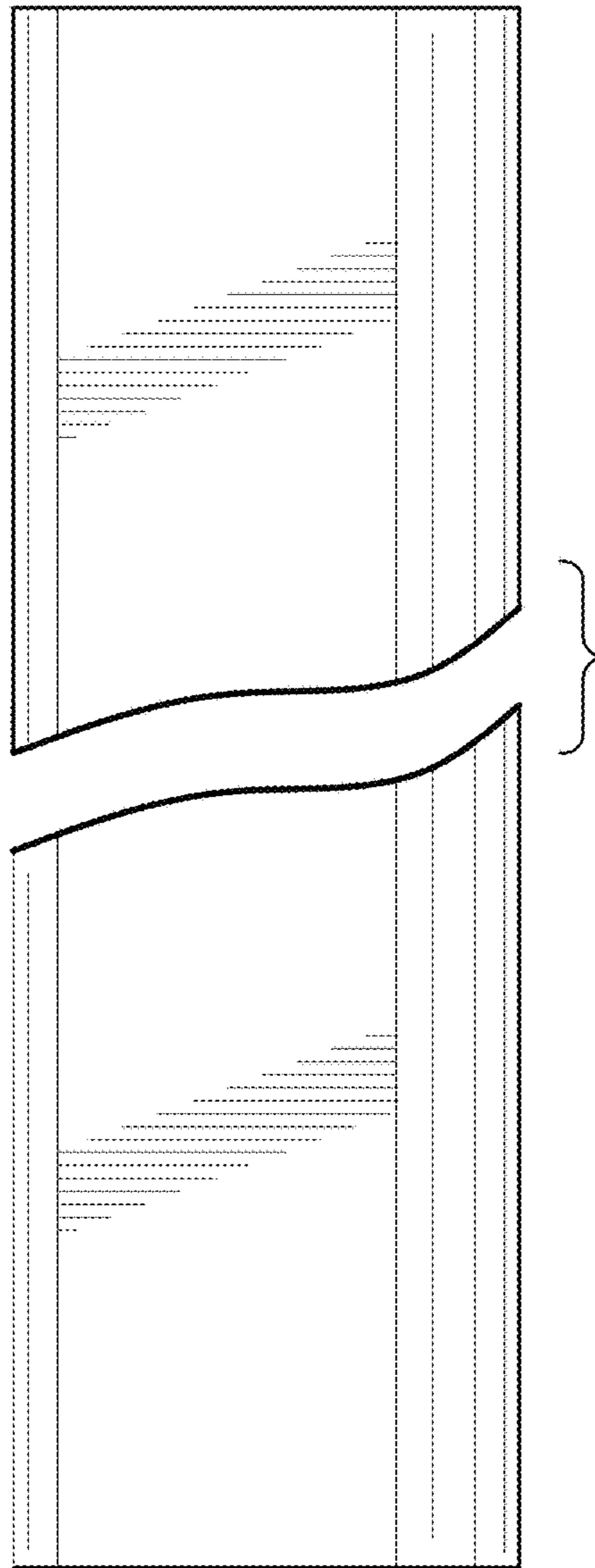


FIG. 10