



US00D833644S

(12) **United States Design Patent**
Mohamed

(10) **Patent No.:** **US D833,644 S**

(45) **Date of Patent:** **** Nov. 13, 2018**

- (54) **CONSTRUCTION BLOCK**
- (71) Applicant: **Gouda-Torgerson Building Systems LLC**, West Point, CA (US)
- (72) Inventor: **Hazem Hosny Gouda Mohamed**, New Bani Sweif (EG)
- (73) Assignee: **GOUDA-TORGERSON BUILDING SYSTEMS LLC**, West Point, CA (US)

7,823,360 B1 * 11/2010 Cottle E04B 2/42
52/604
8,678,704 B1 * 3/2014 Smith E02B 3/14
405/16
D745,980 S * 12/2015 Kobelev E04C 3/00
D25/113
D772,431 S * 11/2016 Norton D25/113
2014/0119831 A1 * 5/2014 Hill E02B 3/14
405/16

(**) Term: **15 Years**

(21) Appl. No.: **29/592,901**

(22) Filed: **Feb. 3, 2017**

(51) **LOC (11) Cl.** **25-01**

(52) **U.S. Cl.**
USPC **D25/113**

(58) **Field of Classification Search**
USPC D25/112-118
CPC E04B 2/18; E04B 2/22; E04B 2/24; E04B 2/42; B28B 1/14; B28B 7/0079; E04C 1/39; E04C 1/395; E04C 1/397; E04C 3/00; E04C 3/04; E04C 3/12; E04C 3/28; E04C 3/30

See application file for complete search history.

(56) **References Cited**

U.S. PATENT DOCUMENTS

- 1,356,590 A * 10/1920 Baumann E04B 2/22
52/284
- 4,148,166 A * 4/1979 Toone E04B 2/44
52/270
- D313,857 S * 1/1991 Gabriel D25/113
- 6,508,041 B1 * 1/2003 Boot E04B 2/18
52/578
- D540,475 S * 4/2007 Price D25/113
- D540,476 S * 4/2007 Price D25/113

* cited by examiner

Primary Examiner — Susan Bennett Hattan
Assistant Examiner — Leanne Was-Englehart
(74) *Attorney, Agent, or Firm* — LeClairRyan

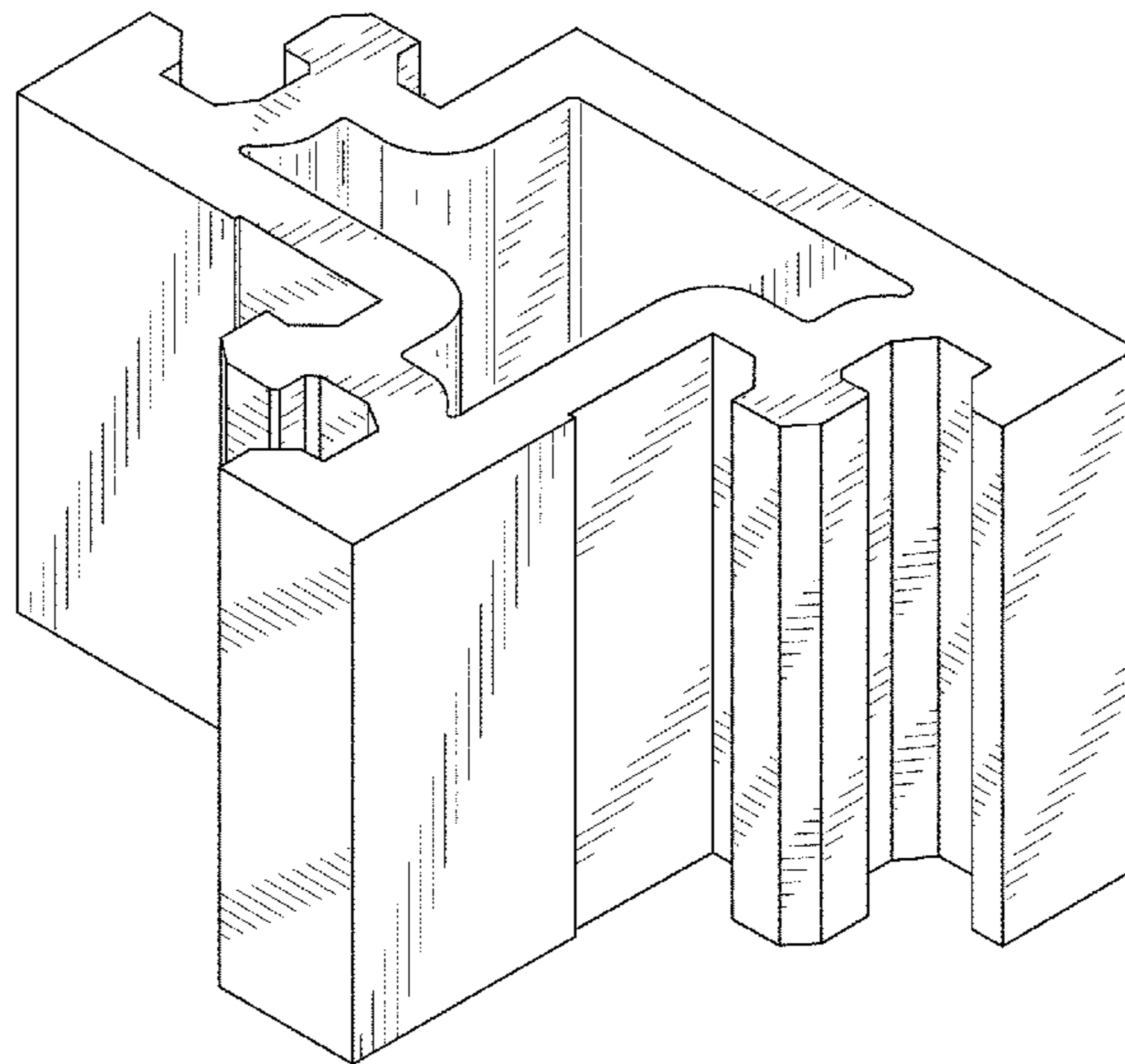
(57) **CLAIM**

The ornamental design for a construction block, as shown and described.

DESCRIPTION

FIG. 1 is a perspective view from the lower right side of the construction block in accordance with my design;
 FIG. 2 is a perspective view from the upper left side of the construction block in accordance with my design;
 FIG. 3 is a perspective view from the right side of the construction block in accordance with my design;
 FIG. 4 is a top view of the construction block in accordance with my design;
 FIG. 5 is a bottom view of the construction block in accordance with my design;
 FIG. 6 is a front view of the construction block in accordance with my design;
 FIG. 7 is a back view of the construction block in accordance with my design;
 FIG. 8 is a right side view of the construction block in accordance with my design; and,
 FIG. 9 is a left side view of the construction block in accordance with my design.

1 Claim, 6 Drawing Sheets



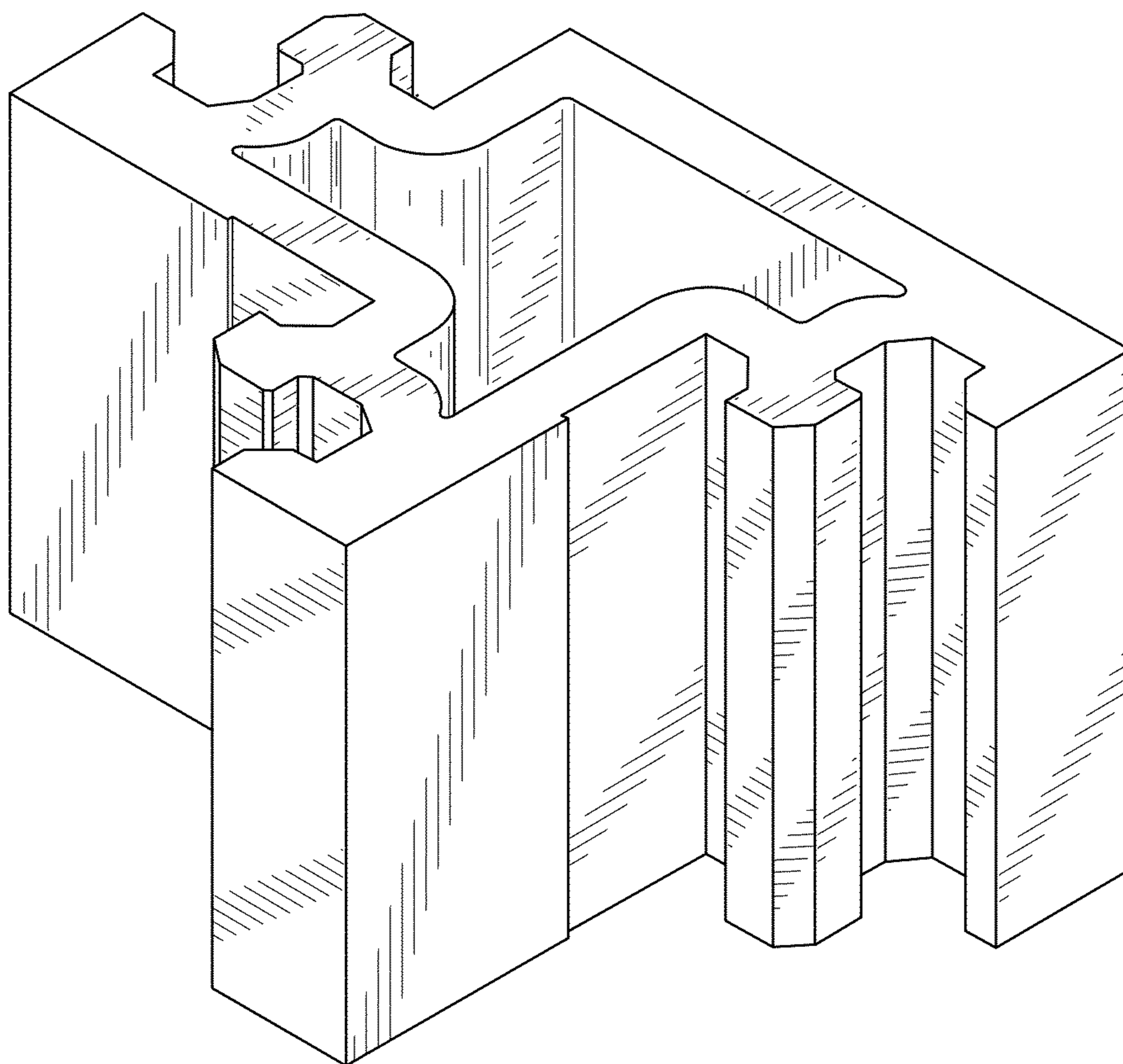


FIG. 1

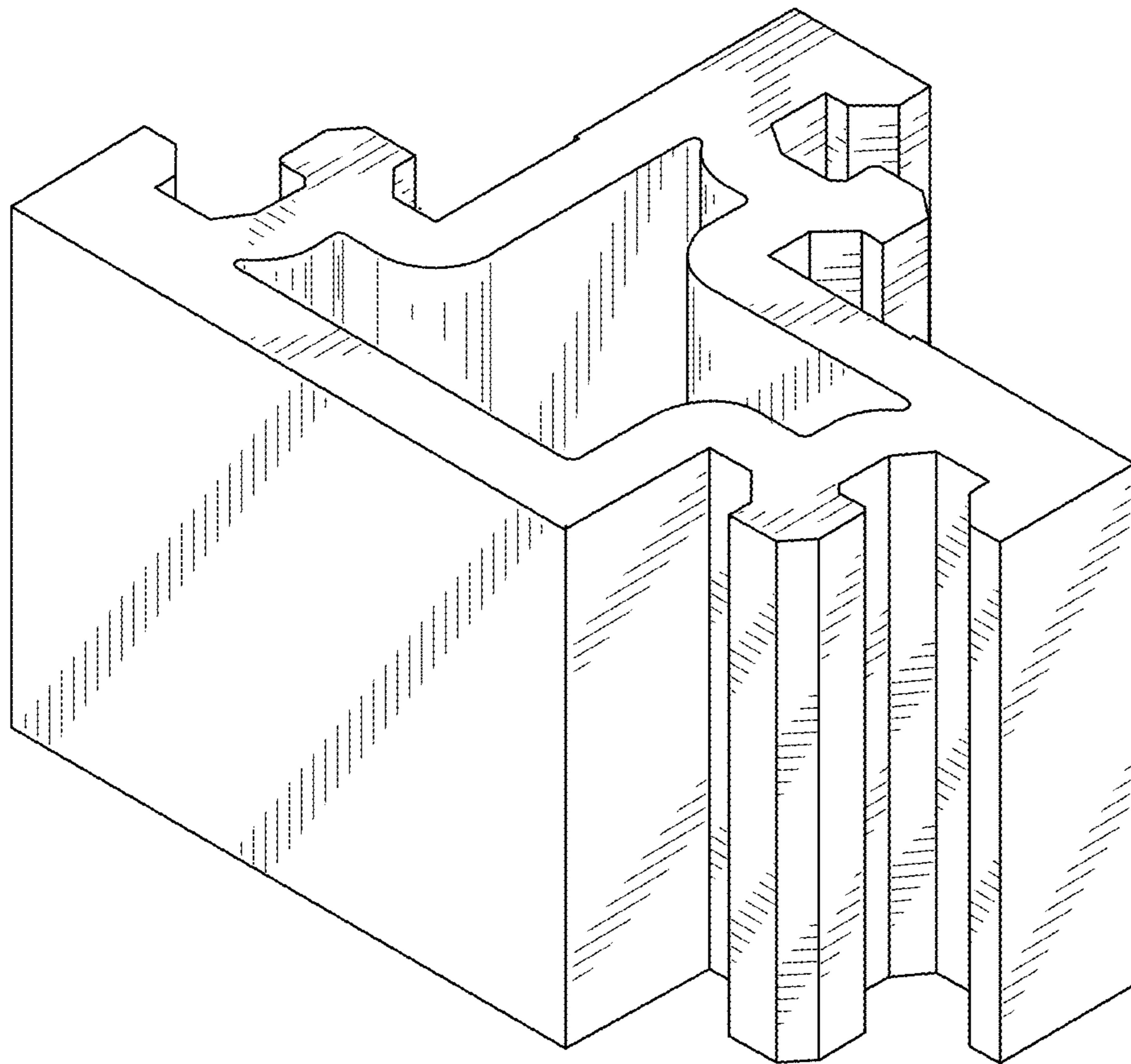


FIG. 2

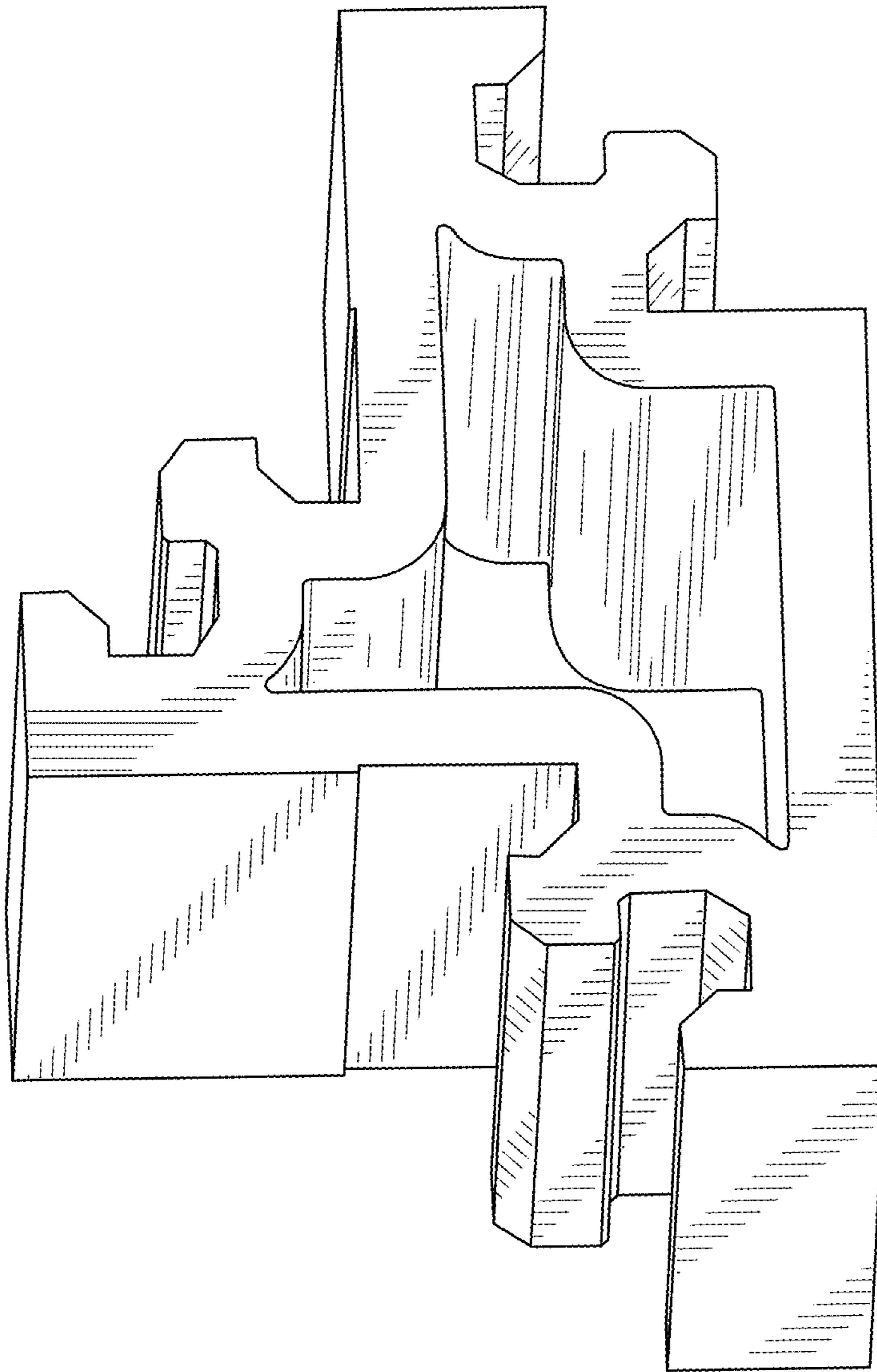


FIG. 3

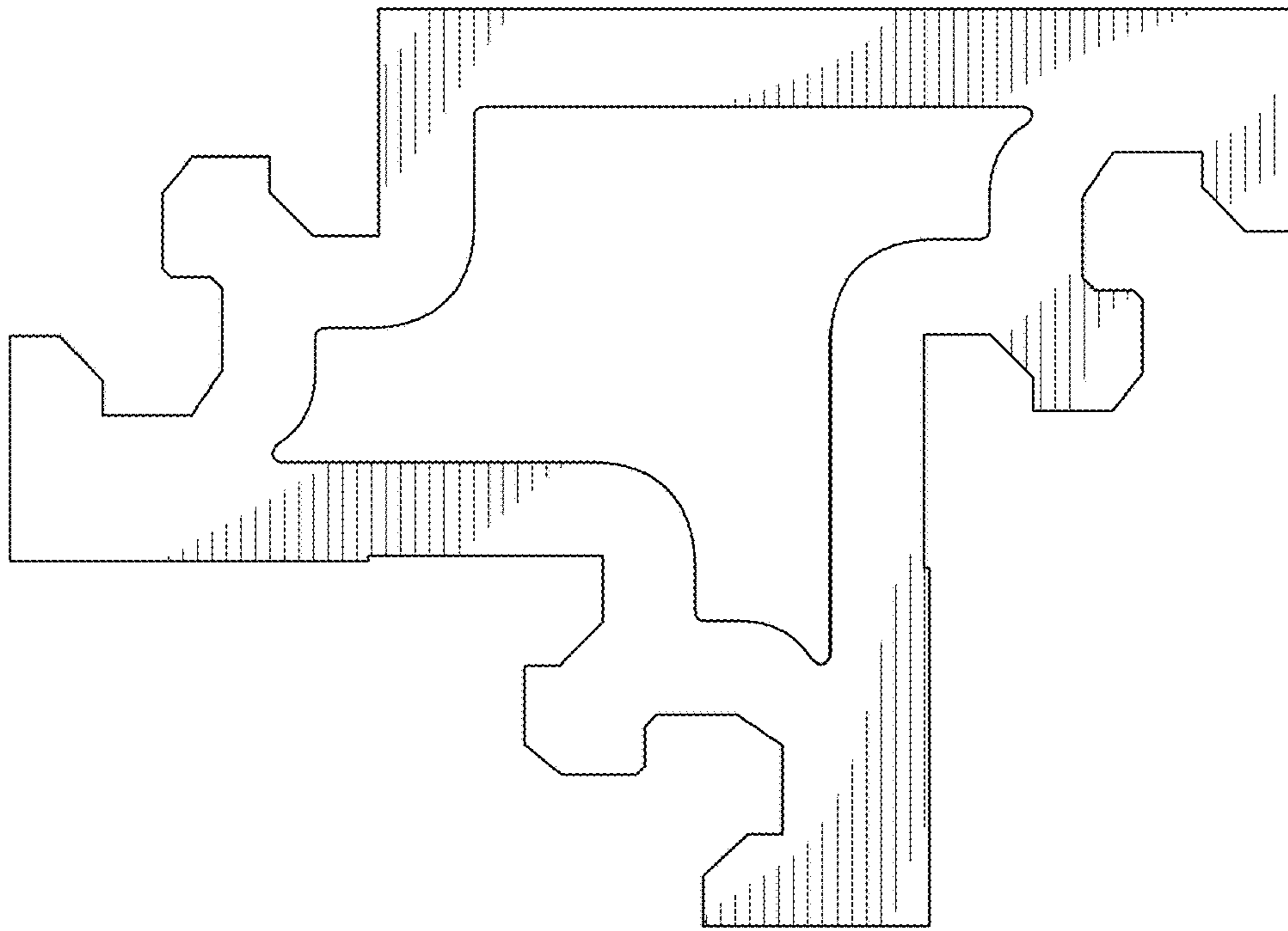


FIG. 4

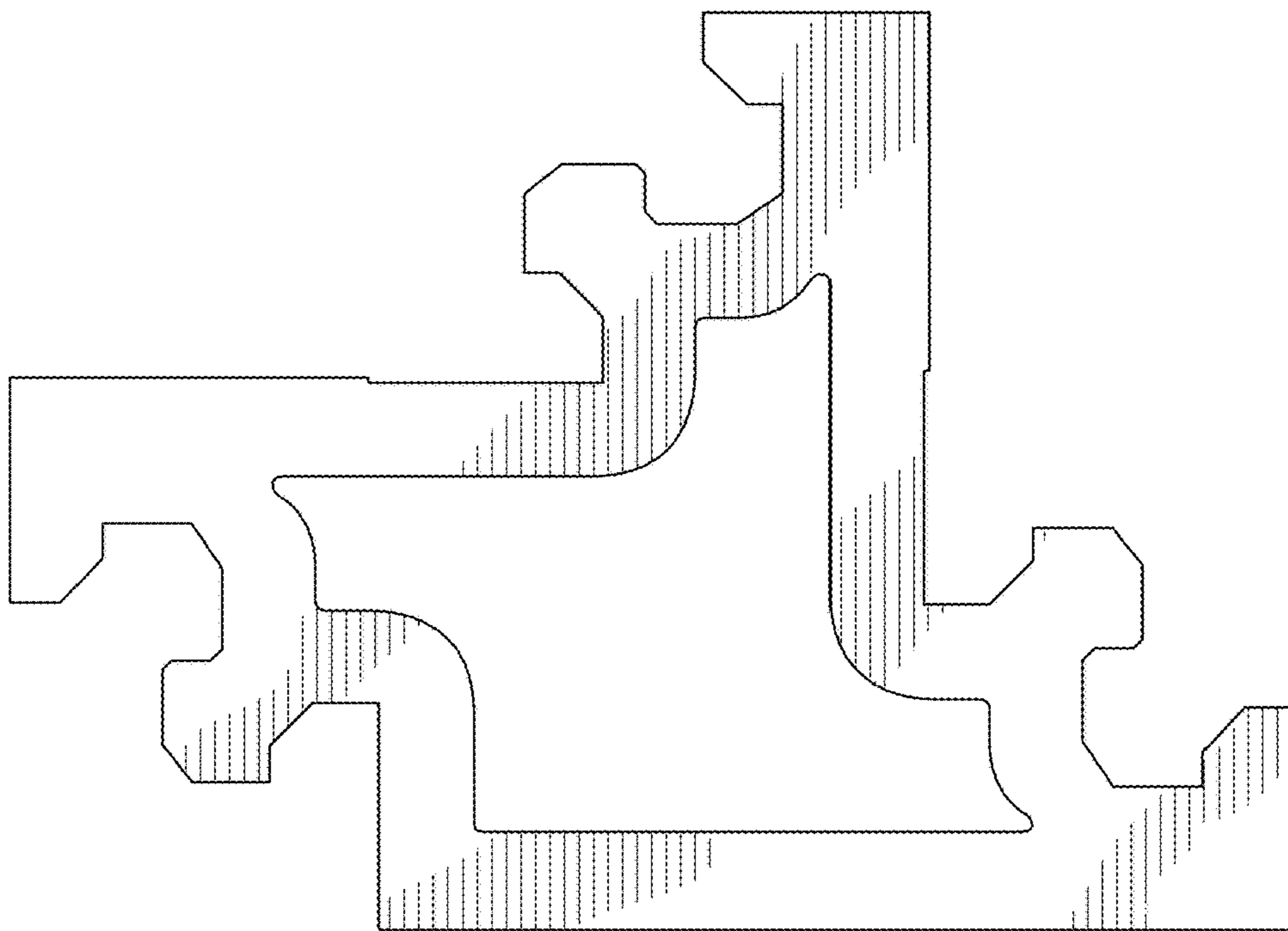


FIG. 5

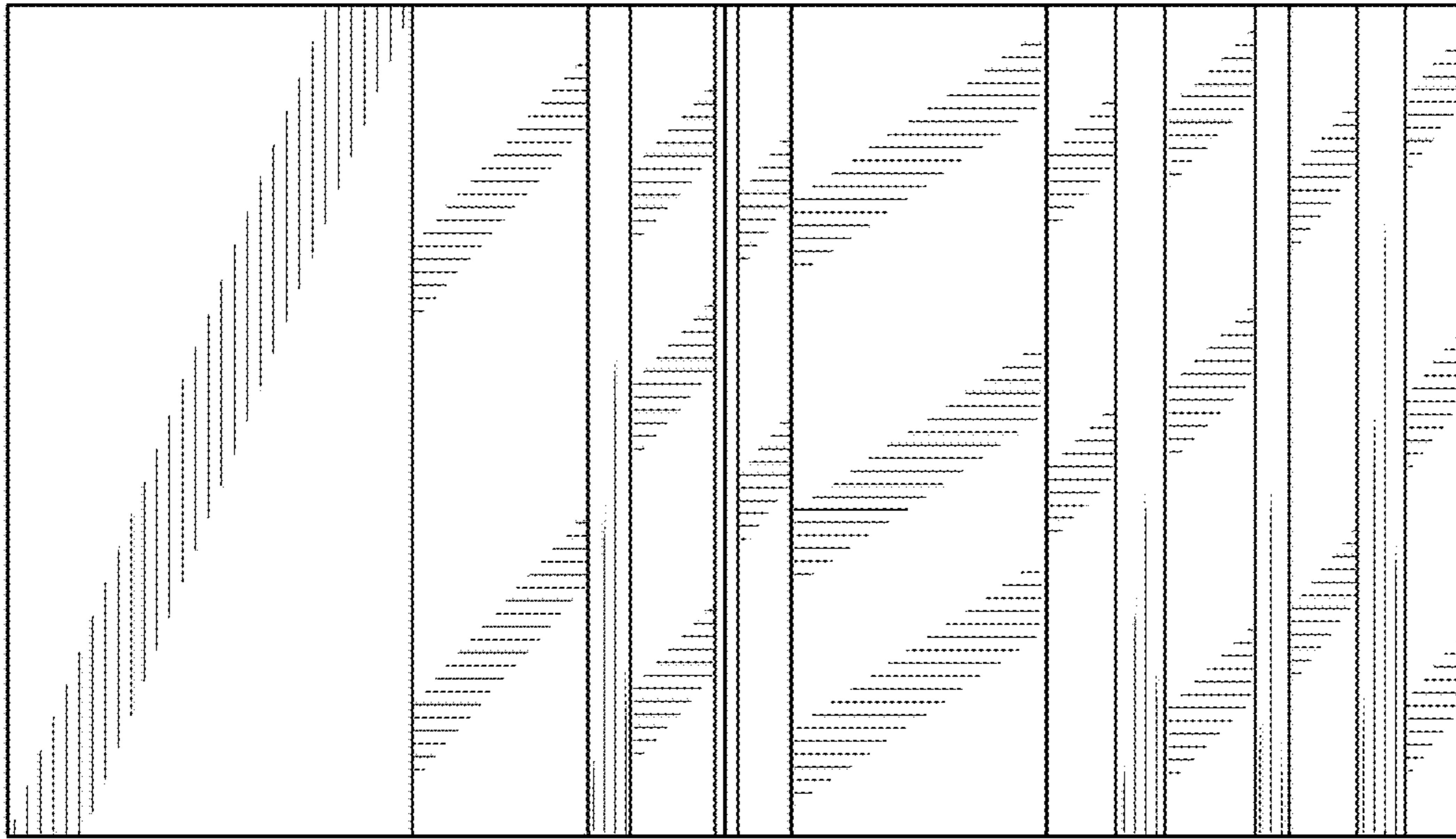


FIG. 6

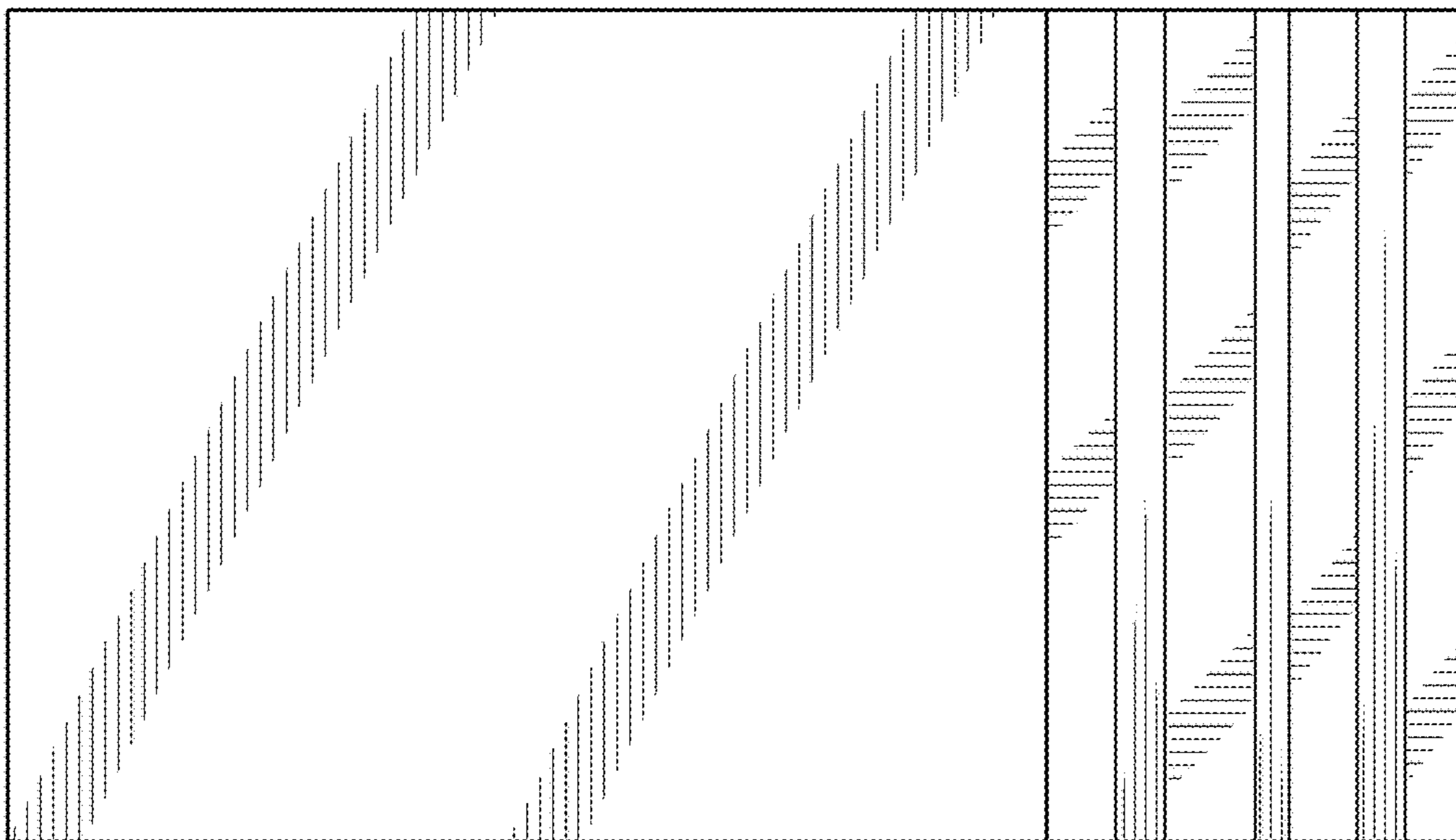


FIG. 7

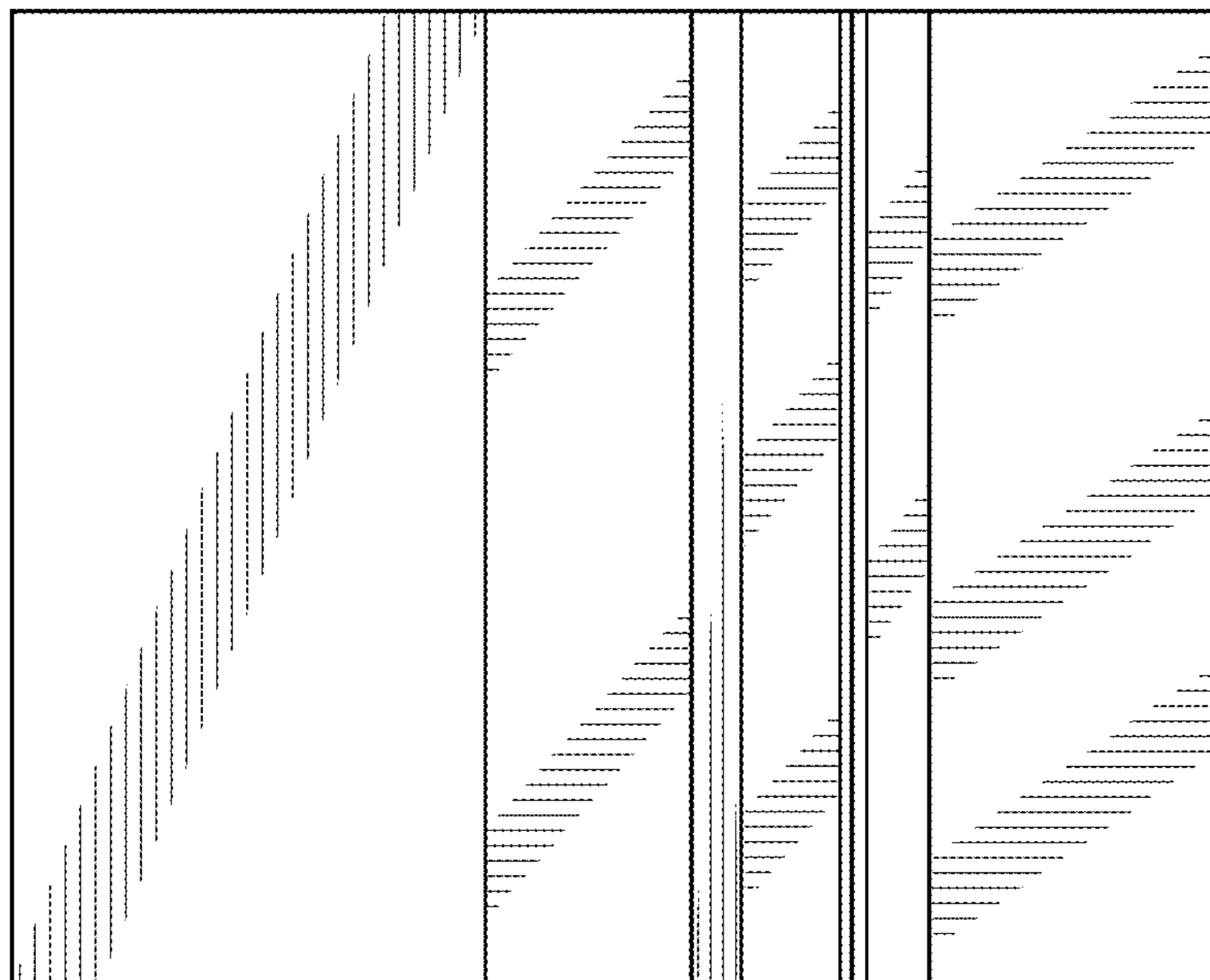


FIG. 8

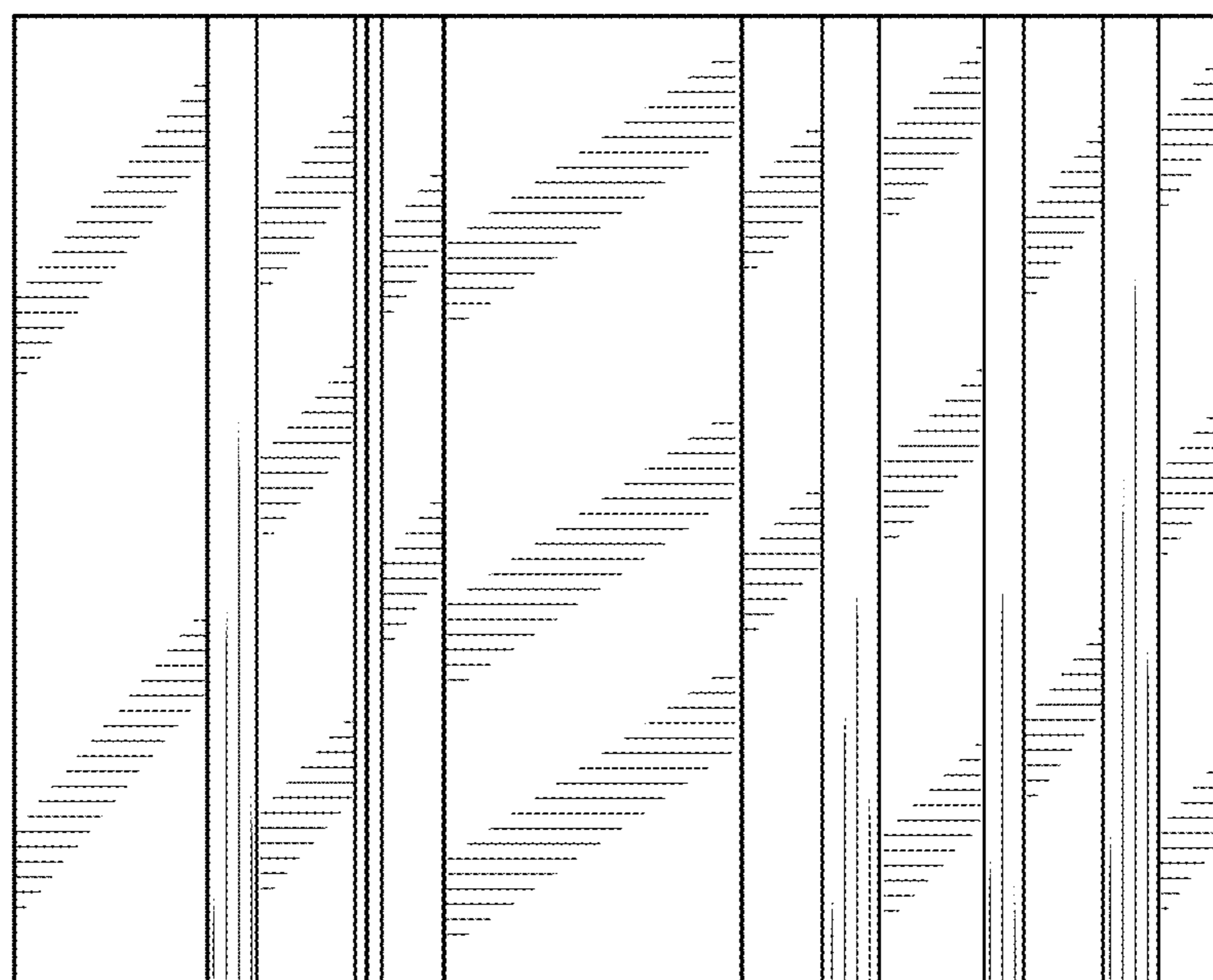


FIG. 9