



US00D833643S

(12) **United States Design Patent** (10) **Patent No.:** **US D833,643 S**
Foley et al. (45) **Date of Patent:** **** Nov. 13, 2018**

(54) **INTEGRATED LADDER TRAY HOOK**

3,476,211 A 11/1969 Cormier
3,481,026 A 12/1969 Lindesmith et al.
3,692,143 A 9/1972 Kümmerlin et al.

(71) Applicant: **Tricam Industries, Inc.**, Eden Prairie, MN (US)

(Continued)

(72) Inventors: **Joseph P. Foley**, St. Paul, MN (US);
Benjamin P. Williams, Chaska, MN (US)

FOREIGN PATENT DOCUMENTS

DE 195 39 157 A1 4/1997
EP 0 324 885 7/1989
NL 1002235 C1 8/1997

(73) Assignee: **Tricam Industries, Inc.**, Eden Prairie, MN (US)

OTHER PUBLICATIONS

(**) Term: **15 Years**

Brochure, "Step Stools—Ladders 2001," Cosco, Inc. (2001), 12 pages.

(21) Appl. No.: **29/609,951**

(Continued)

(22) Filed: **Jul. 7, 2017**

Primary Examiner — Cynthia Ramirez

Assistant Examiner — Gino Colan

(51) **LOC (11) Cl.** **25-04**

(74) *Attorney, Agent, or Firm* — Patterson Thuente

(52) **U.S. Cl.**

Pedersen, P.A.

USPC **D25/68**

(58) **Field of Classification Search**

(57) **CLAIM**

USPC D25/62–65, 68, 69; 182/107, 120, 129,
182/108, 173, 214, 230; 248/211, 225.21

We claim the ornamental design for an integrated ladder tray hook, as shown and described.

CPC E06C 7/14; E06C 7/48; E06C 7/46; E06C
1/397; E06C 7/188; E06C 7/00; E06C
7/182

DESCRIPTION

See application file for complete search history.

FIG. 1 is a perspective view of an integrated ladder tray hook according to the invention.

FIG. 2 is a top view of the integrated ladder tray hook according to the invention.

FIG. 3 is a front view of the integrated ladder tray hook according to the invention.

FIG. 4 is a bottom view of the integrated ladder tray hook according to the invention.

FIG. 5 is a left side view of the integrated ladder tray hook according to the invention; and,

FIG. 6 is a right side view of the integrated ladder tray hook according to the invention.

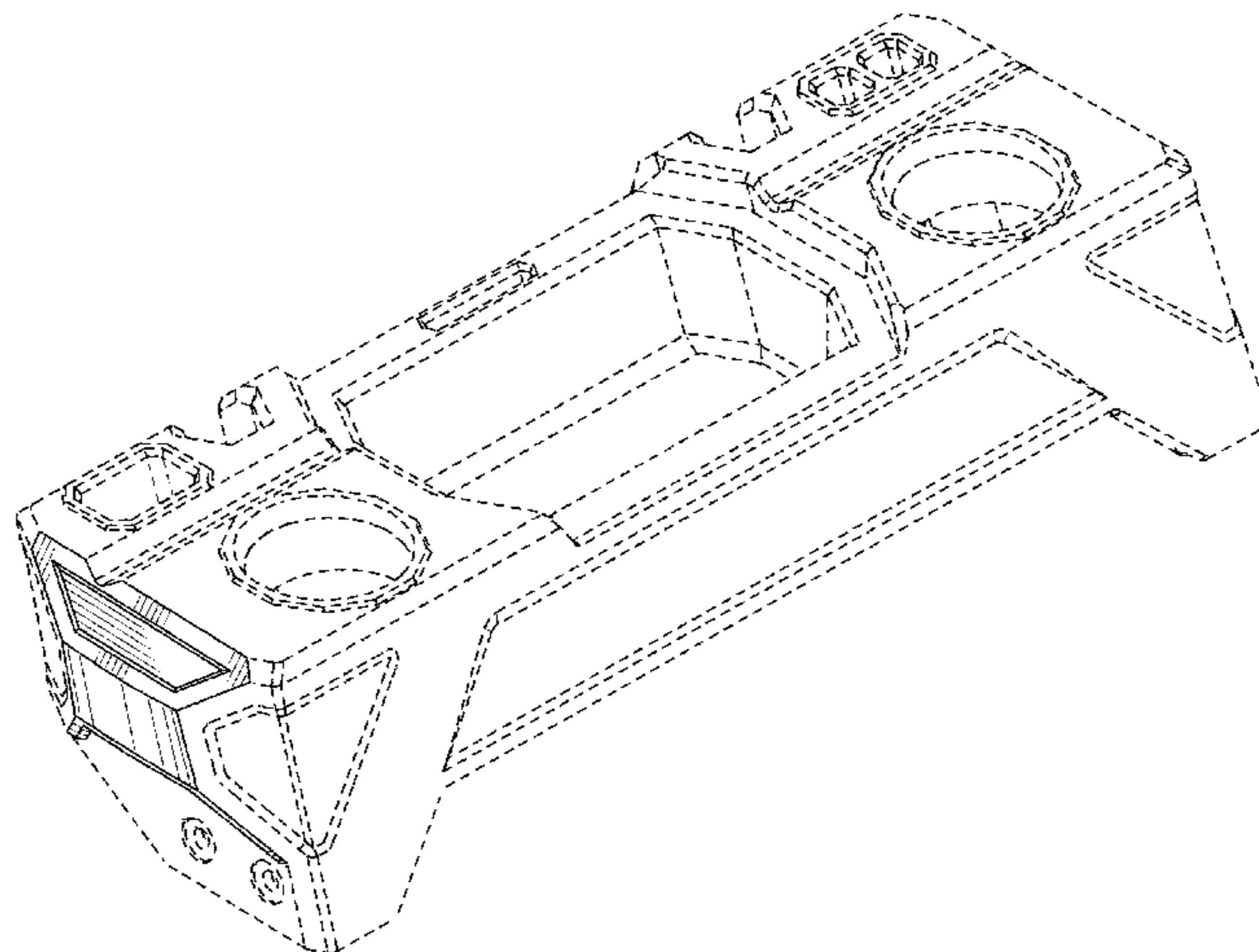
The broken lines shown in the drawings are for the purpose of illustrating environment and form no part of the claimed design.

(56) **References Cited**

U.S. PATENT DOCUMENTS

317,024 A 5/1885 Schumann
445,453 A 1/1891 Nowland
453,193 A 6/1891 Kinser
1,942,210 A 1/1934 Harting
1,973,774 A 9/1934 Pflugradt
2,144,440 A 1/1939 Gaffers
2,186,119 A 1/1940 Moen
2,650,014 A 8/1953 Harrison
3,002,582 A 10/1961 Marcelis
3,318,413 A 5/1967 Werner et al.
3,327,385 A 6/1967 Shaver

1 Claim, 3 Drawing Sheets



(56)

References Cited

U.S. PATENT DOCUMENTS

3,811,151 A 5/1974 Kuemmerlin
 3,849,834 A 11/1974 Mayer
 4,027,741 A 6/1977 Derrick
 4,031,981 A 6/1977 Spencer
 4,060,150 A 11/1977 Hughes
 4,061,203 A 12/1977 Spencer et al.
 D248,777 S 8/1978 Spencer et al.
 RE30,020 E 6/1979 Spencer et al.
 4,182,431 A 1/1980 Wing
 4,210,224 A 7/1980 Kummerlin et al.
 4,216,844 A 8/1980 Klafs
 4,298,093 A 11/1981 Wing
 4,371,055 A 2/1983 Ashton et al.
 4,376,470 A 3/1983 Ashton
 4,407,045 A 10/1983 Boothe
 4,469,193 A 9/1984 Rumsey, Jr.
 4,470,045 A 9/1984 Anderson
 4,474,264 A 10/1984 Krause
 4,483,415 A 11/1984 Disston et al.
 4,502,566 A 3/1985 Wing
 4,540,306 A 9/1985 Wang
 4,566,150 A 1/1986 Boothe
 4,597,687 A 7/1986 Colas
 4,602,889 A 7/1986 Mu-Shan
 4,656,721 A 4/1987 Werner
 4,666,327 A 5/1987 Su
 4,666,328 A 5/1987 Ryu
 4,697,305 A 10/1987 Boothe
 4,698,896 A 10/1987 Osterwald et al.
 4,770,559 A 9/1988 Yoo
 4,774,503 A 9/1988 Bussard
 4,824,278 A 4/1989 Chang
 4,859,109 A 8/1989 Targetti
 4,890,950 A 1/1990 Yoo
 D309,502 S 7/1990 Wing et al.
 4,947,959 A 8/1990 Yuen
 4,951,780 A 8/1990 Kim
 4,967,879 A 11/1990 Klafs et al.
 4,974,701 A 12/1990 Parise
 5,002,153 A 3/1991 Yuen
 5,026,198 A 6/1991 Lin
 5,074,377 A 12/1991 Krause
 5,163,532 A 11/1992 McCarty
 5,228,535 A 7/1993 McCarty
 5,279,387 A 1/1994 Swiderski et al.
 5,353,892 A 10/1994 Lu
 5,359,812 A 11/1994 Mayfield
 5,366,051 A 11/1994 Bartnicki et al.
 5,419,084 A 5/1995 Sankey et al.
 5,487,207 A 1/1996 Rey
 5,515,942 A 5/1996 Woodfield
 5,620,272 A 4/1997 Sheng
 5,775,460 A 7/1998 Stone
 5,954,157 A 9/1999 Grimes et al.
 5,966,777 A 10/1999 Jantschek
 5,992,566 A 11/1999 Yeh
 6,032,759 A 3/2000 Yeh
 6,141,909 A 11/2000 Hanson
 6,220,389 B1 4/2001 Krause
 6,269,909 B1 8/2001 Grimes et al.
 6,298,605 B1 10/2001 Delefosse et al.
 6,343,406 B1 2/2002 Yeh
 6,347,687 B1 2/2002 Alim
 6,390,238 B1 5/2002 Gibson et al.

6,401,862 B1 * 6/2002 Caron E06C 7/14
 182/120
 6,502,664 B1 * 1/2003 Peaker, Sr. E06C 7/14
 182/129
 6,533,882 B1 3/2003 Woodside
 D484,251 S * 12/2003 Pruett D25/68
 6,857,503 B2 2/2005 Simpson et al.
 6,866,117 B2 3/2005 Moss
 7,047,597 B2 5/2006 Lee
 7,063,187 B1 * 6/2006 Lavigne E06C 1/39
 182/129
 7,108,103 B2 9/2006 Meeker
 D554,771 S 11/2007 Skubic et al.
 7,364,017 B2 4/2008 Moss et al.
 7,861,826 B2 1/2011 Meyers et al.
 D710,031 S 7/2014 Simpson et al.
 8,919,497 B2 12/2014 Rund
 8,997,931 B2 4/2015 Parker et al.
 D735,354 S * 7/2015 Fadear D25/68
 9,359,819 B1 * 6/2016 Valadez E06C 7/14
 9,404,305 B1 8/2016 Messick
 9,416,591 B2 8/2016 Kieffer et al.
 9,580,959 B2 2/2017 Kieffer et al.
 2002/0017431 A1 2/2002 Gibson et al.
 2002/0166727 A1 11/2002 Cramer et al.
 2003/0188923 A1 10/2003 Moss
 2004/0000449 A1 1/2004 Meeker
 2004/0007424 A1 1/2004 Simpson
 2004/0108164 A1 * 6/2004 Pruett E06C 7/14
 182/129
 2007/0181369 A1 8/2007 Gibson et al.
 2011/0024234 A1 2/2011 Lin
 2011/0272923 A1 11/2011 Chen
 2012/0181109 A1 7/2012 Rund
 2014/0224585 A1 8/2014 Russell et al.
 2015/0159434 A1 6/2015 Leng
 2015/0233181 A1 8/2015 Walsh

OTHER PUBLICATIONS

Brochure re: The Little Giant, prior to Mar. 2017, 2 pages.
 Brochure, "Ladders," Tricam Industries, prior to Mar. 2017, pp. 1-4.
 Fact Sheet, "Prostep Multi-Folding Ladder, Type I," Tricam Industries, No. 001-1 (Mar. 94), 2 pages.
 Brochure, "Jaws/Climbing systems for professionals and do-it-yourselfers," Featherlite Industries (1996).
 Spec sheet, "Fiberglass VersaLadder™", Versa Products Inc., prior to Mar. 2017.
 Brochure, "VersaLadder™, The Original, Amazing, Multi-purpose, Heavy-duty, Folding Ladder!" Versa Products Inc., prior to Mar. 2017.
 Brochure, "VersaLadder™" (Jun. 1993).
 Brochure, "Unless your ladder looks like this . . . and does this . . ." Wing Enterprises, Inc., prior to Mar. 2017.
 Operating and Safety Instructions, "Little Giant Ladder Systems, Type IA," Wing Enterprises, Inc. (Aug. 1990), 30 pages.
 Brochure, "Ladders," Keller Ladders, Inc. (1999), 4 pages.
 Keller™ 2000/2001 Product Catalog, p. 8 (2000).
 Brochure, Krause (1997), 6 pages.
 Brochure, "The Little Giant Ladder System® Fiberglass," Wing Enterprises, prior to Mar. 2017.
 Brochure, "Columbia & Blue Ribbon 1999 Ladders," Columbia Ladders/Blue Ribbon Ladders (1999), 4 pages.

* cited by examiner

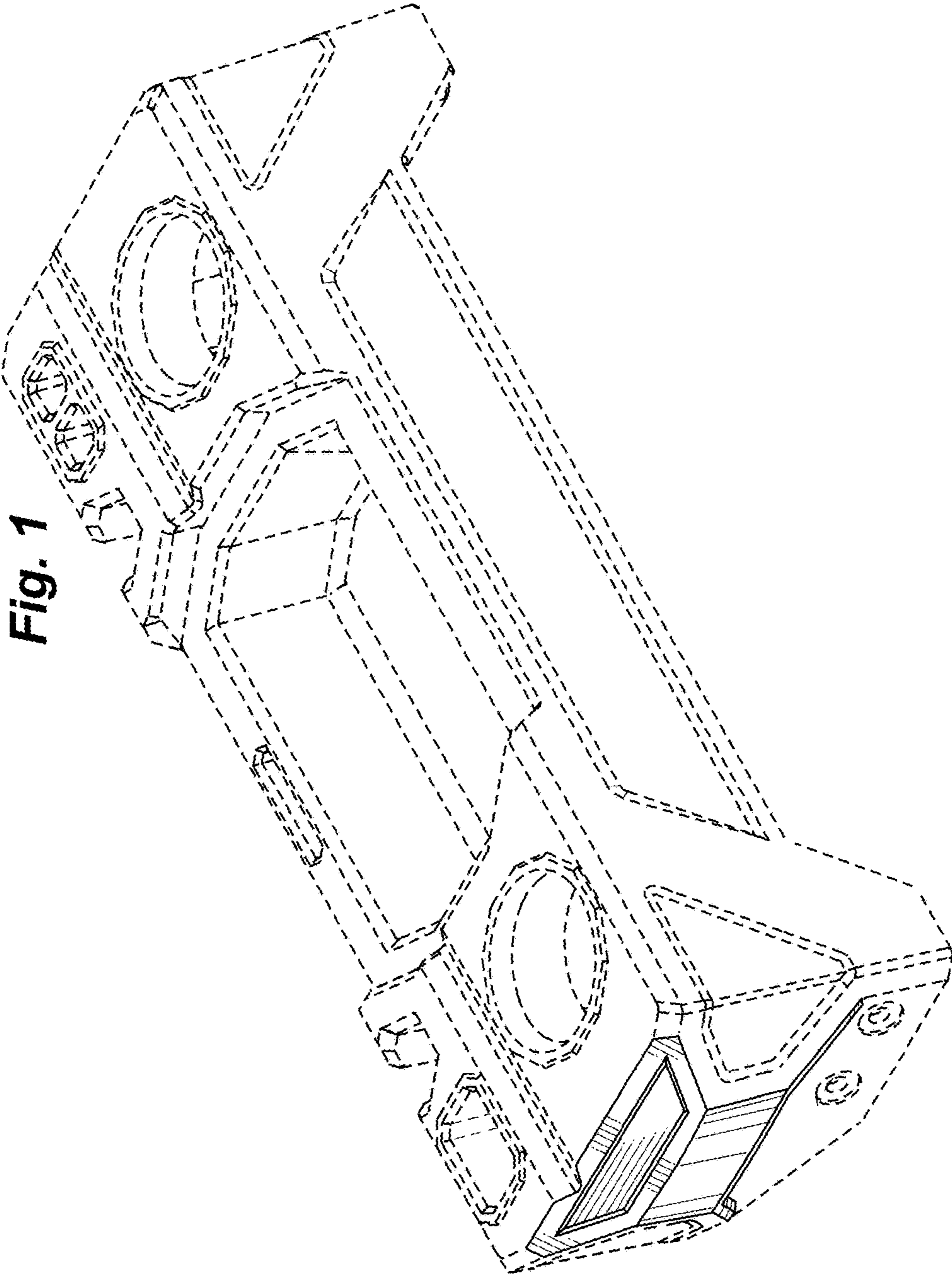
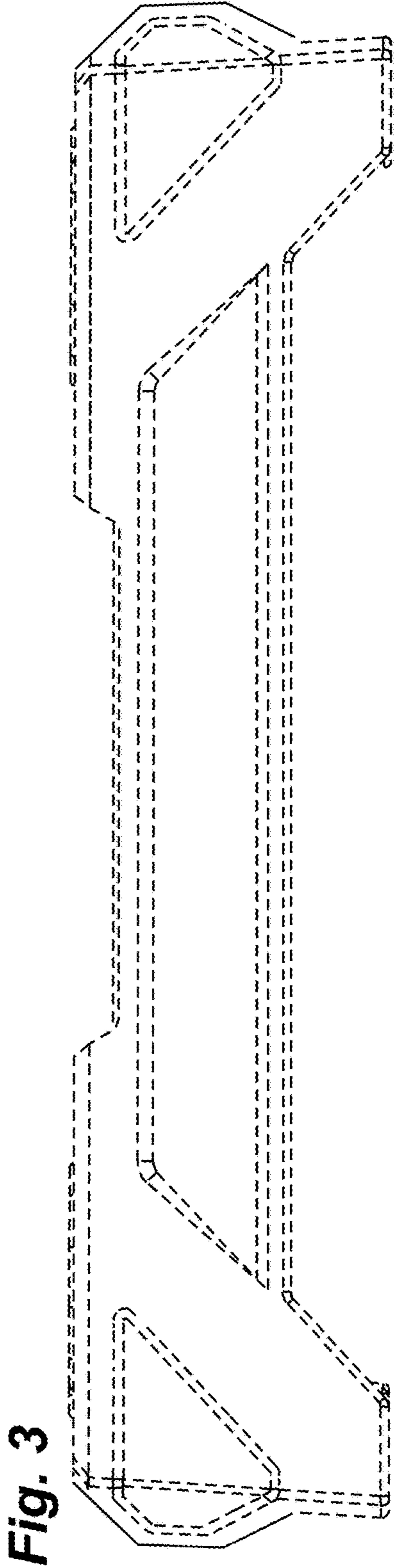
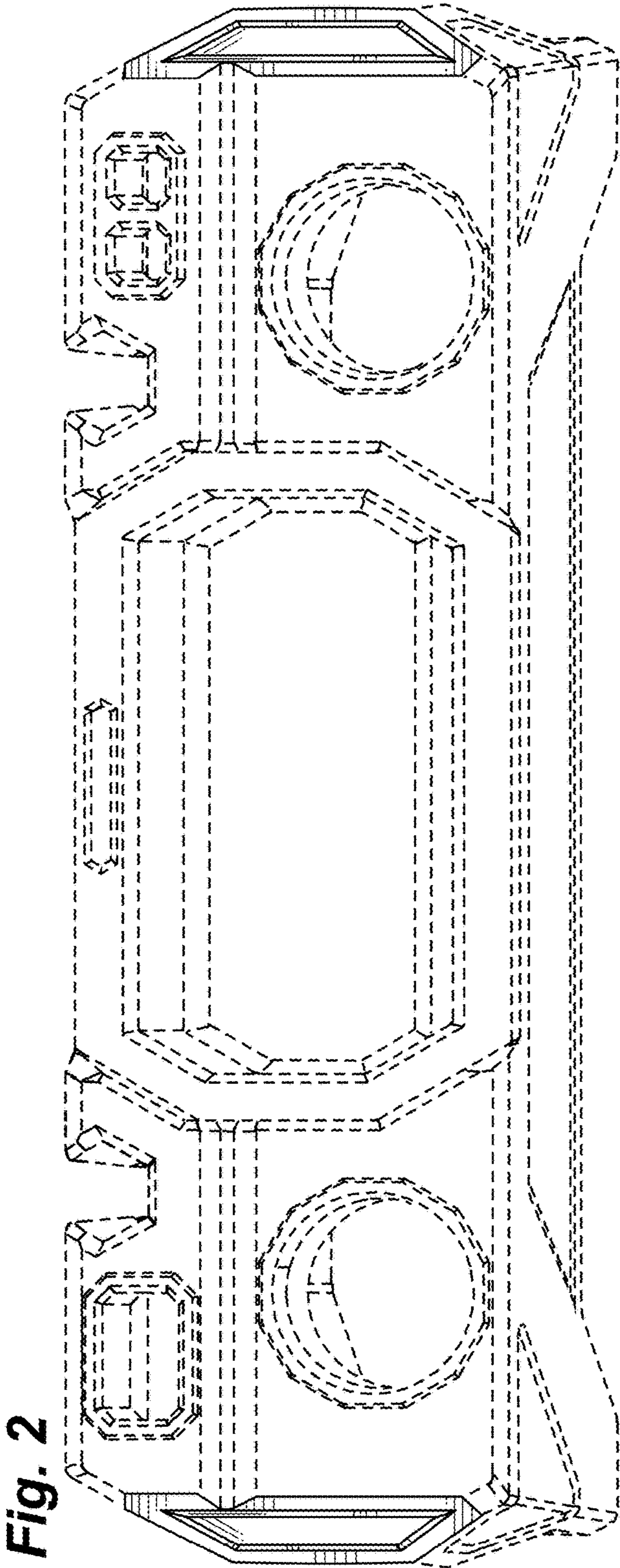


Fig. 1



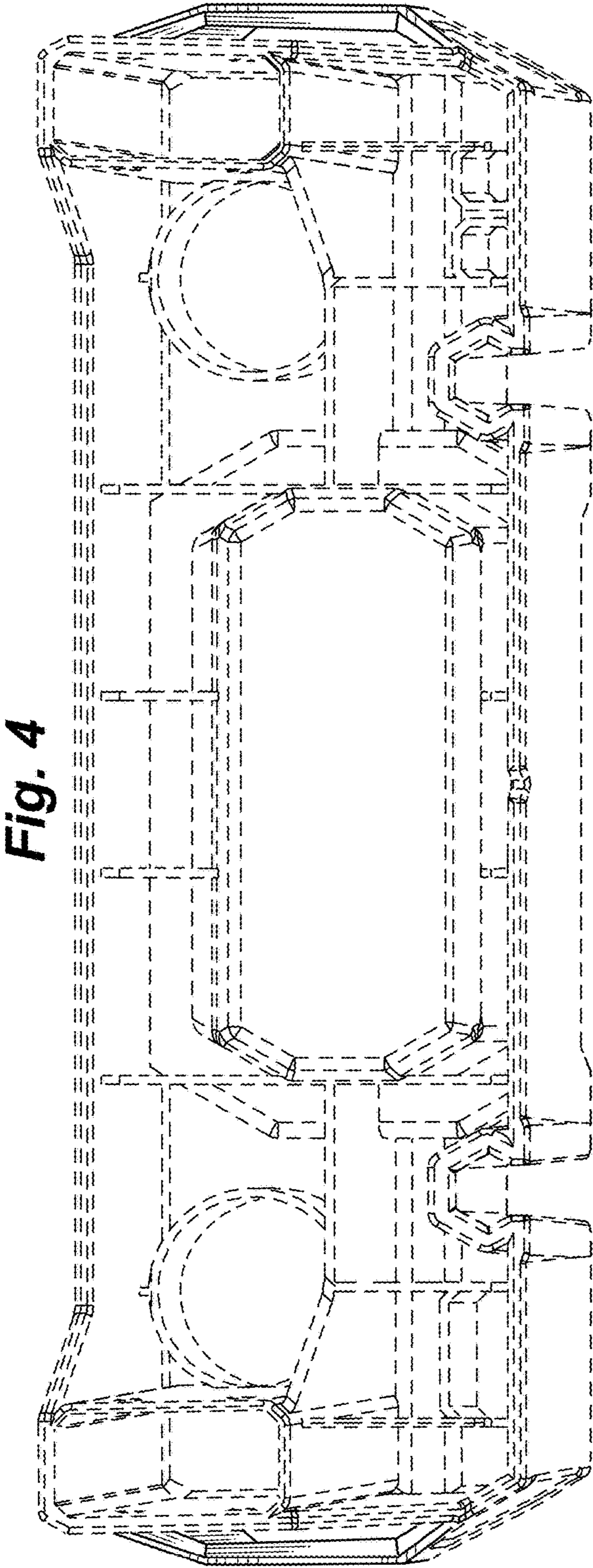


Fig. 6

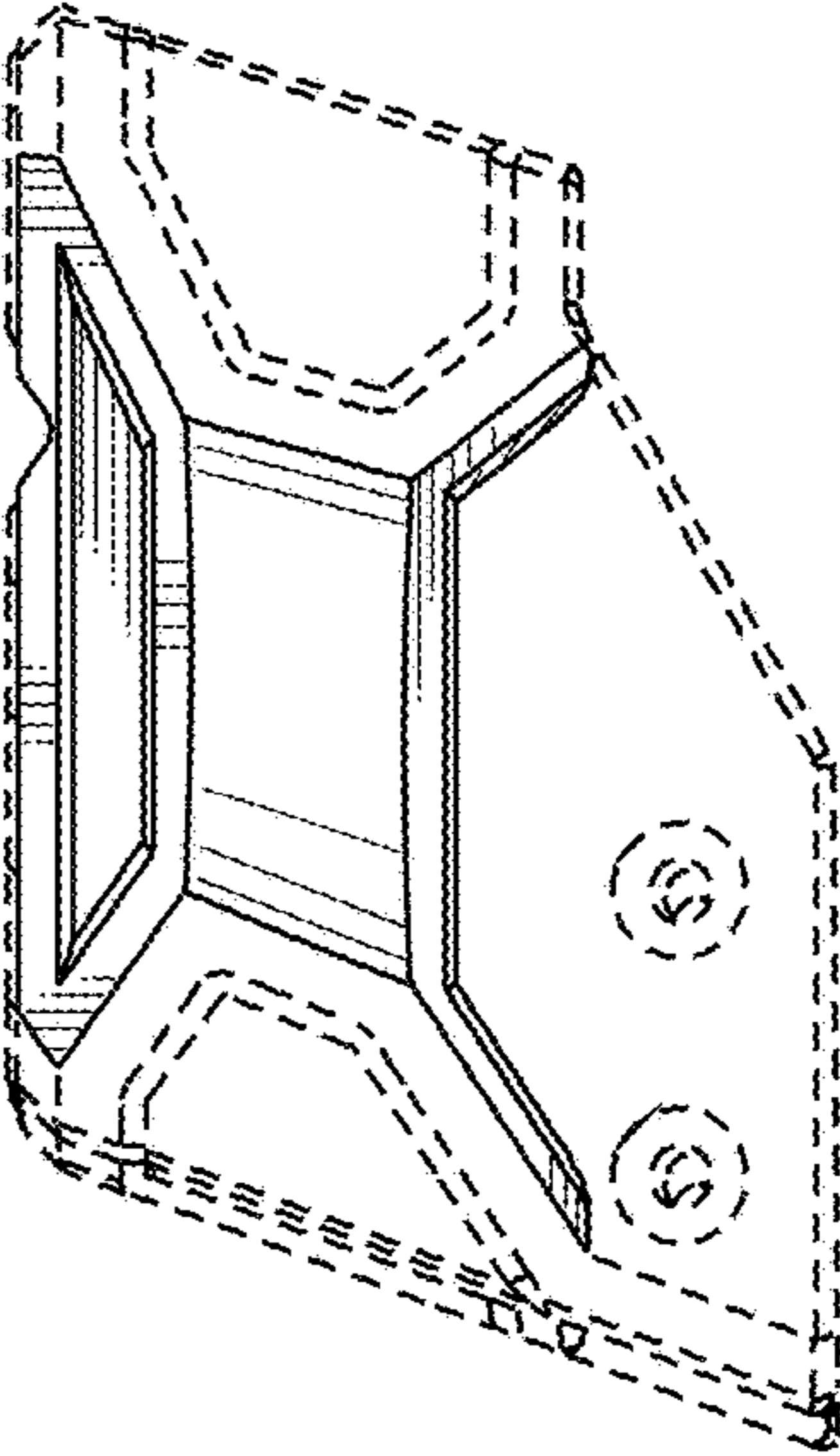


Fig. 5

