



US00D833641S

(12) **United States Design Patent** (10) **Patent No.:** **US D833,641 S**  
**Mead et al.** (45) **Date of Patent:** **\*\* Nov. 13, 2018**

(54) **CAPILLARY ELECTROPHORESIS CARTRIDGE IN A CONTAINER**

(71) Applicant: **LIFE TECHNOLOGIES CORPORATION**, Carlsbad, CA (US)

(72) Inventors: **Joshua Mead**, San Diego, CA (US);  
**Joseph A. Lazur**, Carlsbad, CA (US)

(73) Assignee: **Life Technologies Corporation**, Carlsbad, CA (US)

(\*\*) Term: **15 Years**

(21) Appl. No.: **29/591,867**

(22) Filed: **Jan. 24, 2017**

(51) **LOC (11) Cl.** ..... **24-01**

(52) **U.S. Cl.**  
USPC ..... **D24/233**

(58) **Field of Classification Search**  
USPC ..... D24/216–233, 107, 169, 186; D10/81  
CPC ..... B01L 2200/10; B01L 2200/16; B01L 2300/0809; B01L 2300/0816; B01L 2300/0819; B01L 2300/0822; B01L 2300/0829; B01L 2300/0832; B01L 2300/0838; B01L 2300/0806; B01L 2300/0861; B01L 2300/0883; B01L 2300/0893; B01L 2300/0877; G01N 35/00029; G01N 35/08; G01N 2035/00019; G01N 2035/00306; G01N 2035/00326; G01N 2021/0346  
See application file for complete search history.

(56) **References Cited**

U.S. PATENT DOCUMENTS

D347,067 S \* 5/1994 Shartle ..... D24/223  
D438,633 S \* 3/2001 Miller ..... D24/216  
D559,995 S \* 1/2008 Handique ..... D24/232  
D706,930 S \* 6/2014 Lin ..... D24/216  
D739,553 S \* 9/2015 Yang ..... D24/232

D784,551 S \* 4/2017 Todd ..... D24/224  
D799,055 S \* 10/2017 Kennedy ..... D24/224  
D800,336 S \* 10/2017 Chang ..... D24/224  
D803,416 S \* 11/2017 Leaver ..... D24/224  
2003/0235521 A1\* 12/2003 Shea ..... B01J 19/0046  
506/39  
2011/0291610 A1\* 12/2011 Kamiya ..... A61B 6/44  
320/103  
2017/0087550 A1\* 3/2017 Lee ..... B01L 3/502715  
2017/0326549 A1\* 11/2017 Jones ..... B01L 3/502715

\* cited by examiner

*Primary Examiner* — Anhdao Doan

*Assistant Examiner* — Mary Shannon Malley

(57) **CLAIM**

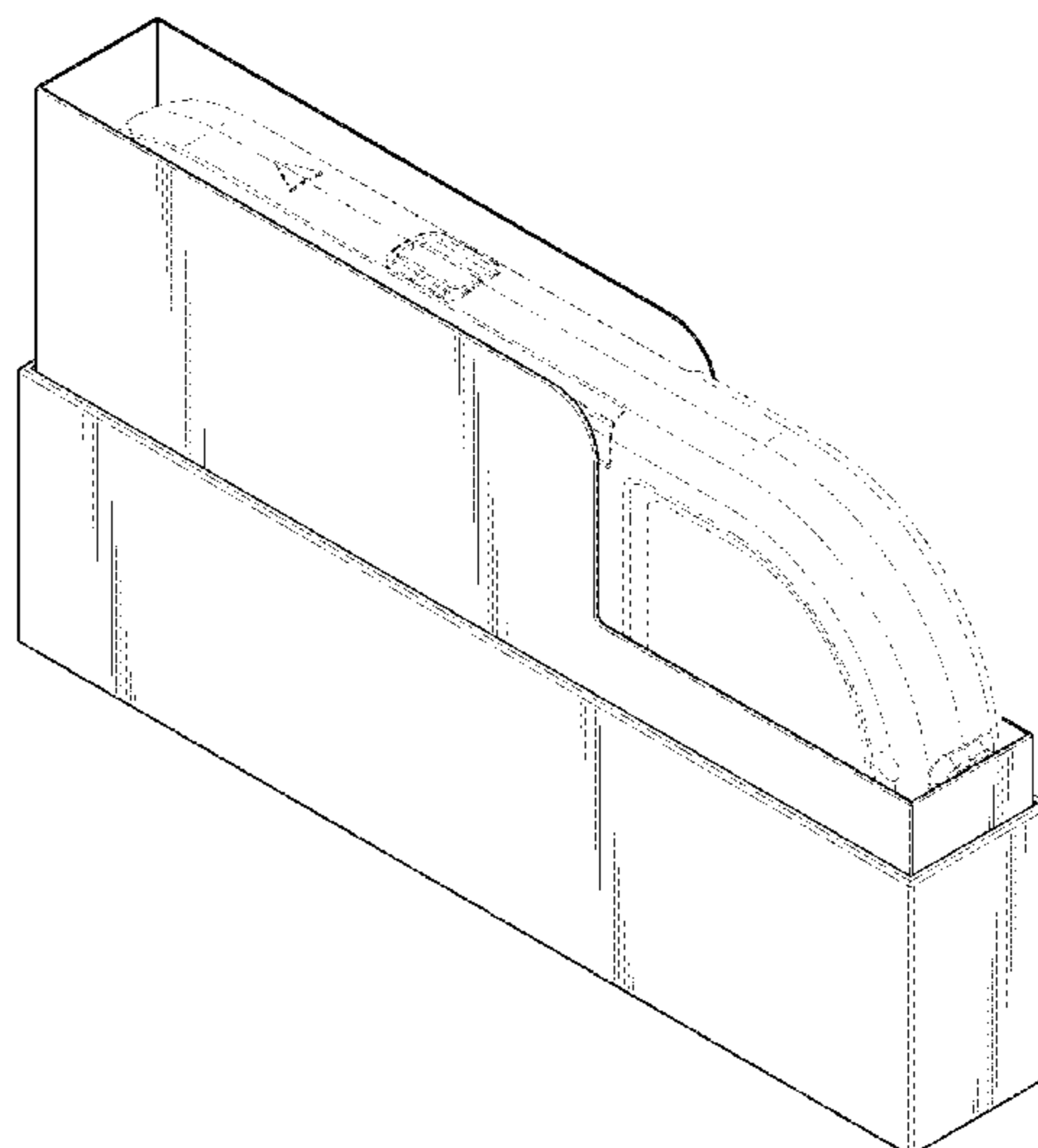
The ornamental design for a capillary electrophoresis cartridge in a container, as shown and described.

**DESCRIPTION**

FIG. 1 is a front perspective view of a capillary electrophoresis cartridge in a container.  
FIG. 2 is a front view of the capillary electrophoresis cartridge in a container shown in FIG. 1.  
FIG. 3 is a back view of the capillary electrophoresis cartridge in a container shown in FIG. 1.  
FIG. 4 is a side view of the capillary electrophoresis cartridge in a container shown in FIG. 1.  
FIG. 5 is a side view of the capillary electrophoresis cartridge in a container shown in FIG. 1.  
FIG. 6 is a top view of the capillary electrophoresis cartridge in a container shown in FIG. 1.  
FIG. 7 is a bottom view of the capillary electrophoresis cartridge in a container shown in FIG. 1; and,  
FIG. 8 is a front perspective view of the capillary electrophoresis cartridge shown in an alternate configuration with the lid closed.

The broken lines shown in the drawings illustrate portions of the capillary electrophoresis cartridge that form no part of the claimed design.

**1 Claim, 6 Drawing Sheets**



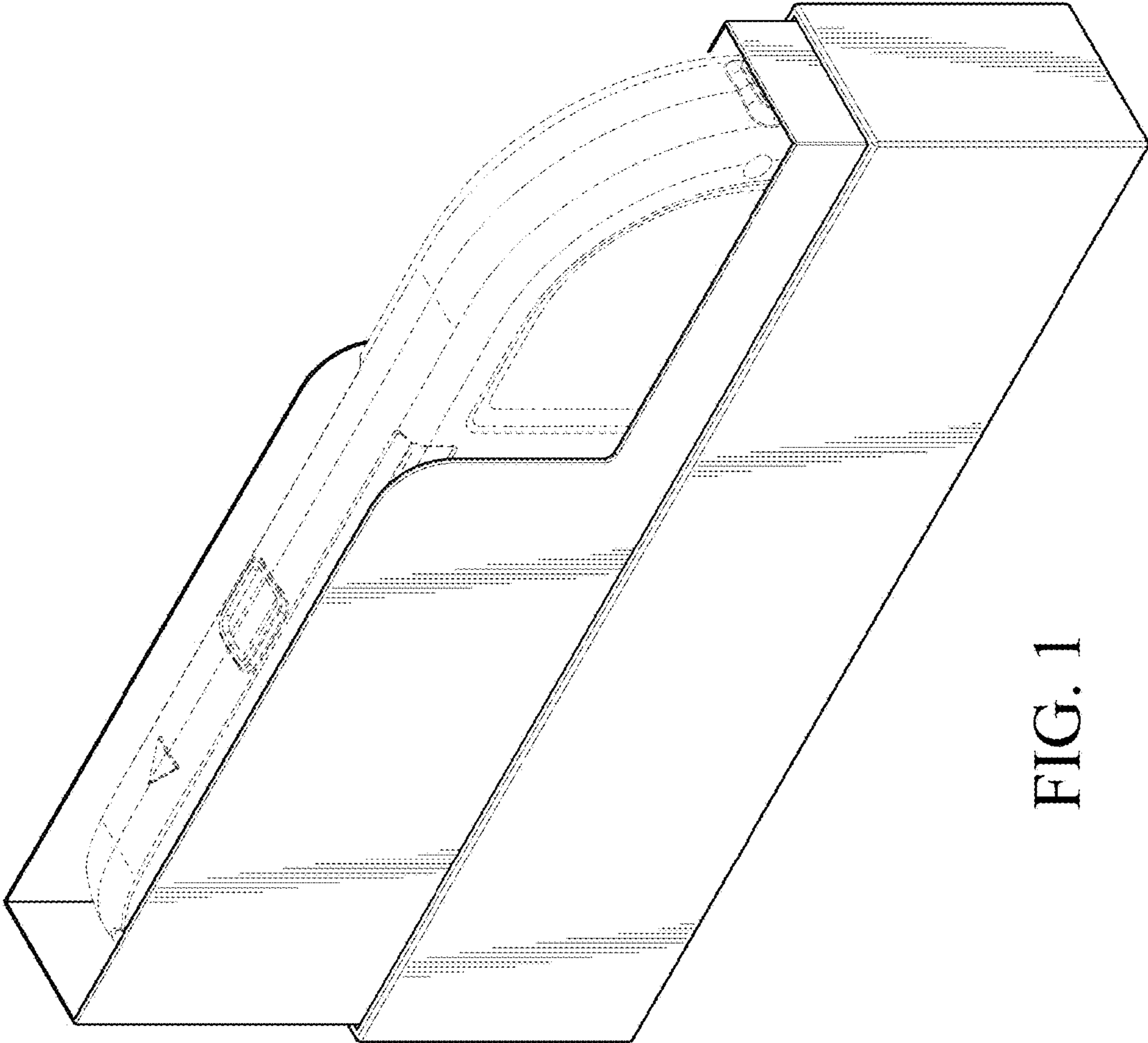


FIG. 1

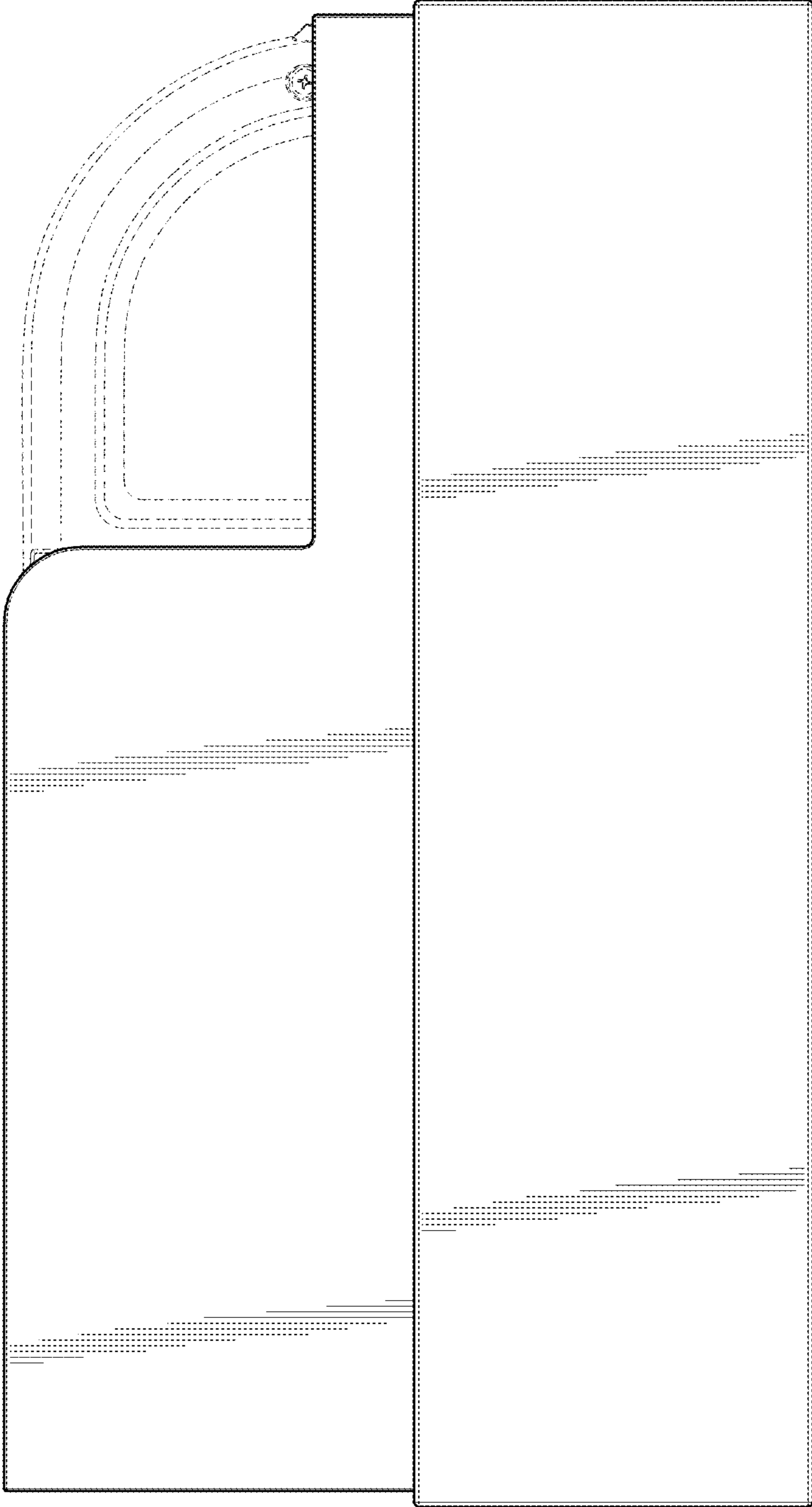


FIG. 2

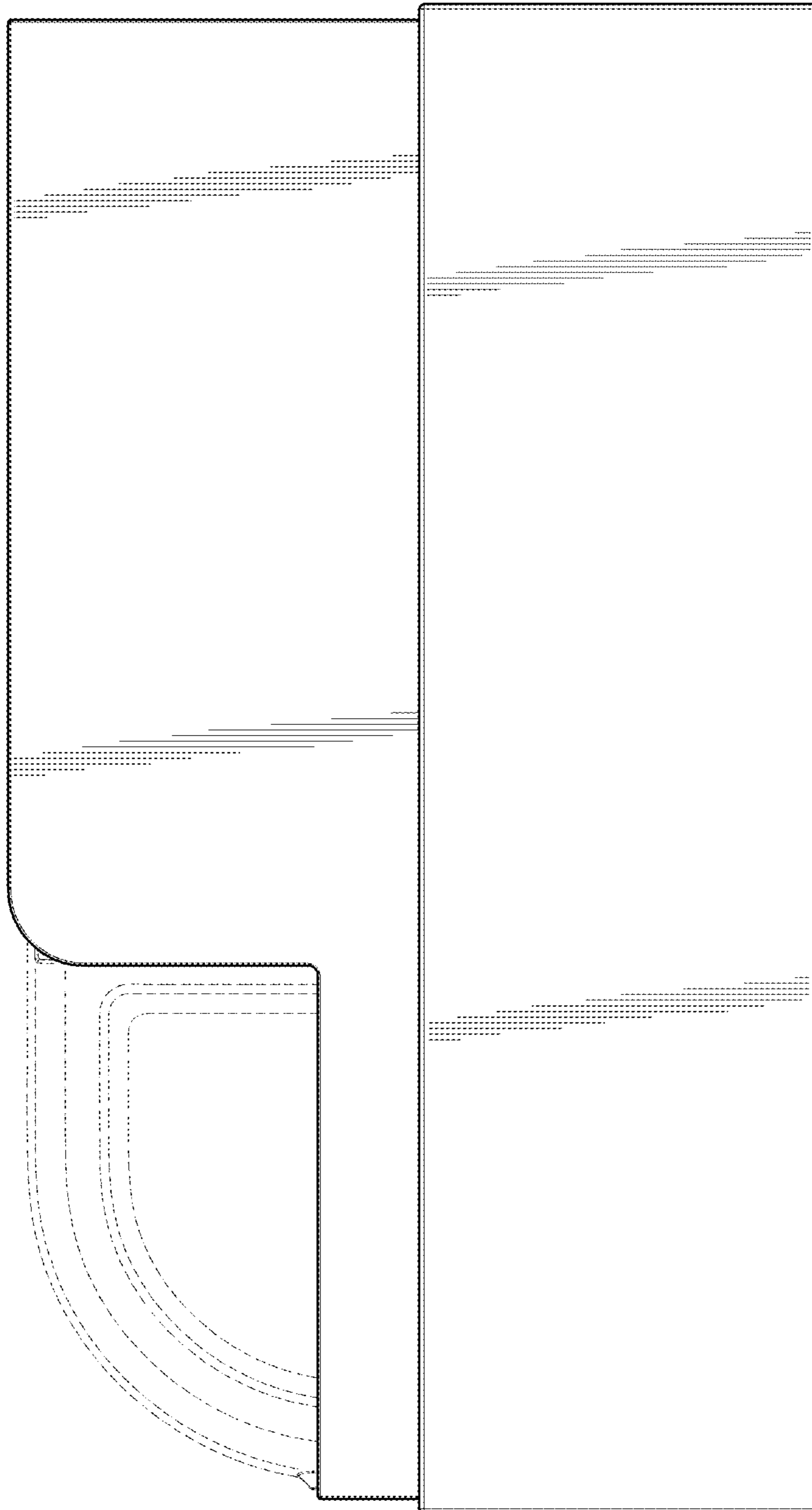


FIG. 3

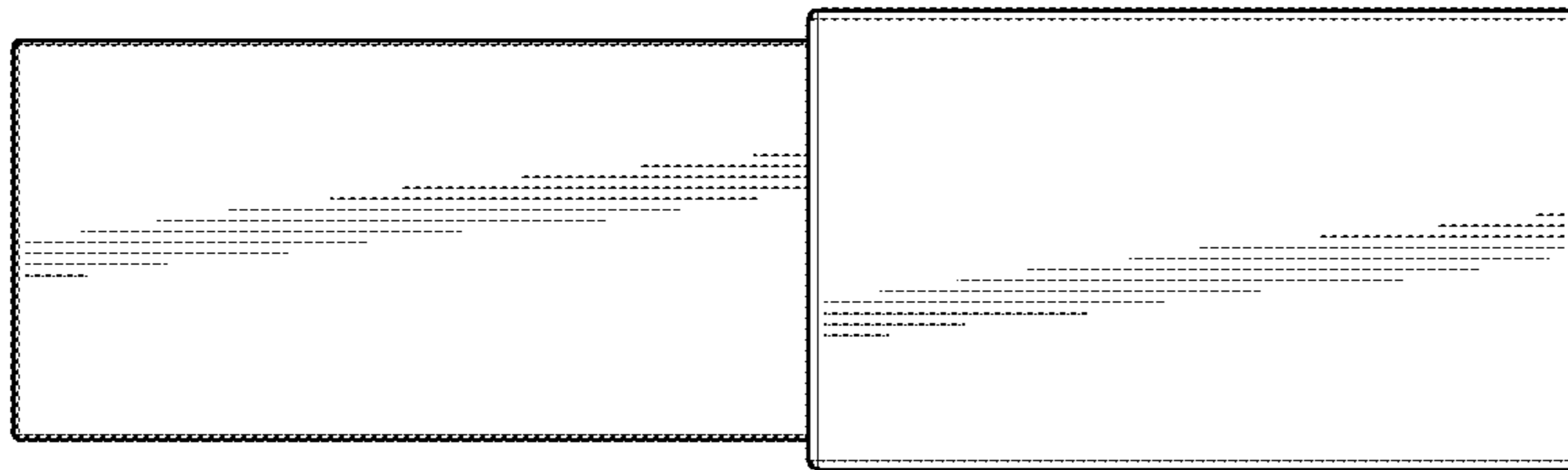


FIG. 5

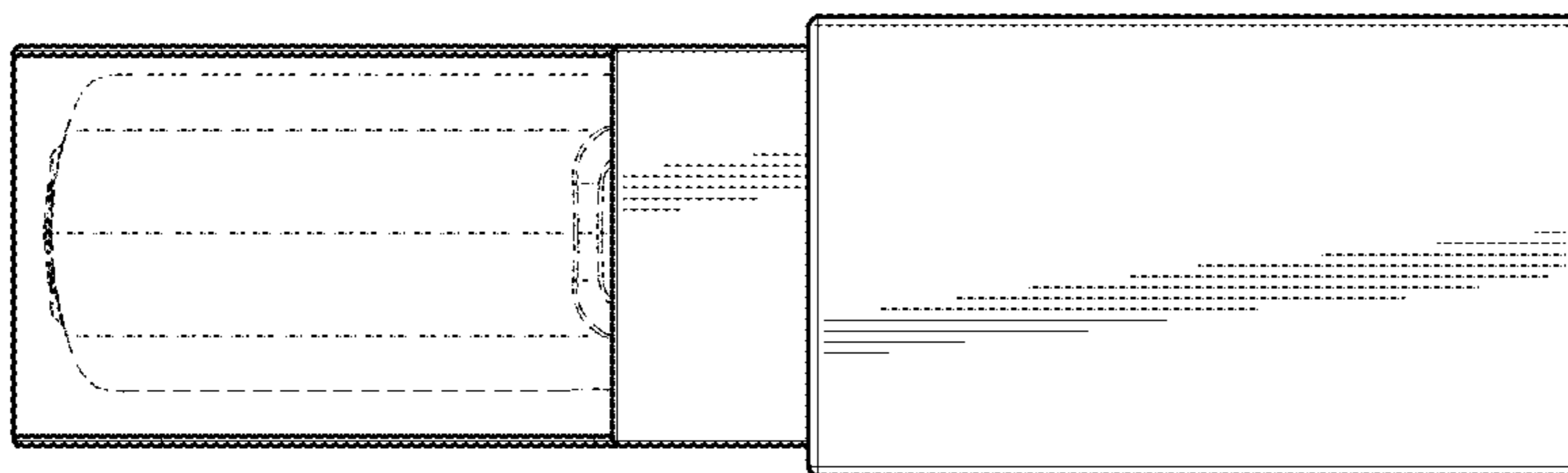


FIG. 4



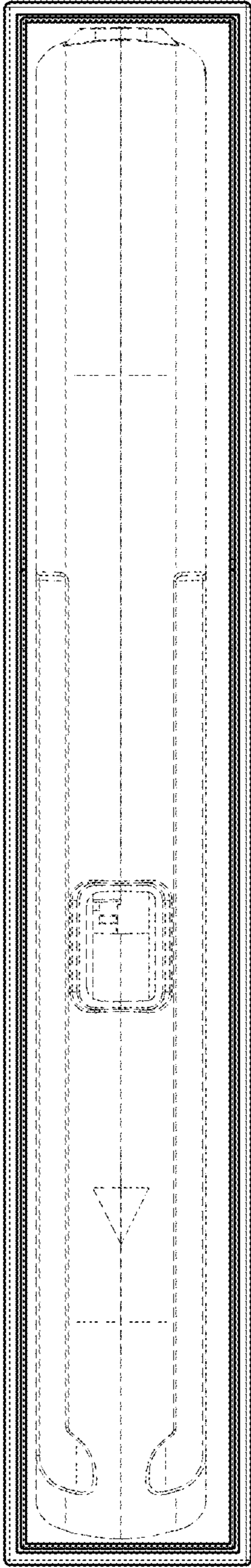


FIG. 6

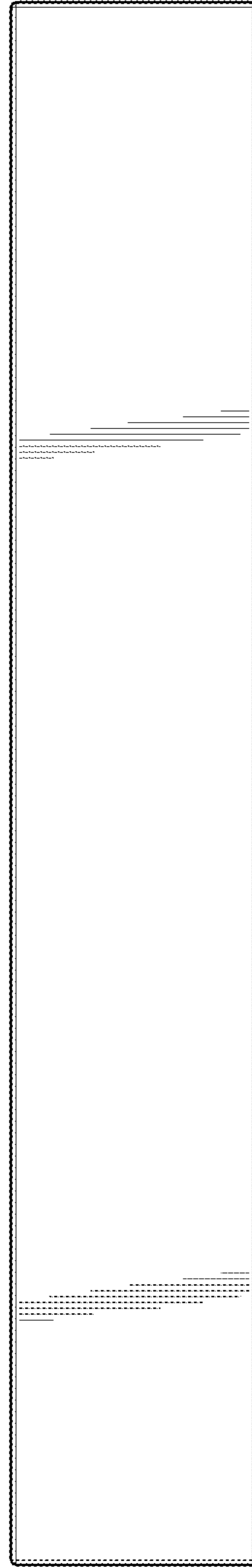


FIG. 7

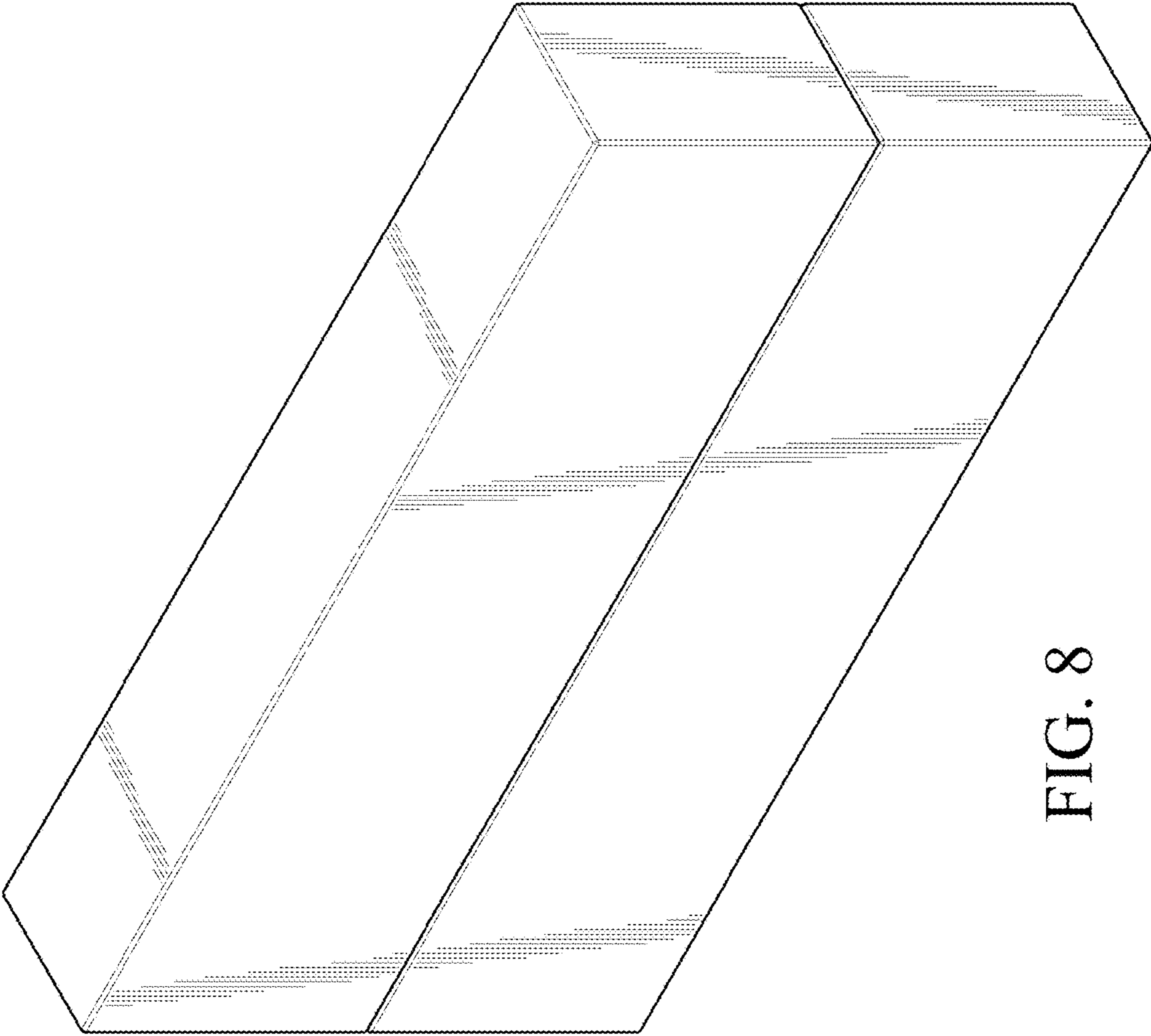


FIG. 8