



US00D833639S

(12) **United States Design Patent**  
**Peltosaari et al.**

(10) **Patent No.:** **US D833,639 S**  
(45) **Date of Patent:** **\*\* Nov. 13, 2018**

(54) **SAMPLE VESSEL**

(71) Applicant: **Thermo Fisher Scientific Oy**, Vantaa (FI)

(72) Inventors: **Lauri Peltosaari**, Espoo (FI); **Joni Rannisto**, Kerava (FI)

(73) Assignee: **Thermo Fisher Scientific Oy**, Vantaa (FI)

(\*\*) Term: **15 Years**

(21) Appl. No.: **29/590,378**

(22) Filed: **Jan. 10, 2017**

**Related U.S. Application Data**

(62) Division of application No. 29/517,970, filed on Feb. 19, 2015, now Pat. No. Des. 777,940.

(51) **LOC (11) Cl.** ..... **24-02**

(52) **U.S. Cl.**  
USPC ..... **D24/224**

(58) **Field of Classification Search**  
USPC ..... D24/107, 121, 133, 216, 222-230, 233;  
D9/523, 547, 549, 550, 724, 732  
(Continued)

(56) **References Cited**

**U.S. PATENT DOCUMENTS**

2,817,970 A 12/1957 Whitby  
3,814,522 A 6/1974 Clark et al.  
(Continued)

**OTHER PUBLICATIONS**

EZ Micro and Standard Micro Test Tubes. [online] Retrieved Jun. 21, 2018 from URL: <http://www.bio-rad.com/en-us/product/ez-micro-standard-micro-test-tubes?ID=3420af27-0a0e-4ae8-8be5-1a005073c93a>.\*

(Continued)

*Primary Examiner* — Vy N Koenig

(74) *Attorney, Agent, or Firm* — Wood Herron & Evans LLP

(57) **CLAIM**

The ornamental design for a sample vessel, as shown and described.

**DESCRIPTION**

FIG. 1 is a top front isometric view of a first embodiment of a sample vessel showing our new design, with the sample vessel top open;

FIG. 2 is a top left side isometric view thereof;

FIG. 3 is a bottom left side isometric view thereof;

FIG. 4 is a front elevational view thereof;

FIG. 5 is a rear elevational view thereof;

FIG. 6 is a cross-sectional view taken along line 6-6 of FIG. 4 thereof;

FIG. 7 is a right side elevational view thereof;

FIG. 8 is a left side elevational view thereof;

FIG. 9 is a cross-sectional view taken along line 9-9 of FIG. 7 thereof;

FIG. 10 is a top plan view thereof;

FIG. 11 is a bottom plan view thereof;

FIG. 12 is a top front isometric view of a second embodiment of a sample vessel showing our new design, with the sample vessel top closed;

FIG. 13 is a top left side isometric view thereof;

FIG. 14 is a bottom left side isometric view thereof;

FIG. 15 is a front elevational view thereof;

FIG. 16 is a rear elevational view thereof;

FIG. 17 is a cross-sectional view taken along line 17-17 of FIG. 15 thereof;

FIG. 18 is a right side elevational view thereof;

FIG. 19 is a left side elevational view thereof;

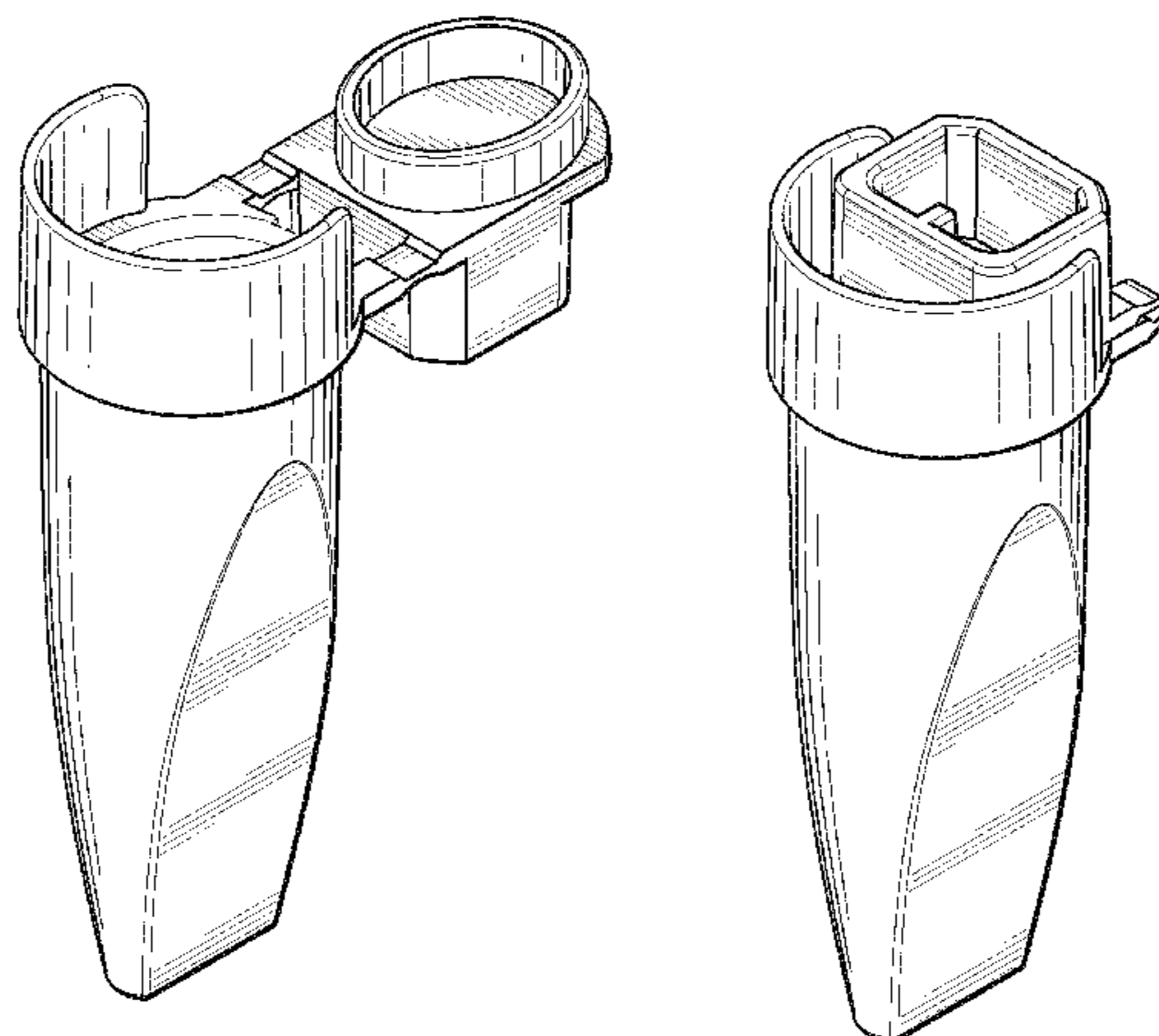
FIG. 20 is a cross-sectional view taken along line 20-20 of FIG. 18 thereof;

FIG. 21 is a top plan view thereof; and,

FIG. 22 is a bottom plan view thereof.

The portions of the sample vessel depicted in broken dash lines represent the bounds of the claim and form no part of the claimed design. As to the broken lines denoting the

(Continued)



bounds of the claim, neither the lines themselves, nor the region within said lines, form any part of the claimed design.

**1 Claim, 10 Drawing Sheets**

**(58) Field of Classification Search**

CPC ..... B01F 13/0025; B01J 2219/00292; B01J 2220/64; B01L 3/14; B01L 3/021-3/0237; B01L 3/508-3/50825; B01L 3/52-3/523; G01F 11/02

See application file for complete search history.

**(56) References Cited**

U.S. PATENT DOCUMENTS

D246,467 S	11/1977	Kurata	
D246,600 S	12/1977	Kurata	
D258,534 S	3/1981	Nagel	
4,348,207 A *	9/1982	Cappel .....	G01N 33/76 422/430
4,427,634 A	1/1984	Truglio	
D278,653 S	4/1985	Savitz et al.	
4,528,187 A	7/1985	Truglio	
4,674,640 A *	6/1987	Asa .....	B01L 3/5457 215/230
D302,722 S	8/1989	Baxter	
4,865,812 A	9/1989	Kuntz et al.	
D304,997 S	12/1989	Baxter	
D307,052 S	4/1990	Baxter	
4,956,298 A *	9/1990	Diekmann .....	B01D 15/08 210/772
4,981,654 A	1/1991	Kuntz et al.	
D318,727 S	7/1991	Spike	
5,030,421 A	7/1991	Muller	
5,254,314 A *	10/1993	Yu .....	B01L 3/5457 215/237
5,260,032 A	11/1993	Muller	
D342,793 S	12/1993	Balmer	

5,295,599 A *	3/1994	Smith .....	B01L 3/50825 215/204
5,316,732 A	5/1994	Golukhov et al.	
5,513,768 A *	5/1996	Smith .....	B01L 3/50825 215/278
D380,555 S	7/1997	Kurosaki et al.	
D383,851 S	9/1997	Wong	
5,785,925 A *	7/1998	U'Ren .....	B01L 3/5021 422/550
6,066,299 A	5/2000	Lodge	
D427,691 S	7/2000	Asselta	
6,145,688 A *	11/2000	Smith .....	B01L 3/50825 215/278
D438,982 S	3/2001	Lodge et al.	
D453,573 S *	2/2002	Lafond .....	D24/216
D453,838 S	2/2002	Harrop	
D454,201 S	3/2002	Harrop	
D463,864 S	10/2002	Treadwell et al.	
6,878,346 B2	4/2005	DeYoung et al.	
D558,357 S	12/2007	Byrd et al.	
D560,816 S	1/2008	Talmer et al.	
7,387,216 B1 *	6/2008	Smith .....	B01L 3/50825 215/DIG. 3
D636,678 S	4/2011	Baird et al.	
D652,148 S	1/2012	Matsuura	
D687,965 S	8/2013	Trump	
D709,624 S	7/2014	Baum et al.	
D722,703 S	2/2015	Fuller et al.	
D723,181 S *	2/2015	Kawamura .....	D24/224
D725,286 S *	3/2015	Miyamoto .....	D24/224
D743,045 S	11/2015	Trump	
9,289,767 B2 *	3/2016	Taunk .....	B01L 3/50825
D777,940 S *	1/2017	Peltosaari .....	D24/224
9,821,313 B2 *	11/2017	Nuotio .....	B65D 83/00

OTHER PUBLICATIONS

Corning Costar Spin-X centrifuge tube filters. [online] Published Sep. 20, 2015. Retrieved Jun. 21, 2018 from URL: <https://www.sigmaaldrich.com/catalog/product/sigma/cls9301?lang=en&region=US>.\*

\* cited by examiner

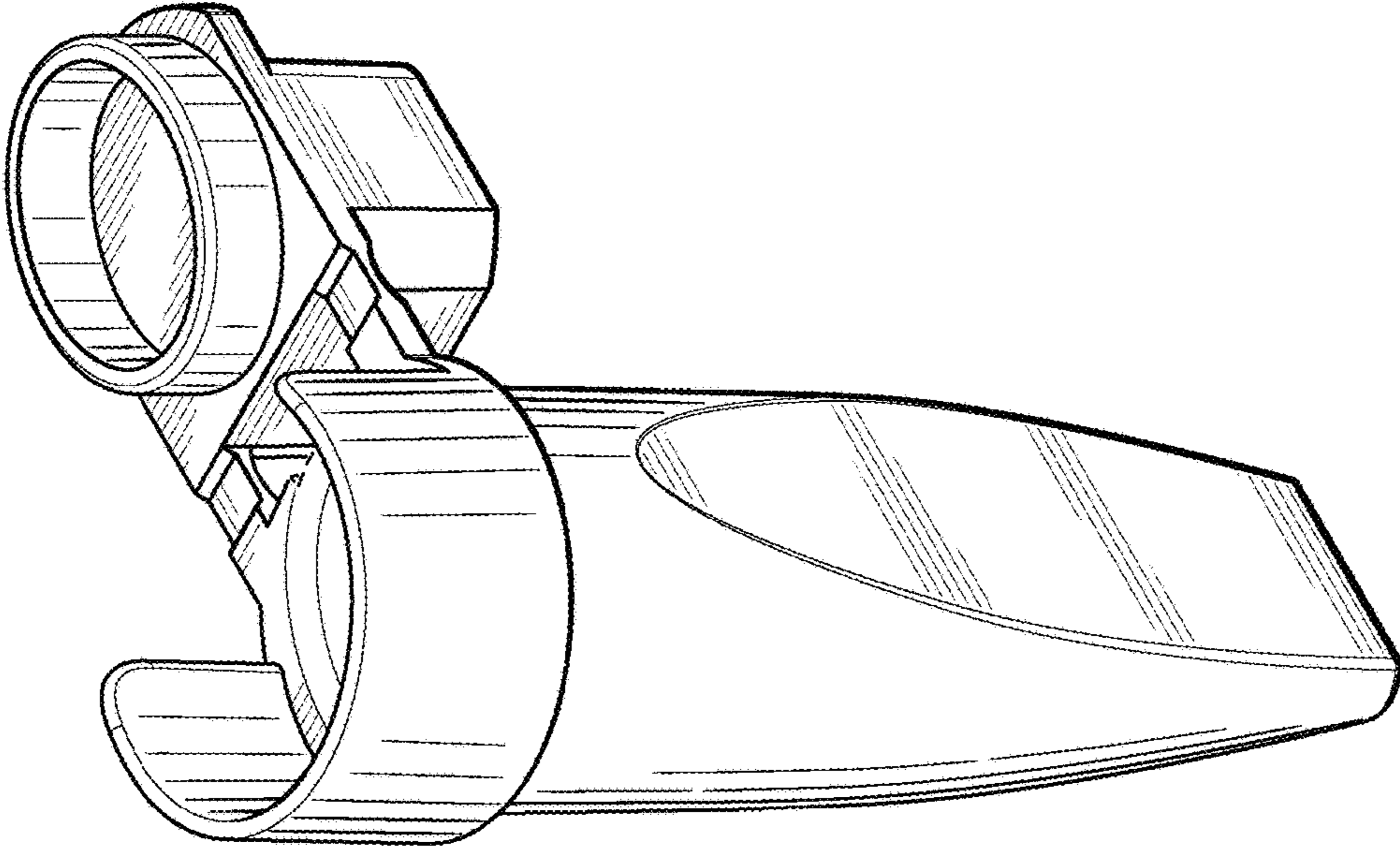


FIG. 2

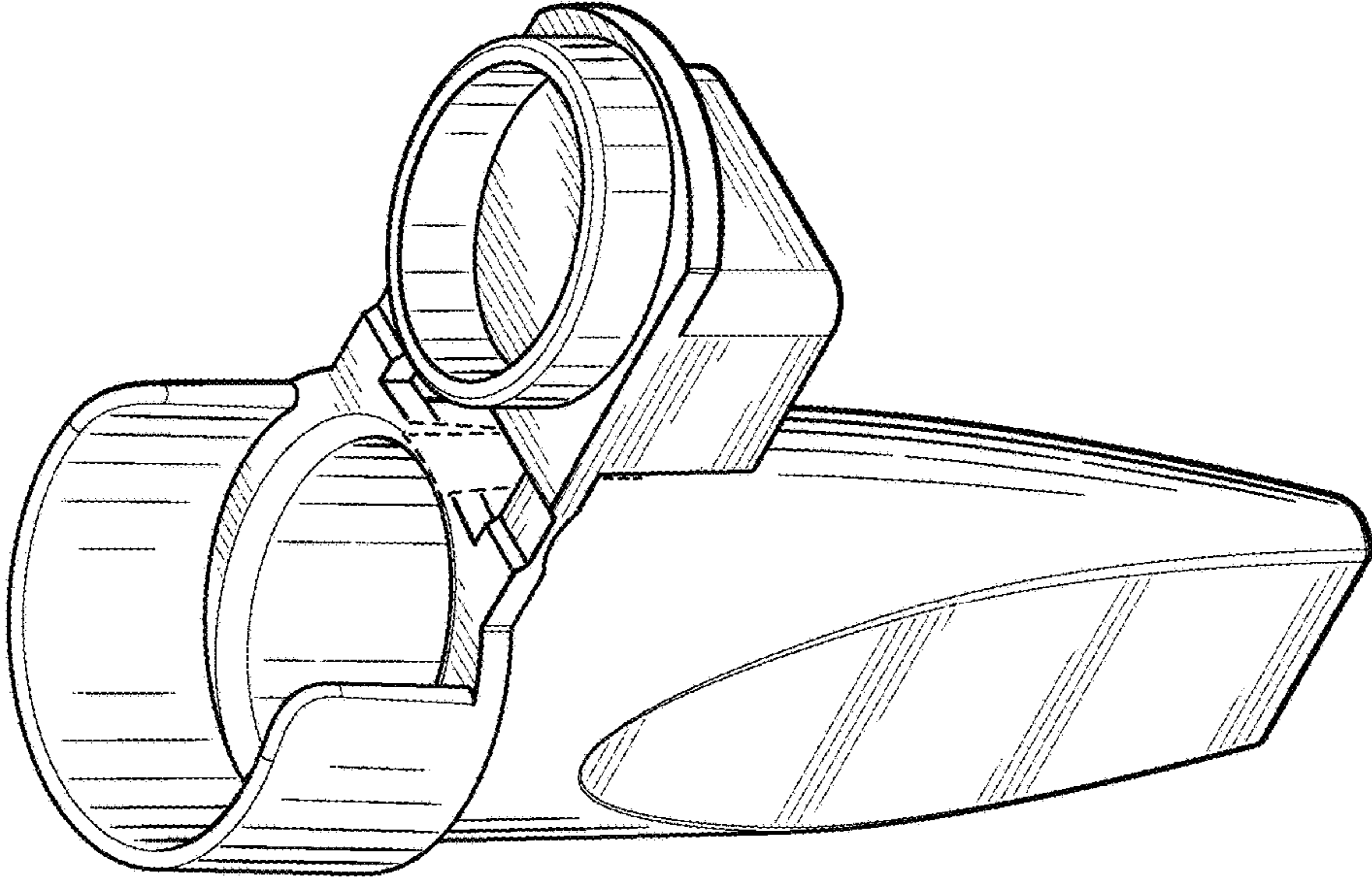


FIG. 1



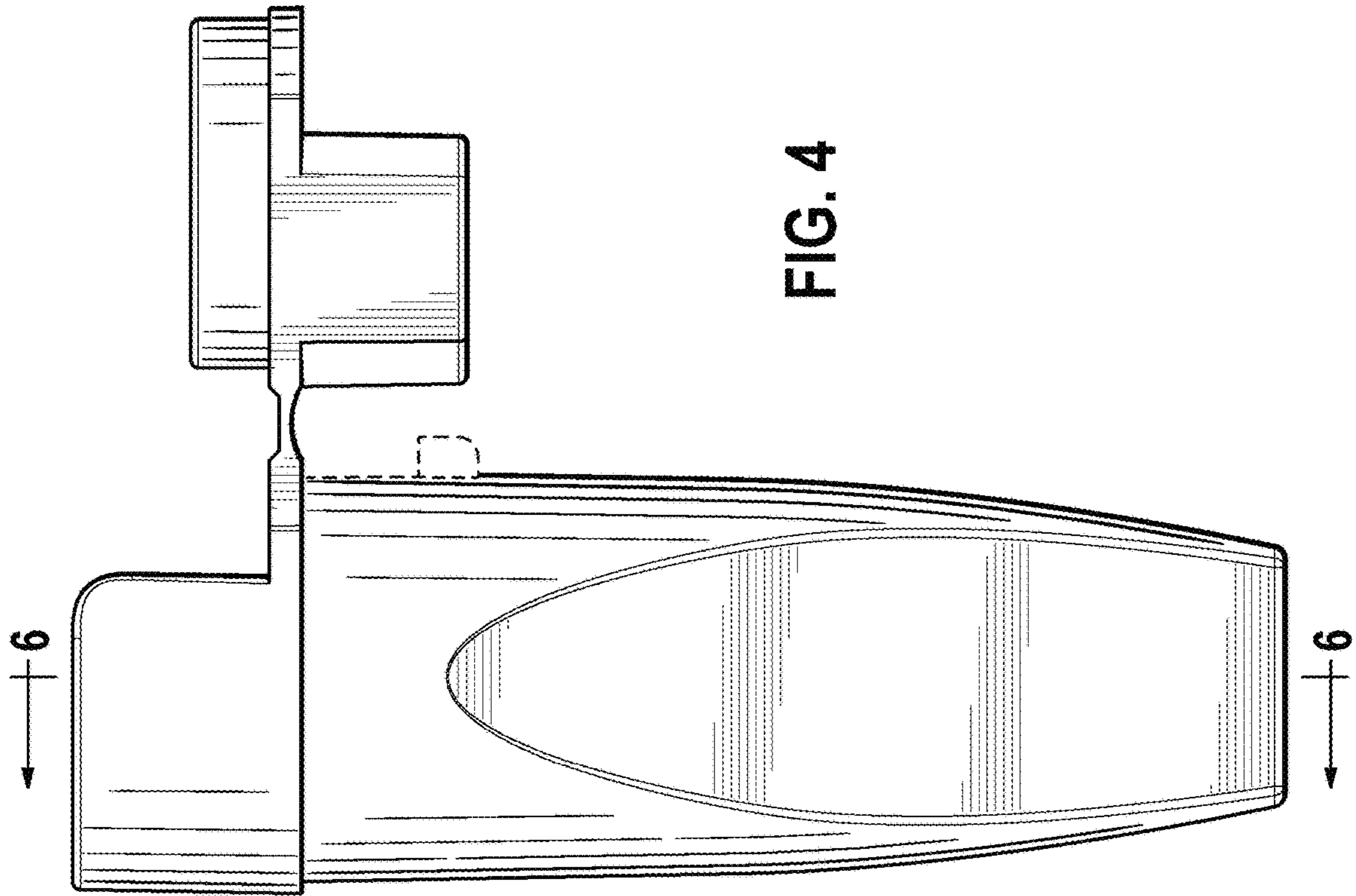


FIG. 4

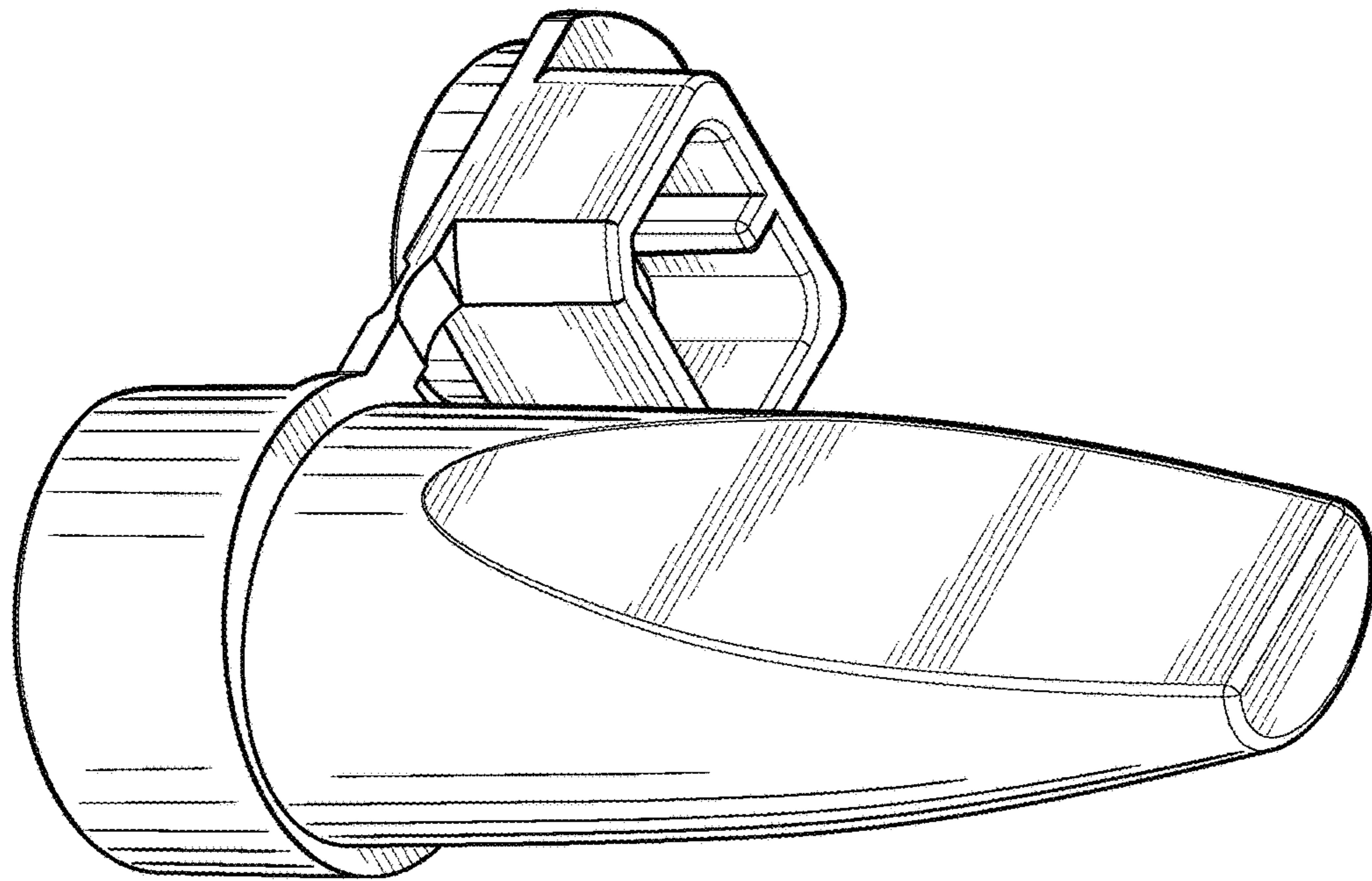


FIG. 3

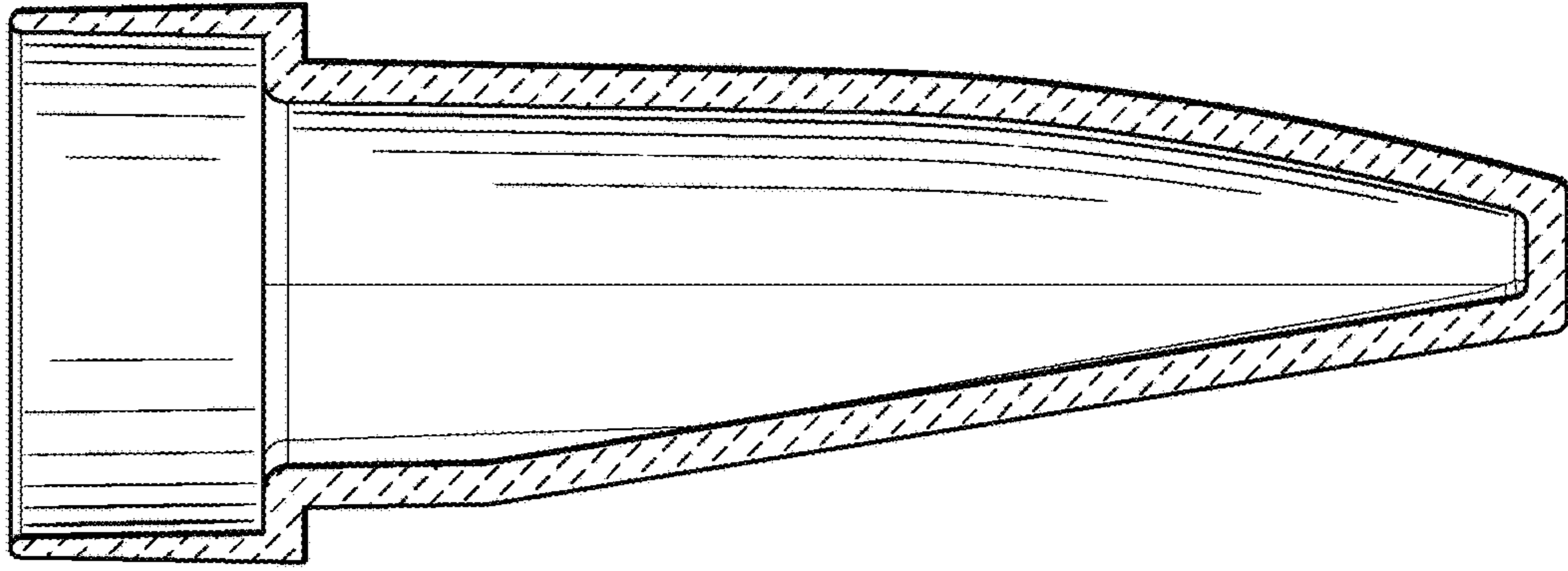


FIG. 6

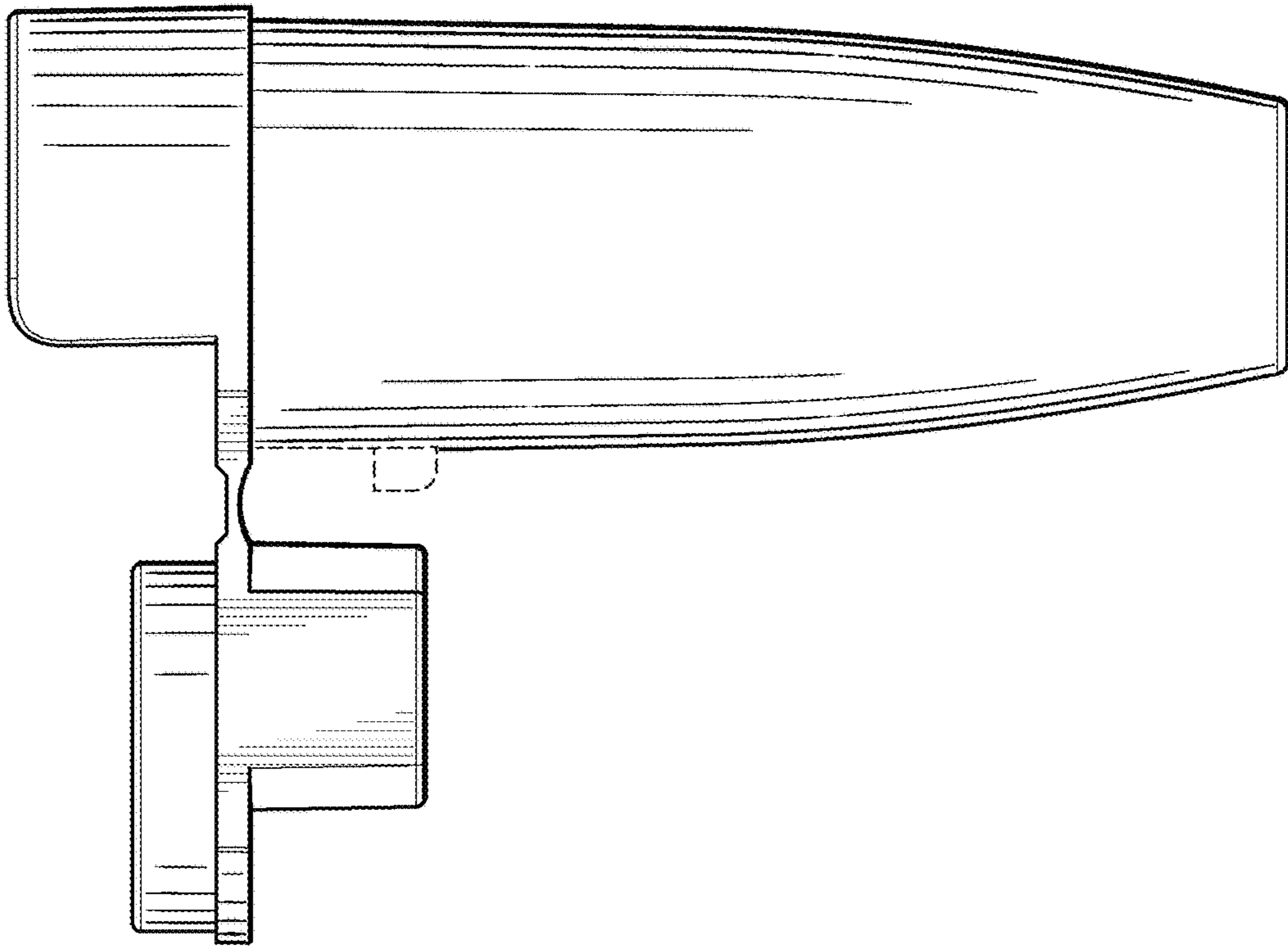


FIG. 5

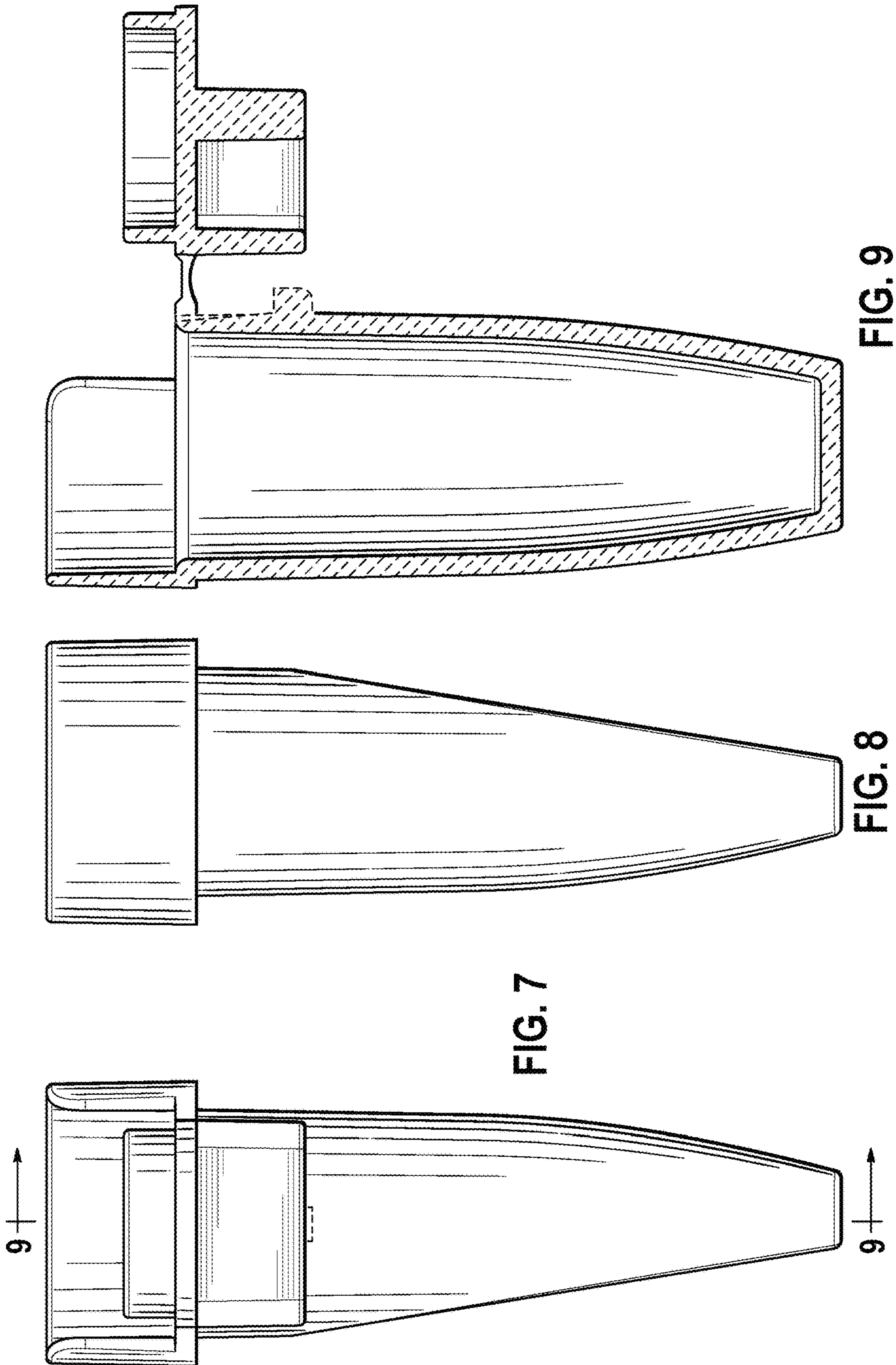


FIG. 7

FIG. 9

FIG. 8

9

9

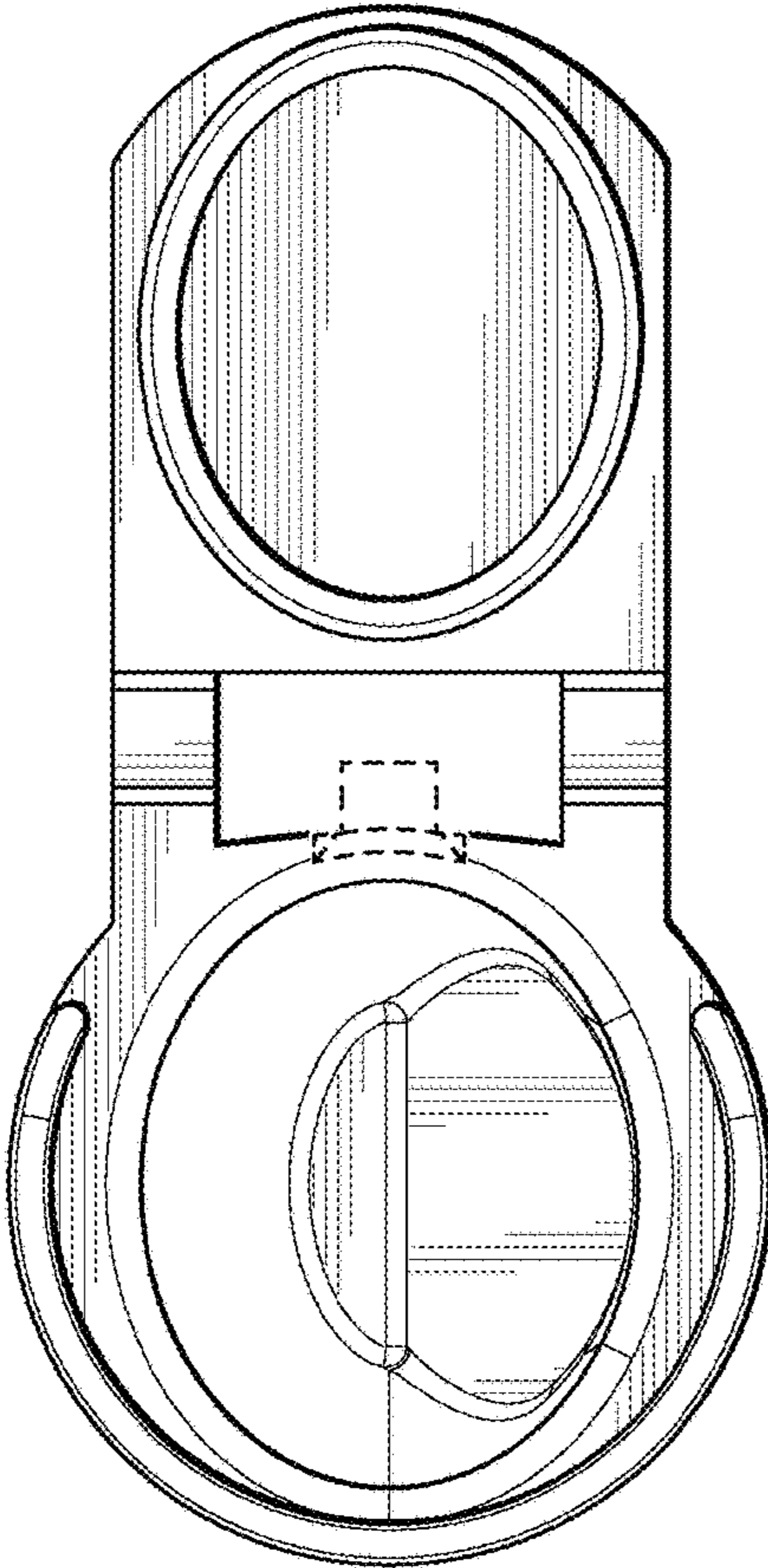


FIG. 10

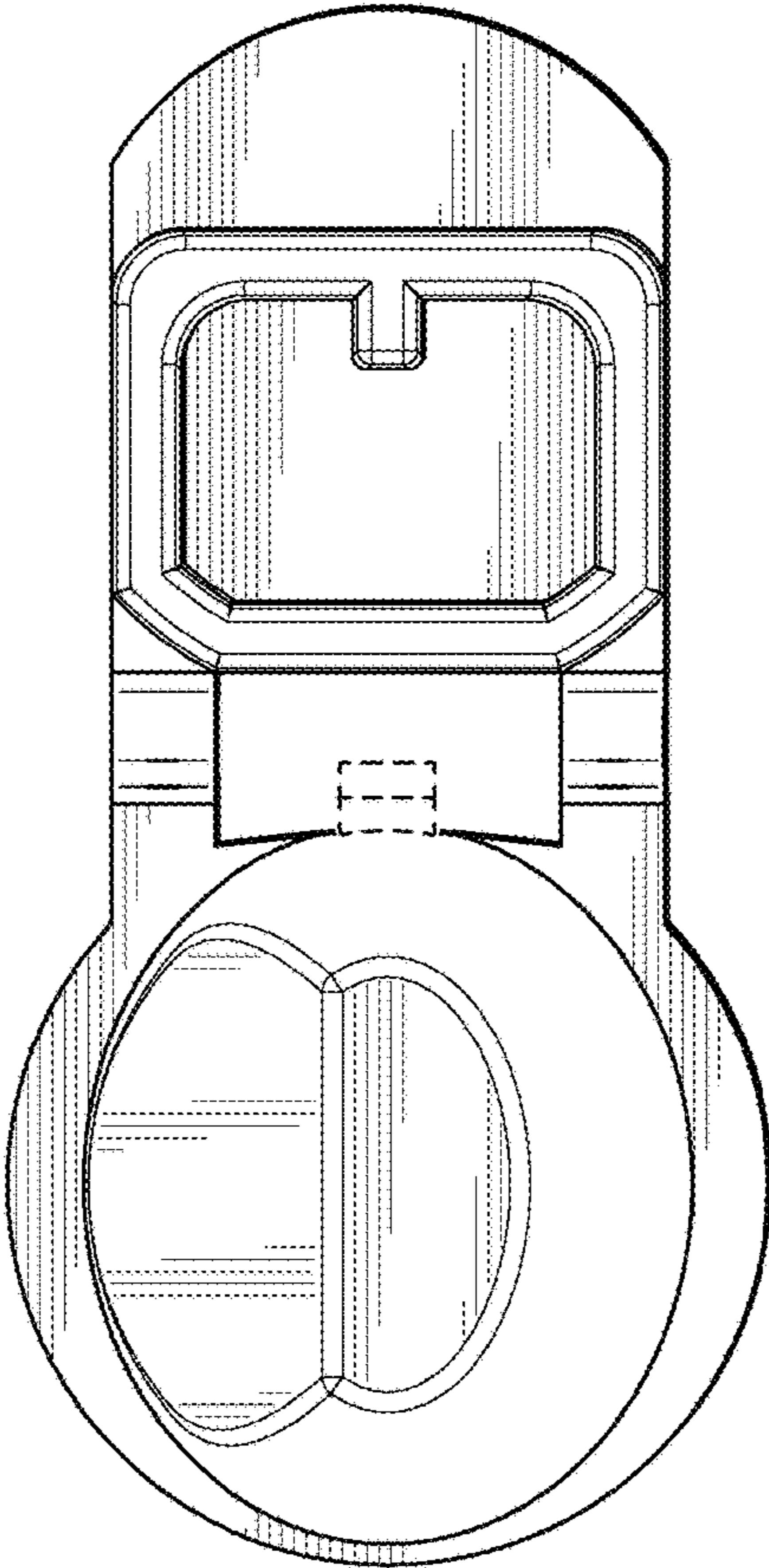


FIG. 11



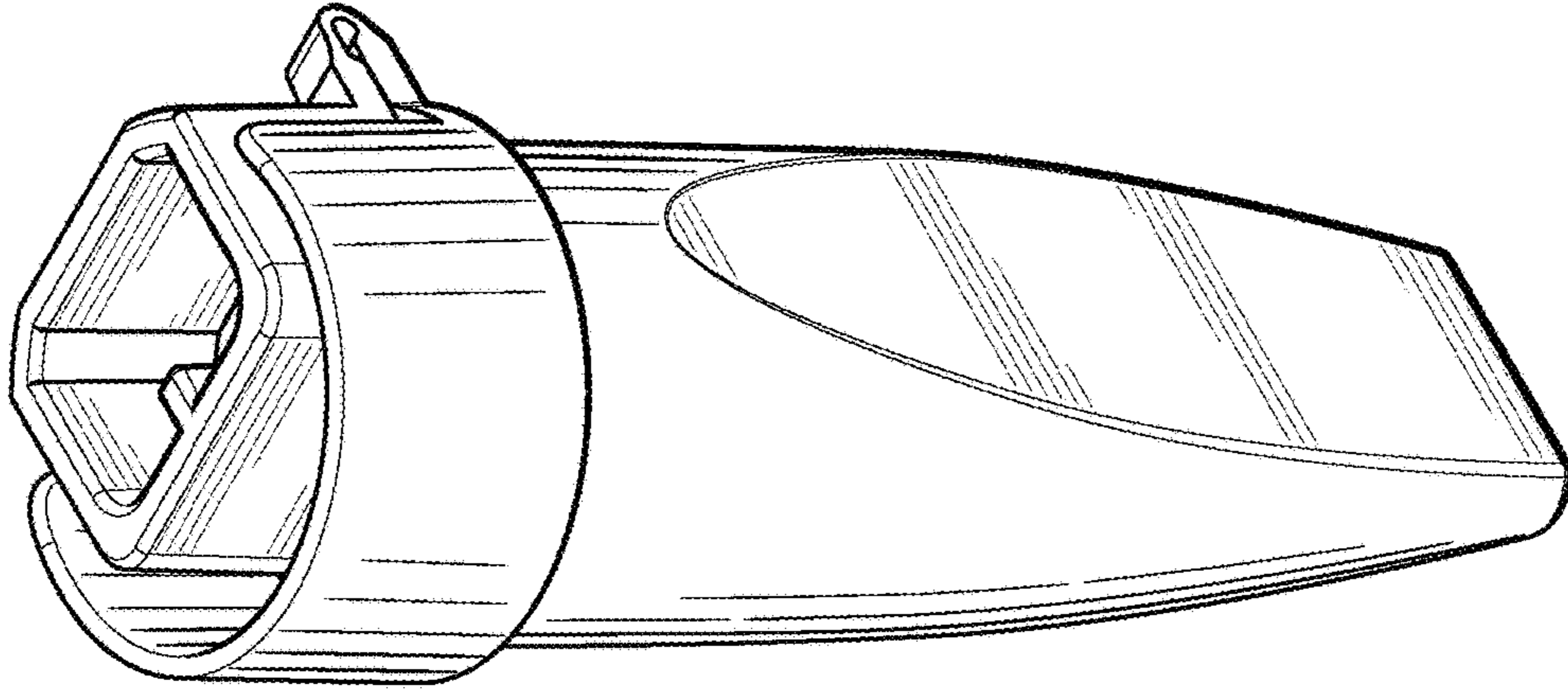


FIG. 13

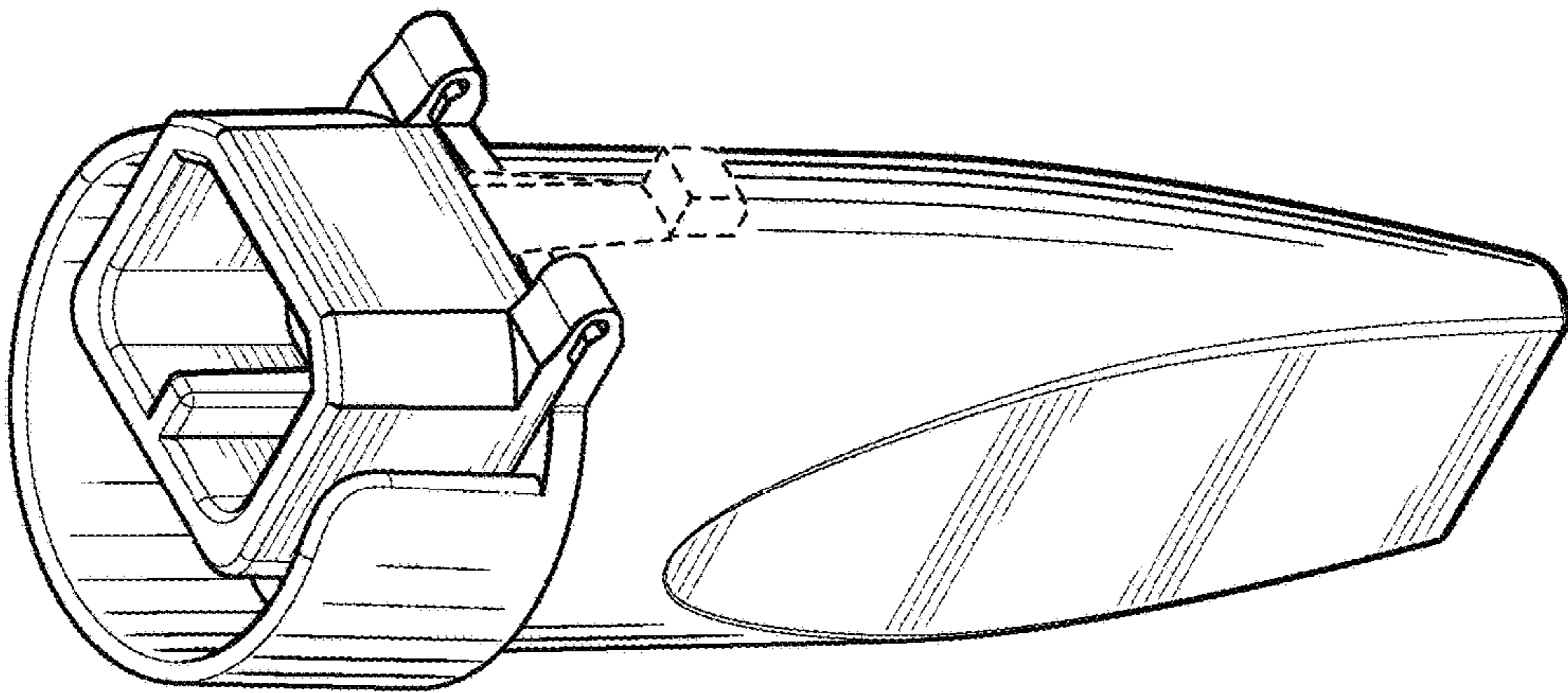


FIG. 12



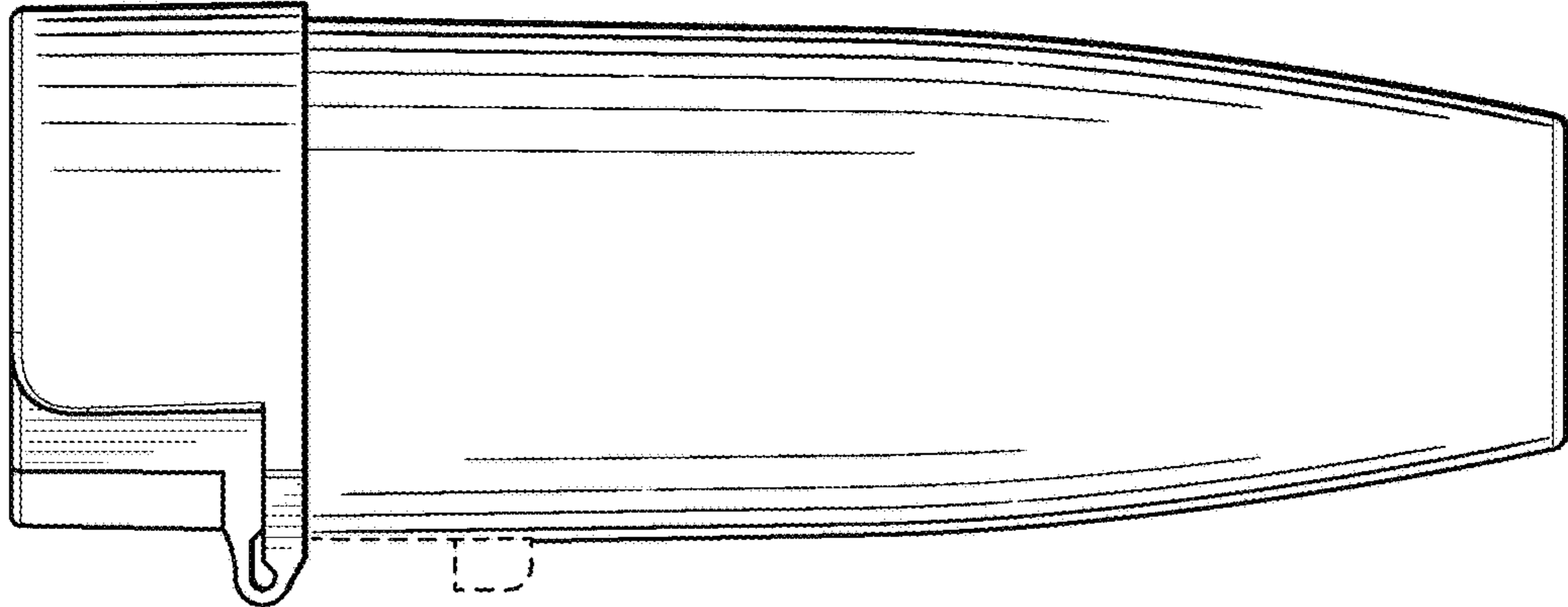


FIG. 16

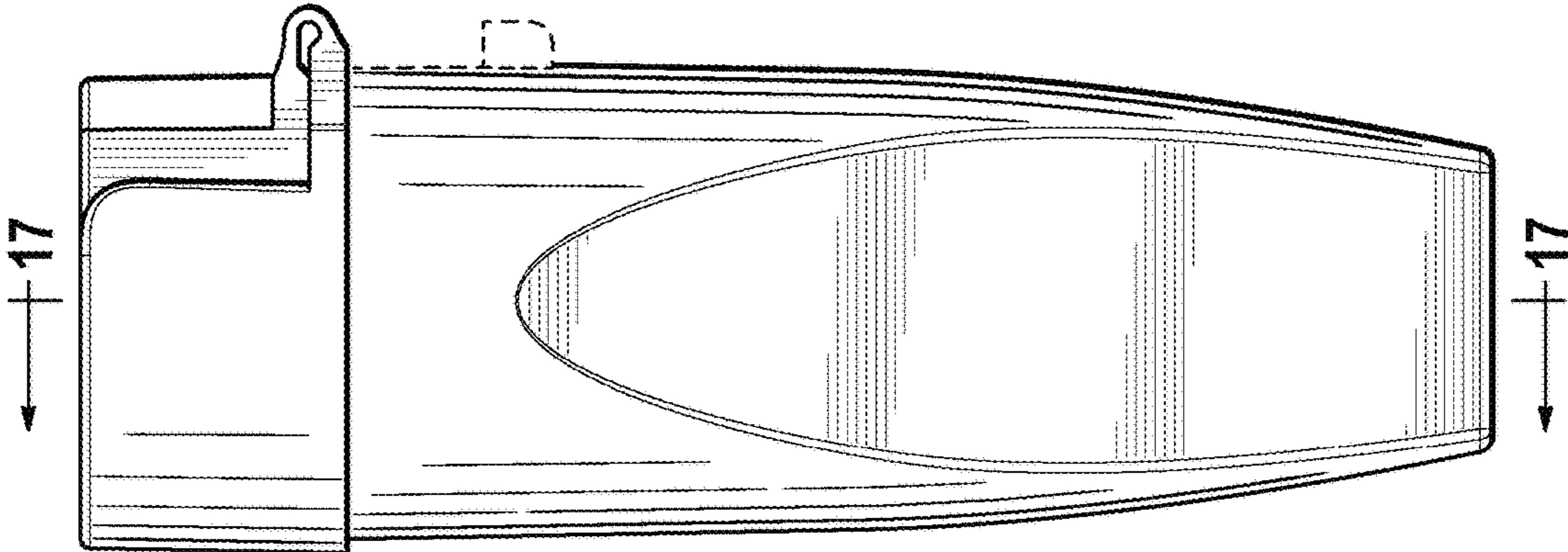


FIG. 15

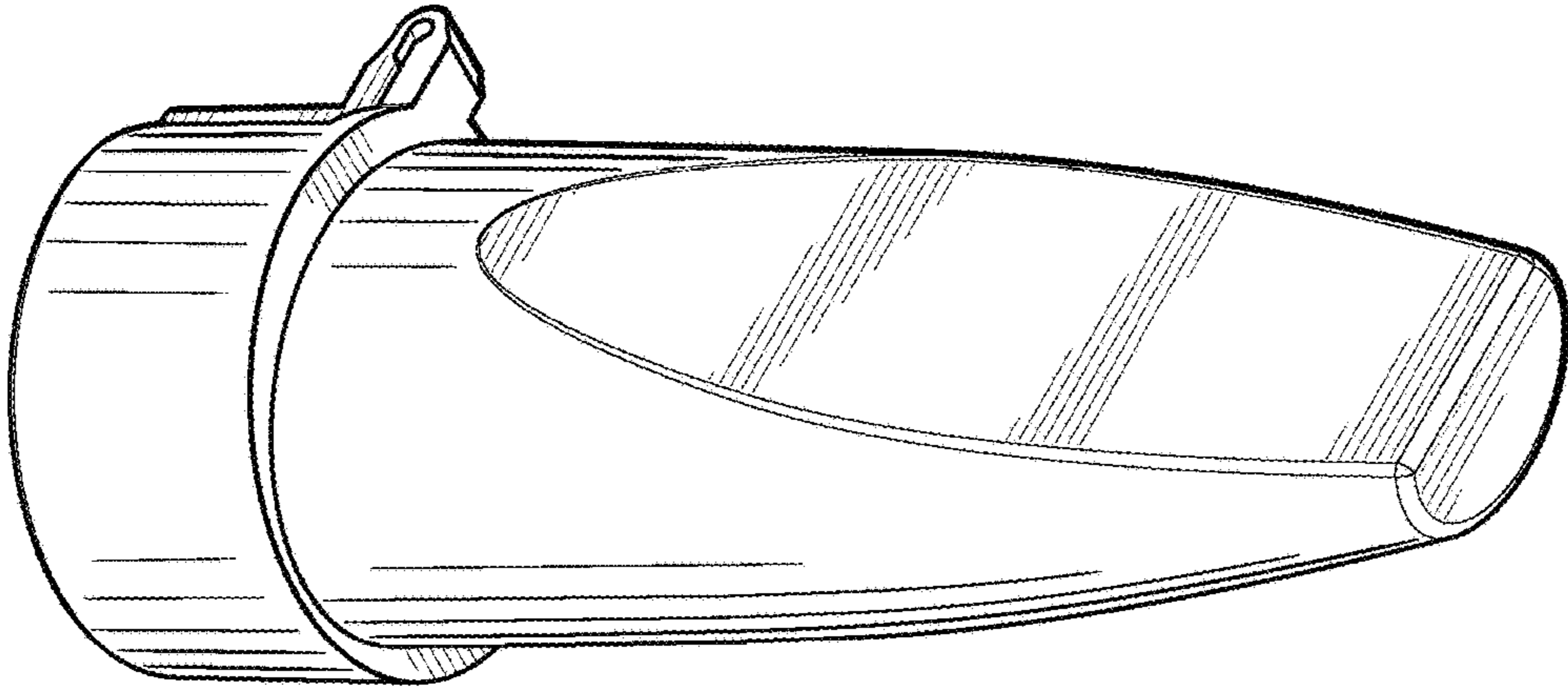


FIG. 14

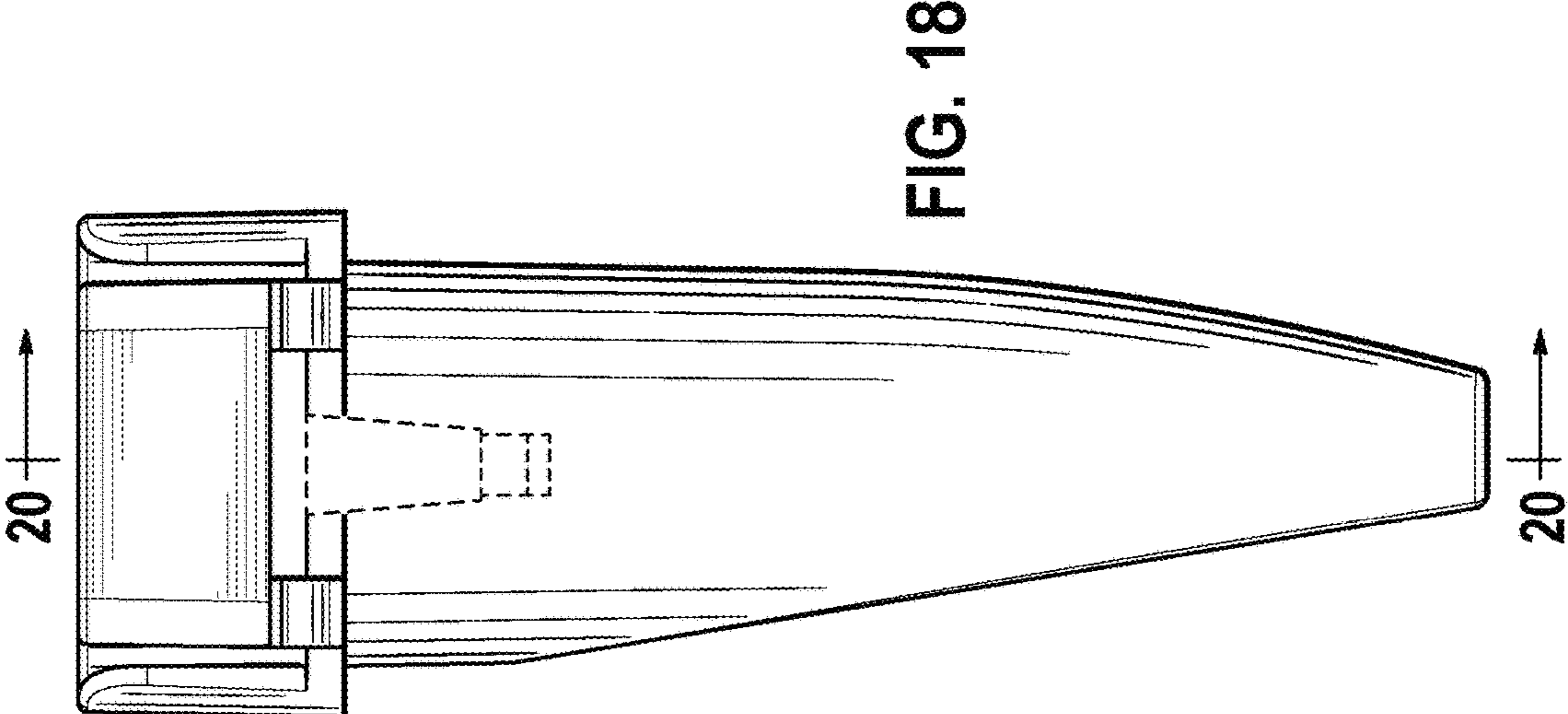


FIG. 18

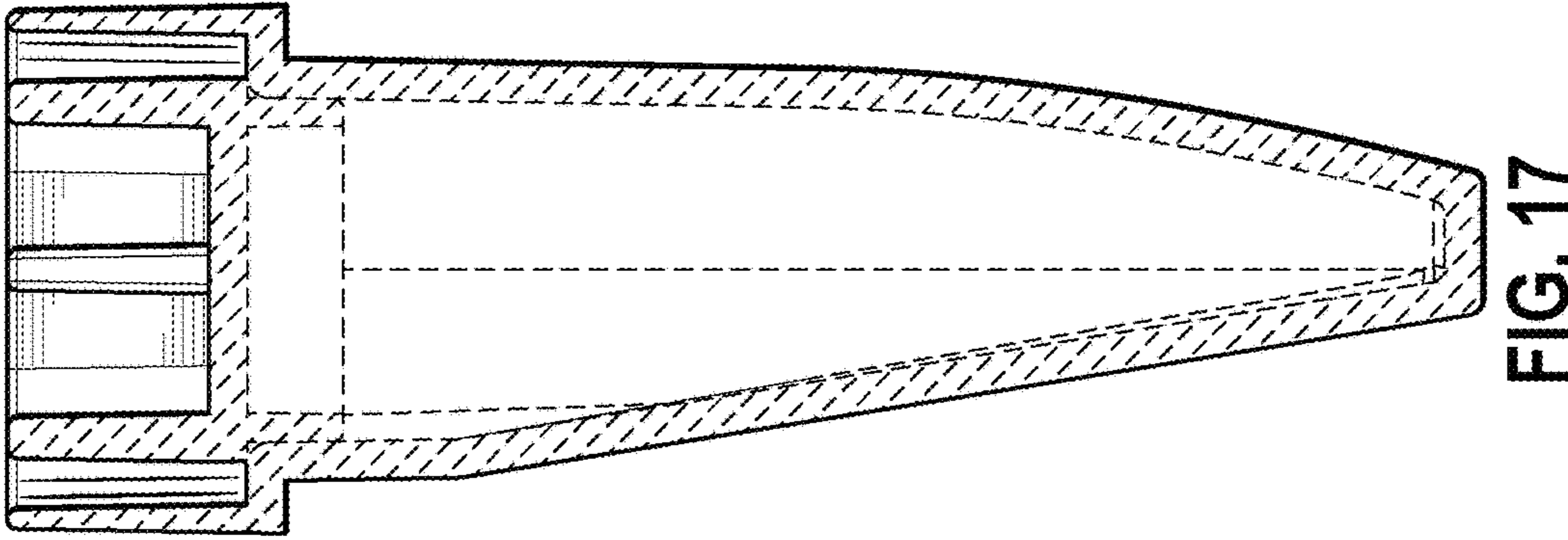


FIG. 17

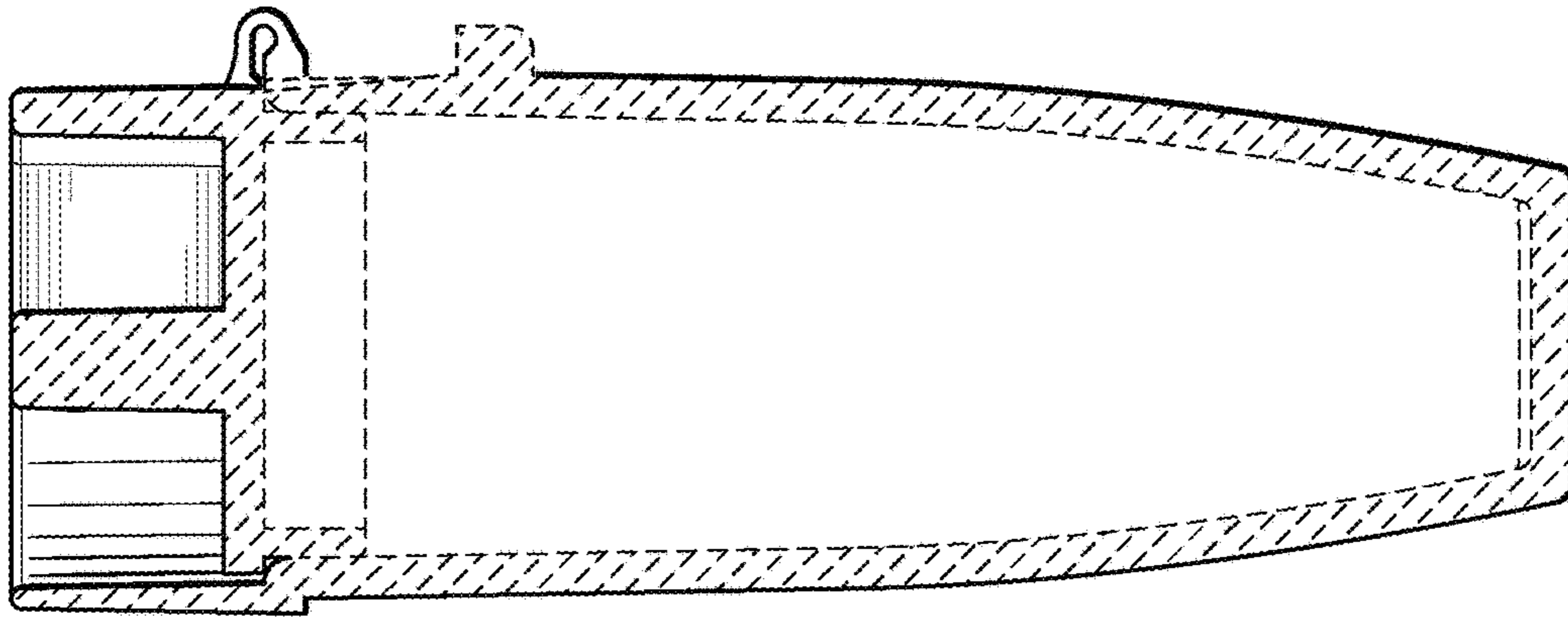


FIG. 20

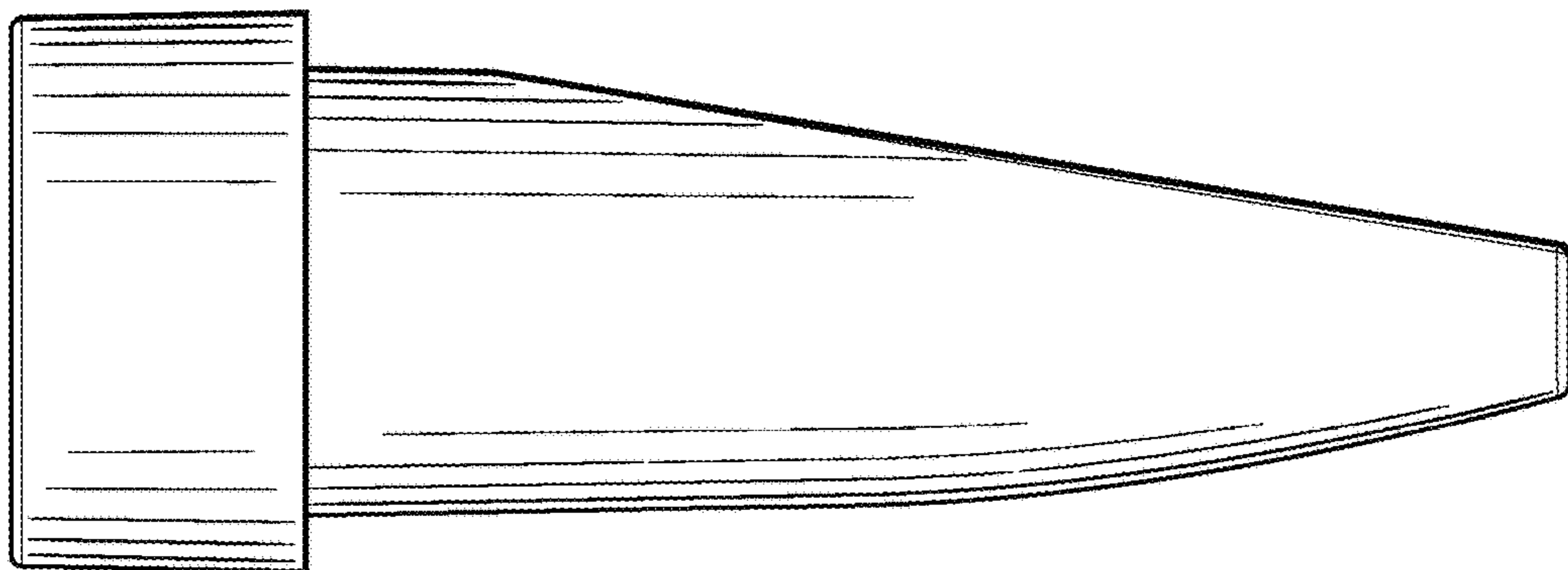


FIG. 19



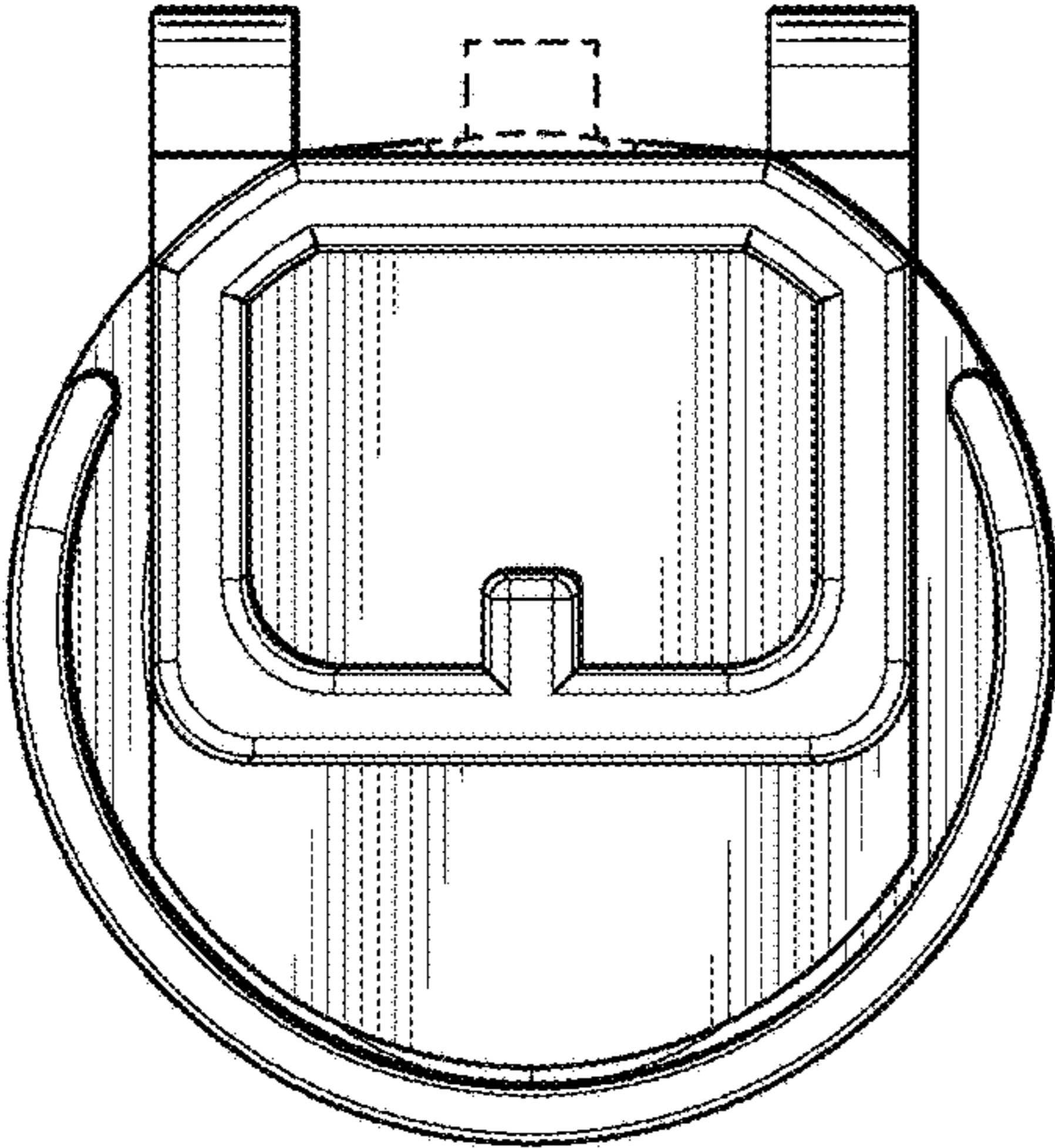


FIG. 21

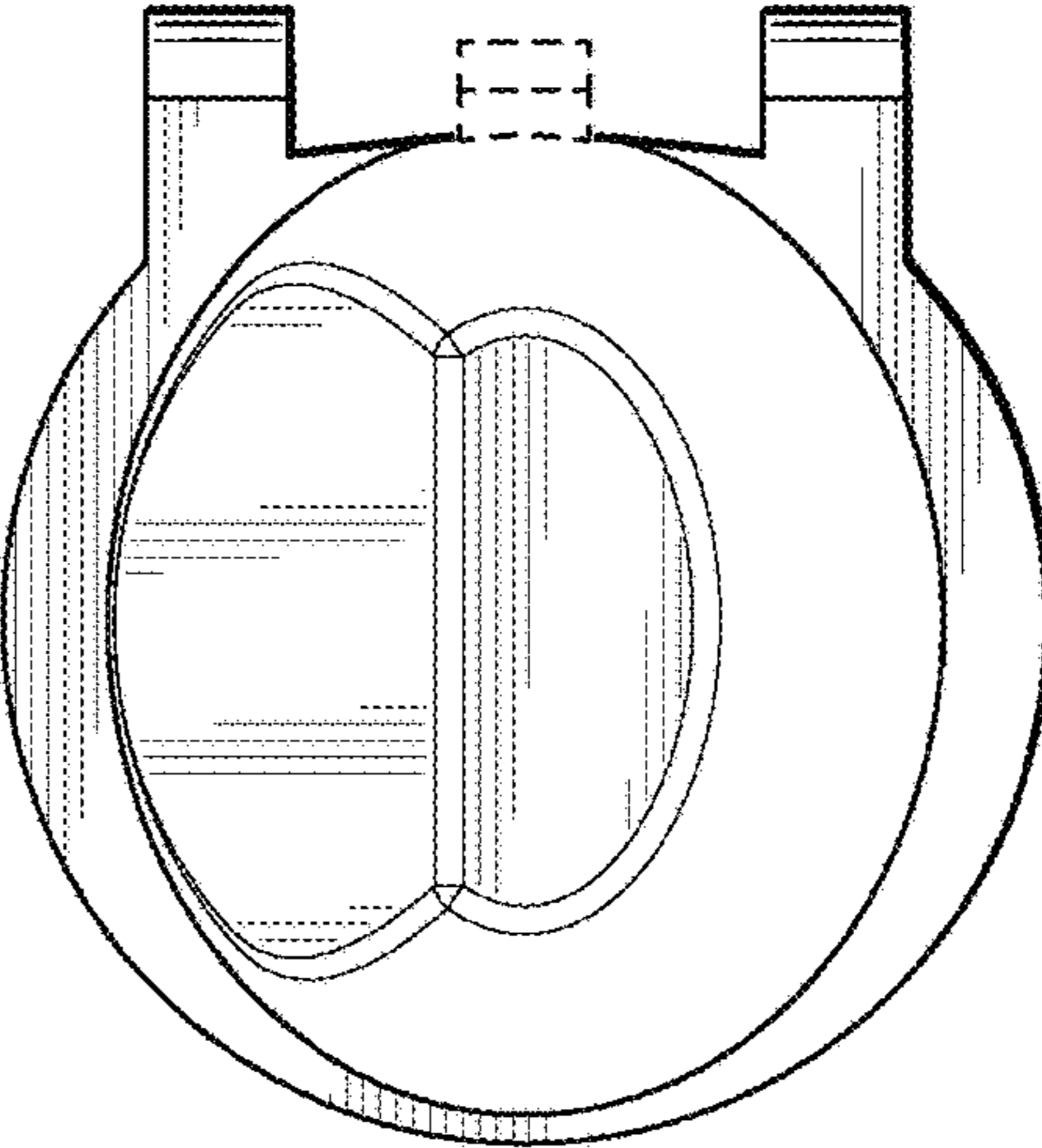


FIG. 22