



US00D833638S

(12) **United States Design Patent**
Tominaga

(10) **Patent No.:** **US D833,638 S**

(45) **Date of Patent:** **** *Nov. 13, 2018**

- (54) **DESKTOP CENTRIFUGE**
- (71) Applicant: **Tomy Kogyo Co., Ltd.**, Tokyo (JP)
- (72) Inventor: **Kenjiro Tominaga**, Tokyo (JP)
- (73) Assignee: **TOMY KOGYO CO., LTD.**, Tokyo (JP)
- (*) Notice: This patent is subject to a terminal disclaimer.

D343,904 S *	2/1994	Silver	D24/219
D437,418 S *	2/2001	Suzuki	D24/219
6,390,965 B1 *	5/2002	Matsushima	B04B 5/0414 494/16
6,805,843 B2 *	10/2004	Tsukui	G01N 1/2813 422/551
D525,890 S *	8/2006	Inagaki	D10/81
7,419,464 B2 *	9/2008	Matusima	B04B 9/08 403/322.2
D689,193 S *	9/2013	Shinohara	D24/216
2010/0217940 A1 *	8/2010	Shibutani	B04B 13/00 711/153

(**) Term: **15 Years**

* cited by examiner

(21) Appl. No.: **29/559,481**

Primary Examiner — Anhdao Doan

(22) Filed: **Mar. 29, 2016**

(74) *Attorney, Agent, or Firm* — Bacon & Thomas, PLLC

(30) **Foreign Application Priority Data**

Oct. 15, 2015 (JP) 2015-022732

(51) **LOC (11) Cl.** **24-01**

(52) **U.S. Cl.**
USPC **D24/219**

(58) **Field of Classification Search**
USPC D24/216–219, 186, 231, 232; D10/81
CPC G01N 9/30; G01N 15/042; G01N 33/491;
B04B 7/02; B04B 15/02
See application file for complete search history.

(56) **References Cited**

U.S. PATENT DOCUMENTS

3,970,245 A *	7/1976	Aeschlimann	B04B 5/0414 494/11
D303,147 S *	8/1989	Ota	D24/219
D329,902 S *	9/1992	Kim	D24/219
D335,930 S *	5/1993	Tominaga	D24/219

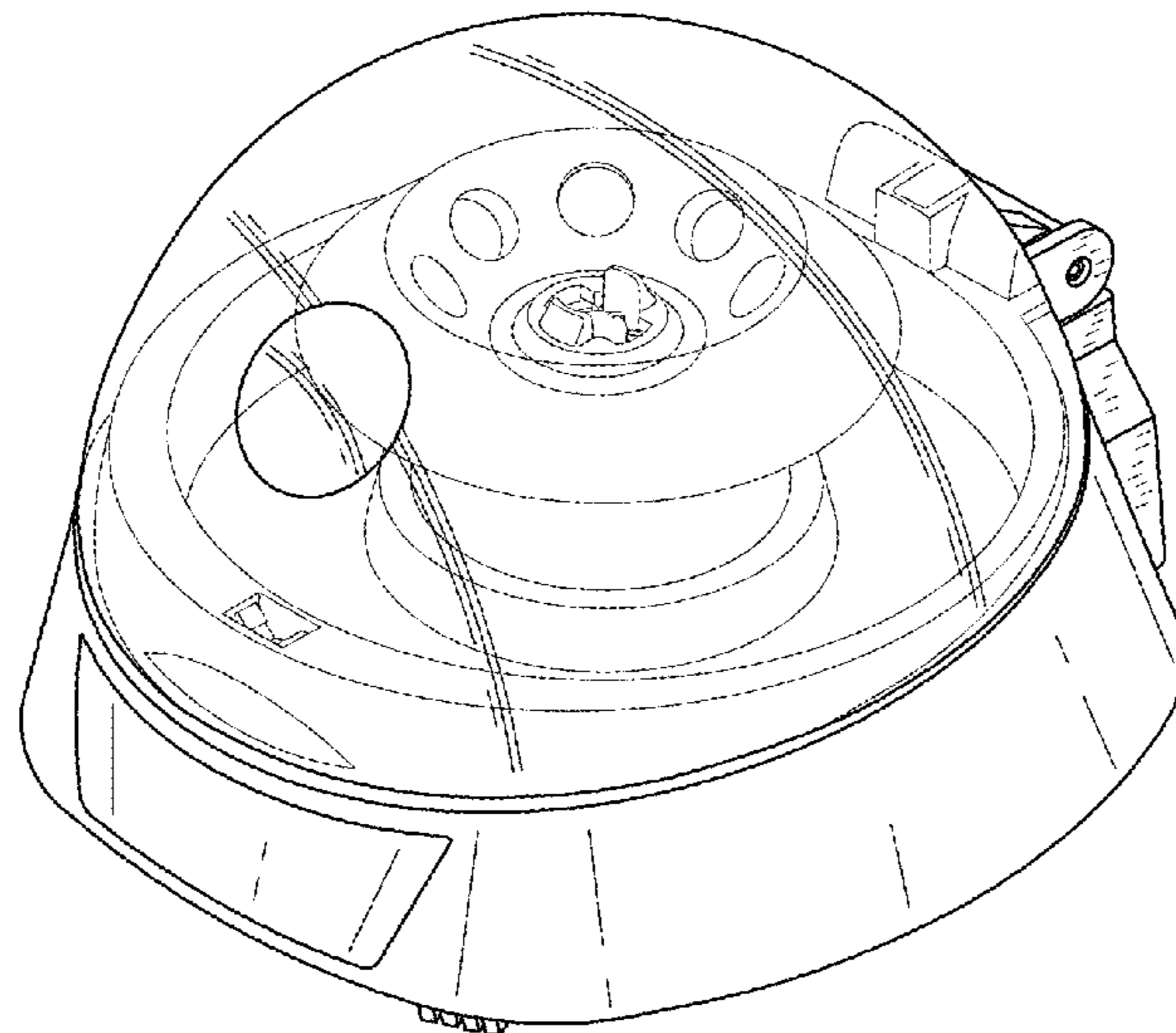
(57) **CLAIM**

The ornamental design for a desktop centrifuge, as shown and described.

DESCRIPTION

FIG. 1 is a top perspective view of the design for a desktop centrifuge according to the present disclosure; FIG. 2 is a top plan view thereof; FIG. 3 is a bottom plan view thereof; FIG. 4 is a front elevational view thereof; FIG. 5 is a rear elevational view thereof; FIG. 6 is a left side elevational view thereof; FIG. 7 is a right side elevational view thereof; FIG. 8 is a top perspective view with the lid open; and, FIG. 9 is a bottom perspective view with the lid open. The broken lines in FIG. 9 illustrate portion of the desktop centrifuge that forms no part of the claimed design; the broken lines form no part of the claimed design.

1 Claim, 5 Drawing Sheets



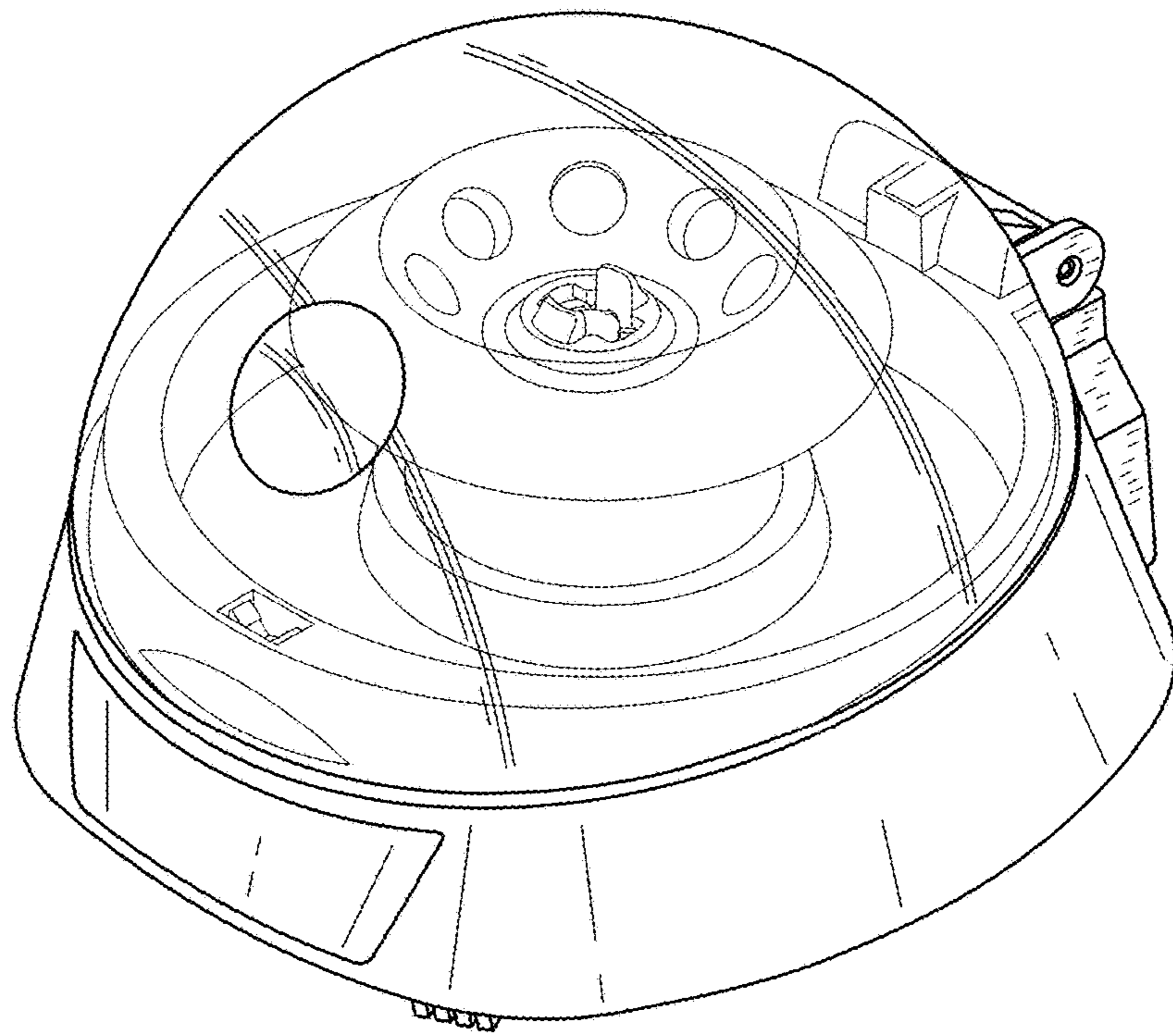


FIG. 1

FIG. 2

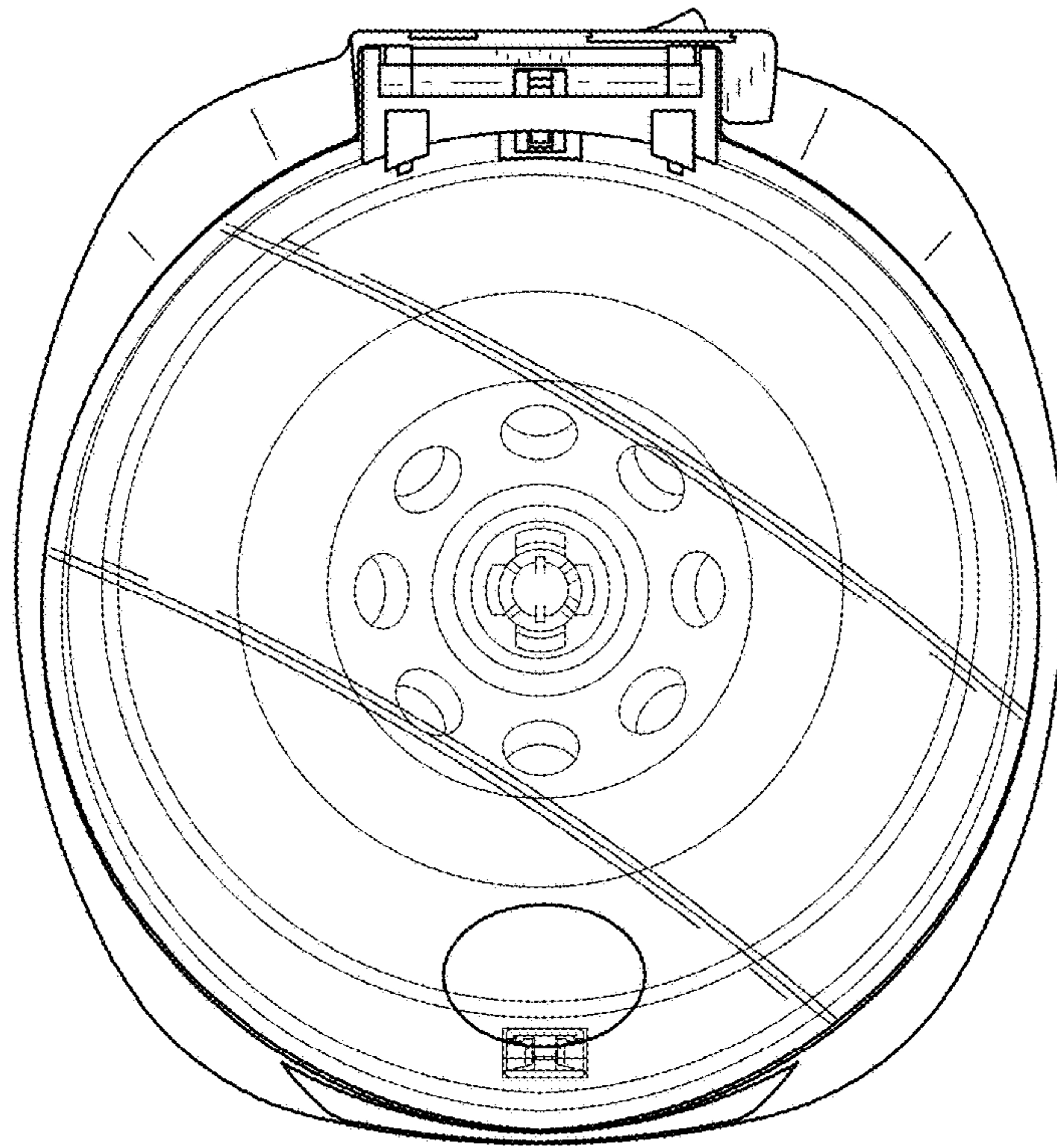
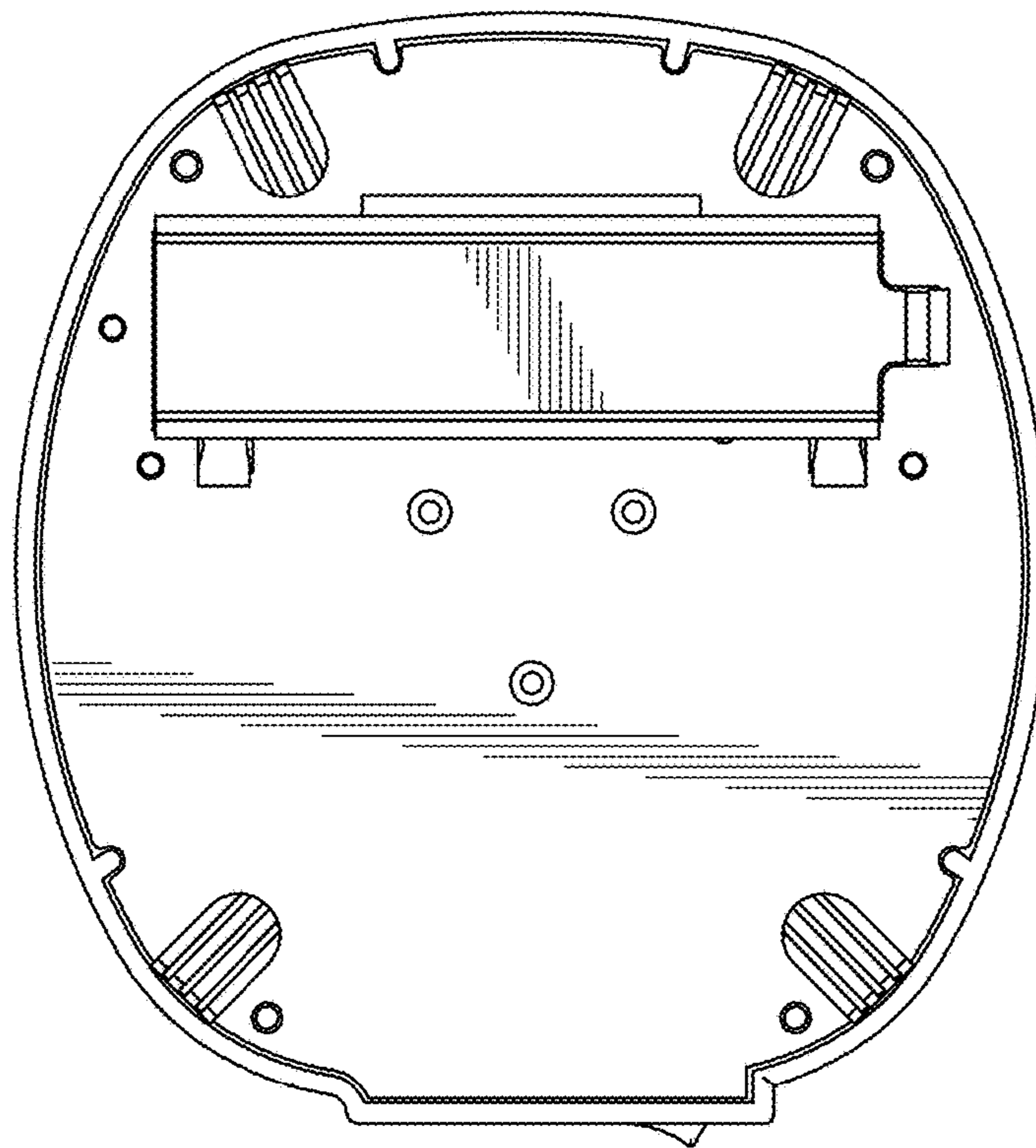


FIG. 3



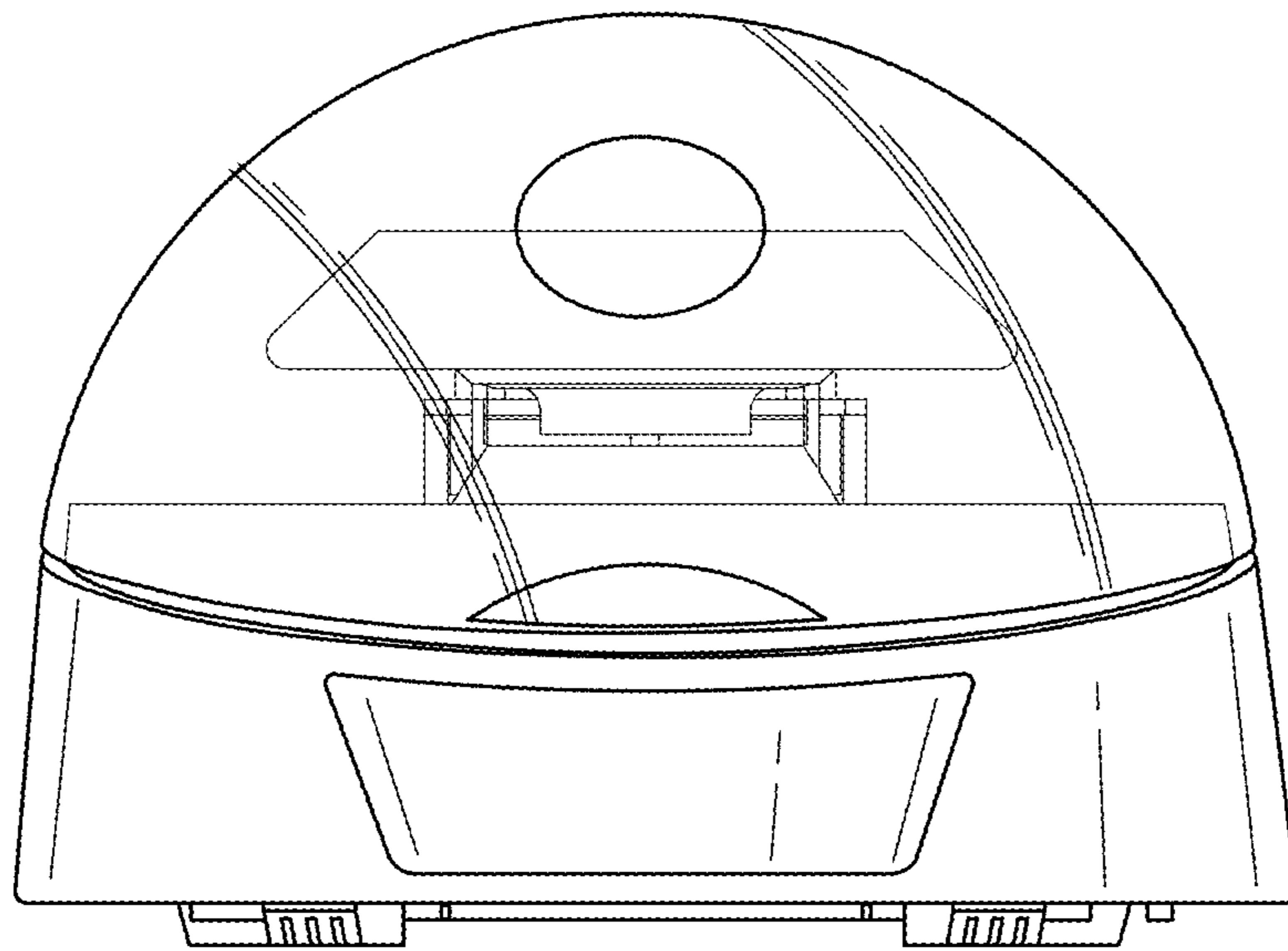


FIG. 4

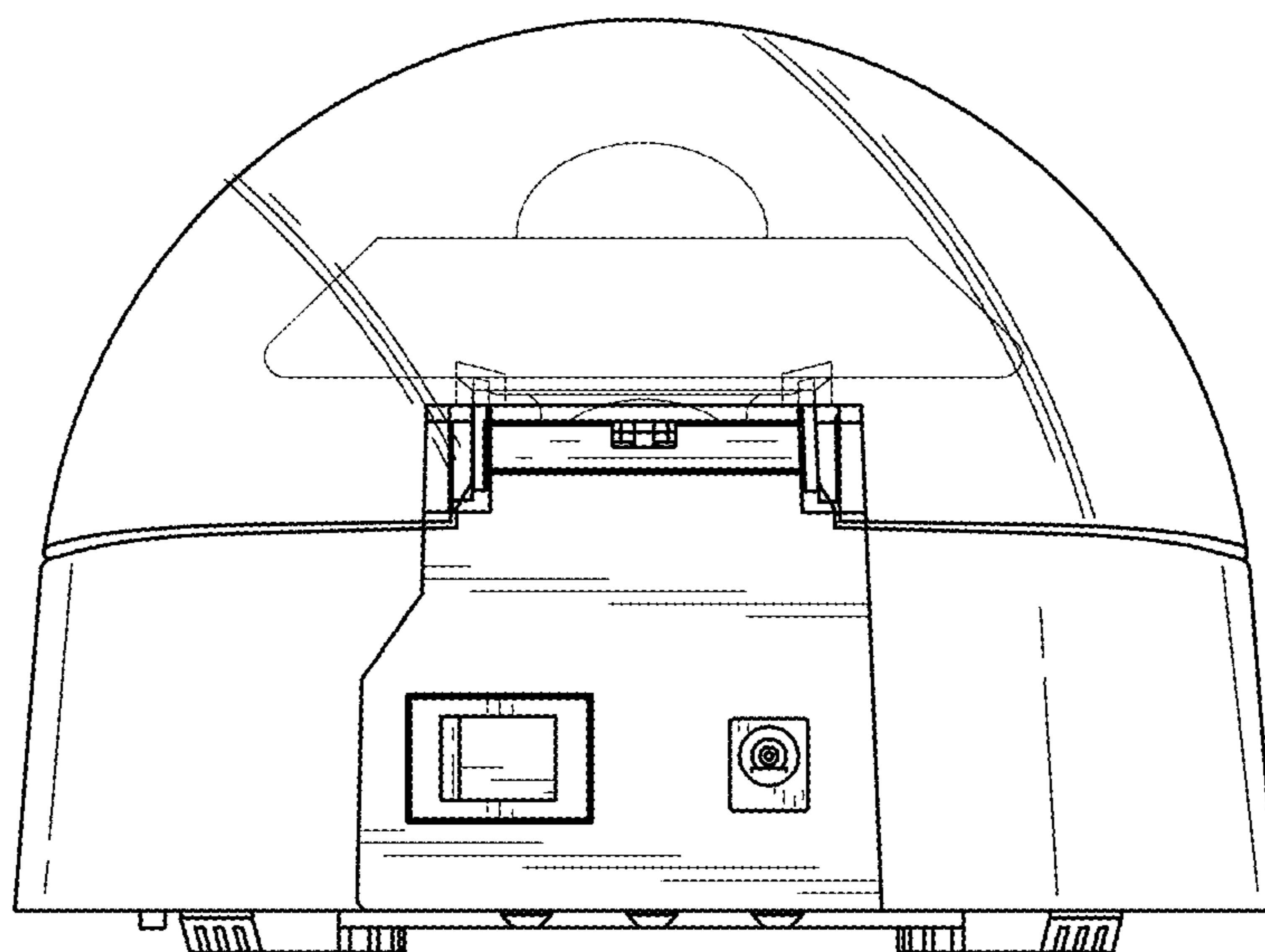


FIG. 5

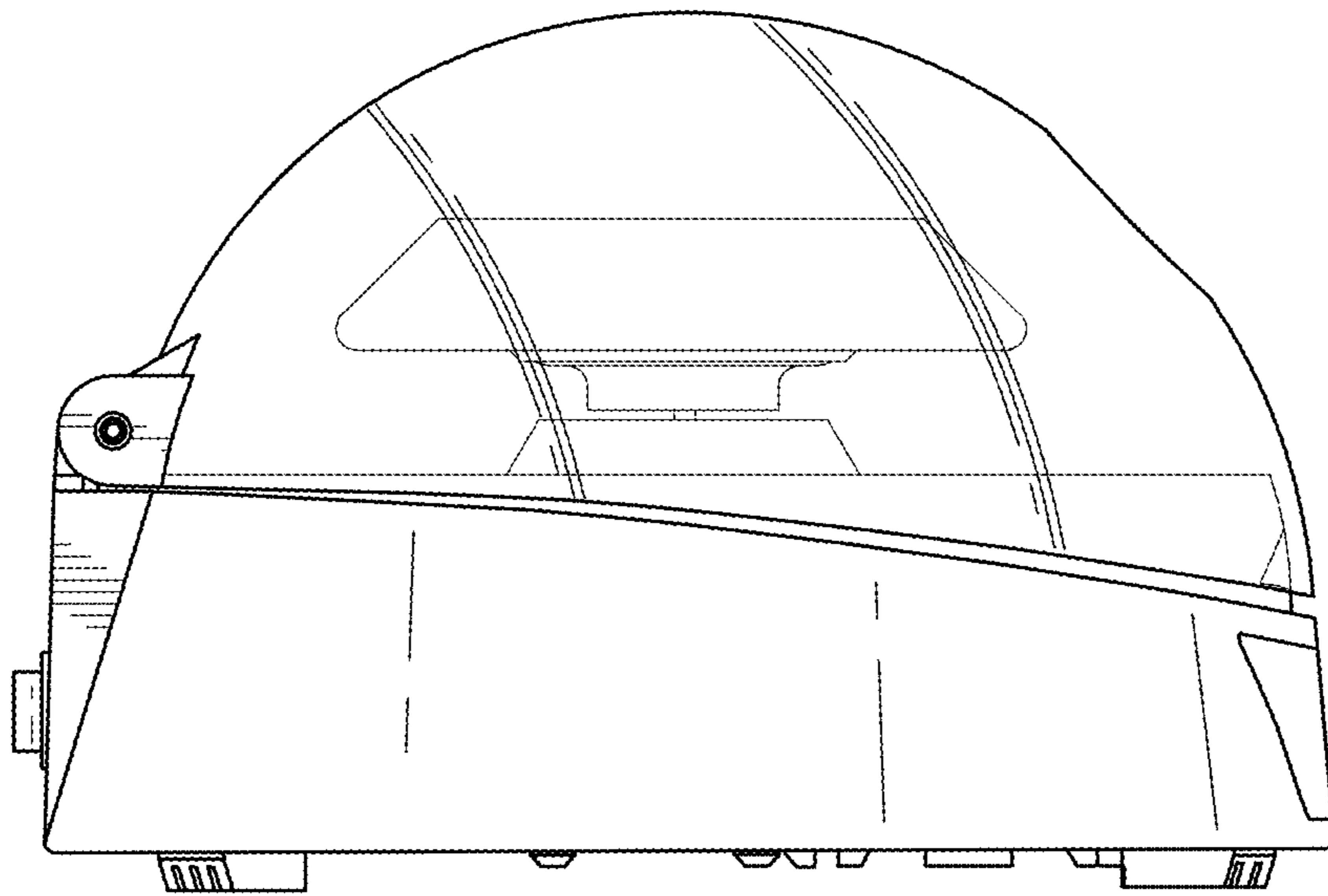


FIG. 6

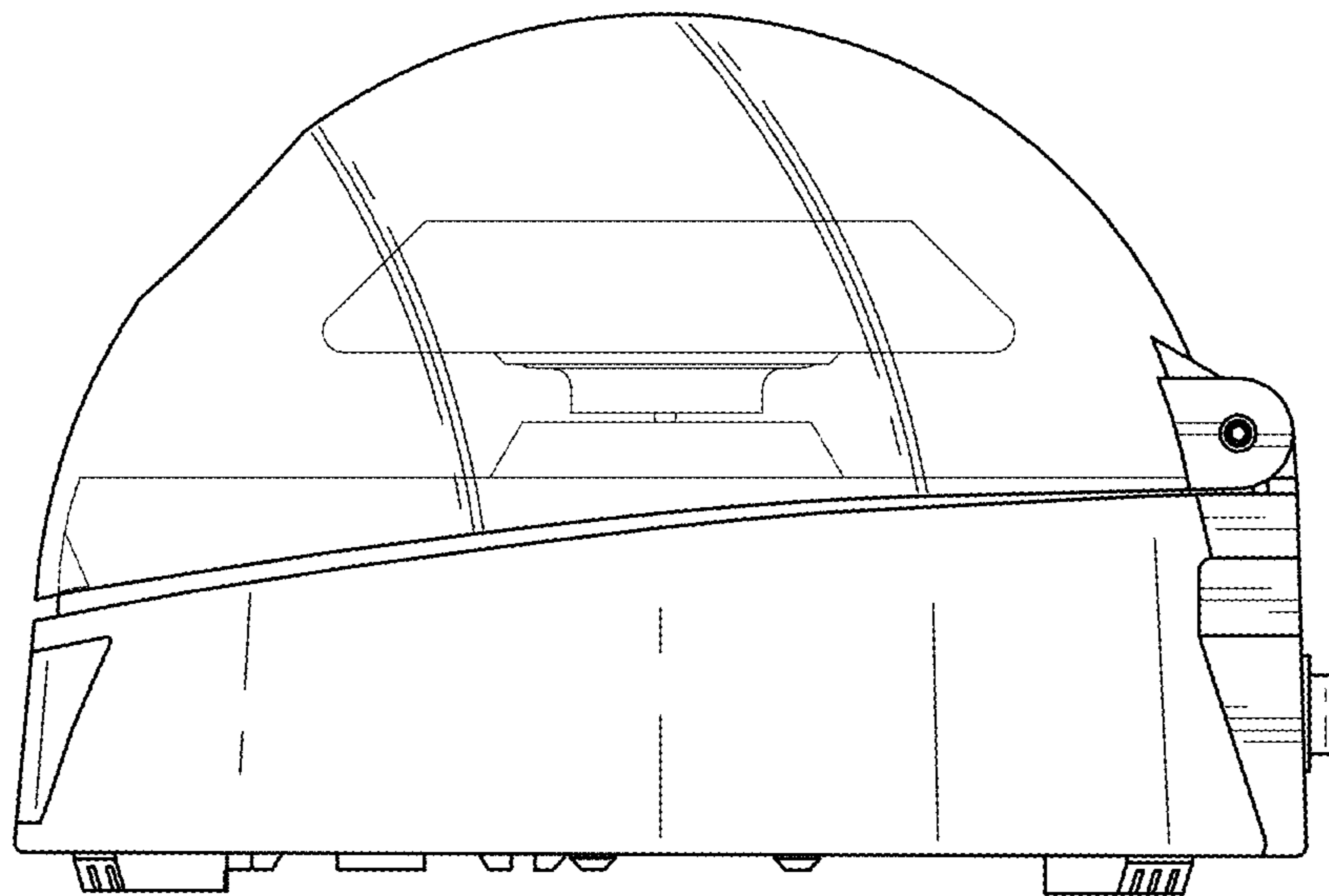


FIG. 7

FIG. 8

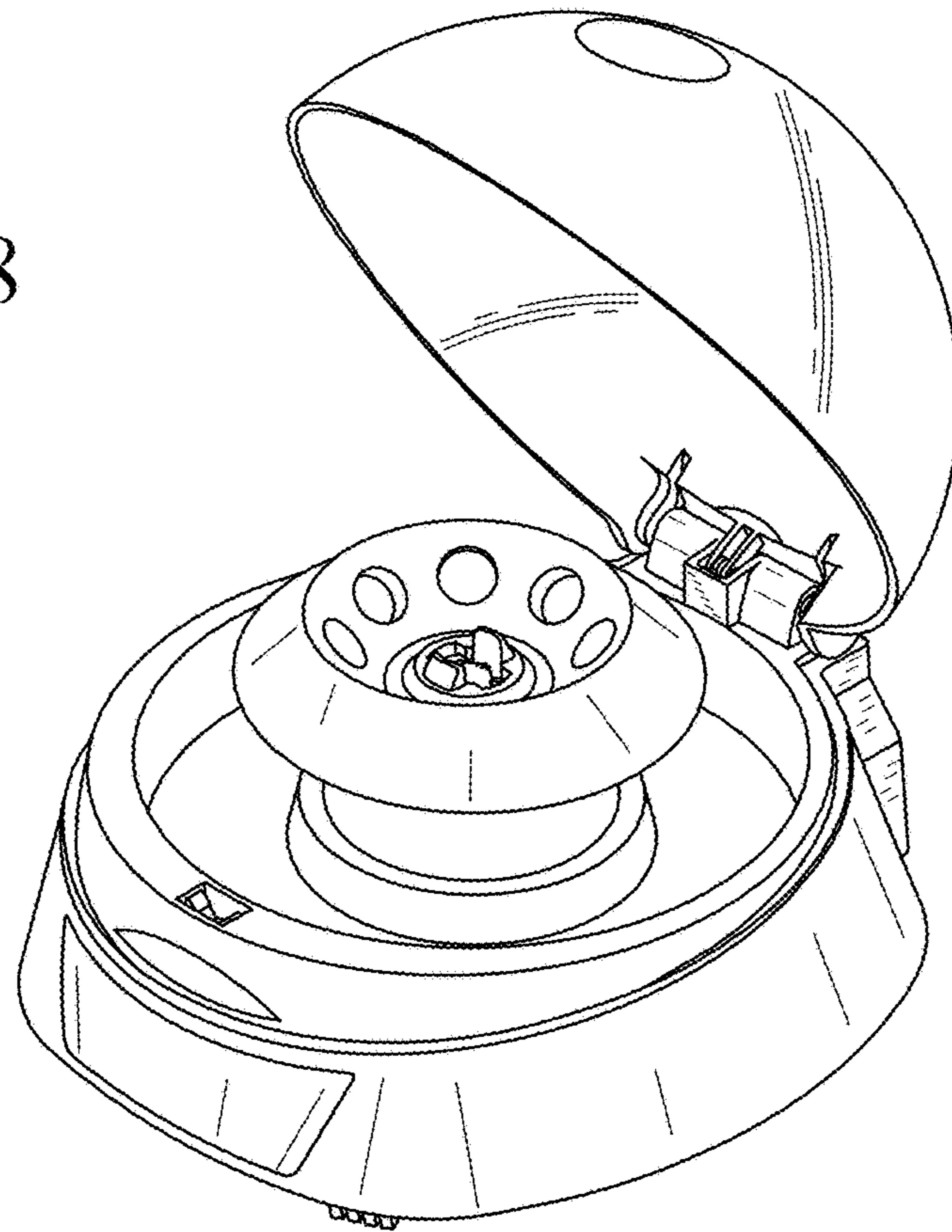


FIG. 9

