



US00D833635S

(12) **United States Design Patent** (10) **Patent No.:** **US D833,635 S**
Chen (45) **Date of Patent:** **** Nov. 13, 2018**

(54) **MESSAGE ROLLER**
(71) Applicant: **Chiu-Ping Chen**, Taichung (TW)
(72) Inventor: **Chiu-Ping Chen**, Taichung (TW)
(**) Term: **15 Years**
(21) Appl. No.: **29/603,499**
(22) Filed: **May 10, 2017**
(51) **LOC (11) Cl.** **28-03**
(52) **U.S. Cl.**
USPC **D24/214**
(58) **Field of Classification Search**
USPC 601/114, 118, 120, 121, 124, 125, 130,
601/131, 134, 135, 136, 137; D24/200,
D24/211, 212, 213, 214, 215; D12/114,
D12/178; D8/303
CPC A61H 2015/0014; A61H 2203/0425; A61H
2203/0443; A61H 2201/169; A61H
15/0092; A63B 21/00047; B62J 33/00
See application file for complete search history.

D675,331 S * 1/2013 Matsuura D24/215
D693,934 S * 11/2013 Lin D24/215
D696,923 S * 1/2014 Ichikawa D8/303
D713,050 S * 9/2014 Kao A61H 15/00
D24/211
D737,456 S * 8/2015 McDonough D24/211
9,415,258 B1 * 8/2016 Higgins A63B 21/068
D785,103 S * 4/2017 Townsend D21/662
D788,313 S * 5/2017 Lawrie D24/211
9,668,933 B1 * 6/2017 Johnson A61H 15/00
D805,649 S * 12/2017 Mizelle D24/211
2012/0065557 A1 * 3/2012 Phillips A61H 15/0092
601/136
2013/0178768 A1 * 7/2013 Dalebout A61H 15/0092
601/46
2014/0128786 A1 * 5/2014 Ross A61H 15/0092
601/118
2015/0005146 A1 * 1/2015 Chen A63B 21/00047
482/142
2015/0045707 A1 * 2/2015 Selvaggio A61H 15/0092
601/118

(Continued)

Primary Examiner — Cynthia Ramirez
Assistant Examiner — Michael A Maharajh
(74) *Attorney, Agent, or Firm* — Rosenberg, Klein & Lee

(56) **References Cited**

U.S. PATENT DOCUMENTS

D324,634 S * 3/1992 Chen D8/303
D352,441 S * 11/1994 Oury D8/303
D352,442 S * 11/1994 Lee-Chang D8/303
D361,132 S * 8/1995 Lee D24/200
D411,432 S * 6/1999 Stahel D8/303
D533,813 S * 12/2006 Fujiwara B62J 33/00
D12/114
D626,816 S * 11/2010 Claxton D8/303
D648,204 S * 11/2011 Parvey D8/303
D660,450 S * 5/2012 Johnson D24/215
D670,817 S * 11/2012 Narevsky D24/211
D674,906 S * 1/2013 Matsuura D24/215
D674,907 S * 1/2013 Matsuura D24/215
D674,908 S * 1/2013 Matsuura D24/215
D674,909 S * 1/2013 Matsuura D24/215

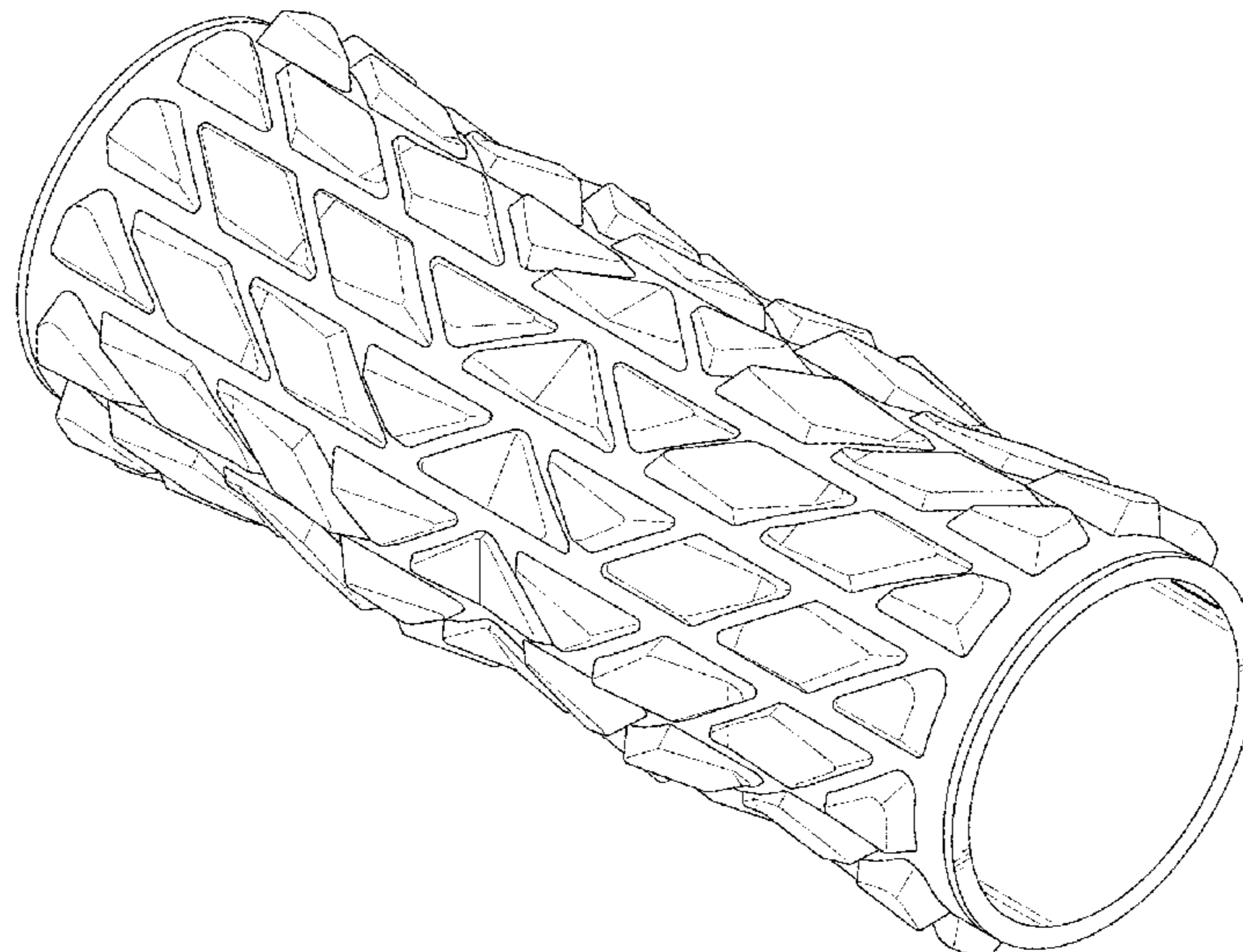
(57) **CLAIM**

The ornamental design for a massage roller, as shown and described.

DESCRIPTION

FIG. 1 is a perspective view of a massage roller showing my new design;
FIG. 2 is a front elevational view thereof;
FIG. 3 is a rear elevational view thereof;
FIG. 4 is a left side elevational view thereof;
FIG. 5 is a right side elevational view thereof;
FIG. 6 is a top plan view thereof; and,
FIG. 7 is a bottom plan view thereof.

1 Claim, 7 Drawing Sheets



(56)

References Cited

U.S. PATENT DOCUMENTS

2015/0080774 A1* 3/2015 Olaya A61H 15/00
601/121
2015/0190304 A1* 7/2015 Lawrie A61H 15/0092
601/118
2016/0045391 A1* 2/2016 Strassburg A63B 69/0028
601/118
2016/0235619 A1* 8/2016 Yeh A61H 15/00
2016/0279009 A1* 9/2016 Somjee A61H 7/007
2016/0302994 A1* 10/2016 Chen A61H 15/00
2016/0310349 A1* 10/2016 Chen A61H 15/00
2016/0310350 A1* 10/2016 Chen A61H 15/00
2016/0331628 A1* 11/2016 Kuo A61H 15/00
2017/0143583 A1* 5/2017 Lin A61H 23/02
2017/0202729 A1* 7/2017 Lin A61H 15/0092
2017/0216133 A1* 8/2017 Yih A61H 15/0092
2018/0021211 A1* 1/2018 Suokas A61H 15/0092
2018/0125745 A1* 5/2018 Olaya A61H 15/00

* cited by examiner

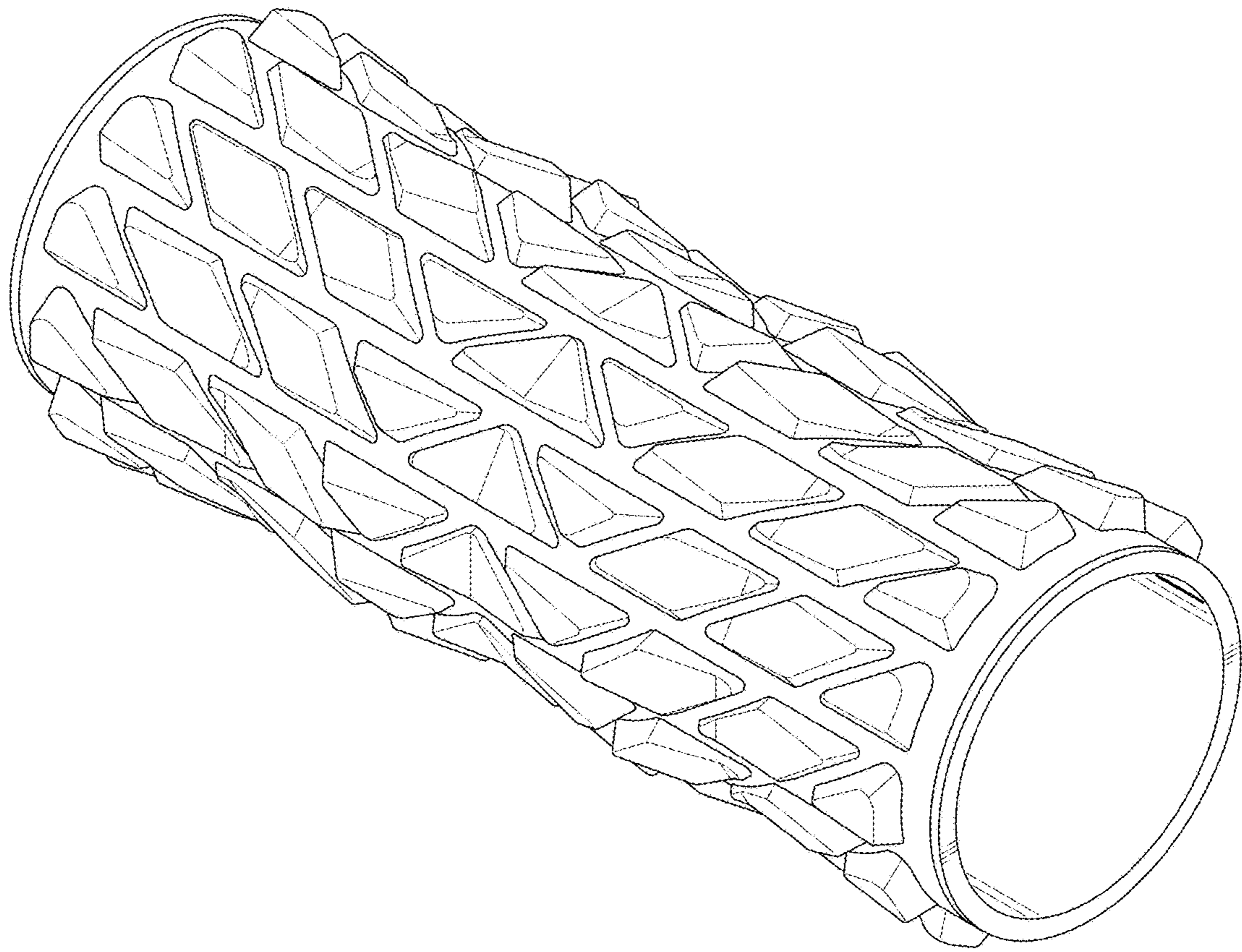


FIG. 1

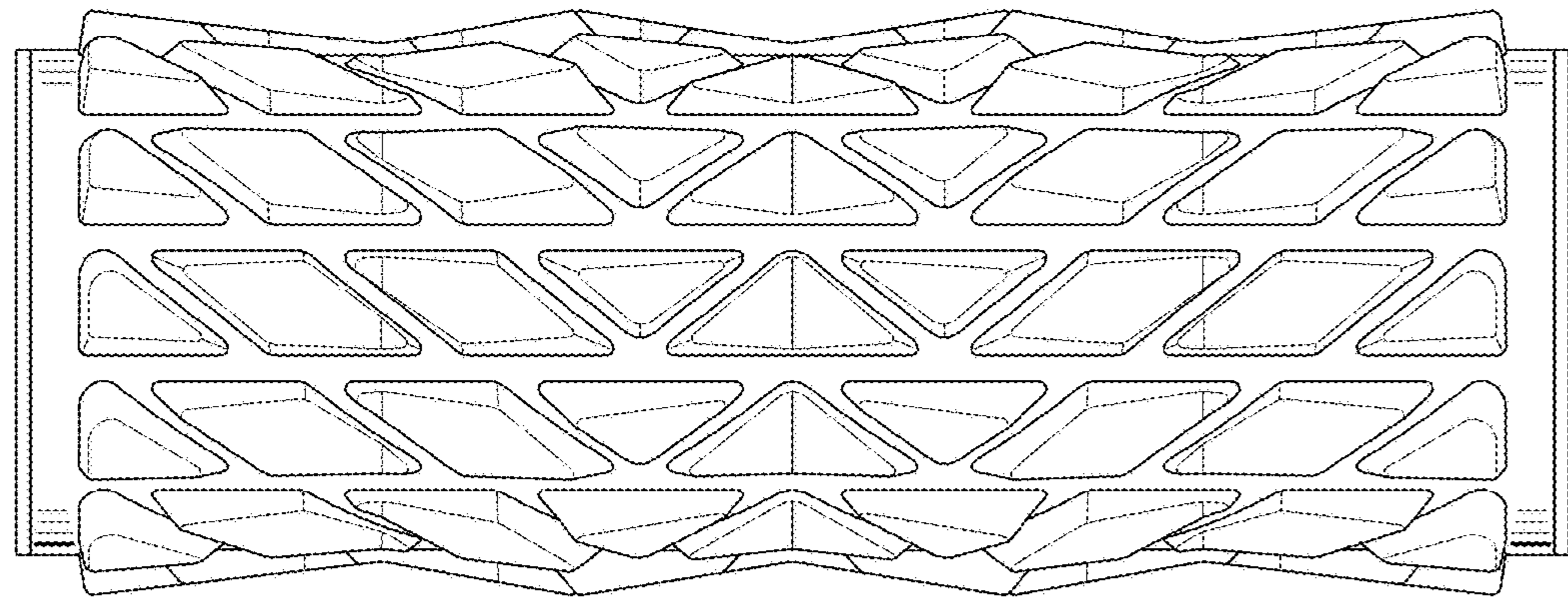


FIG. 2

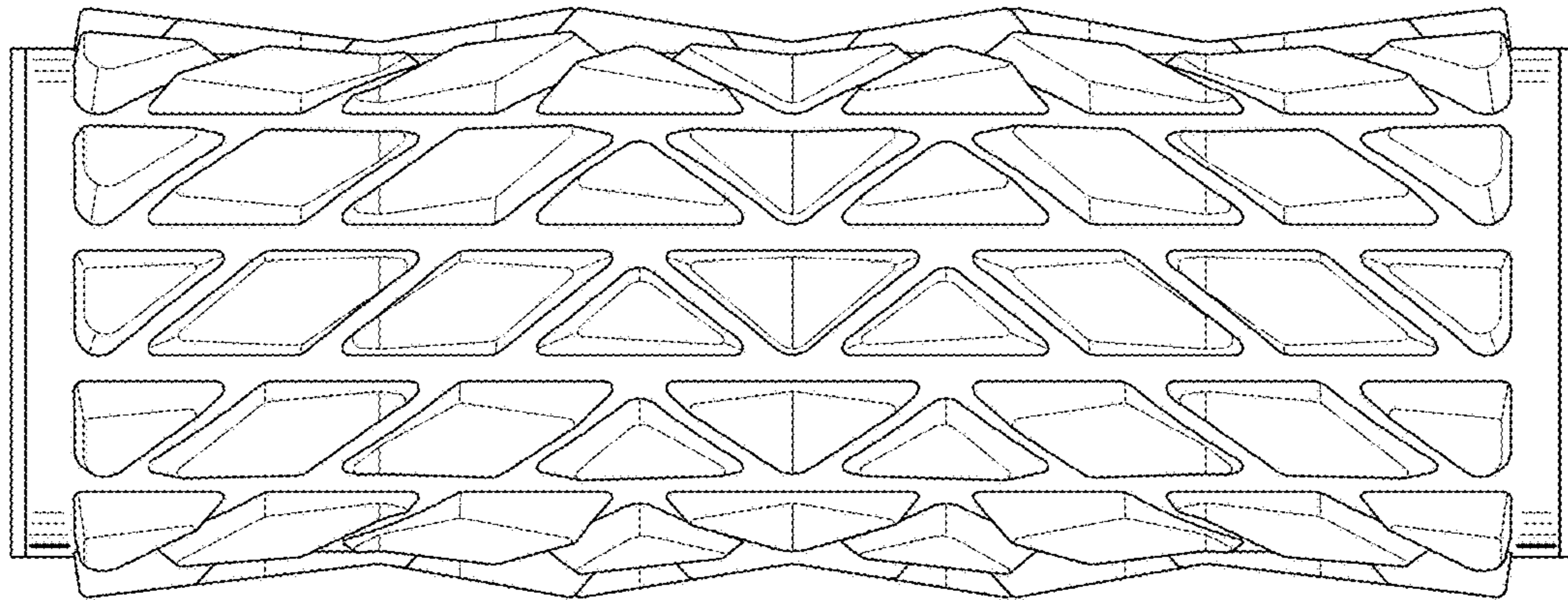


FIG. 3

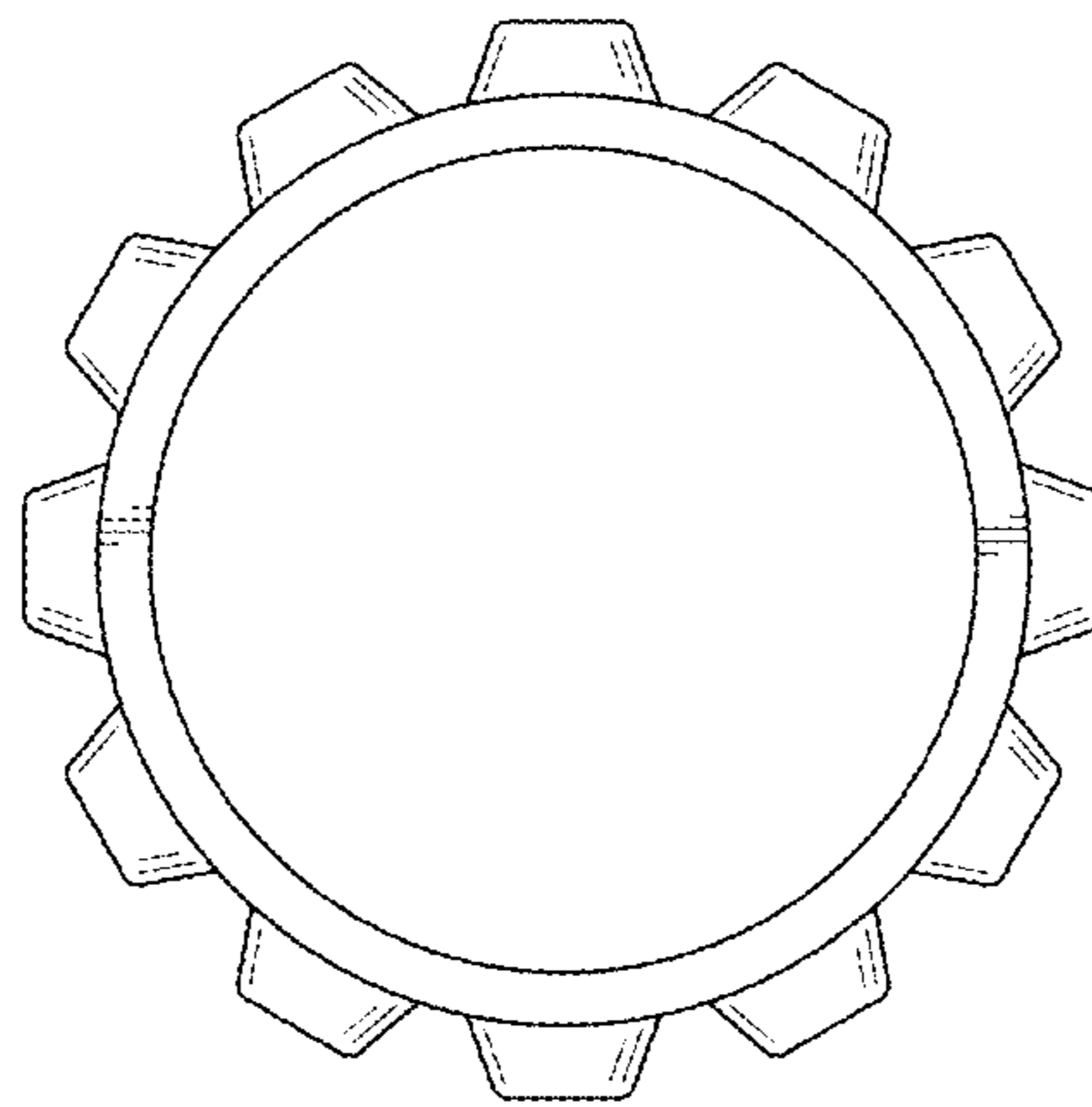


FIG. 4

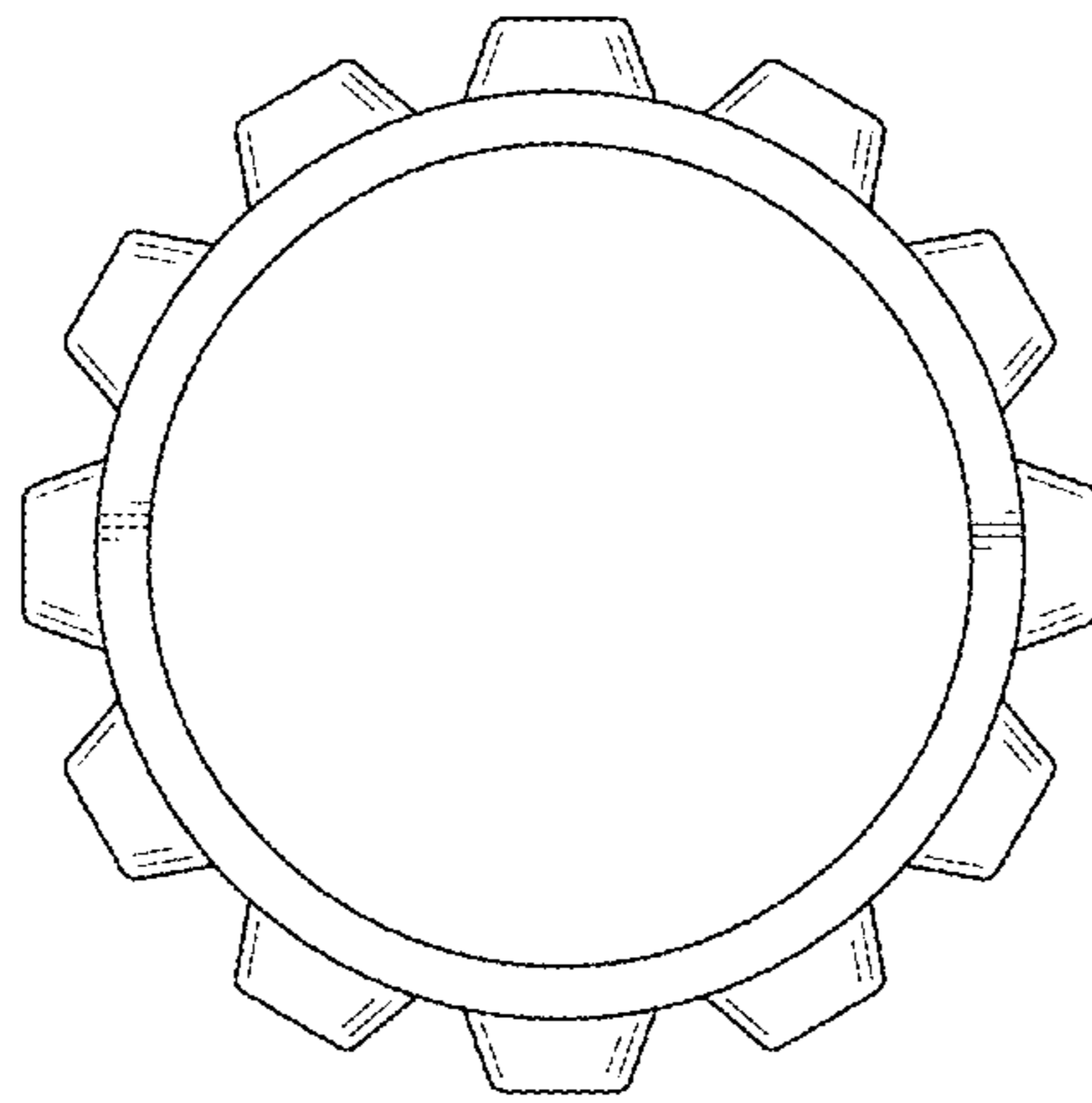


FIG. 5

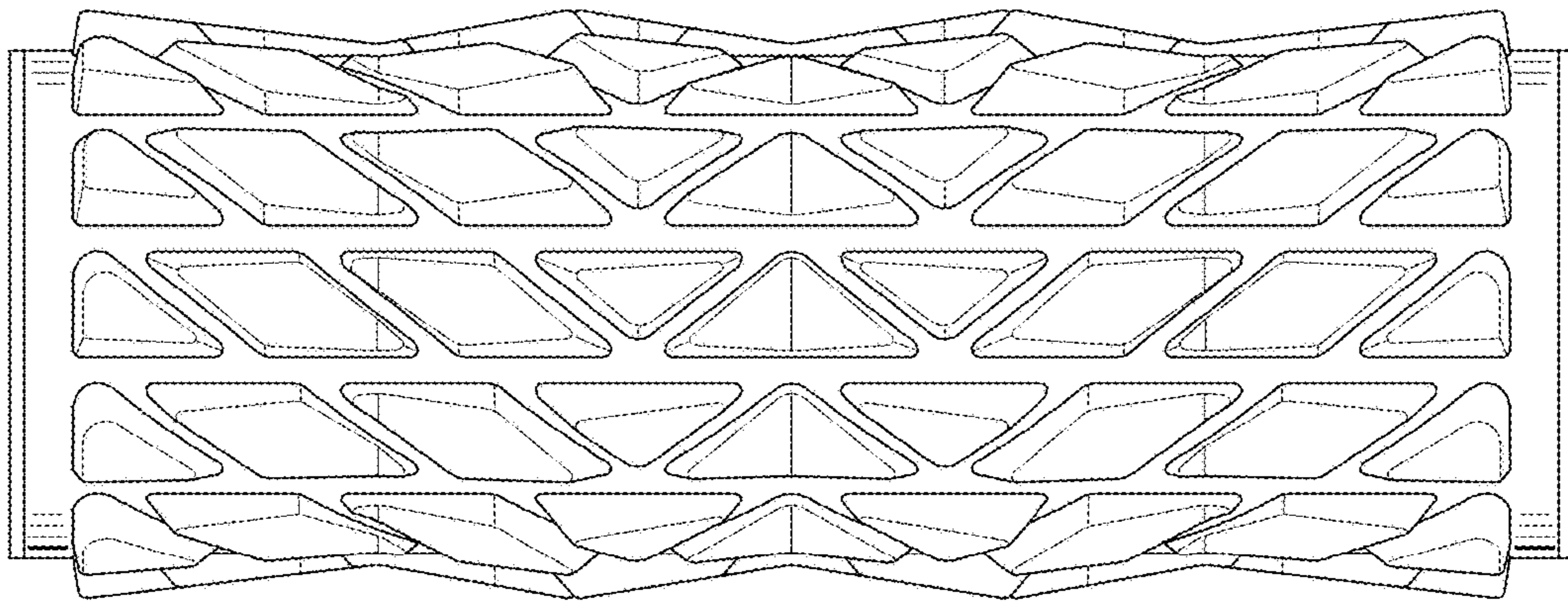


FIG. 6

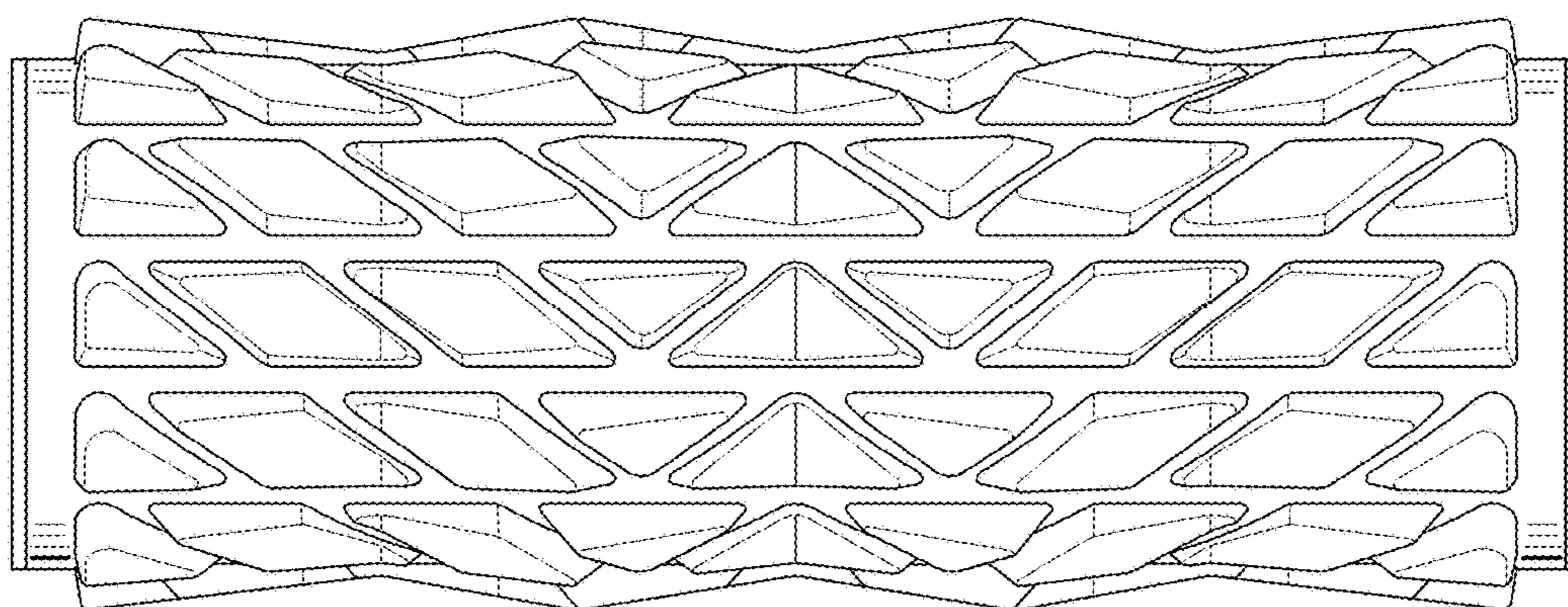


FIG. 7