



US00D833634S

(12) **United States Design Patent**
Kramer

(10) **Patent No.:** **US D833,634 S**

(45) **Date of Patent:** **** Nov. 13, 2018**

(54) **DUAL MUSCLE ROLLER**
(71) Applicant: **Marcus Kramer**, San Diego, CA (US)
(72) Inventor: **Marcus Kramer**, San Diego, CA (US)
(73) Assignee: **INNOVATION ETHOS, LLC**, El Cajon, CA (US)
(**) Term: **15 Years**

D452,572 S * 12/2001 Nakamura D24/200
6,758,826 B2 * 7/2004 Luetngen A61H 19/34
601/135
6,905,447 B1 * 6/2005 Walter A61H 1/0292
482/121
6,988,997 B2 * 1/2006 Stultz A61H 7/003
601/135
7,077,817 B2 * 7/2006 Young A61H 21/00
601/135
7,125,390 B2 * 10/2006 Ferber A61H 7/001
601/101

(21) Appl. No.: **29/602,429**
(22) Filed: **May 1, 2017**
(51) **LOC (11) Cl.** **28-03**
(52) **U.S. Cl.**
USPC **D24/211**
(58) **Field of Classification Search**
USPC 601/19, 27, 28, 29, 30, 31, 32, 46, 48,
601/52, 128, 129, 130, 131, 134, 135,
601/136, 137, DIG. 12, DIG. 15, DIG. 16,
601/DIG. 17; D24/200, 211, 212, 213,
D24/214, 215
CPC A61H 2007/009; A61H 2201/1645; A61H
7/007; A61H 15/00; A61H 2015/0014;
A61H 1/0292
See application file for complete search history.

(Continued)

Primary Examiner — Cynthia Ramirez
Assistant Examiner — Michael A Maharajh
(74) *Attorney, Agent, or Firm* — Manuel de la Cerra

(57) **CLAIM**

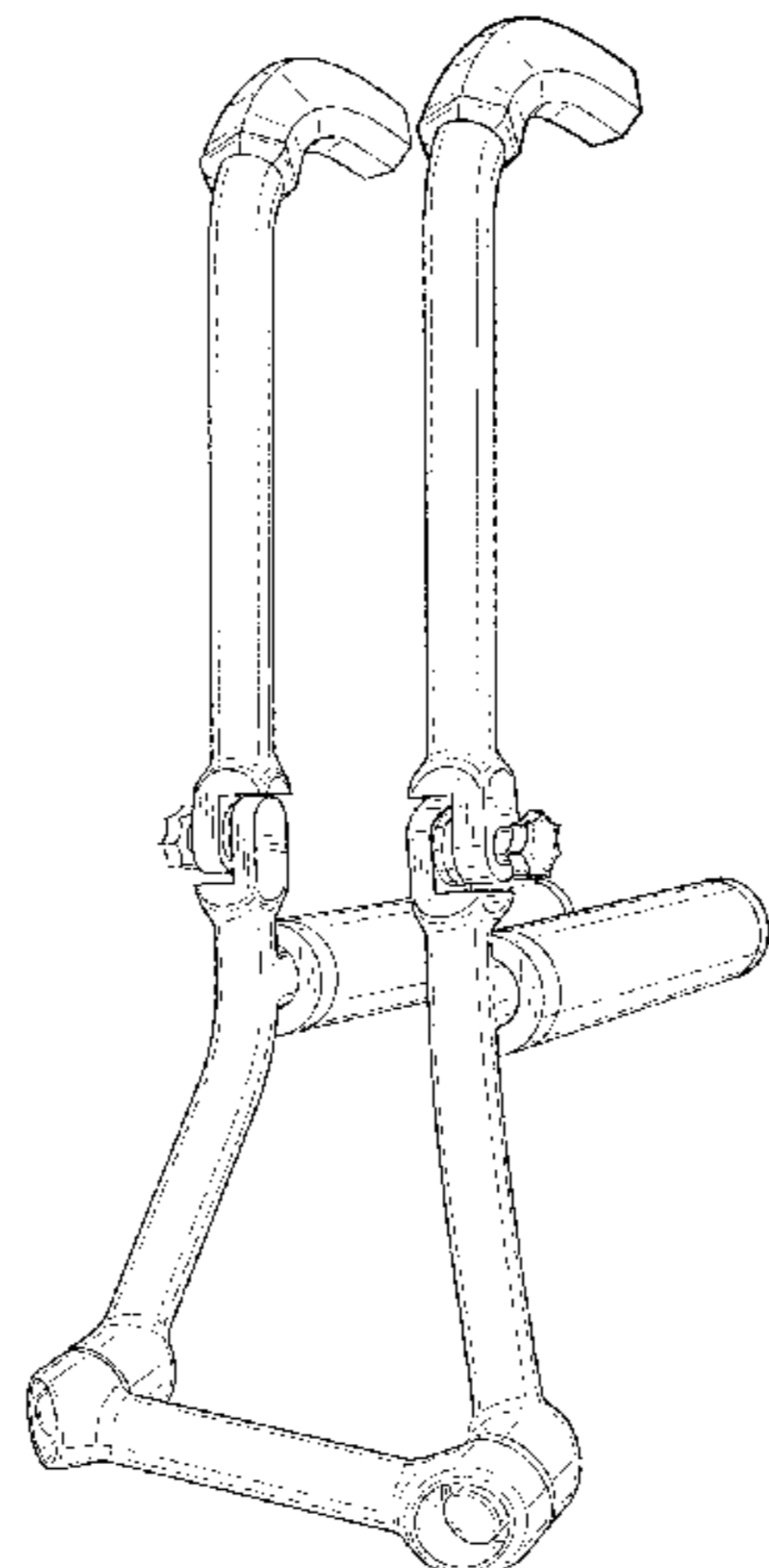
The ornamental design for a dual muscle roller, as shown and described.

DESCRIPTION

FIG. 1 is a front perspective view of a dual muscle roller in the unfolded configuration, showing my new design.
FIG. 2 is a rear perspective view thereof.
FIG. 3 is a top view thereof.
FIG. 4 is a bottom view thereof.
FIG. 5 is a left side view thereof, the right side view is a mirror image thereof.
FIG. 6 is a front view thereof.
FIG. 7 is a rear view thereof.
FIG. 8 is a top perspective view of the dual muscle roller in the folded configuration.
FIG. 9 is a top view thereof.
FIG. 10 is a bottom view thereof.
FIG. 11 is a left side view thereof, the right side view is mirror image thereof.
FIG. 12 is a front view thereof; and,
FIG. 13 is a rear view thereof.

(56) **References Cited**
U.S. PATENT DOCUMENTS
4,266,536 A * 5/1981 Casares A61H 15/0092
601/119
D268,362 S * 3/1983 Wong D24/211
5,530,983 A * 7/1996 Maltese A47K 7/043
601/137
5,730,708 A * 3/1998 Spratt A61H 7/003
601/118
D401,346 S * 11/1998 Yoshida D24/200
5,848,980 A * 12/1998 Demerai A61H 23/02
601/46
6,241,693 B1 * 6/2001 Lambden A61H 7/001
601/119

1 Claim, 11 Drawing Sheets



(56)

References Cited

U.S. PATENT DOCUMENTS

7,335,171 B2 * 2/2008 Ewell A61H 7/001
601/135
D613,416 S * 4/2010 Schupman D24/200
8,337,438 B2 * 12/2012 Schupman A61H 7/001
601/135
D675,332 S * 1/2013 Tinder D24/215
9,616,267 B2 * 4/2017 Sassano A63B 21/02
D802,155 S * 11/2017 Cross D24/211
D805,210 S * 12/2017 Leier D24/211
D812,239 S * 3/2018 Rosenberg D24/211
2017/0056284 A1 * 3/2017 Kramer A61H 15/0092

* cited by examiner

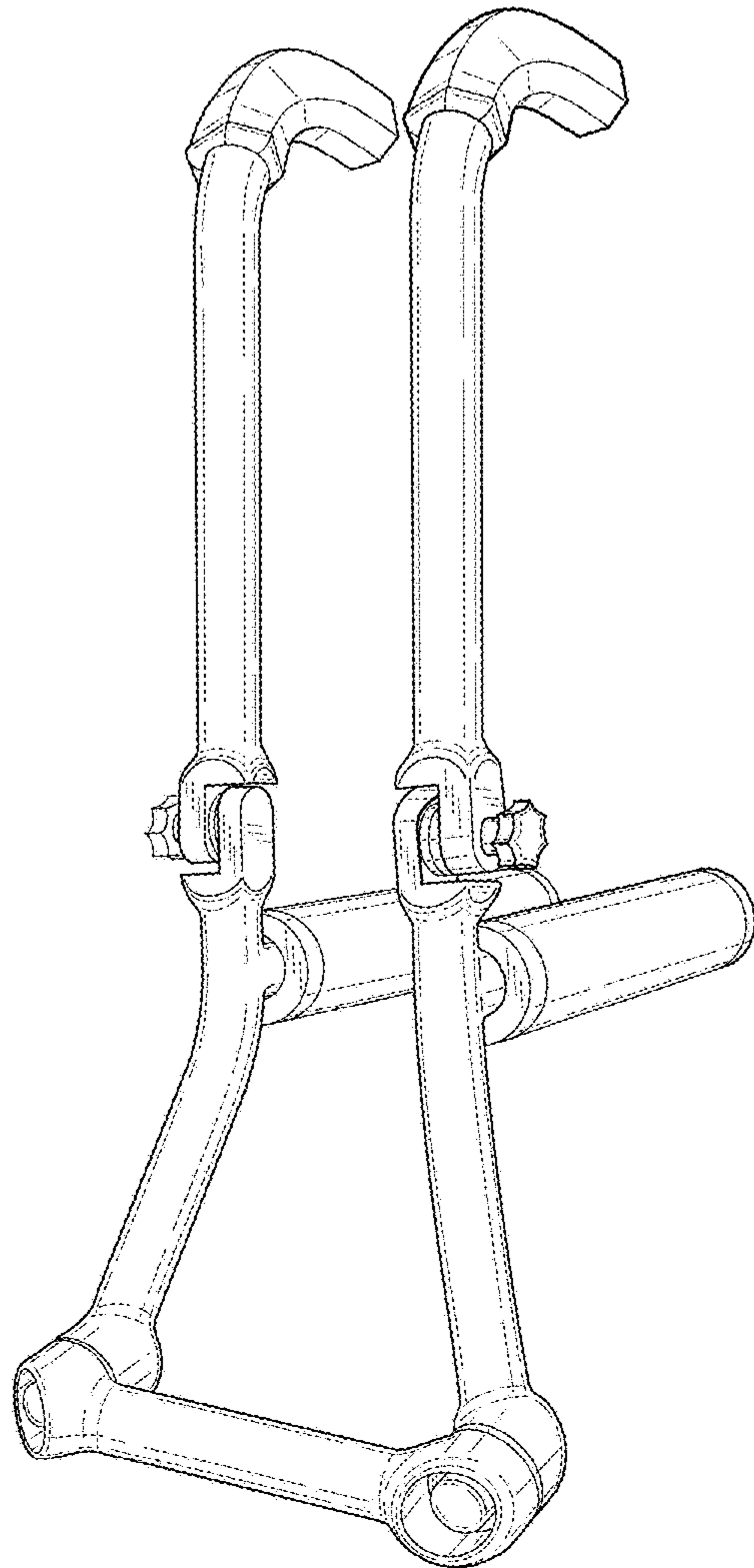


FIG. 1

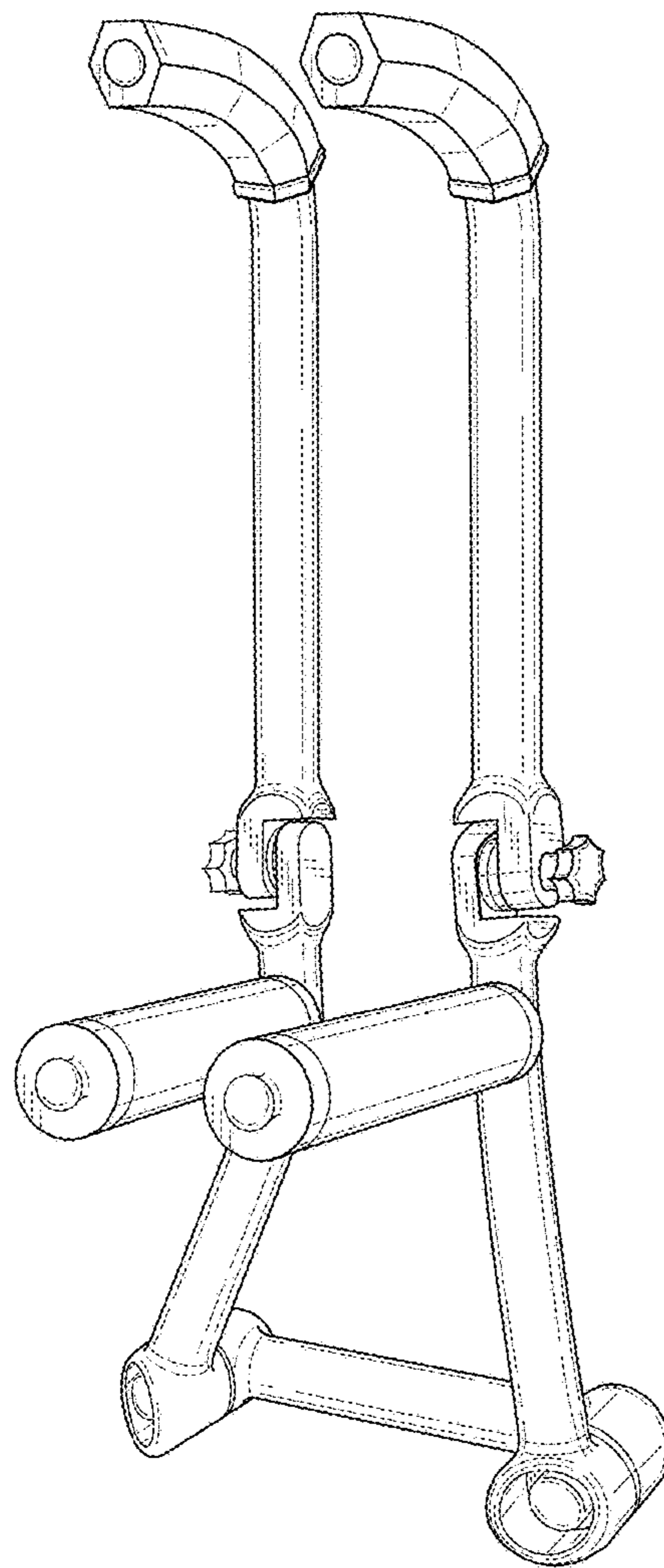


FIG. 2

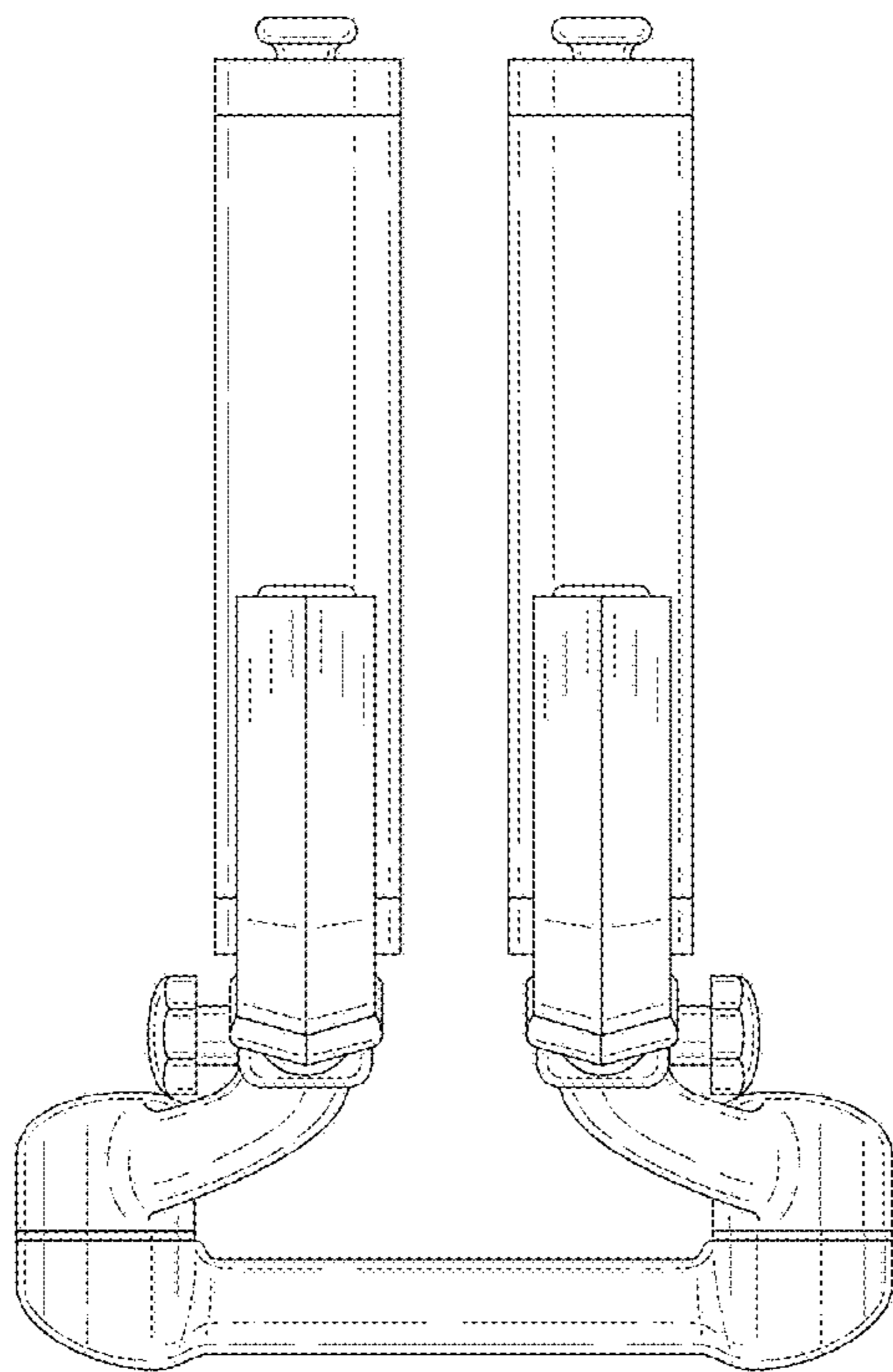


FIG. 3

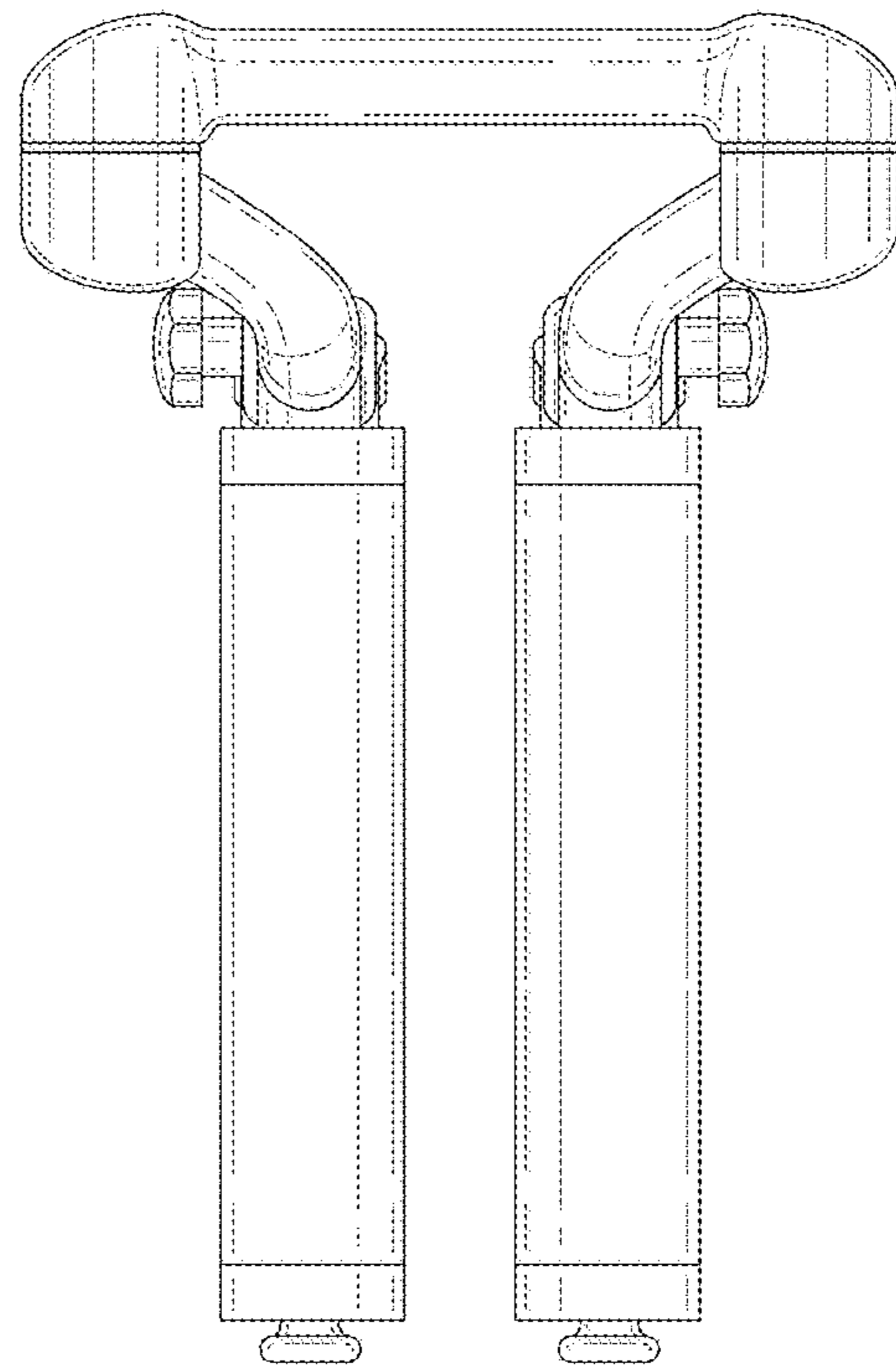


FIG. 4

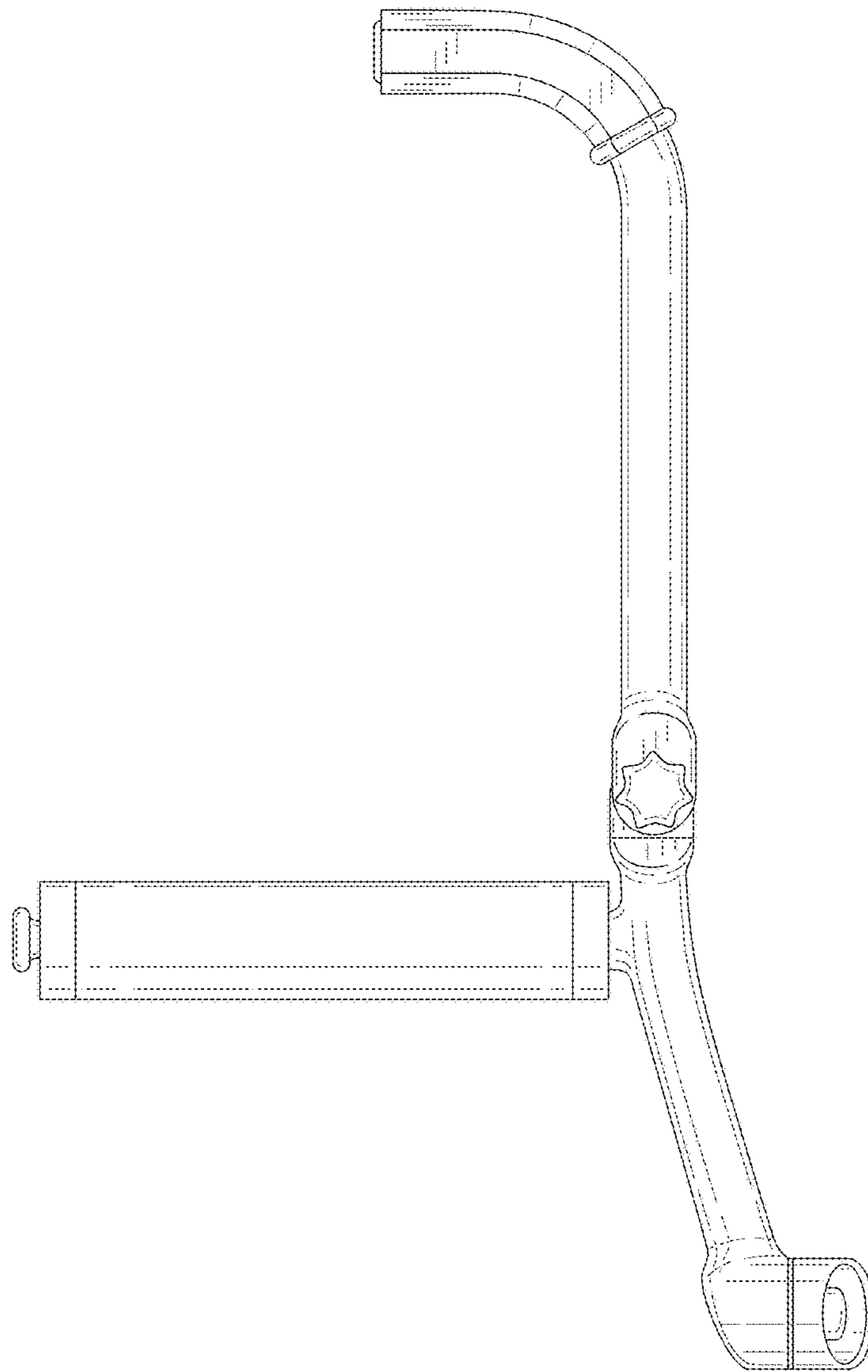


FIG. 5

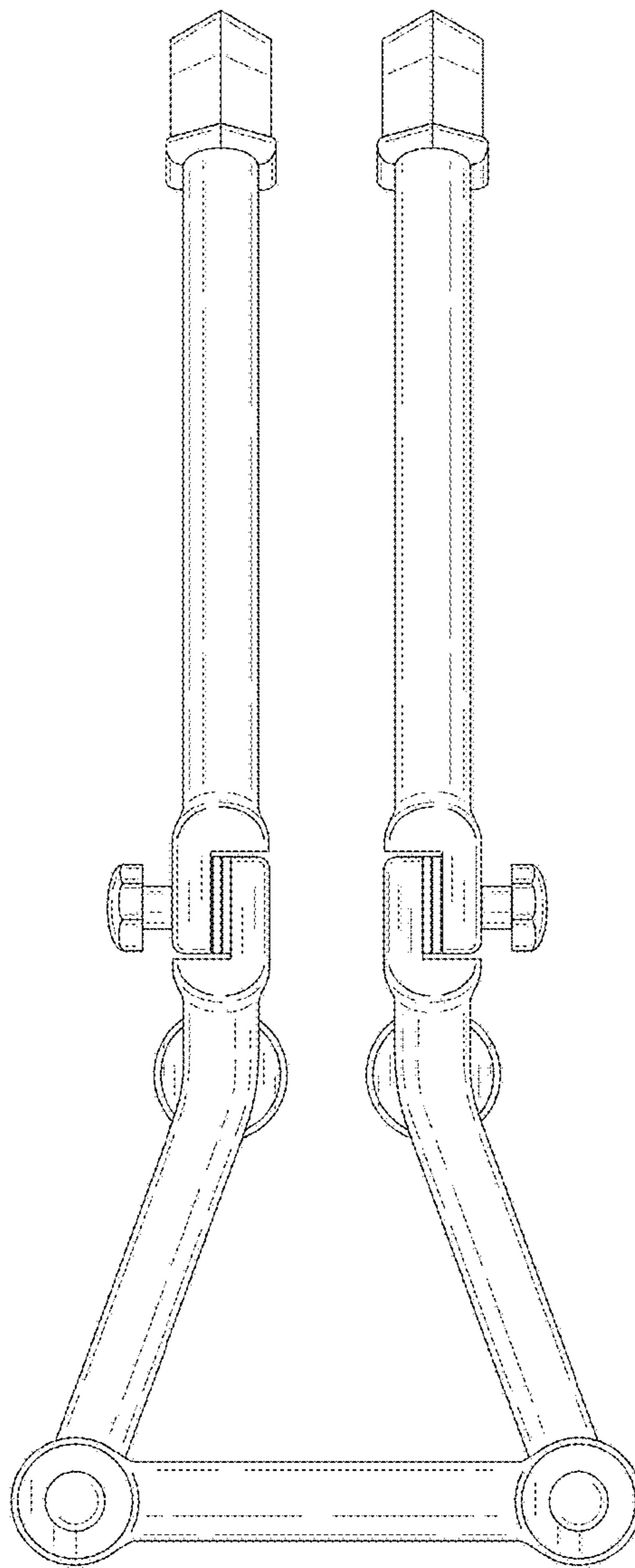


FIG. 6

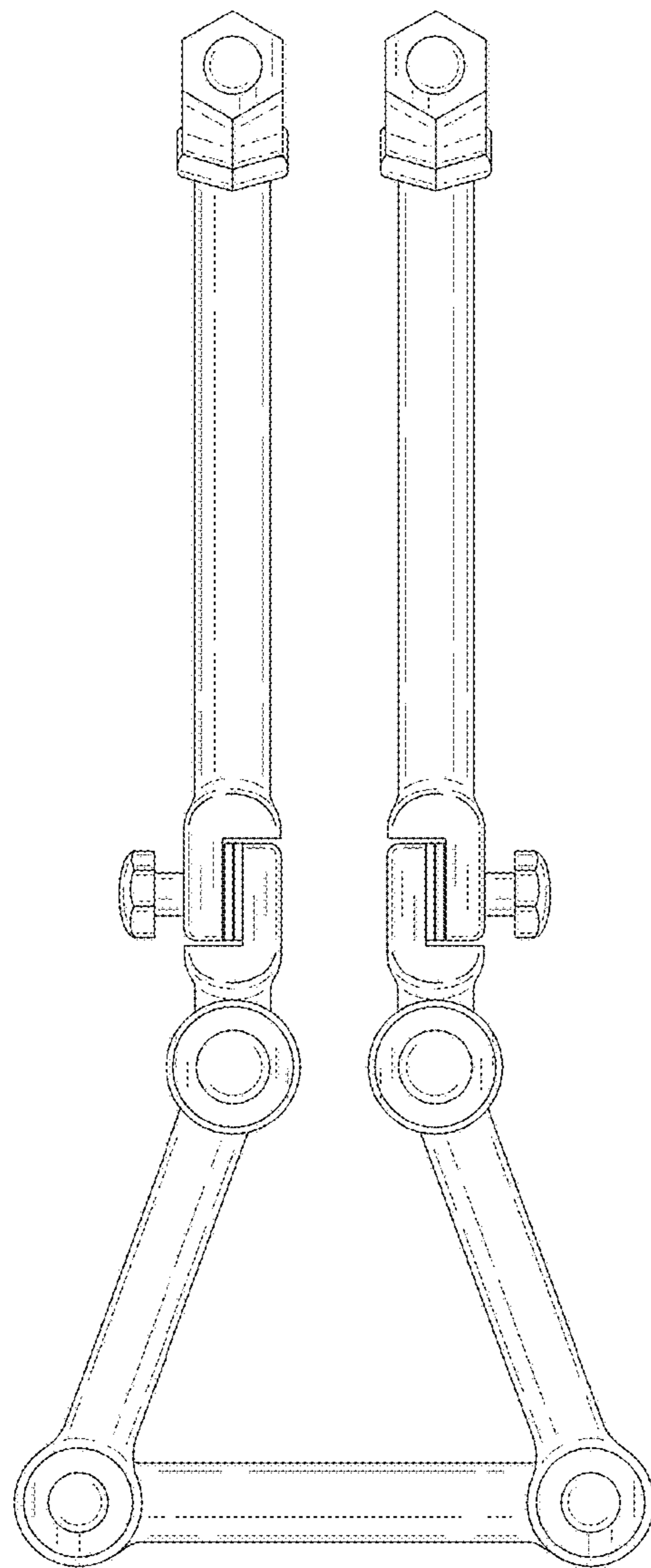


FIG. 7

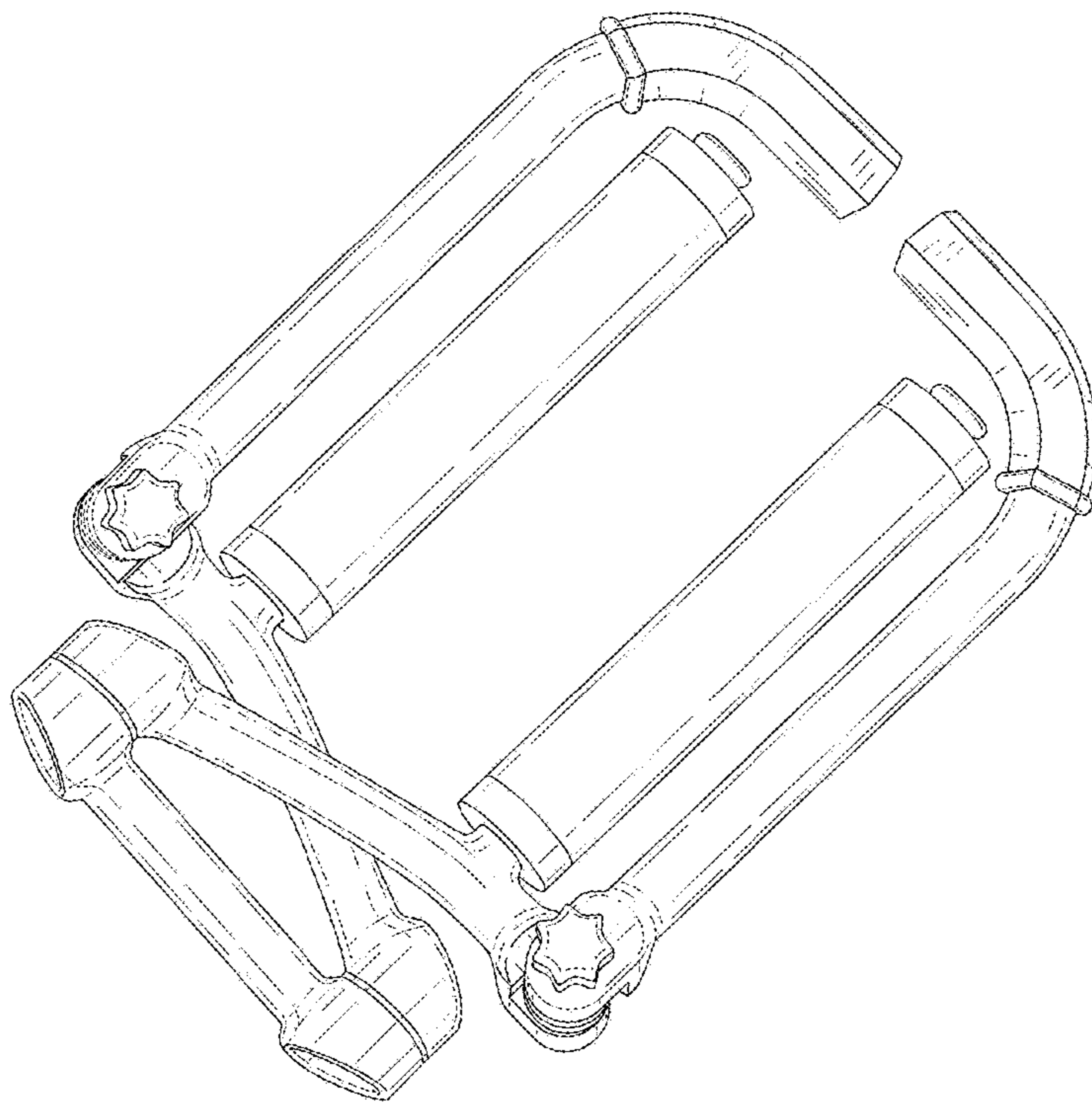


FIG. 8

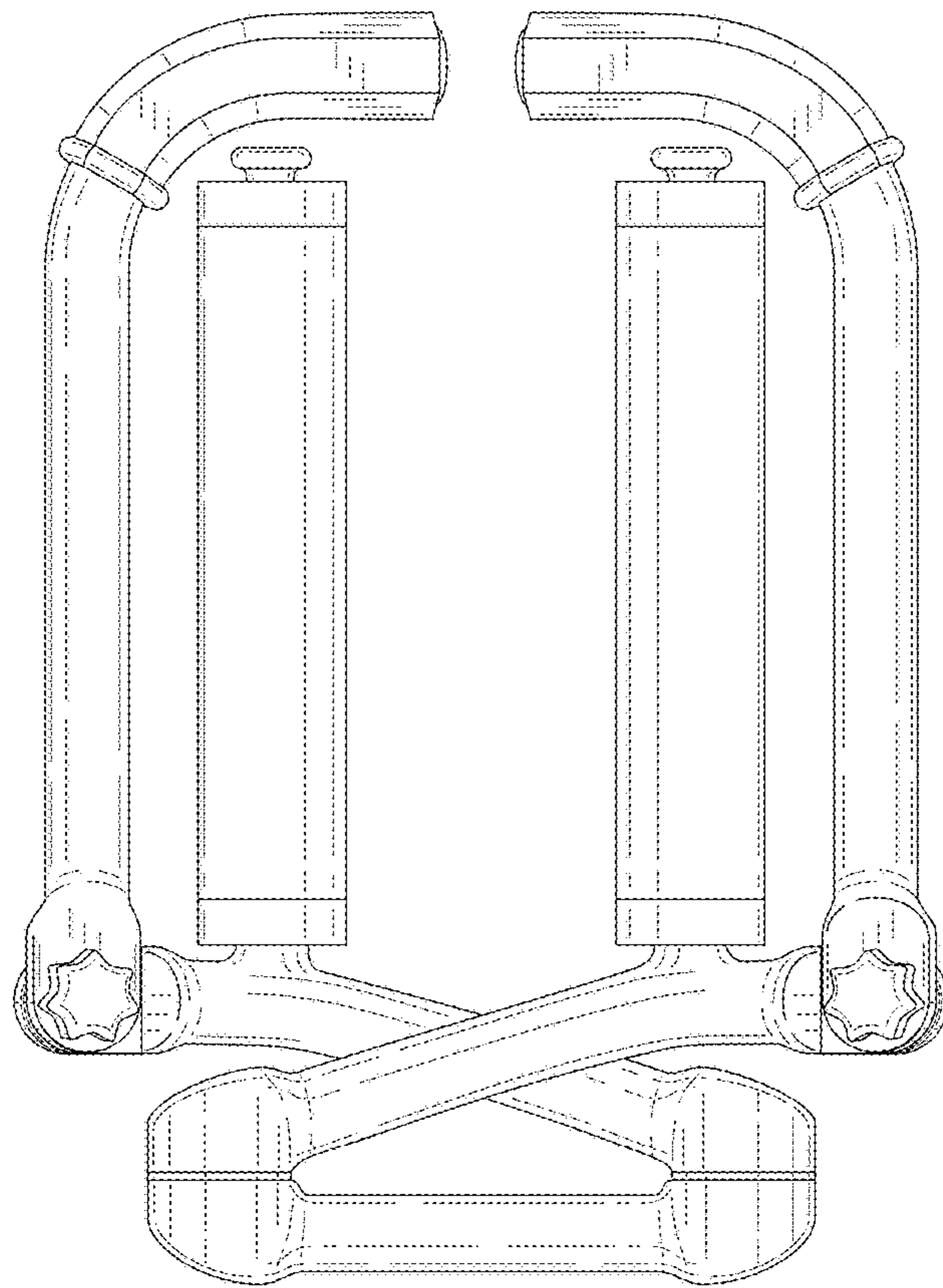


FIG. 9

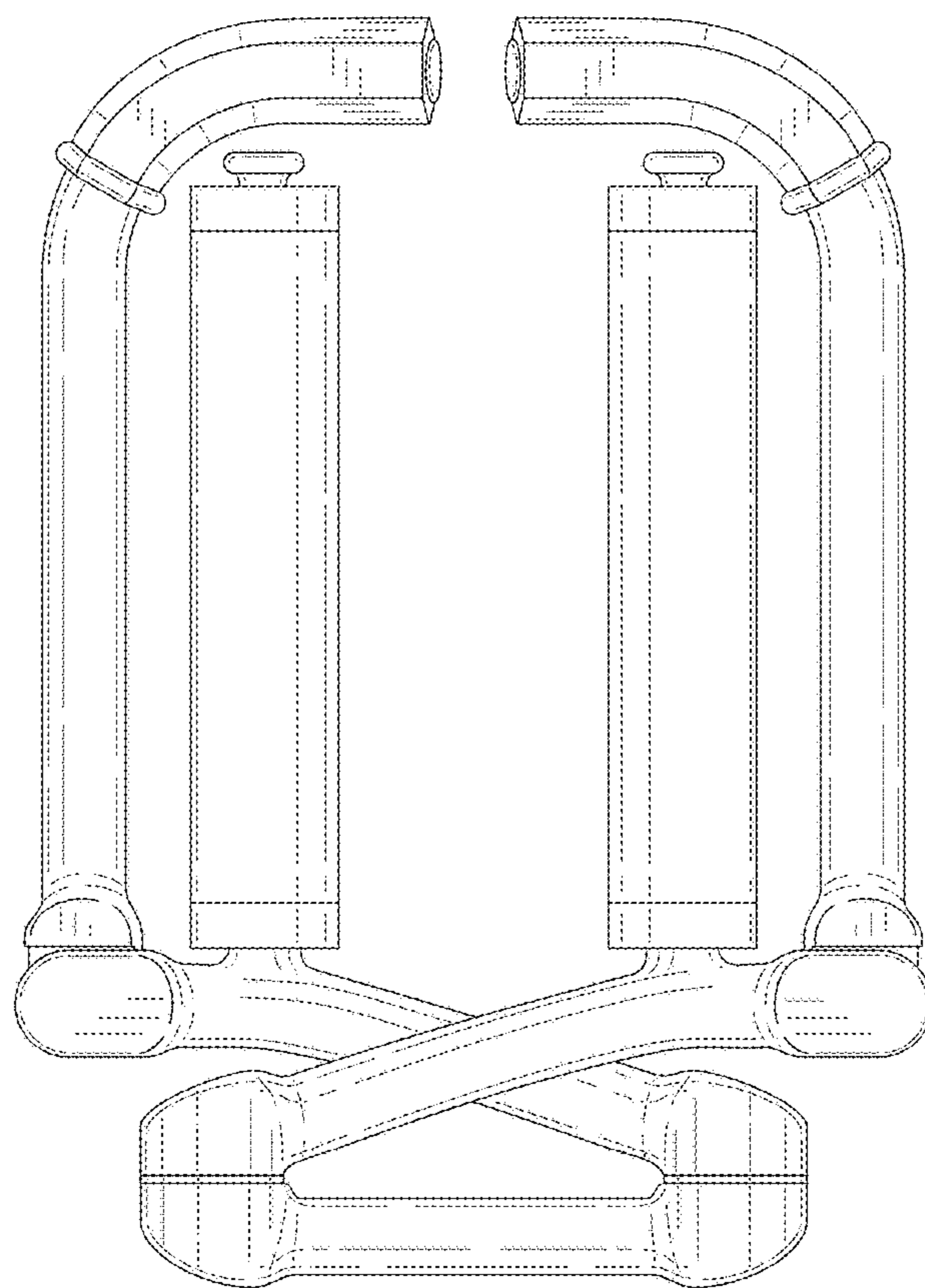


FIG. 10

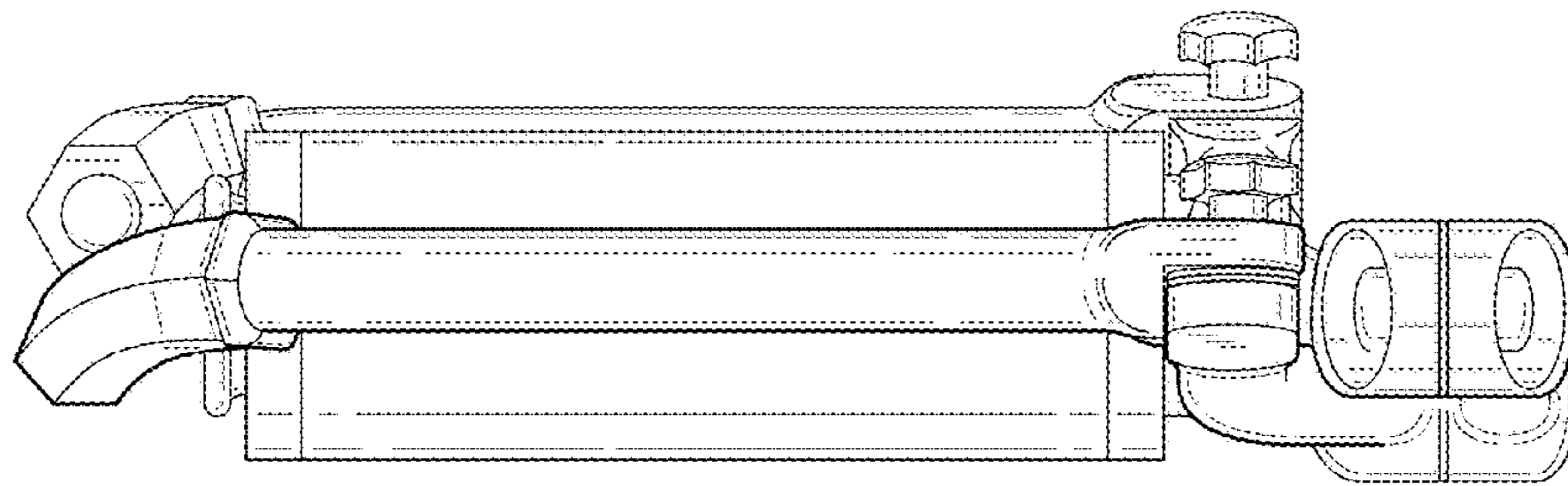


FIG. 11

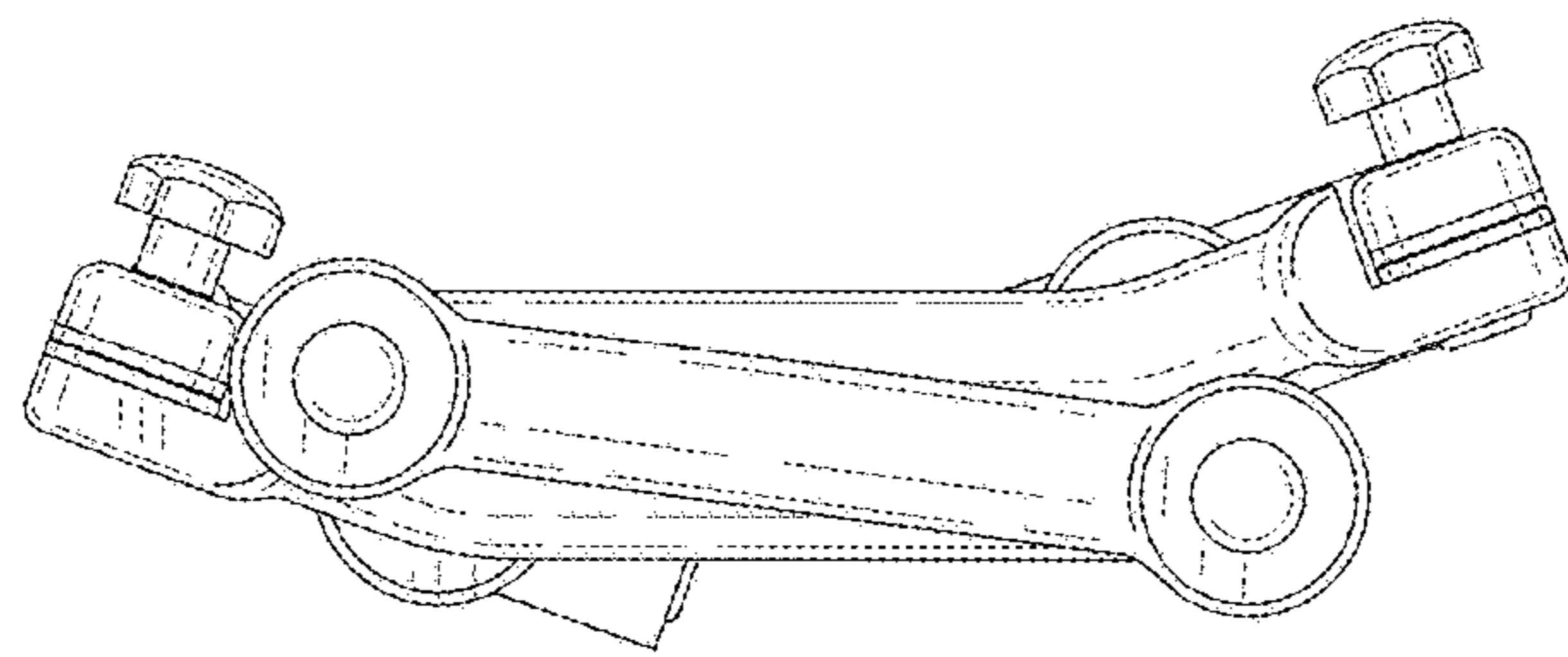


FIG. 12

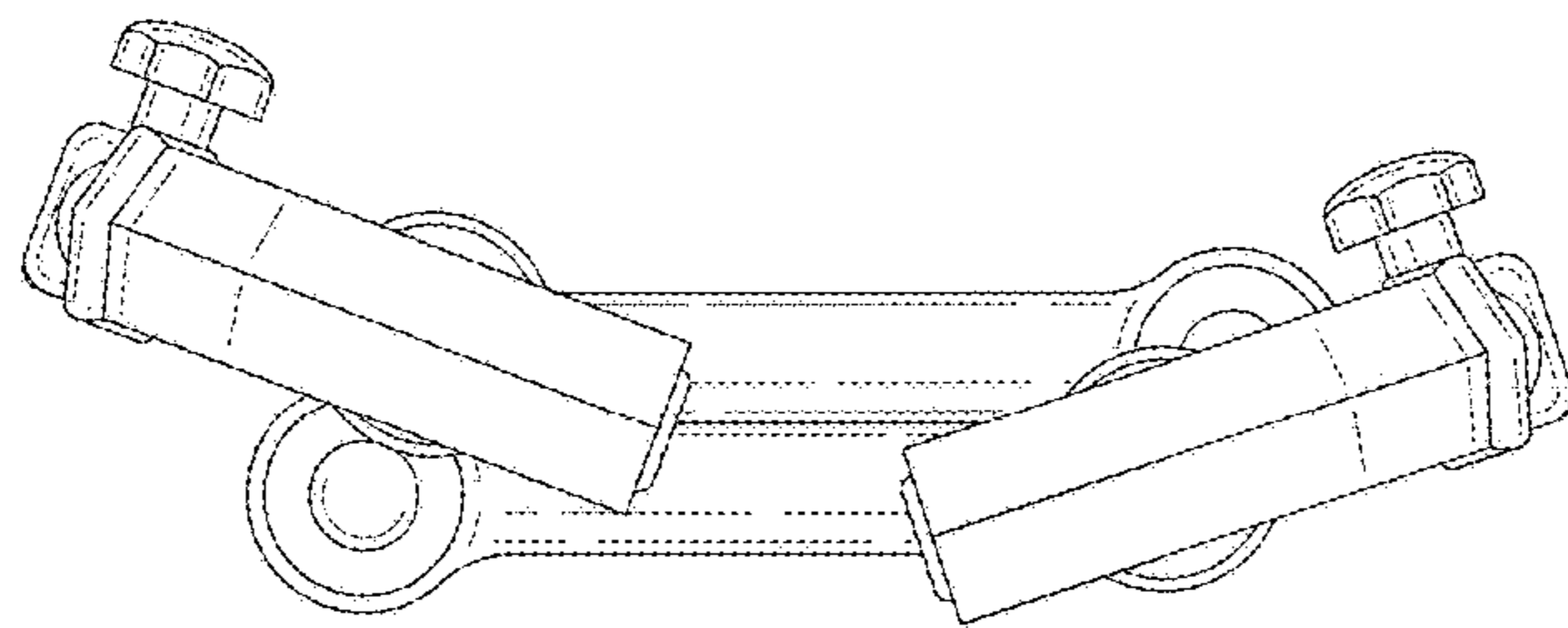


FIG. 13