



US00D833631S

(12) **United States Design Patent** (10) **Patent No.:** **US D833,631 S**
Walker et al. (45) **Date of Patent:** **** Nov. 13, 2018**

(54) **FACEPLATE**
(71) Applicant: **Custom Molded Products, LLC**,
Newnan, GA (US)
(72) Inventors: **Victor L. Walker**, Temecula, CA (US);
Zachary T. Vogtner, Fayetteville, GA
(US)
(73) Assignee: **Custom Molded Products, LLC**,
Newnan, GA (US)

D689,192 S * 9/2013 Loyd D24/201
D700,972 S * 3/2014 Sears D24/201
D762,825 S * 8/2016 Walker D23/259
D762,867 S * 8/2016 Walker D24/201
D793,588 S * 8/2017 Walker D26/26
D806,511 S * 1/2018 Yuan D8/311
D821,844 S * 7/2018 Walker D8/300
2014/0101840 A1* 4/2014 Harder A61H 33/6052
4/541.6
2015/0352003 A1* 12/2015 Walker A61H 33/027
4/541.4

(**) Term: **15 Years**

* cited by examiner

(21) Appl. No.: **29/616,562**

Primary Examiner — Anhdao Doan

(22) Filed: **Sep. 7, 2017**

(74) Attorney, Agent, or Firm — Laurence P. Colton;
Smith Tempel Blaha LLC

(51) **LOC (11) Cl.** **23-02**

(52) **U.S. Cl.**
USPC **D24/201**

(58) **Field of Classification Search**
USPC D24/201–205; D23/276–278,
D23/280.1–280.3; D08/300, 303, 306,
D08/307, 310–312
CPC A61H 2201/0107; A61H 33/0087; A61H
33/6005; A61H 33/6052; A61H 33/6063
See application file for complete search history.

(57) **CLAIM**

The ornamental design for a faceplate, as shown and described.

DESCRIPTION

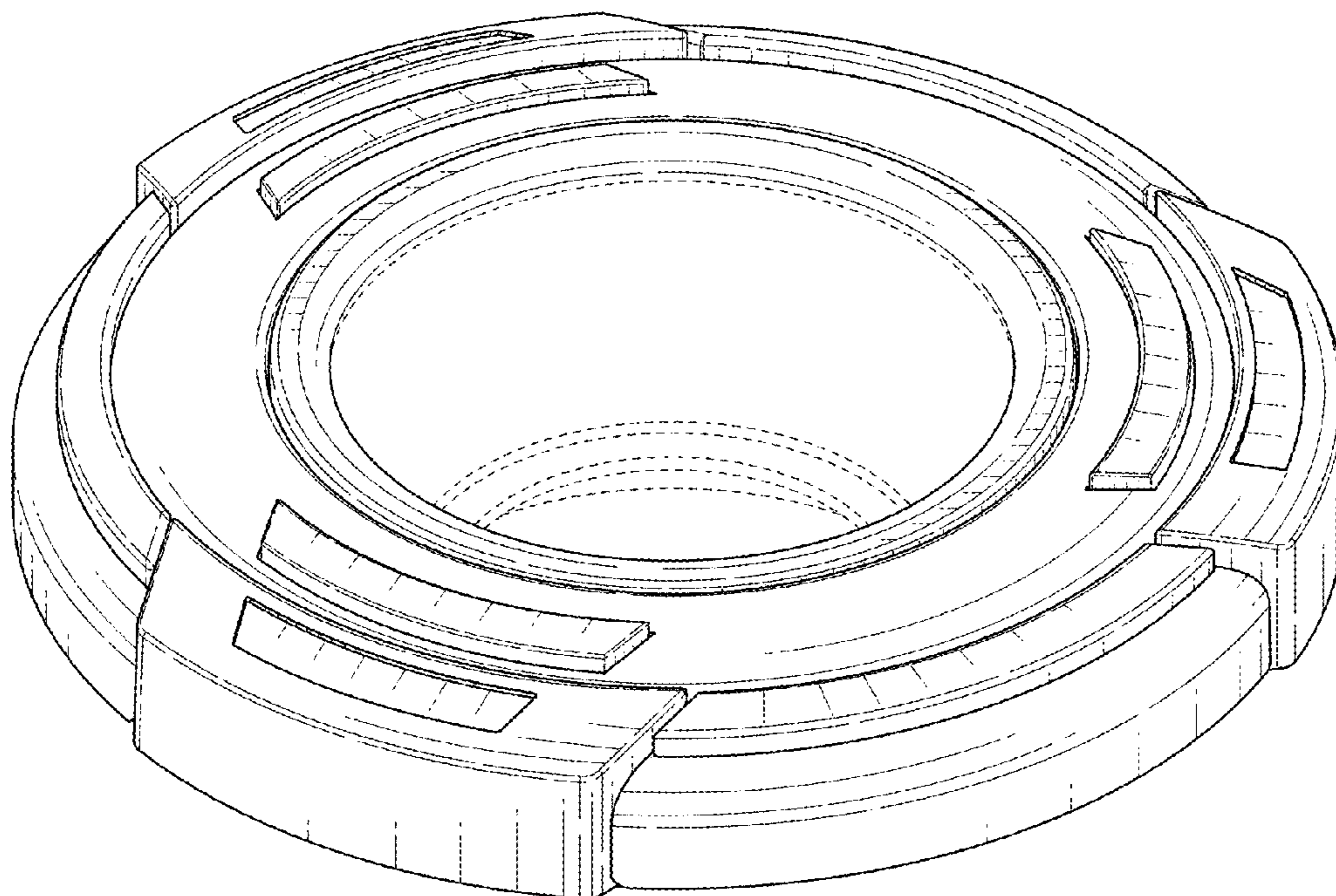
FIG. 1 is a perspective view of a faceplate showing our new design.
FIG. 2 is a top view thereof.
FIG. 3 is a front view thereof.
FIG. 4 is a back view thereof.
FIG. 5 is a left side view thereof.
FIG. 6 is a right side view thereof; and,
FIG. 7 is a bottom view thereof.
The broken lines shown represent unclaimed subject matter and form no part of the claimed design.

(56) **References Cited**

U.S. PATENT DOCUMENTS

D591,863 S * 5/2009 Holtsnider D24/201
D608,009 S * 1/2010 Vogtner D24/204

1 Claim, 5 Drawing Sheets



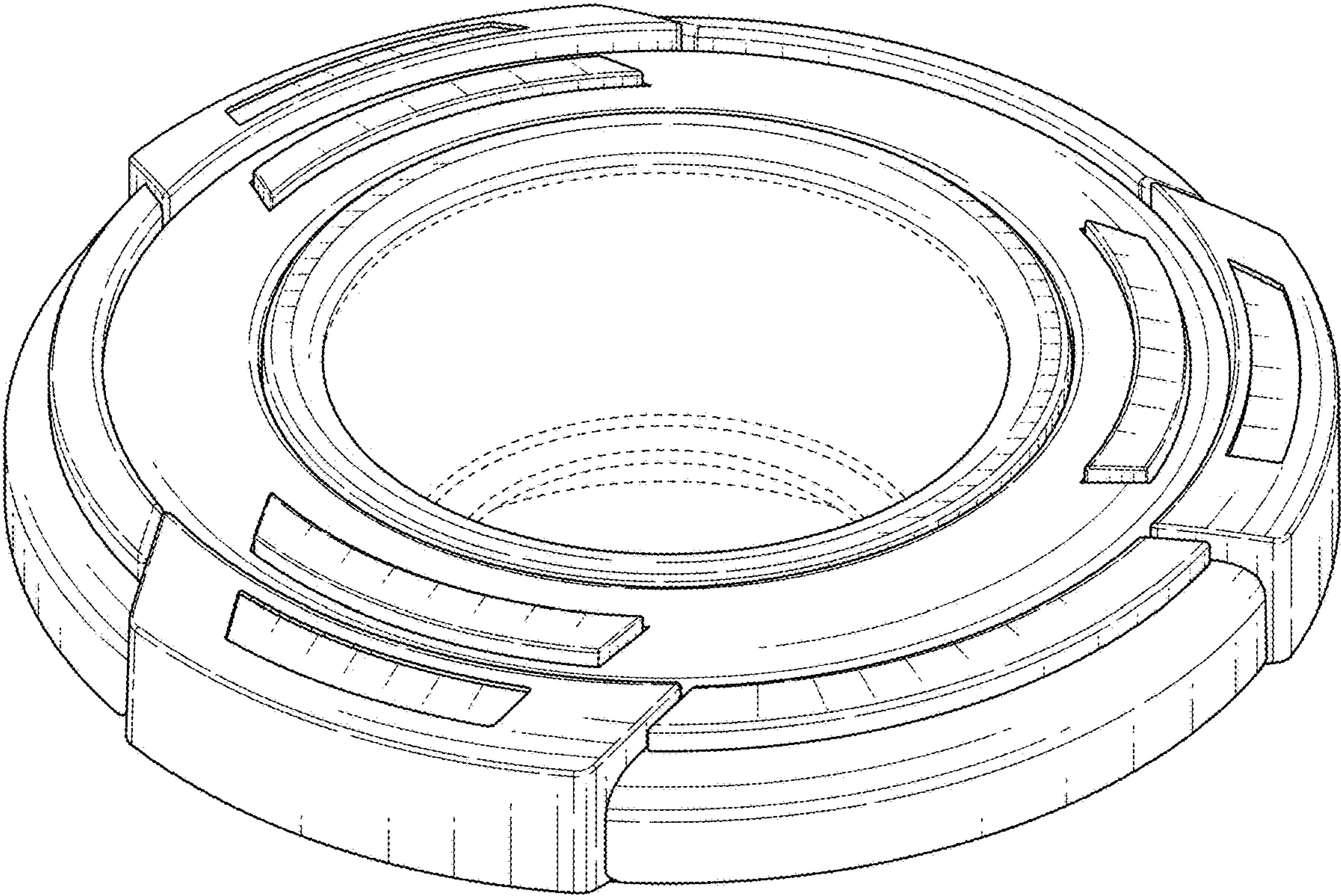


FIG. 1

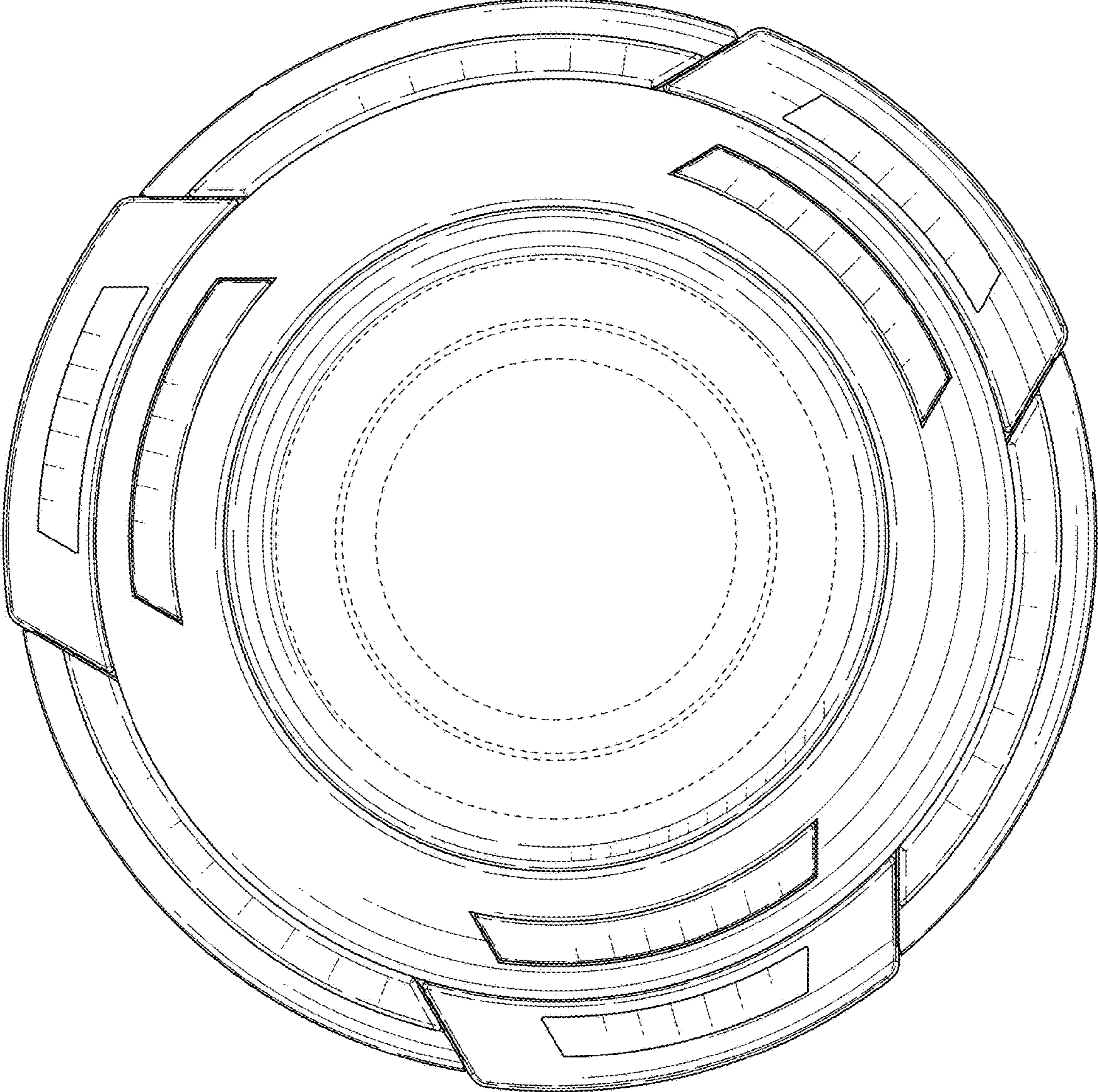


FIG. 2

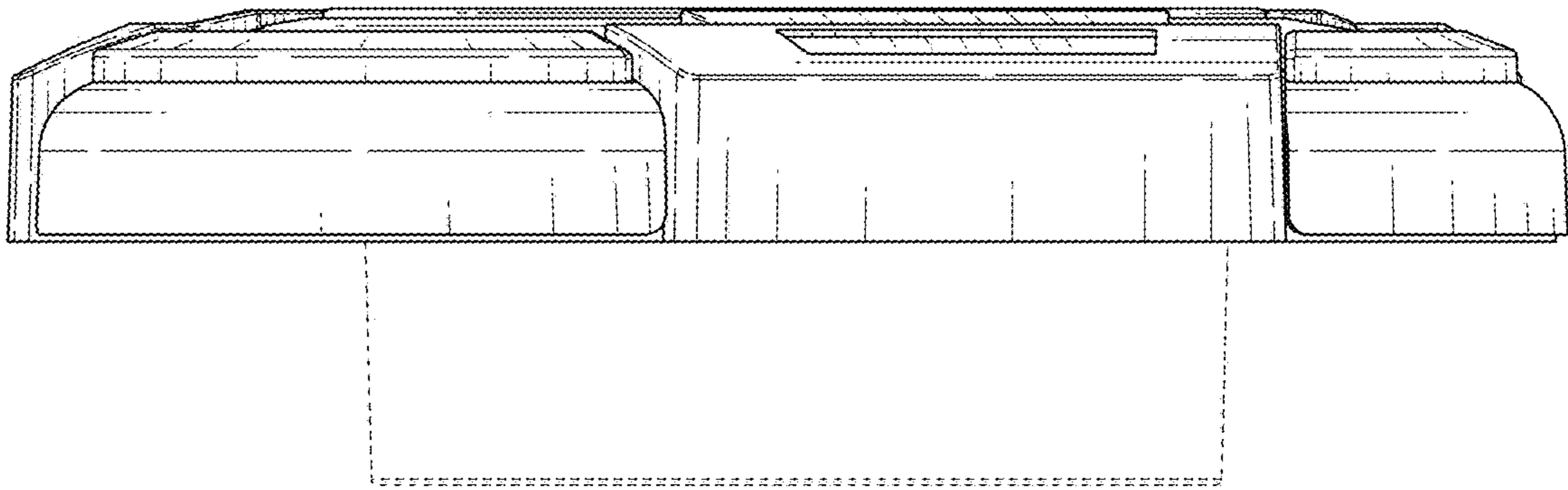


FIG. 3

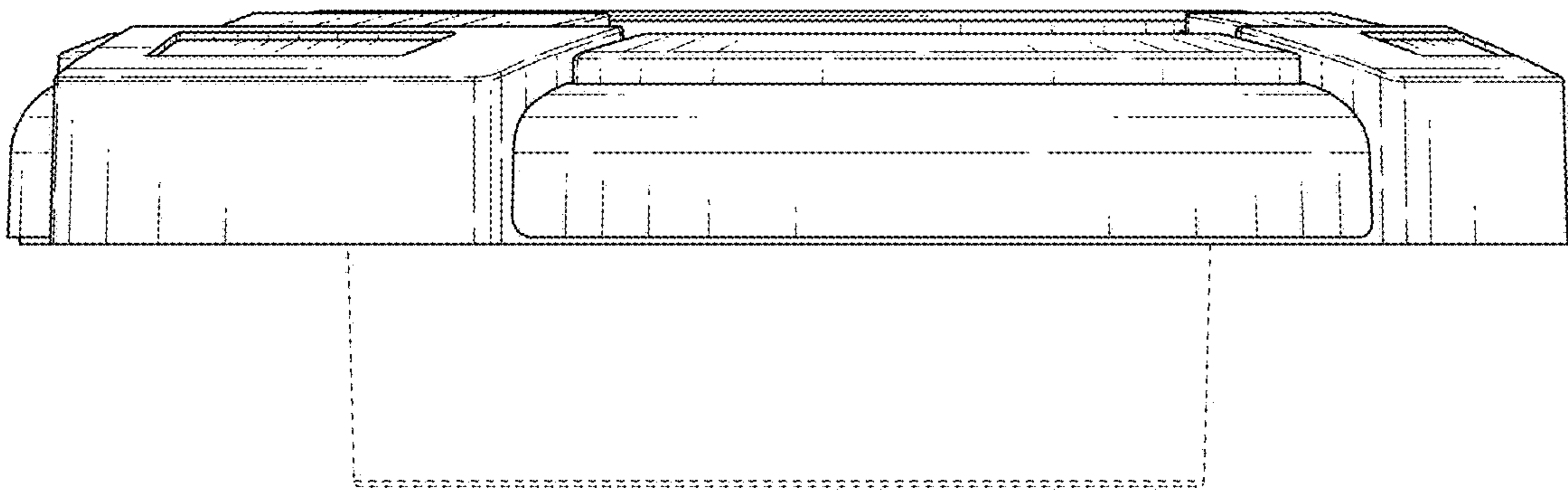


FIG. 4

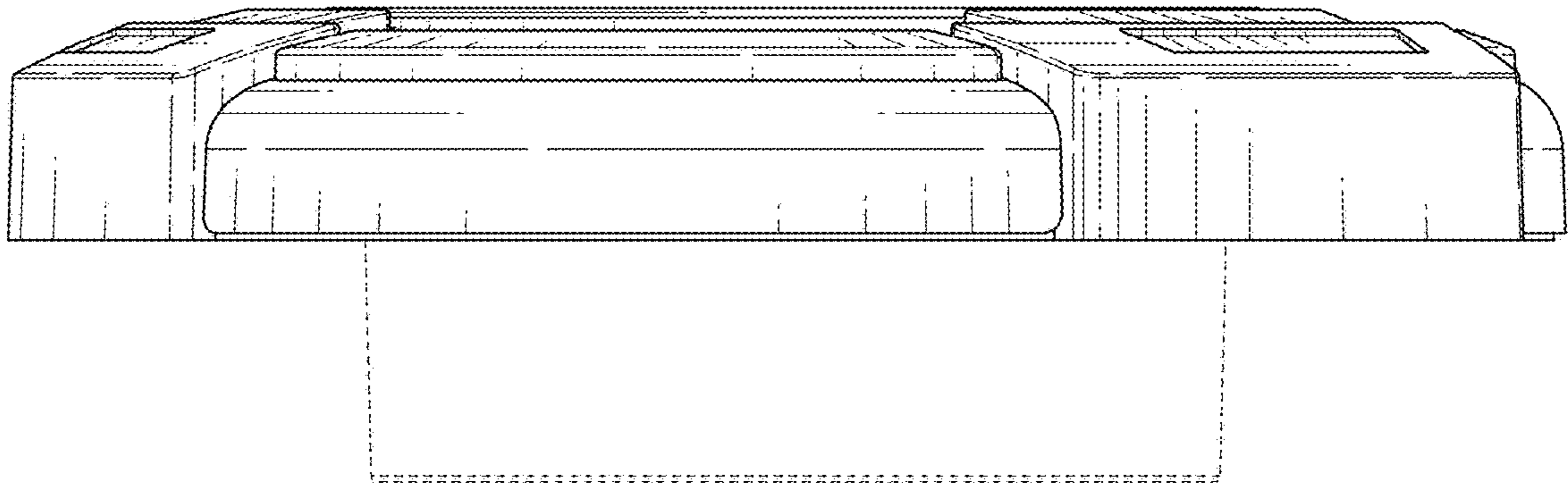


FIG. 5

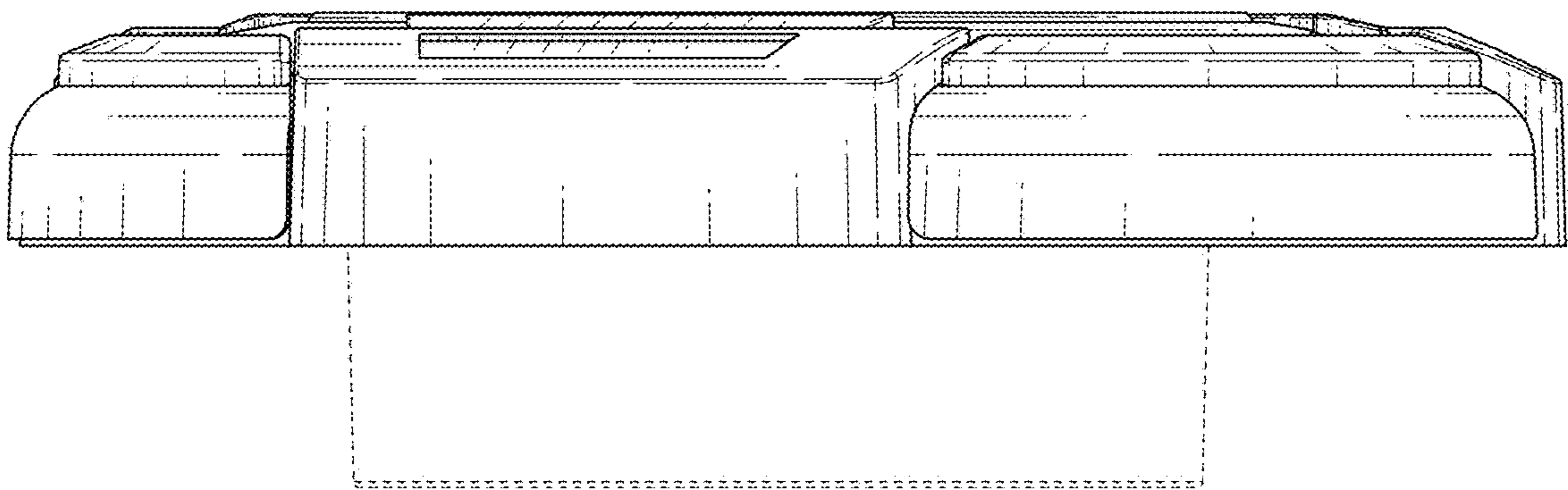


FIG. 6

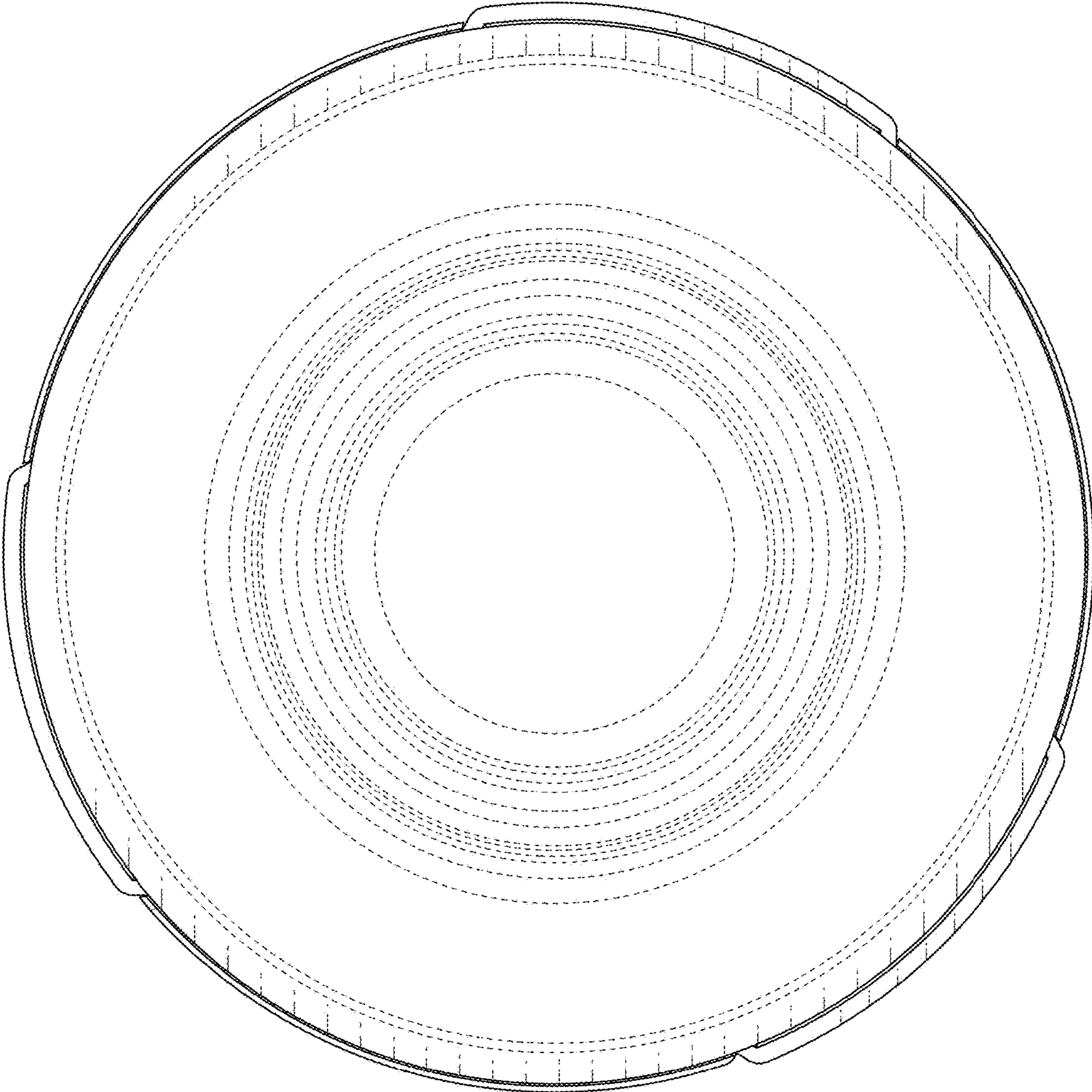


FIG. 7