



US00D833628S

(12) **United States Design Patent** (10) **Patent No.:** **US D833,628 S**  
**Davis** (45) **Date of Patent:** **\*\* Nov. 13, 2018**

(54) **SUPPORT DEVICE**

(71) Applicant: **Osborn Medical Corp.**, Utica, MN (US)

(72) Inventor: **William D. Davis**, Denver, CO (US)

(73) Assignee: **Osborn Medical Corp.**, Centennial, CO (US)

(\*\*) Term: **15 Years**

(21) Appl. No.: **29/592,246**

(22) Filed: **Jan. 27, 2017**

(51) **LOC (11) Cl.** ..... **24-02**

(52) **U.S. Cl.**  
USPC ..... **D24/190; D6/601**

(58) **Field of Classification Search**  
USPC ..... D24/183, 184, 190, 191, 192;  
D29/101.3, 120.1, 121.1, 121.2, 122;  
D6/382, 383, 384, 406.1-406.6, 596, 601,  
D6/604, 610, 611, 716.2, 716.4, 716.6,  
D6/718, 718.3; D2/720, 826, 860, 861  
CPC ..... A61G 1/003-1/013; A61G 1/04-1/052;  
A61G 7/1036; A61G 7/1053-7/1057;  
A61G 13/00; A47C 20/021-20/027; A47C  
7/18; A47C 7/50

See application file for complete search history.

(56) **References Cited**

**U.S. PATENT DOCUMENTS**

2,351,849 A \* 6/1944 Wells ..... A45D 44/10  
4/520  
4,144,951 A \* 3/1979 Rea ..... B60T 3/00  
188/32  
D282,803 S \* 3/1986 Righini ..... 5/636  
4,781,271 A \* 11/1988 Wokeck ..... B60T 3/00  
188/32  
D326,254 S \* 5/1992 Ziaylek, Jr. .... D12/217

(Continued)

**OTHER PUBLICATIONS**

Rooke HFS Accessory Pack for Practices, Hospitals and Clinics.  
[online] Retrieved Jun. 8, 2018 from URL: <http://www.osbornmedical.com/professionals/rooke-heel-float-system-accessory-pack/>.\*

(Continued)

*Primary Examiner* — Vy N Koenig

(74) *Attorney, Agent, or Firm* — Merchant & Gould P.C.

(57) **CLAIM**

The ornamental design for a support device, as shown and described.

**DESCRIPTION**

FIG. 1 is a perspective view of a first embodiment of the support device, and further showing the support device supporting a therapeutic footwear apparatus.

FIG. 2 is another perspective view of the support device.

FIG. 3 is a front view thereof.

FIG. 4 is a rear view thereof.

FIG. 5 is a right side view thereof.

FIG. 6 is a left side view thereof.

FIG. 7 is a top view thereof.

FIG. 8 is a bottom view thereof.

FIG. 9 is a perspective view of a second embodiment of the support device, and further showing the support device supporting a therapeutic footwear apparatus.

FIG. 10 is another perspective view of the support device.

FIG. 11 is a front view thereof.

FIG. 12 is a rear view thereof.

FIG. 13 is a right side view thereof.

FIG. 14 is a left side view thereof.

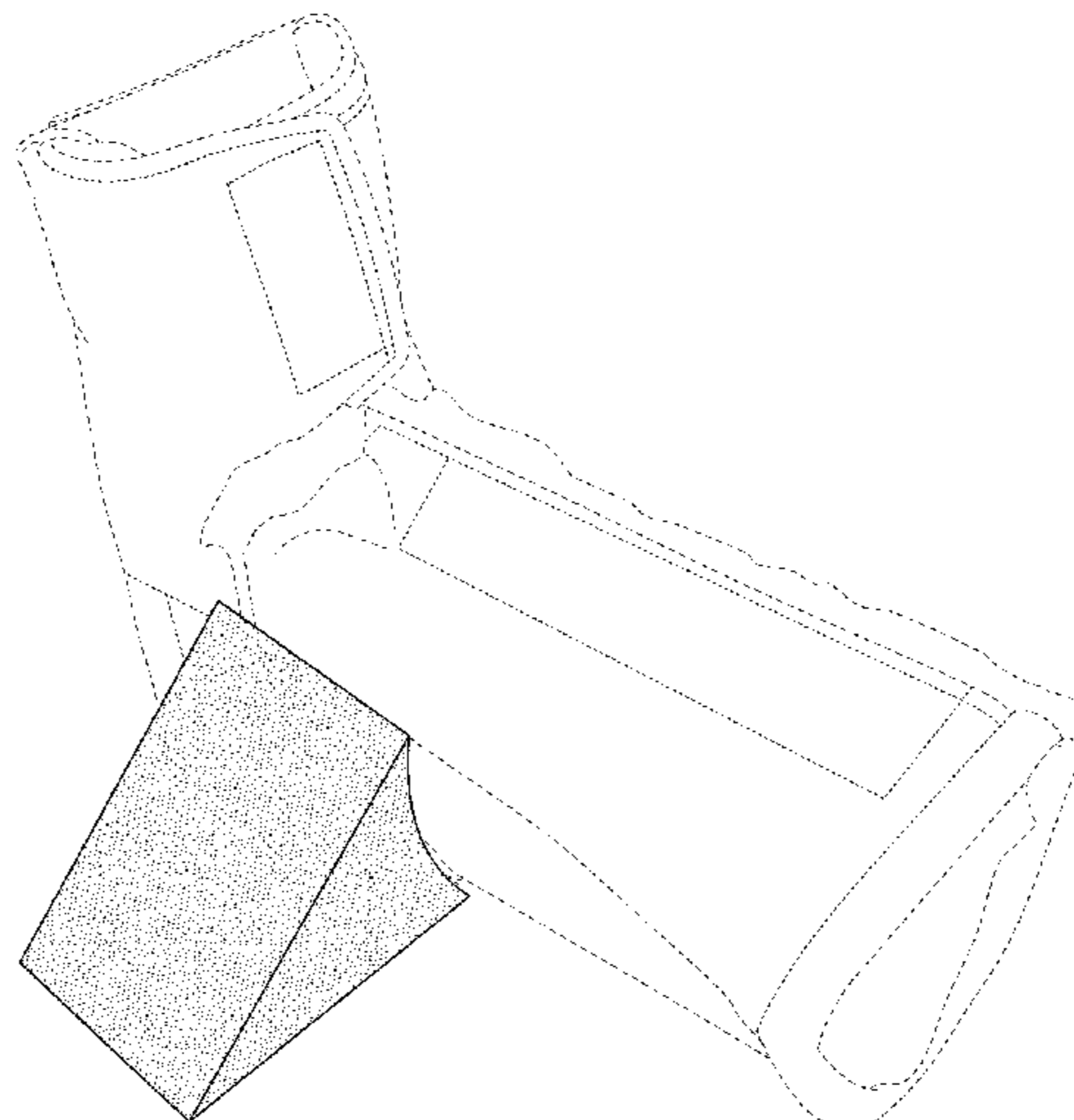
FIG. 15 is a top view thereof; and,

FIG. 16 is a bottom view thereof.

The broken lines in FIGS. 1 and 9 represent the therapeutic footwear apparatus that forms no part of the claimed design.

The broken lines in FIGS. 2-5, 7, 10, 13, and 15 represent portions of the support device that form no part of the claimed design.

**1 Claim, 10 Drawing Sheets**



(56)

**References Cited**

U.S. PATENT DOCUMENTS

D336,134 S \* 6/1993 Kalatsky ..... D24/190  
 5,432,967 A \* 7/1995 Raftery ..... A47C 16/005  
 5/633  
 D409,554 S \* 5/1999 Henry ..... D12/217  
 D509,270 S \* 9/2005 Stangler ..... D21/686  
 D587,507 S \* 3/2009 Martin ..... D6/604  
 D609,158 S \* 2/2010 Bird ..... D12/217  
 D610,852 S \* 3/2010 Rothschild ..... D6/601  
 8,152,749 B2 4/2012 Ponsi et al.  
 8,435,199 B2 5/2013 Ponsi et al.  
 8,535,255 B2 9/2013 Ponsi et al.  
 D708,752 S \* 7/2014 Oberst ..... D24/190  
 8,967,151 B2 3/2015 Davis et al.  
 D733,897 S \* 7/2015 Rossouw ..... D24/184  
 D749,873 S \* 2/2016 Latrofa ..... D6/601  
 D772,775 S \* 11/2016 Bird ..... D12/223

D778,373 S \* 2/2017 Gossett ..... D21/685  
 D805,325 S \* 12/2017 Chan ..... D6/601  
 2004/0123390 A1\* 7/2004 Takizawa ..... A47C 20/021  
 5/630  
 2008/0109961 A1\* 5/2008 Yu ..... A47G 9/10  
 5/636  
 2012/0012118 A1 1/2012 Ponsi et al.  
 2012/0145167 A1 6/2012 Davis  
 2016/0278474 A1 9/2016 Davis et al.

OTHER PUBLICATIONS

EHOB Product Catalog, <http://ehob.s3.amazonaws.com/documents/WEBCATALOG.pdf> (28 pages).  
 EHOB printout of [www.ehob.com/store/foot/truvue-heel-protector-with-wedge](http://www.ehob.com/store/foot/truvue-heel-protector-with-wedge) retrieved from archive.org, dated Feb. 8 2016 (1 page).

\* cited by examiner

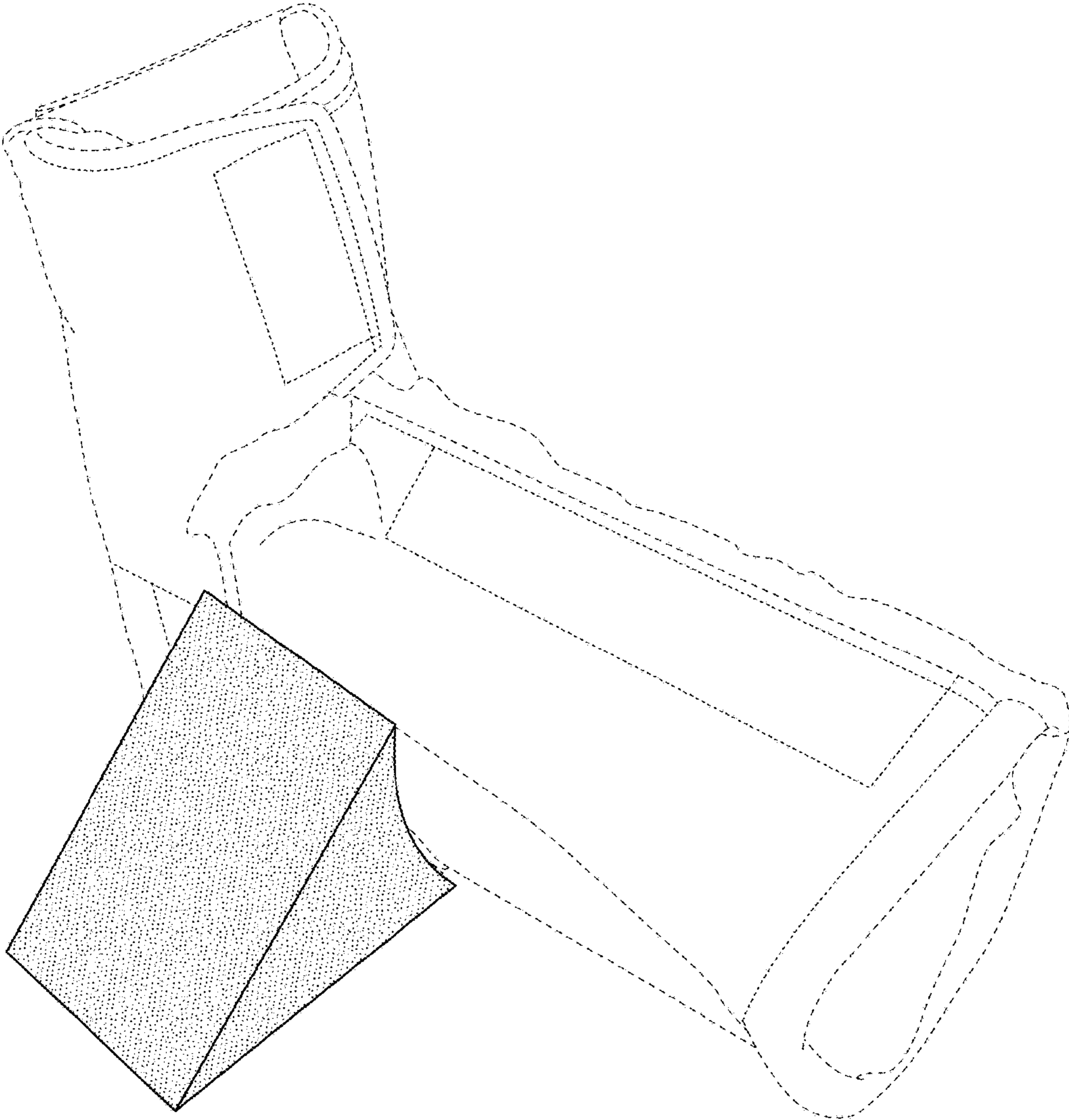


FIG. 1

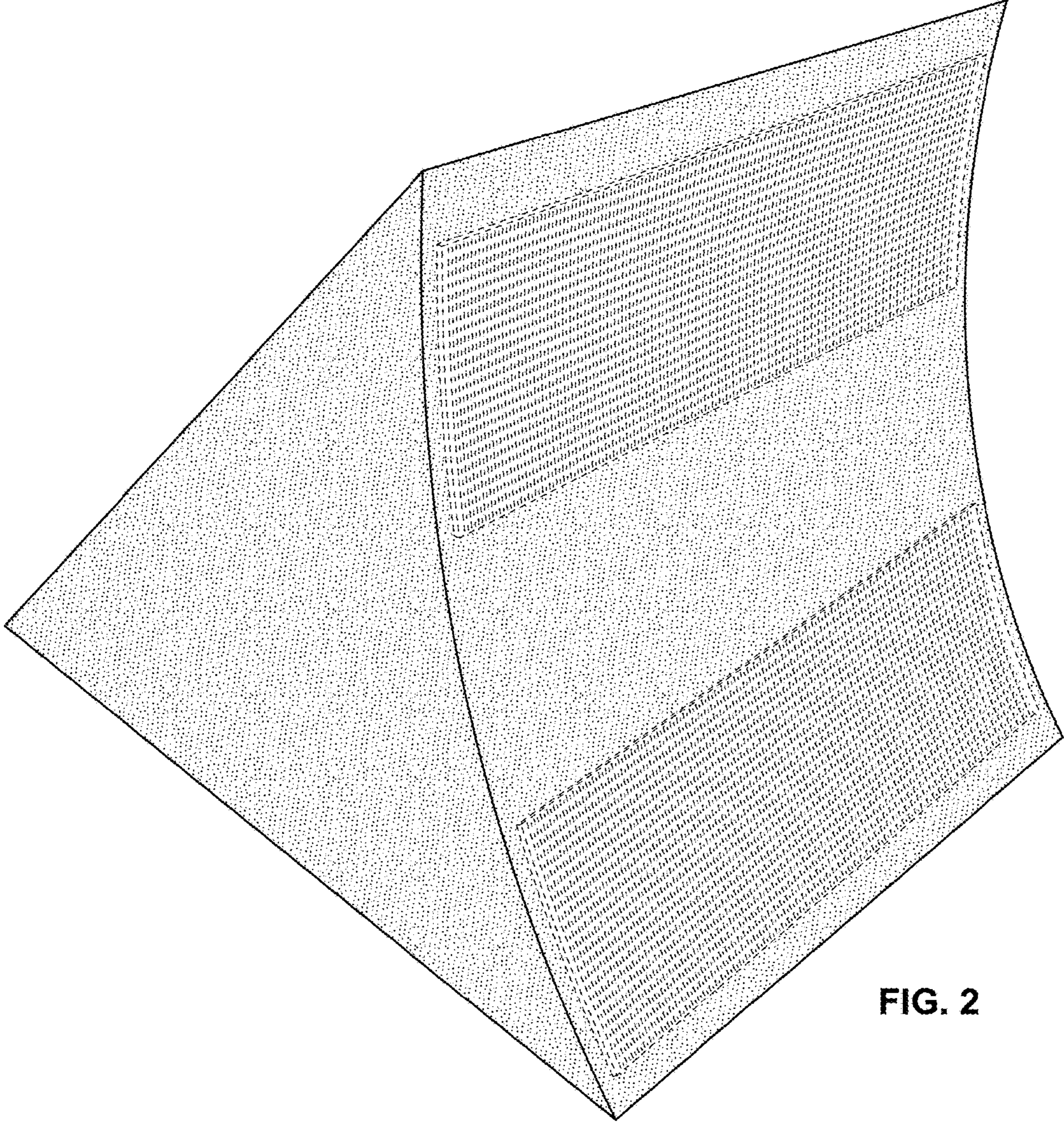


FIG. 2

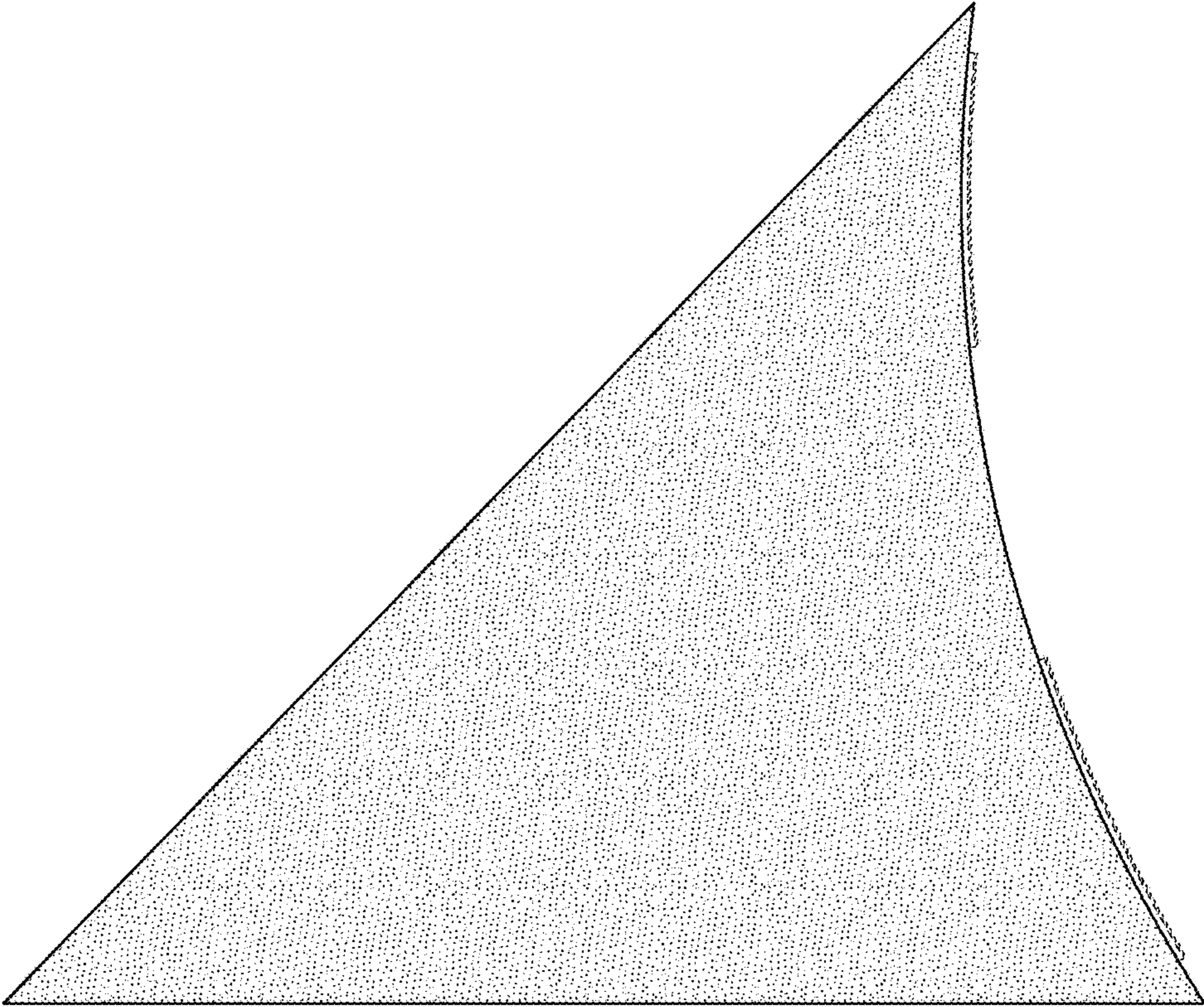


FIG. 3

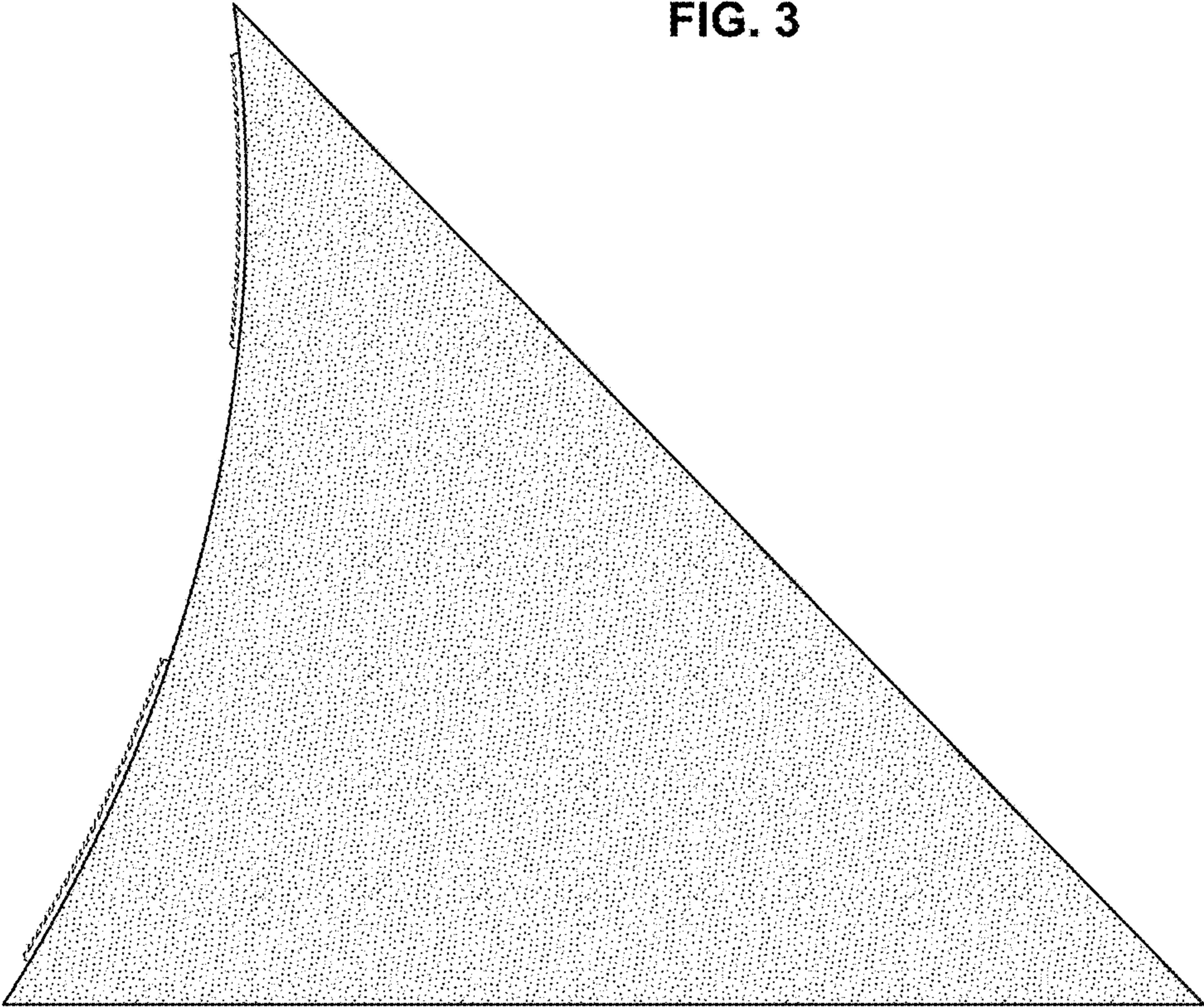


FIG. 4

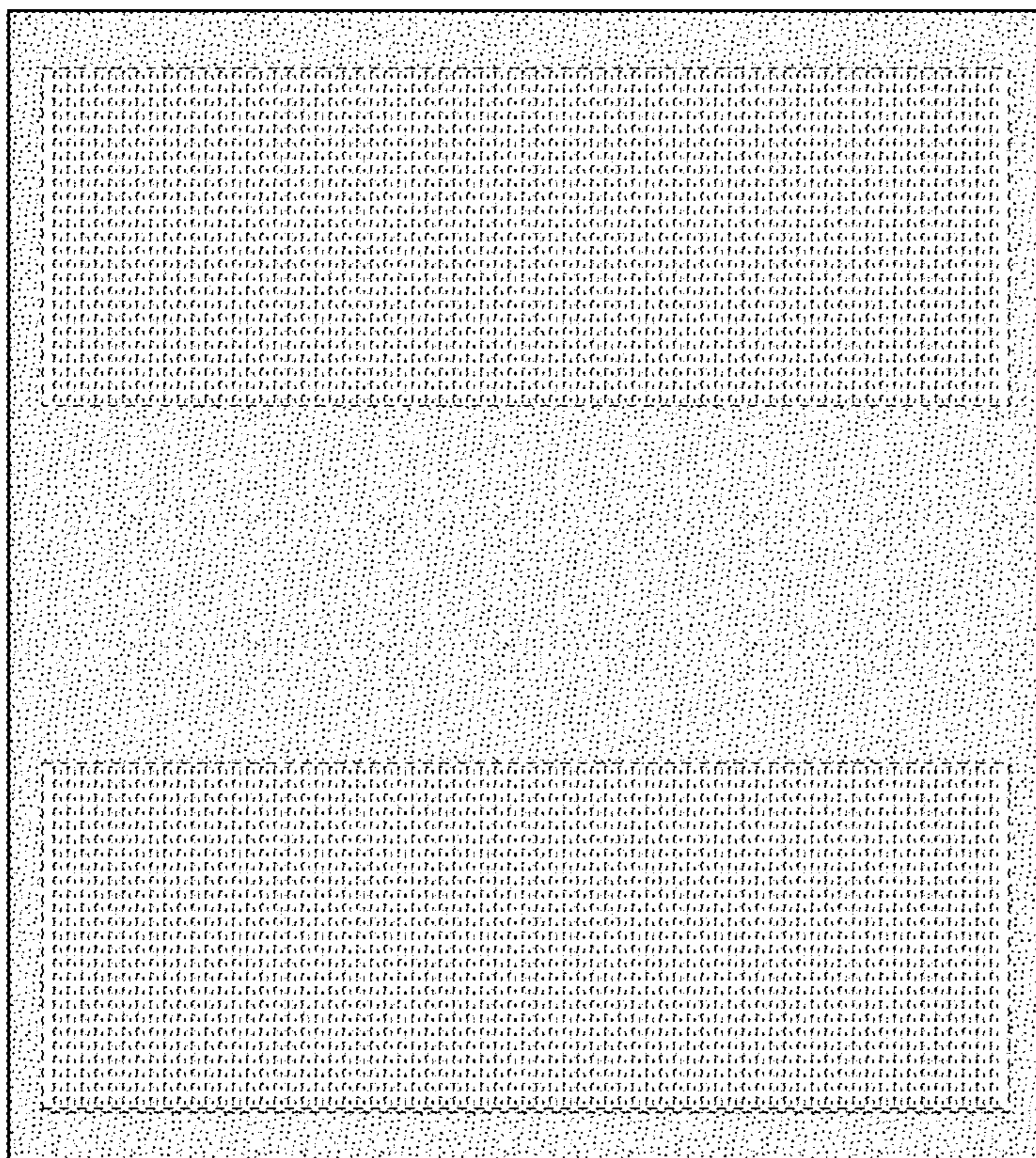


FIG. 5

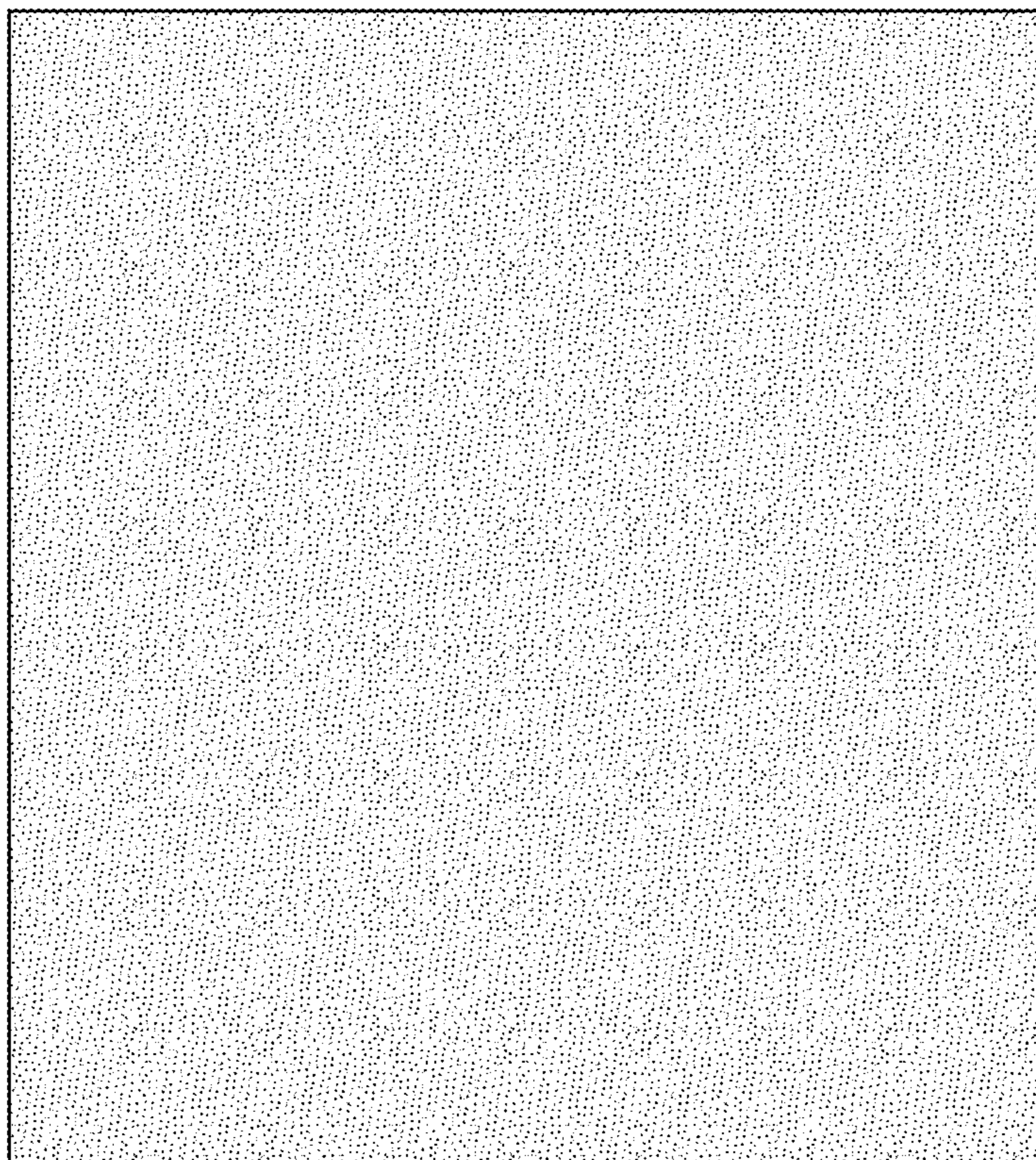


FIG. 6

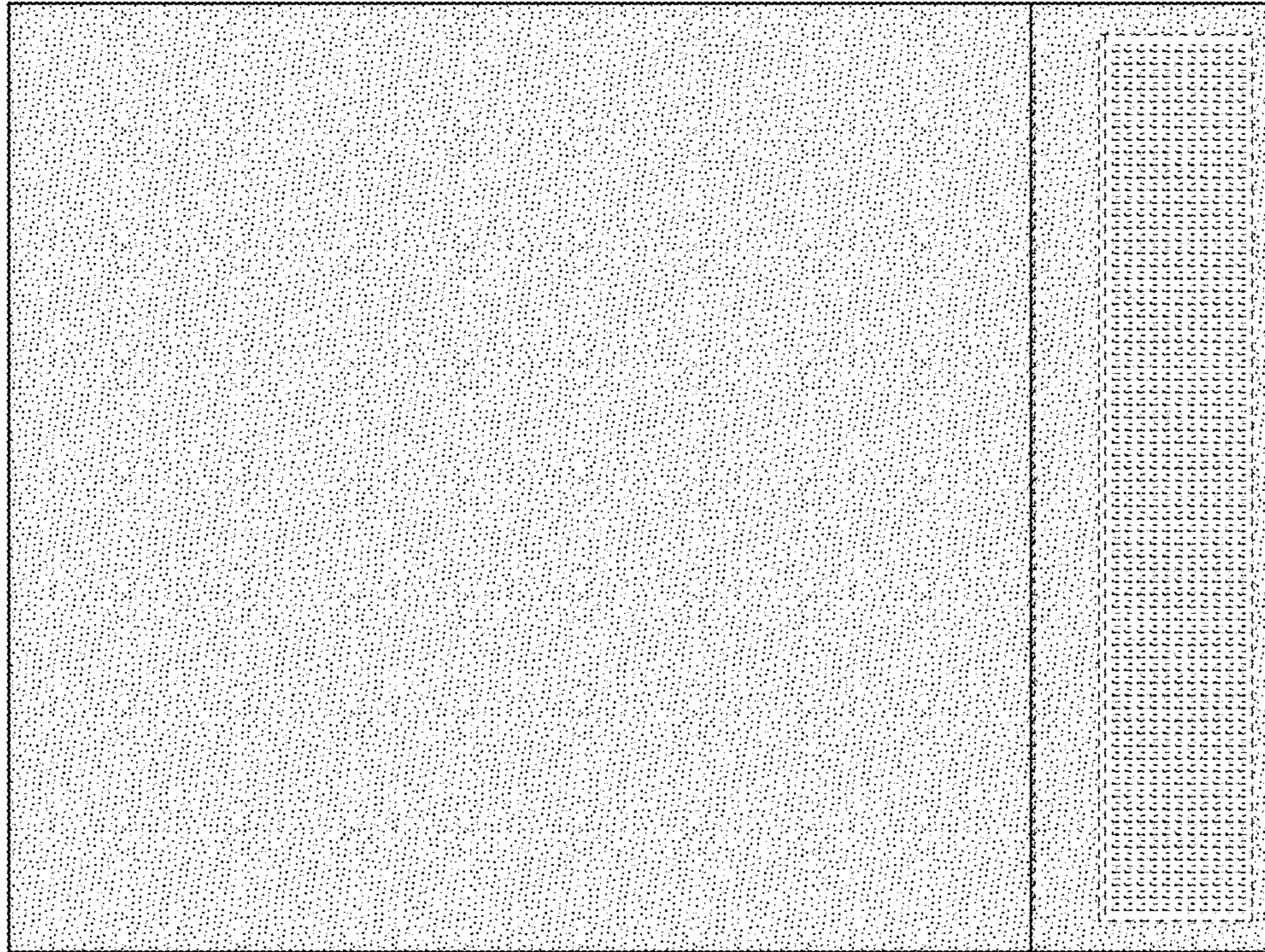


FIG. 7

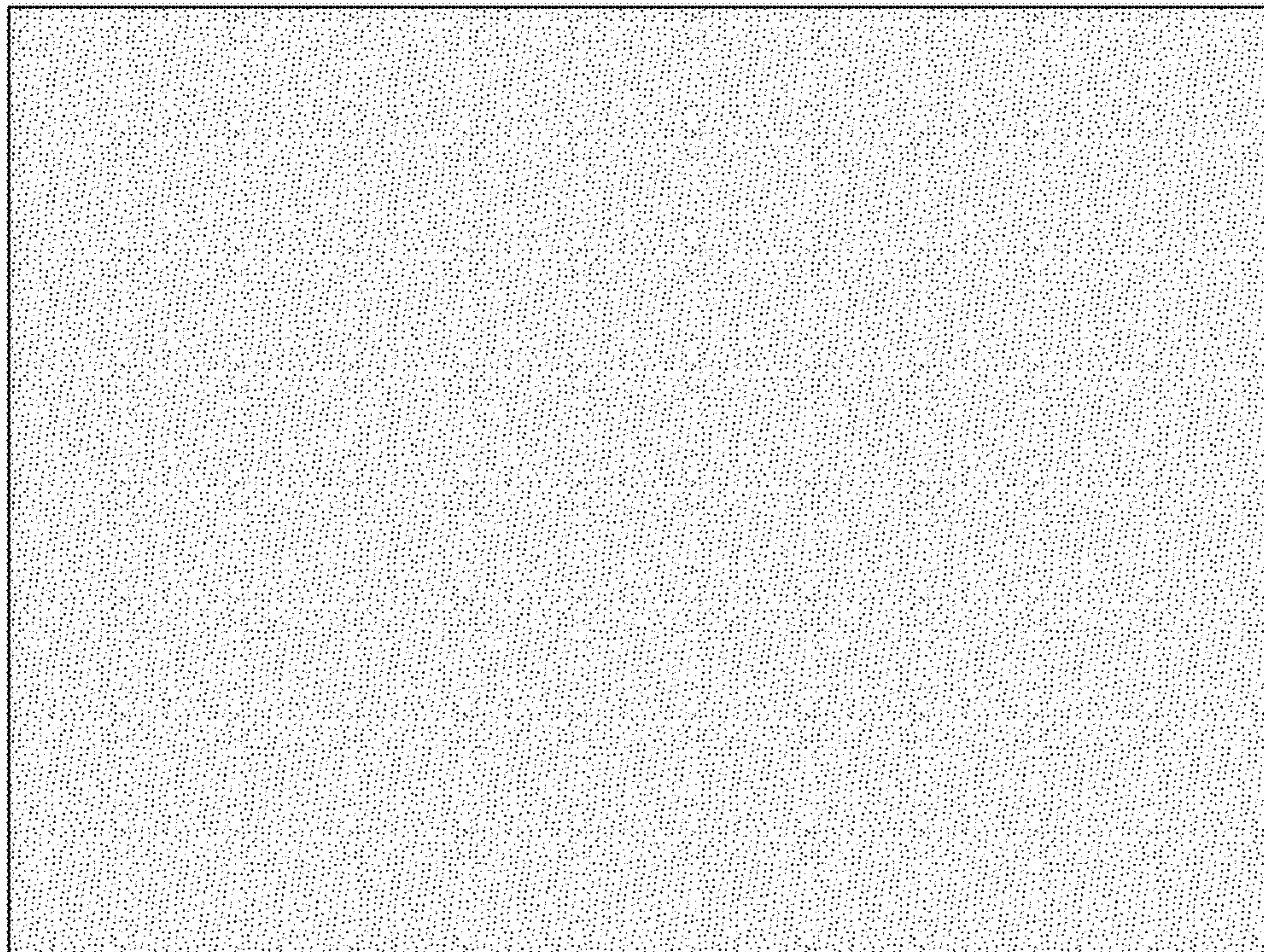


FIG. 8

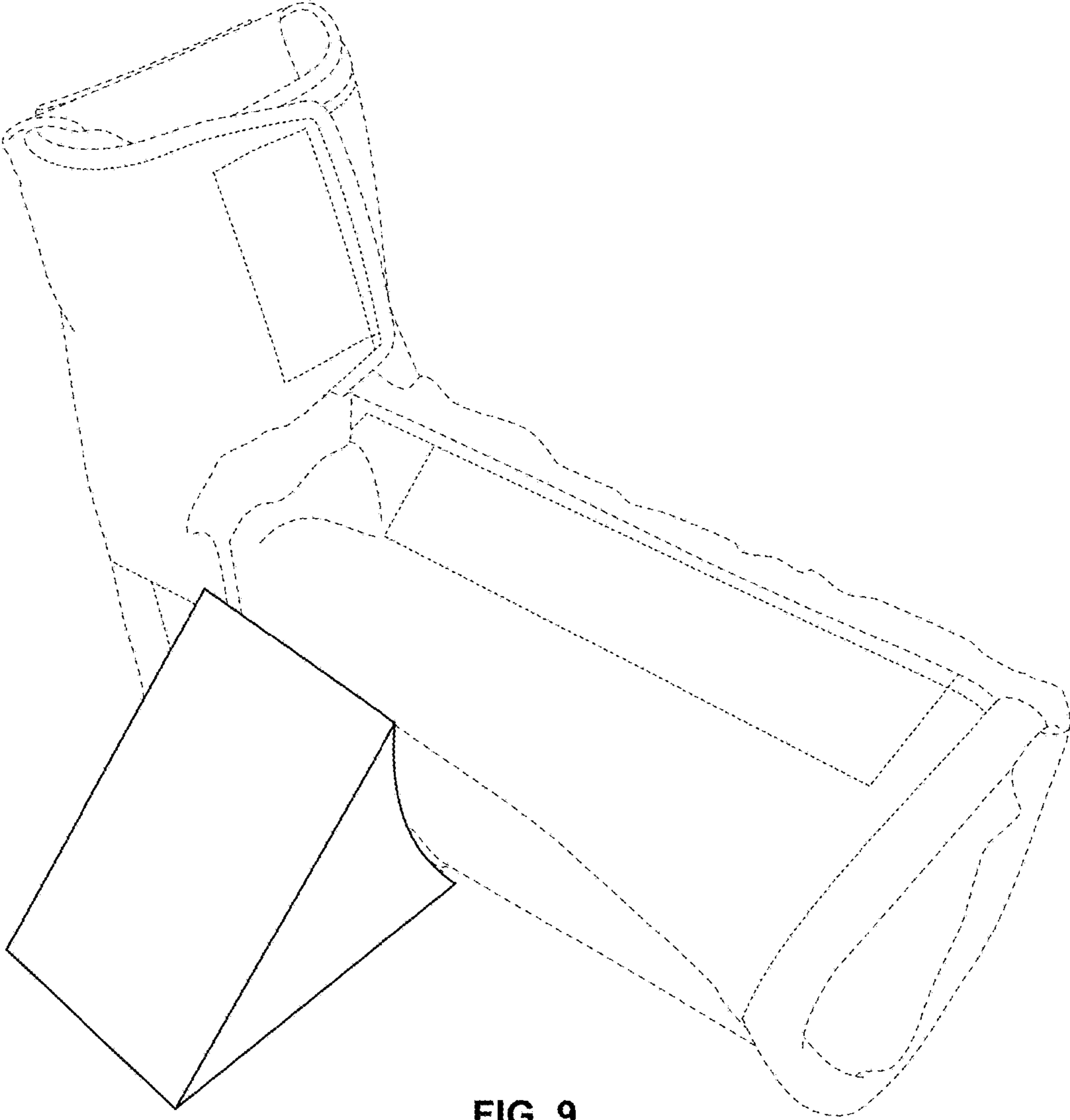


FIG. 9



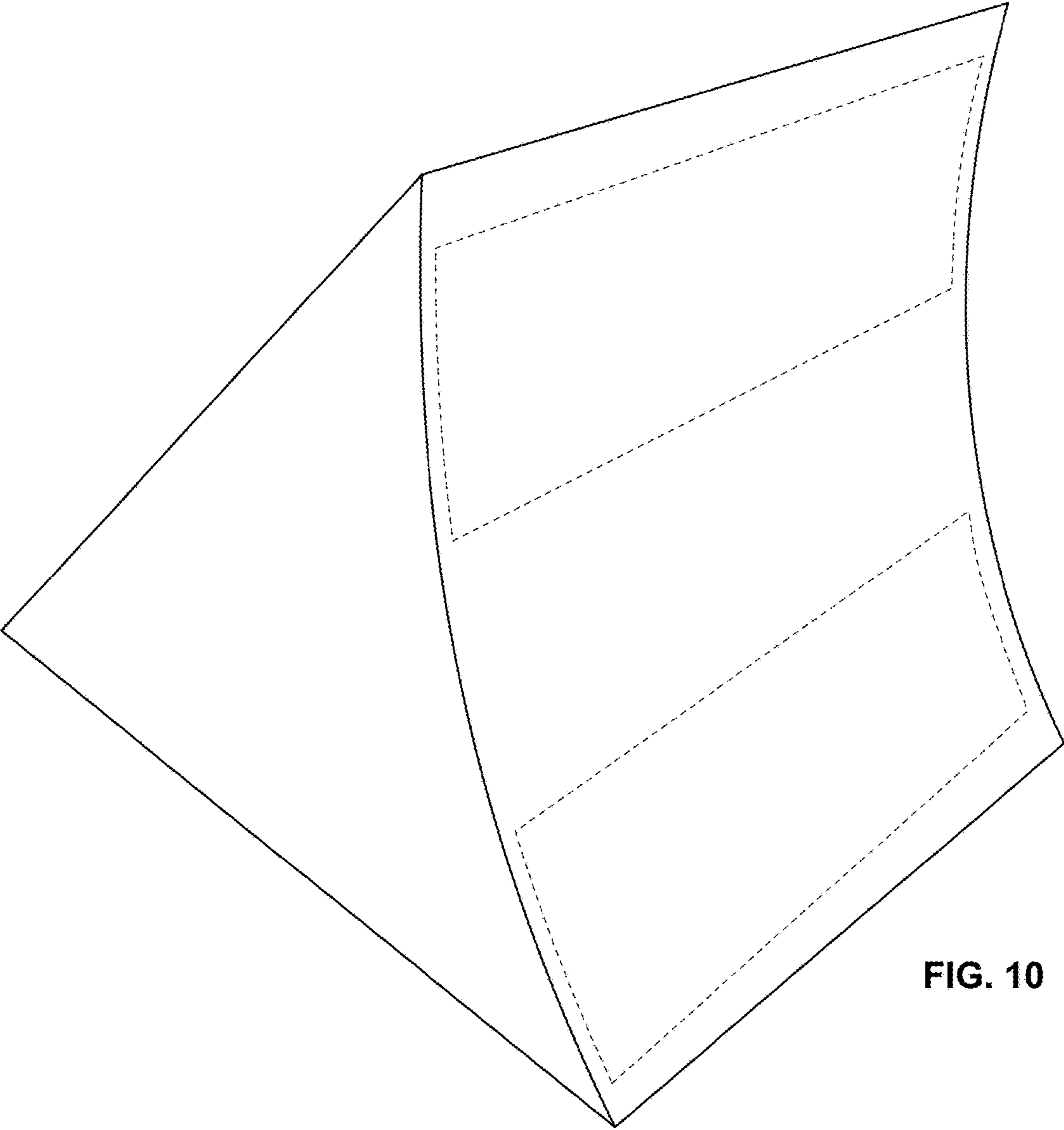


FIG. 10

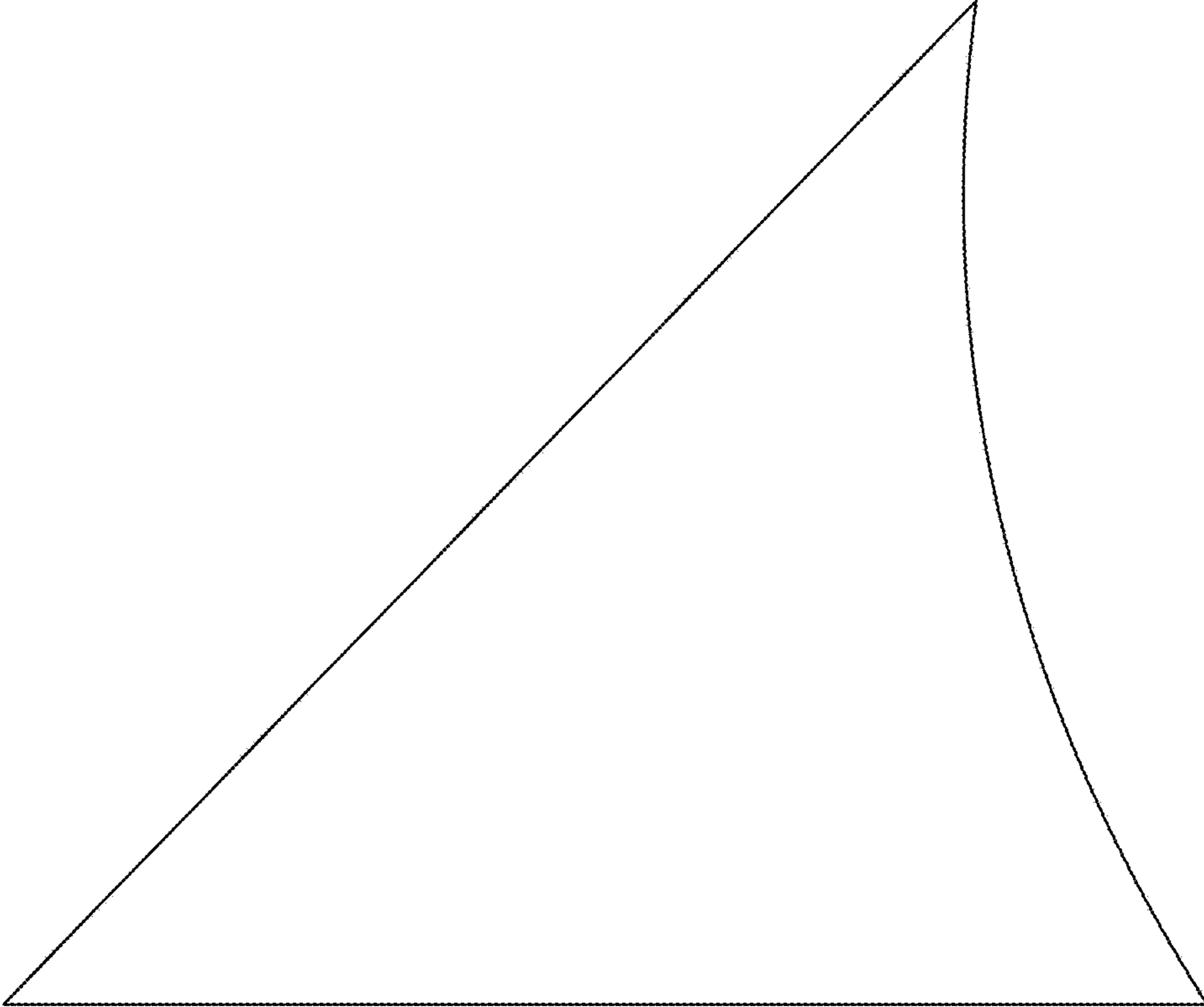


FIG. 11

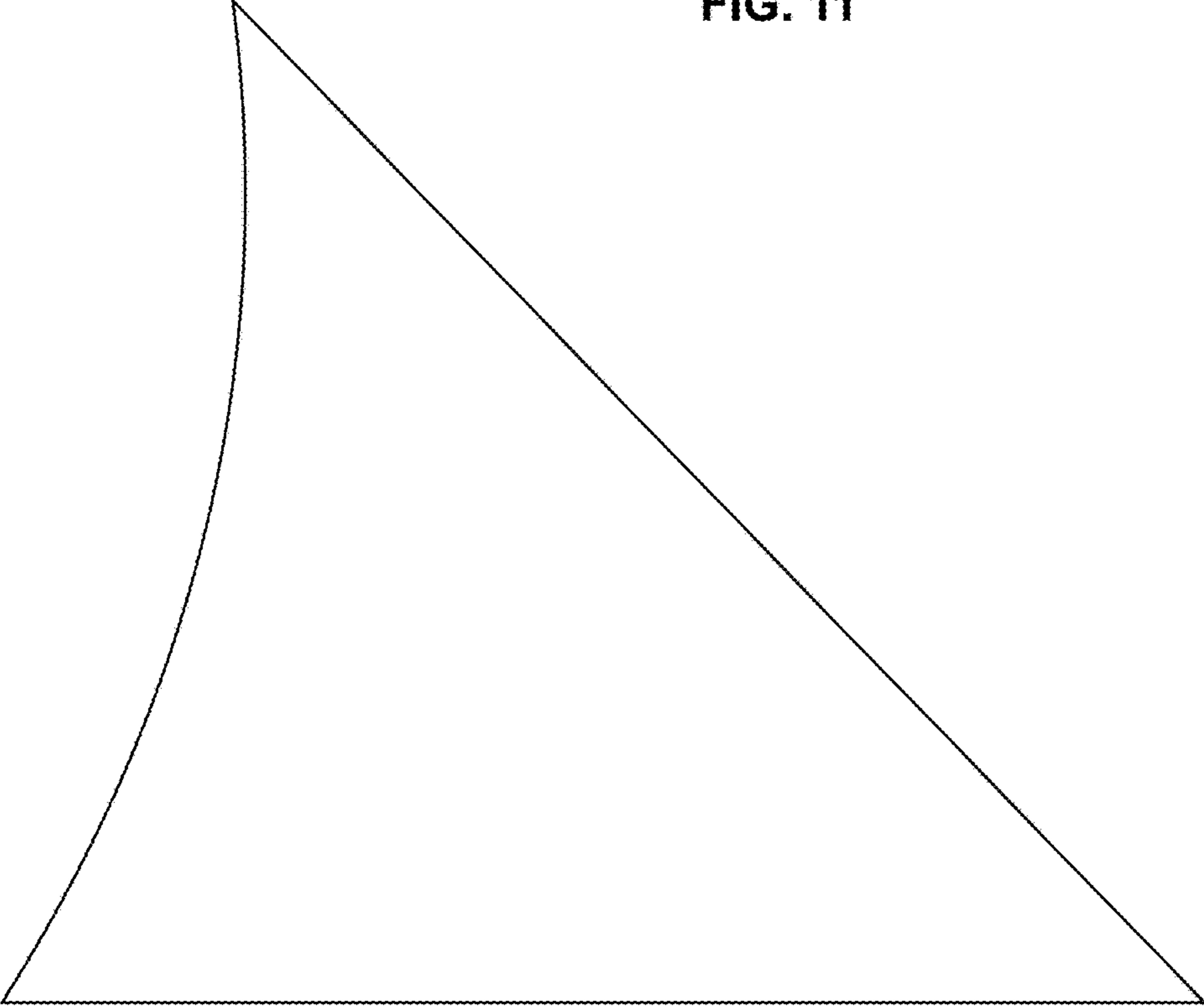
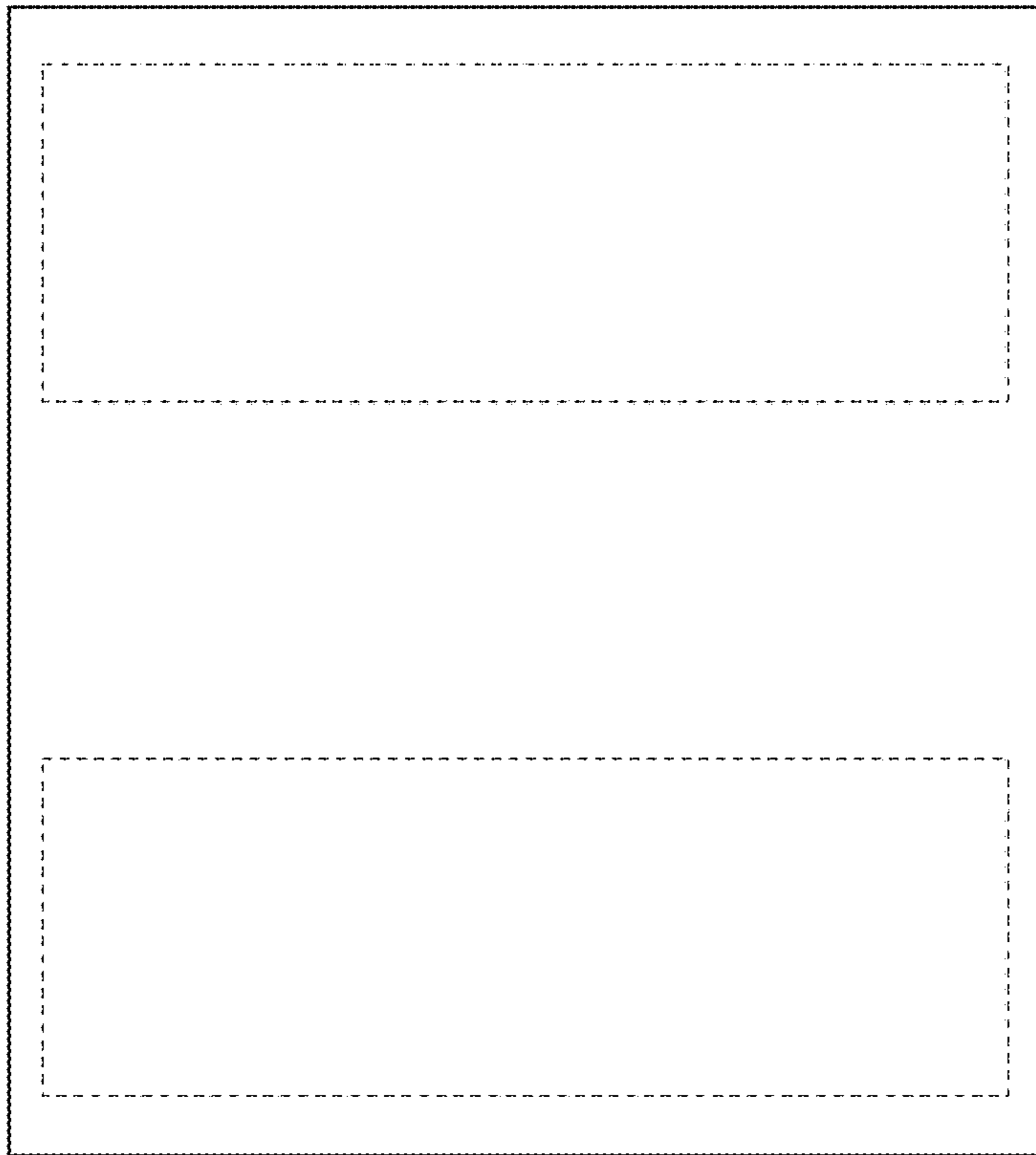
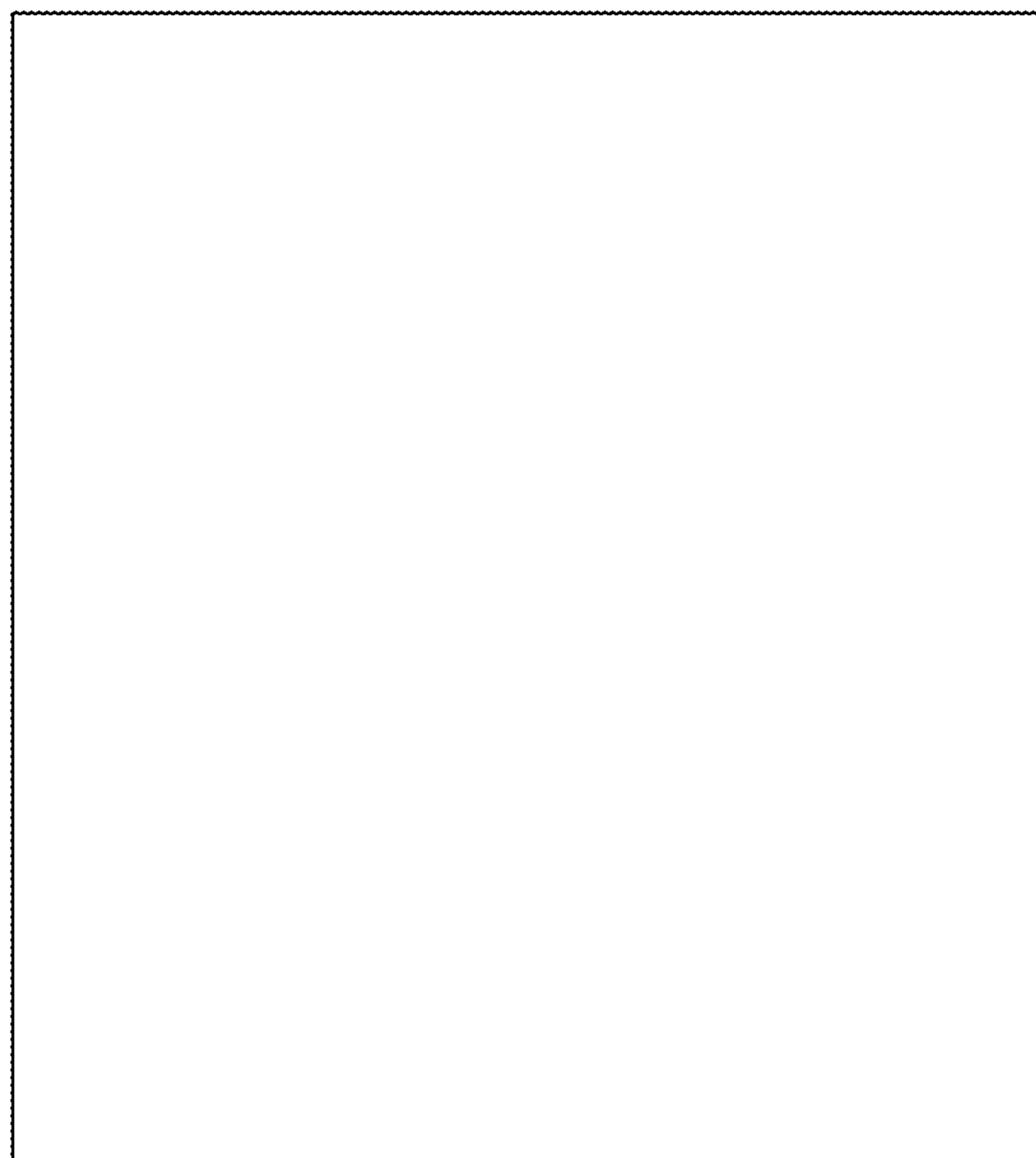


FIG. 12



**FIG. 13**



**FIG. 14**

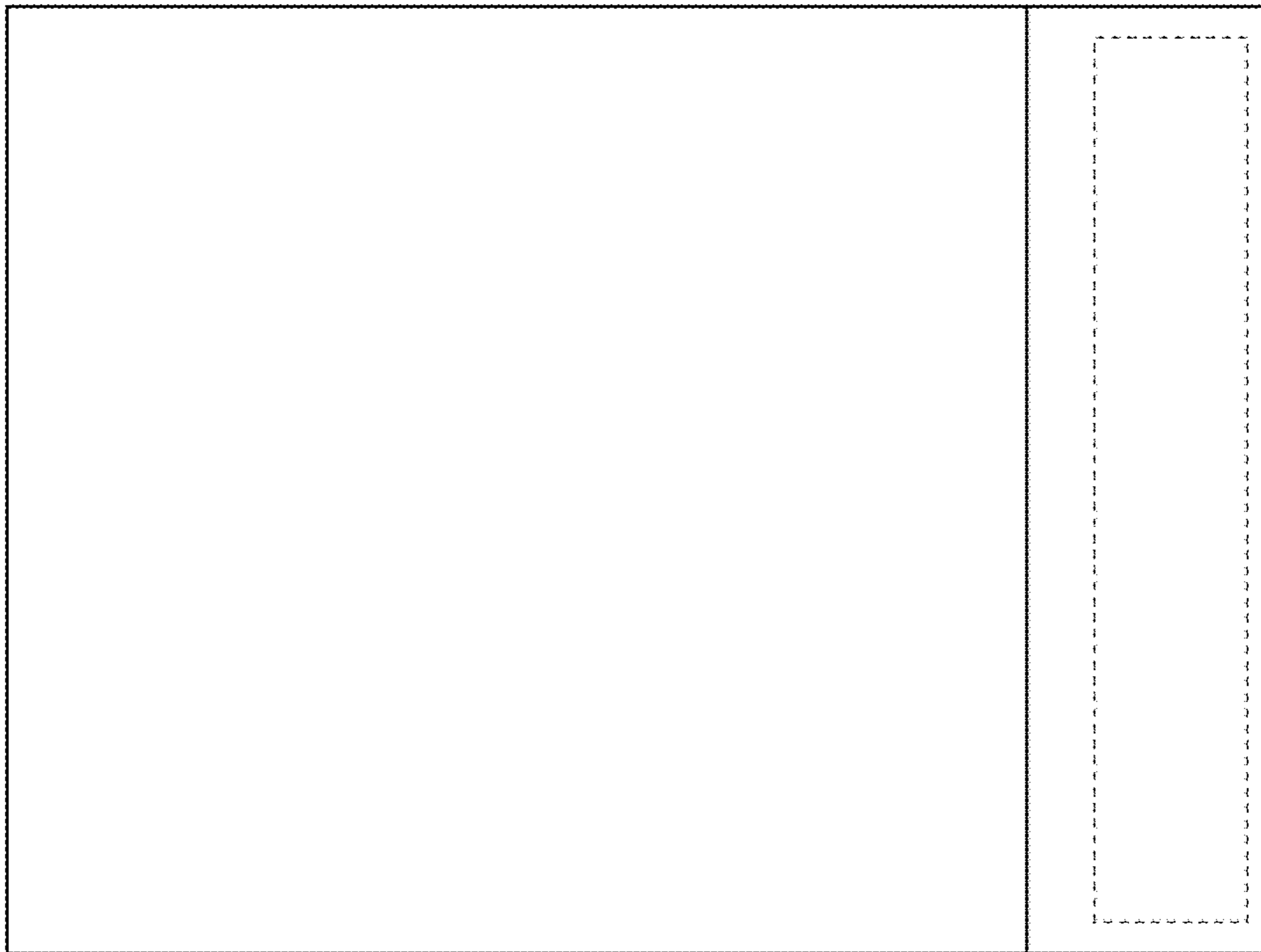


FIG. 15

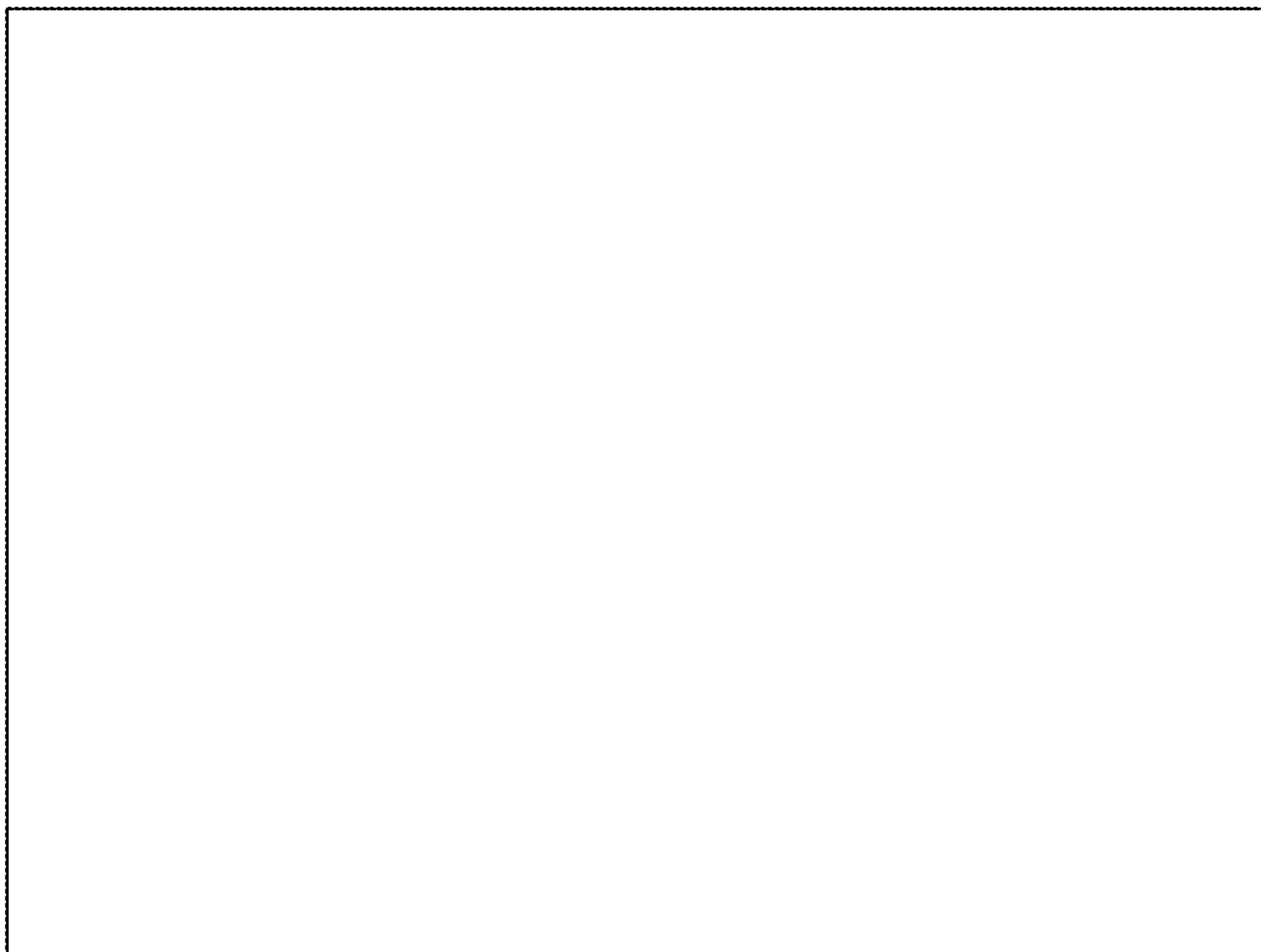


FIG. 16