



US00D833627S

(12) **United States Design Patent** (10) **Patent No.:** **US D833,627 S**
Nojiri (45) **Date of Patent:** **** Nov. 13, 2018**

(54) **DOUBLE EYELID FORMATION TAPE**

FOREIGN PATENT DOCUMENTS

(71) Applicant: **artsbrains. co. LTD.**, Shibuya-ku (JP)

JP D1514984 * 1/2015
KR 300720489.0000 * 12/2013

(72) Inventor: **Hideyuki Nojiri**, Shibuya-ku (JP)

OTHER PUBLICATIONS

(73) Assignee: **ARTS BRAINS CO., LTD.**,
Shibuya-ku (JP)

http://www.artsbrains.co.jp/goods_detail.php?id=7 Retrieved Feb. 6, 2018 (Year: 2018).*

(**) Term: **15 Years**

Primary Examiner — Susan Bennett Hattan

(21) Appl. No.: **29/593,825**

Assistant Examiner — Leanne Was-Englehart

(22) Filed: **Feb. 13, 2017**

(74) *Attorney, Agent, or Firm* — Oblon, McClelland,
Maier & Neustadt, L.L.P.

(30) **Foreign Application Priority Data**

(57) **CLAIM**

Aug. 17, 2016 (JP) 2016-017509

The ornamental design for a double eyelid formation tape, as shown and described.

(51) **LOC (11) Cl.** **28-03**

(52) **U.S. Cl.**
USPC **D24/189**

DESCRIPTION

(58) **Field of Classification Search**

USPC D24/133, 145, 150, 157, 172, 189, 190,
D24/231; D28/73, 76, 93, 99; 428/40.1,
428/41.8

CPC .. A45D 44/00; A45D 44/22; C09J 5/00; C09J
7/0253; Y10T 428/14; Y10T 428/28;
Y10T 428/1457; Y10T 428/1476; Y10T
428/1486

See application file for complete search history.

FIG. 1 is a front, top, and left side perspective view of a double eyelid formation tape;

FIG. 2 is a front elevational view thereof, the rear elevational view being a mirror image of the front elevational view shown;

FIG. 3 is a right side elevational view thereof, the left side elevational view being a mirror image of the right side elevational view shown;

FIG. 4 is a top plan view thereof, the bottom plan view being a mirror image of the top plan view shown;

FIG. 5 is an enlarged partial front elevational view thereof, taken along the section indicated by the dot-dash broken line rectangle 5 in FIG. 2; and,

FIG. 6 is an enlarged cross-sectional view thereof, taken along lines 6-6 in FIG. 2.

The evenly spaced broken lines in the drawings illustrate subject matter that forms no part of the claimed design. The dot-dash broken lines in the drawings depict the limits of the enlarged view of FIG. 5 and form no part of the claimed design.

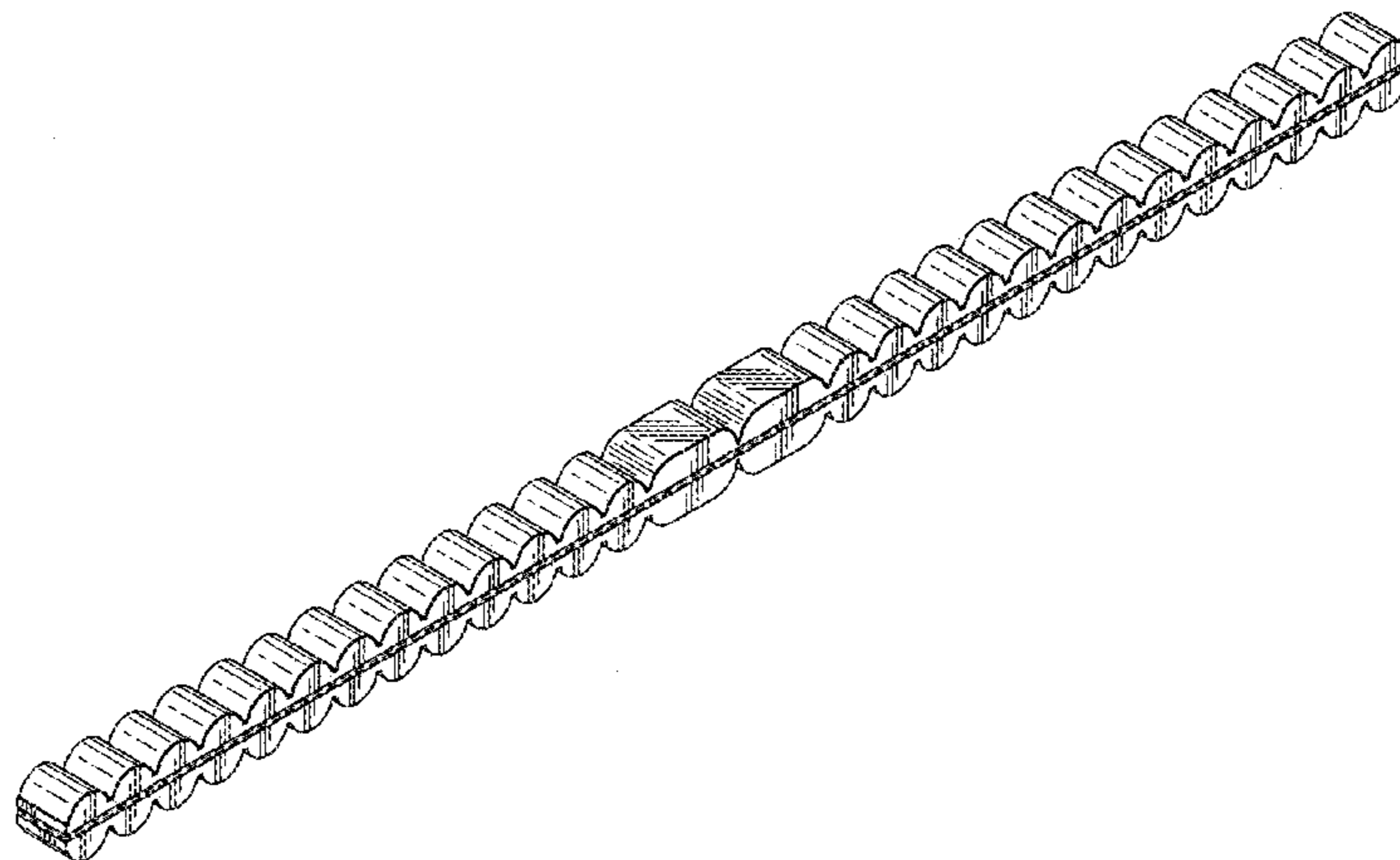
(56) **References Cited**

U.S. PATENT DOCUMENTS

2,527,947 A * 10/1950 Loos A61F 9/04
128/858
D239,059 S * 3/1976 Newman D24/189
D439,342 S * 3/2001 Seip, Jr. D24/190
D439,371 S * 3/2001 Amen-Ra A D28/4
D445,538 S * 7/2001 A. D28/4
D447,278 S * 8/2001 A. D11/75
D447,599 S * 9/2001 A. D11/75
D448,113 S * 9/2001 A. D11/75

(Continued)

1 Claim, 4 Drawing Sheets



(56)

References Cited

U.S. PATENT DOCUMENTS

D556,330	S *	11/2007	Auerbach	D24/190
D584,911	S *	1/2009	Hisey	D21/803
D636,881	S *	4/2011	Clemens	D24/189
D649,255	S *	11/2011	Kase	D24/189
D657,832	S *	4/2012	Beber	D21/683
D679,405	S *	4/2013	Arbesman	D24/189
D685,484	S *	7/2013	Brambilla	D24/190
D709,206	S *	7/2014	Reese	D24/190
D743,566	S *	11/2015	Arbesman	D24/189
D751,720	S *	3/2016	Williams	D24/190
D780,317	S *	2/2017	Vandervoort	D24/189
D804,679	S *	12/2017	Kase	D24/189
2002/0041956	A1 *	4/2002	Nojiri	A45D 44/00 428/343
2015/0113812	A1 *	4/2015	Iwagaki	A45D 44/22 30/286
2016/0073768	A1 *	3/2016	Iwagaki	A45D 44/22 606/204.25
2016/0198835	A1 *	7/2016	Iwagaki	A45D 44/22 428/41.8

* cited by examiner

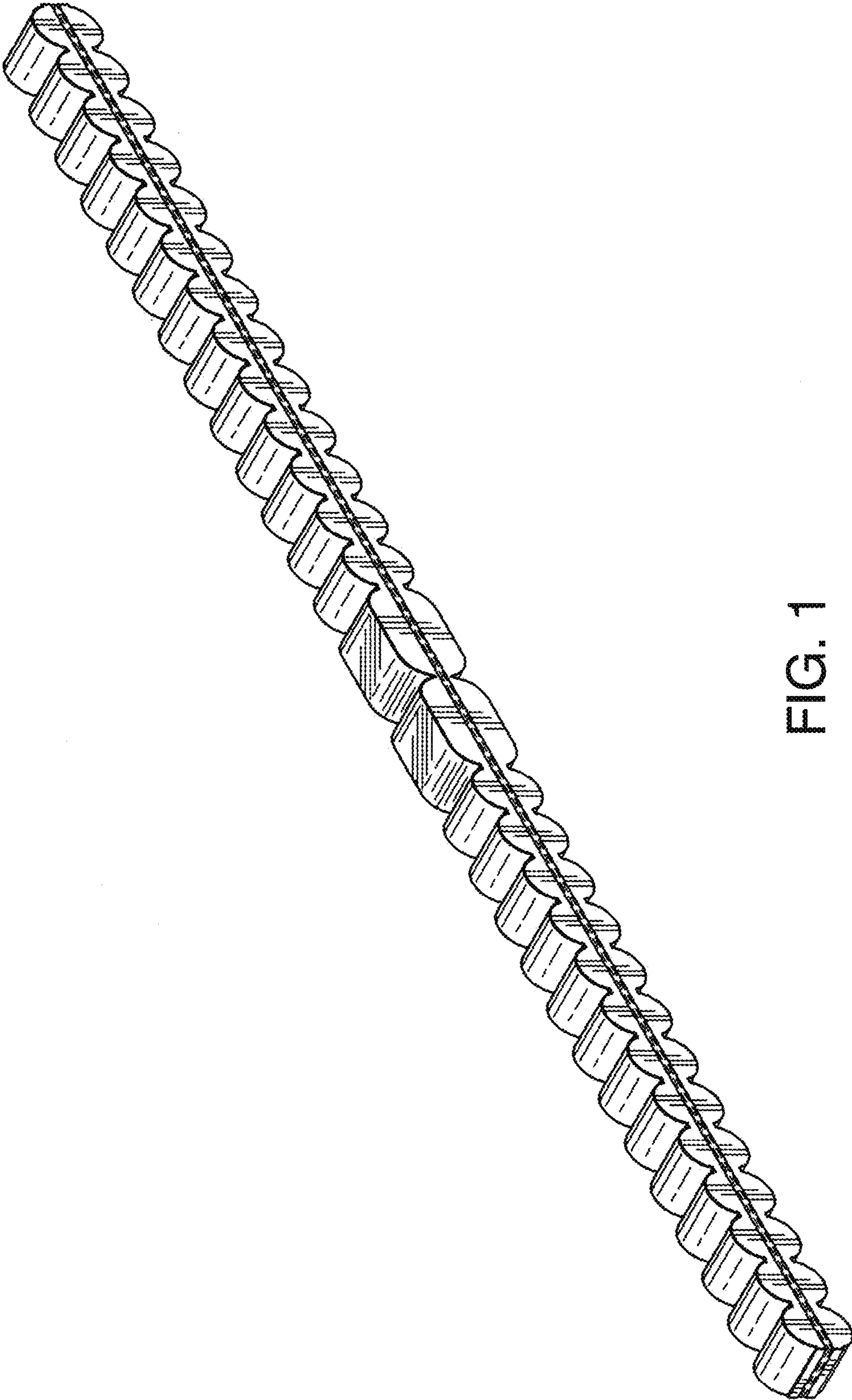


FIG. 1

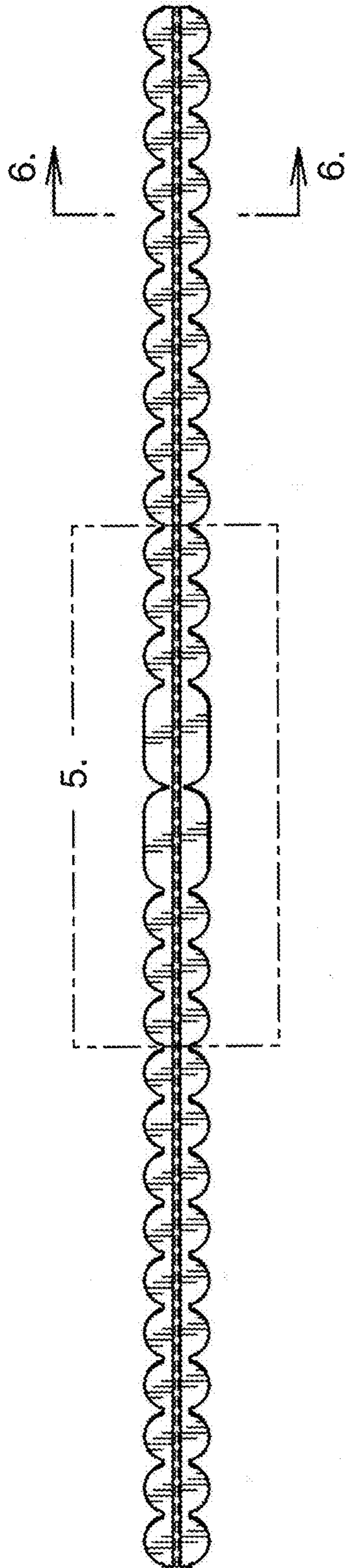


FIG. 2

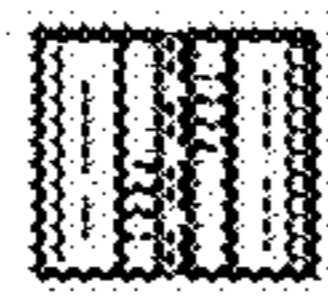


FIG. 3

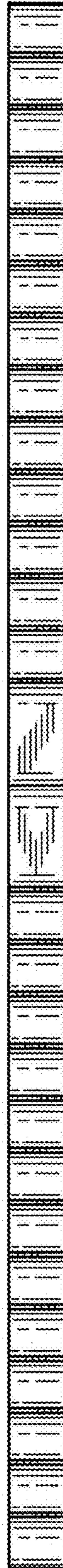


FIG. 4

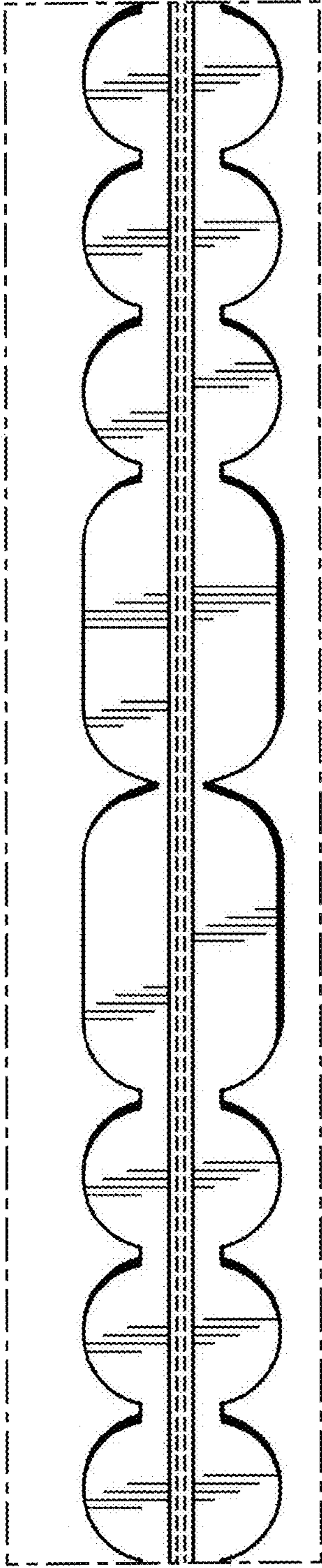


FIG. 5

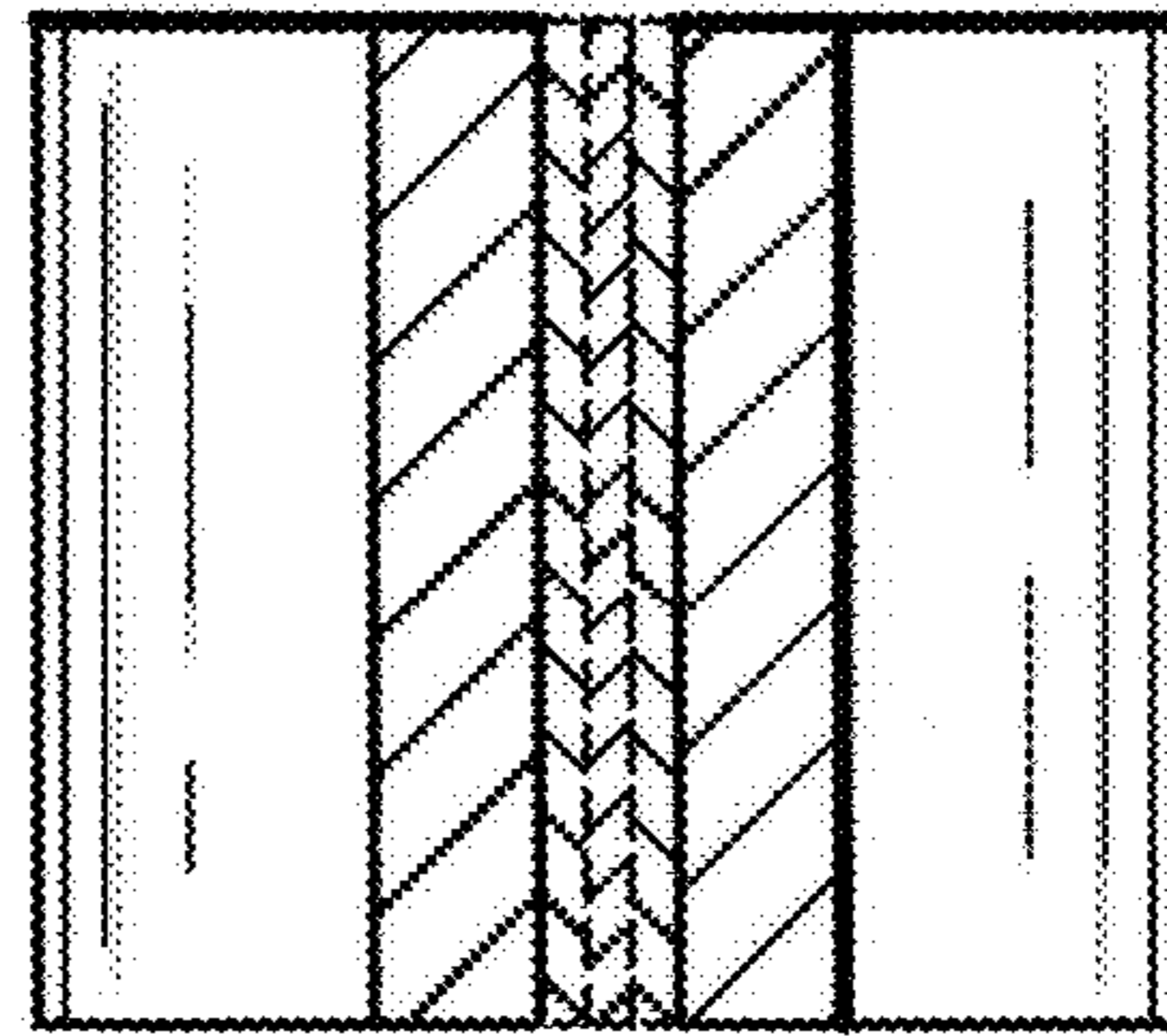


FIG. 6