



US00D833624S

(12) **United States Design Patent** (10) **Patent No.:** **US D833,624 S**
DeJong et al. (45) **Date of Patent:** **** Nov. 13, 2018**

(54) **MEDICAL DEVICE**
 (71) Applicant: **Masimo Corporation**, Irvine, CA (US)
 (72) Inventors: **Chad A. DeJong**, Los Angeles, CA (US); **Steven Egge**, Laguna Hills, CA (US); **Sujin Hwang**, Irvine, CA (US)
 (73) Assignee: **Masimo Corporation**, Irvine, CA (US)

D745,167 S * 12/2015 Canas D24/186
 9,474,474 B2 * 10/2016 Lamego A61B 5/14532
 D788,312 S * 5/2017 Al-Ali D24/186
 D794,803 S * 8/2017 Thom D24/169
 2010/0254581 A1 * 10/2010 Neeser A61B 5/0077
 382/128
 2014/0275881 A1 * 9/2014 Lamego A61B 5/14532
 600/323

(**) Term: **15 Years**
 (21) Appl. No.: **29/603,372**

* cited by examiner
Primary Examiner — Anhdoa Doan
 (74) *Attorney, Agent, or Firm* — Knobbe Martens Olson & Bear LLP

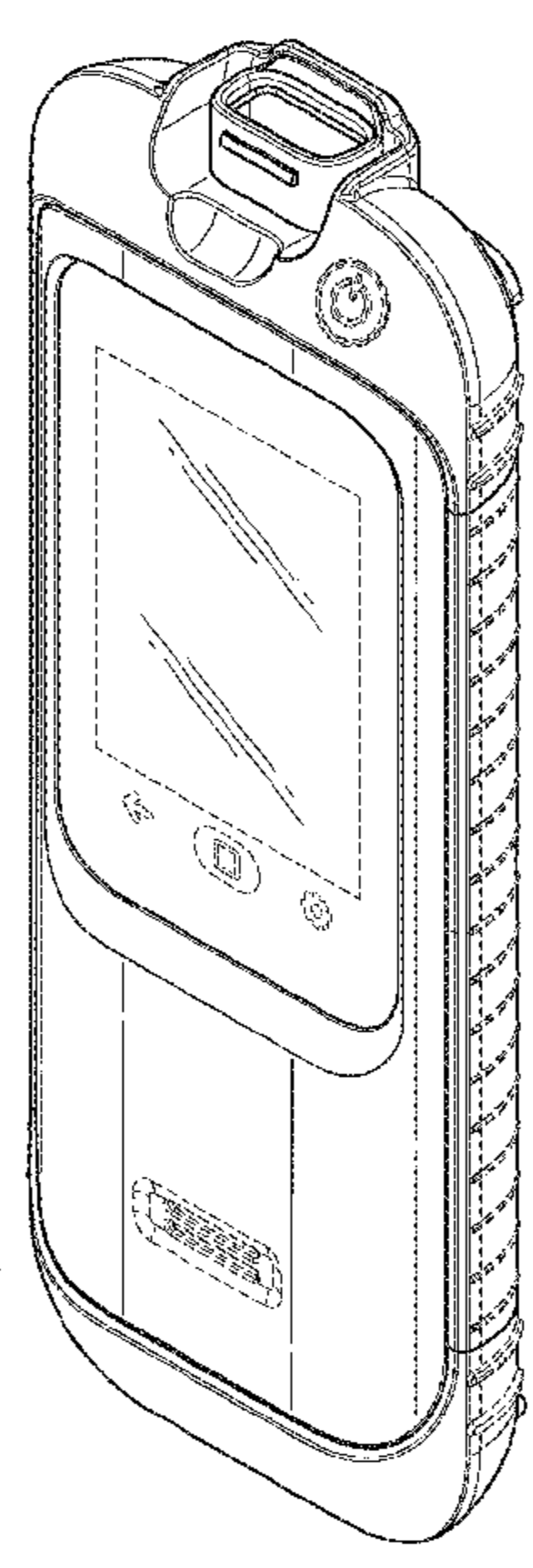
(22) Filed: **May 9, 2017**
 (51) **LOC (11) Cl.** **24-02**
 (52) **U.S. Cl.**
 USPC **D24/186**
 (58) **Field of Classification Search**
 USPC D24/164–168, 186, 107; D10/75, 70, 98,
 D10/103; D14/344, 138 R, 138 AA
 CPC . G01F 1/1654; A61B 5/0002; A61B 5/02055;
 A61B 5/02438; A61B 5/6898; A61B
 5/002; A61B 5/7455; A61B 5/7445; A61B
 2560/0205; A61B 2560/0462; A61B
 2560/045
 See application file for complete search history.

(57) **CLAIM**
 The ornamental design for a medical device, as shown and described.

(56) **References Cited**
 U.S. PATENT DOCUMENTS
 D606,659 S * 12/2009 Massi D24/186
 D659,836 S * 5/2012 Bensch D24/167
 D663,421 S * 7/2012 Steiner D24/169
 8,353,842 B2 * 1/2013 Al-Ali A61B 5/7475
 600/476
 D729,939 S * 5/2015 Moon D24/169
 D741,497 S * 10/2015 Aber D24/167

DESCRIPTION
 FIG. 1 is a front perspective view of a medical device embodying our new design;
 FIG. 2 is a front view thereof;
 FIG. 3 is a rear view thereof;
 FIG. 4 is a first side view thereof;
 FIG. 5 is a second side view thereof;
 FIG. 6 is a top view thereof;
 FIG. 7 is a bottom view thereof;
 FIG. 8 is a front perspective view of another medical device;
 FIG. 9 is a front view thereof;
 FIG. 10 is a rear view thereof;
 FIG. 11 is a first side view thereof;
 FIG. 12 is a second side view thereof;
 FIG. 13 is a top view thereof; and,
 FIG. 14 is a bottom view thereof.
 Broken lines are used to illustrate portions of the medical device that form no part of the claimed design.

1 Claim, 14 Drawing Sheets



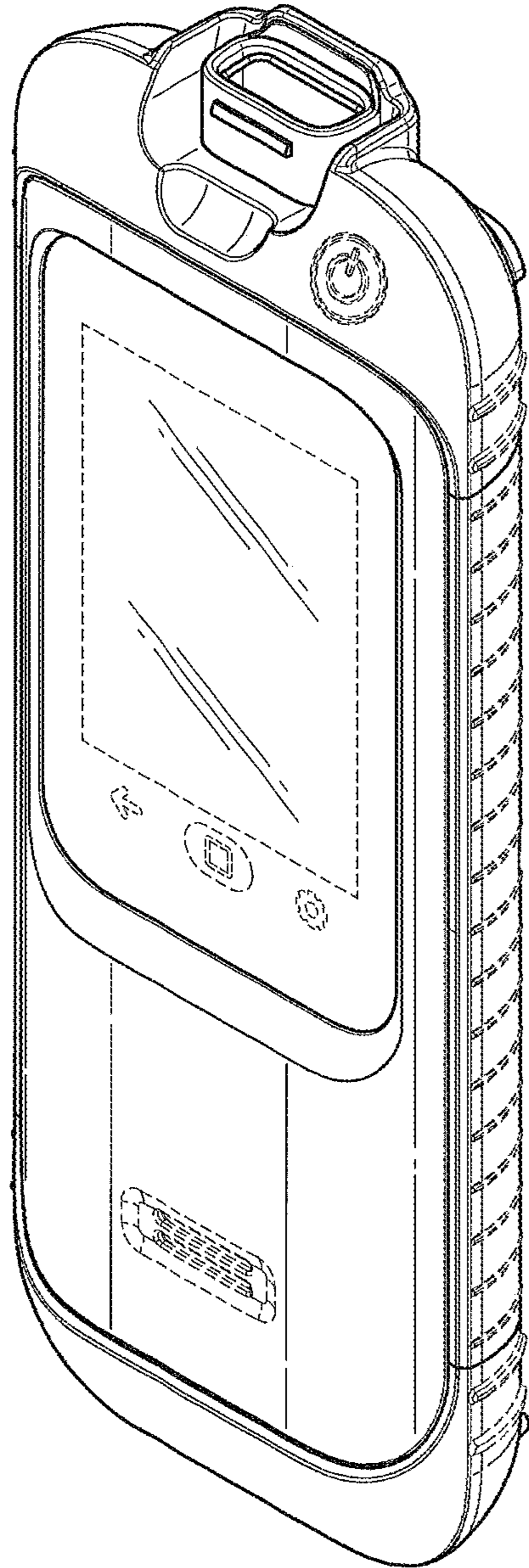


FIG. 1

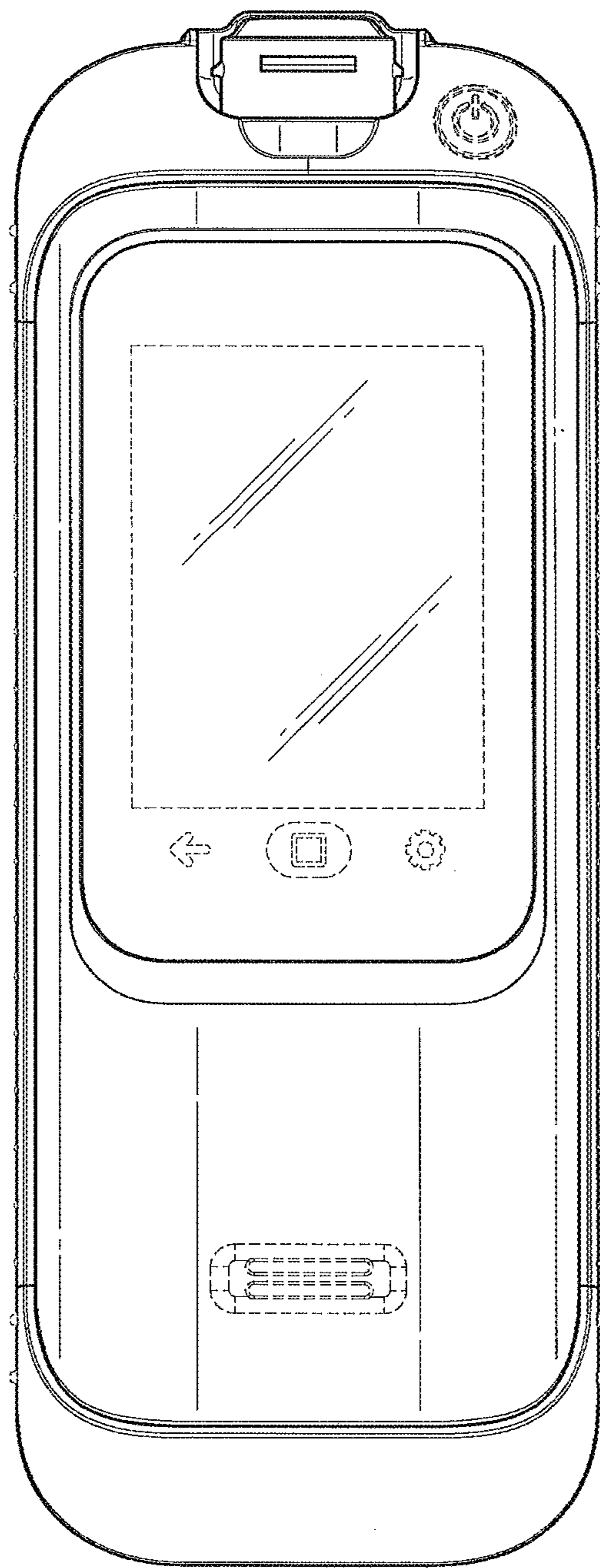


FIG. 2

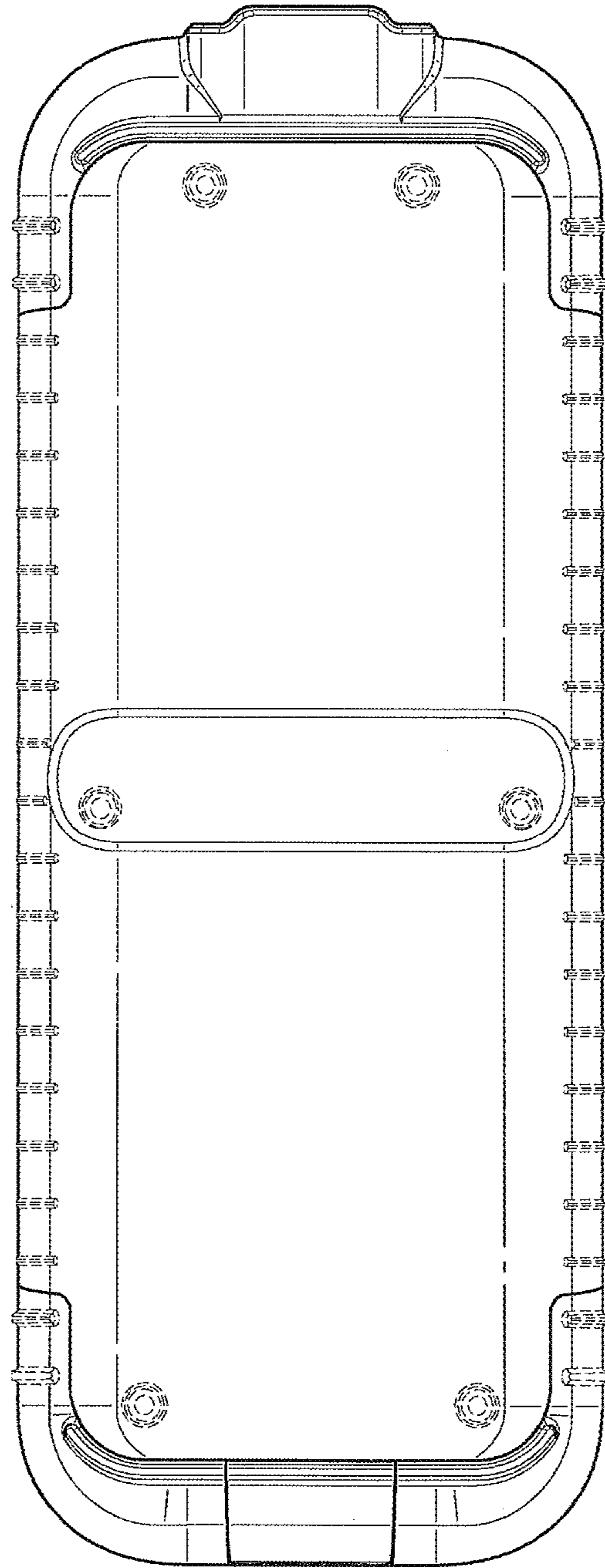


FIG. 3

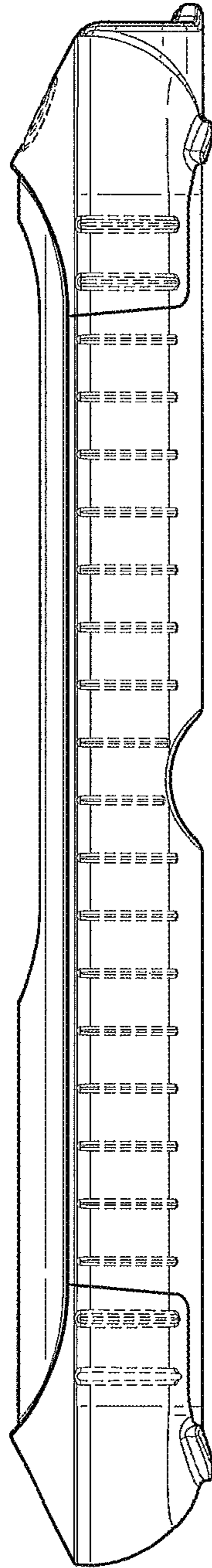


FIG. 4

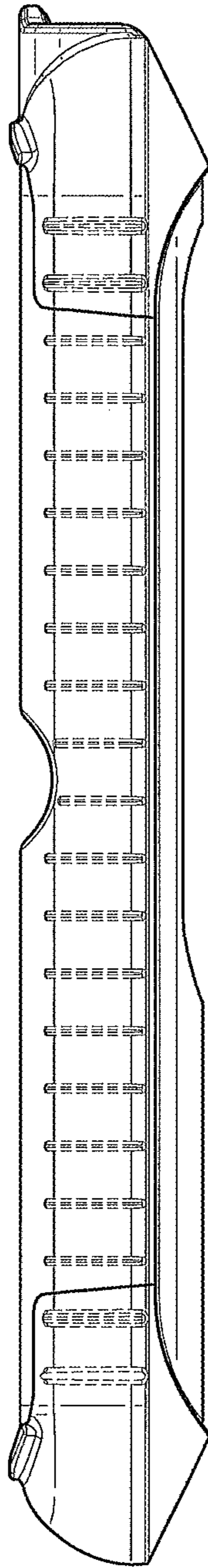


FIG. 5

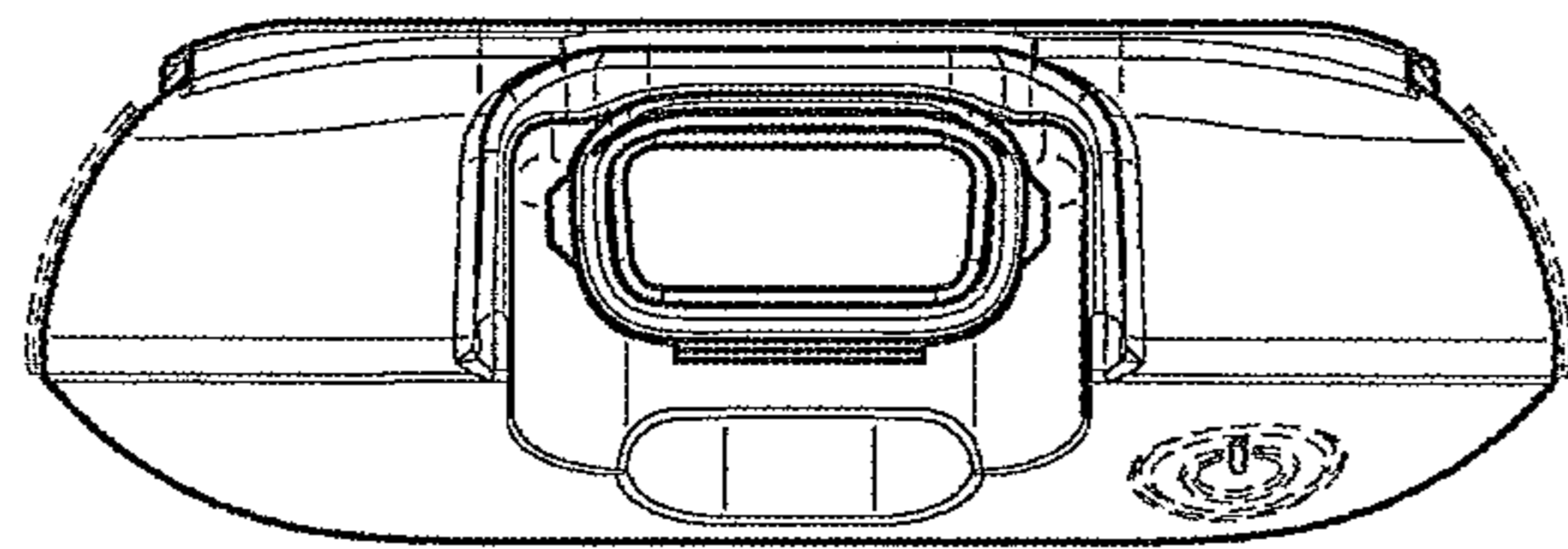


FIG. 6

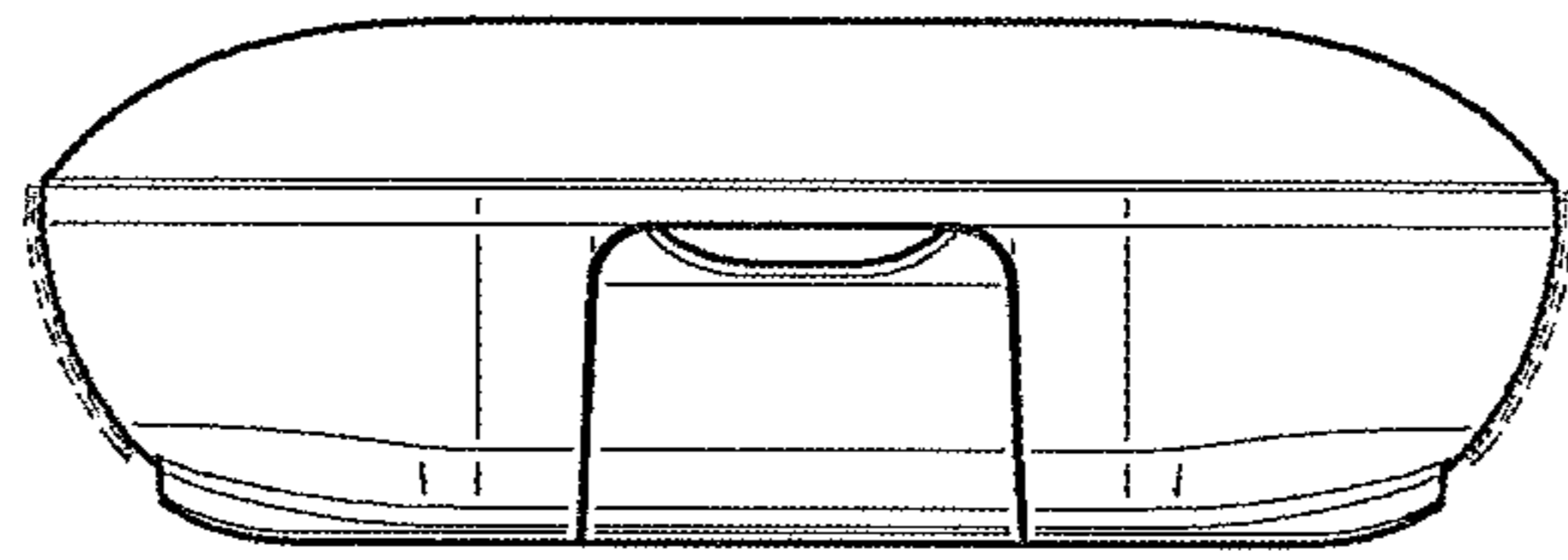


FIG. 7

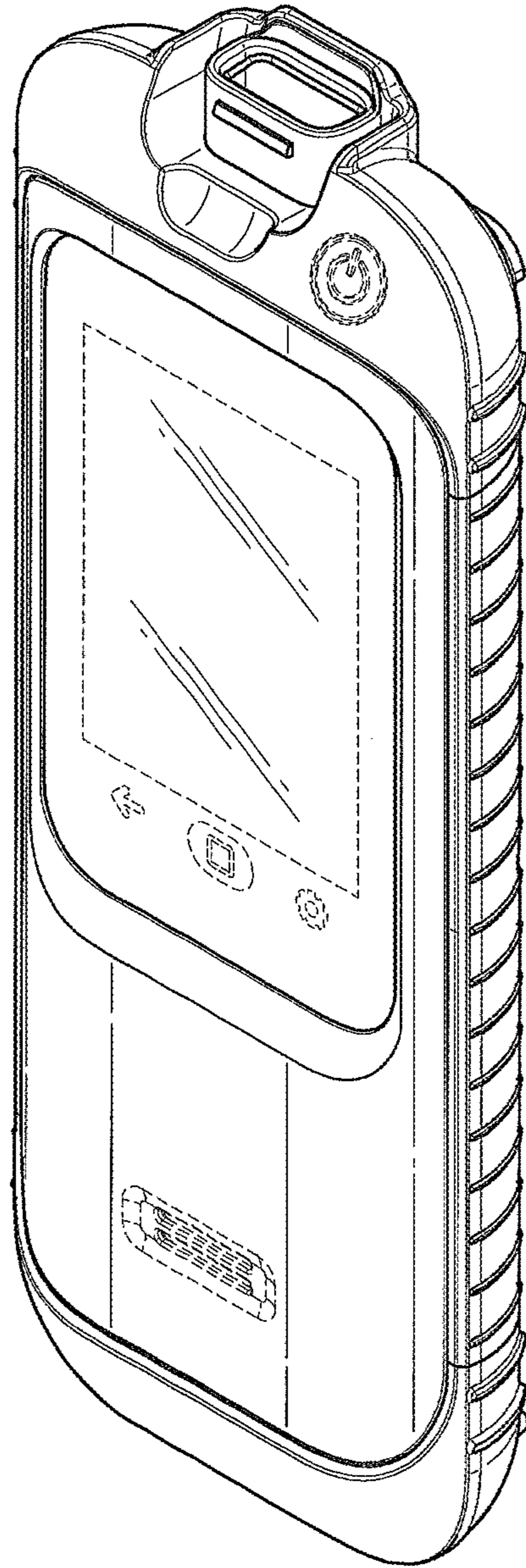


FIG. 8

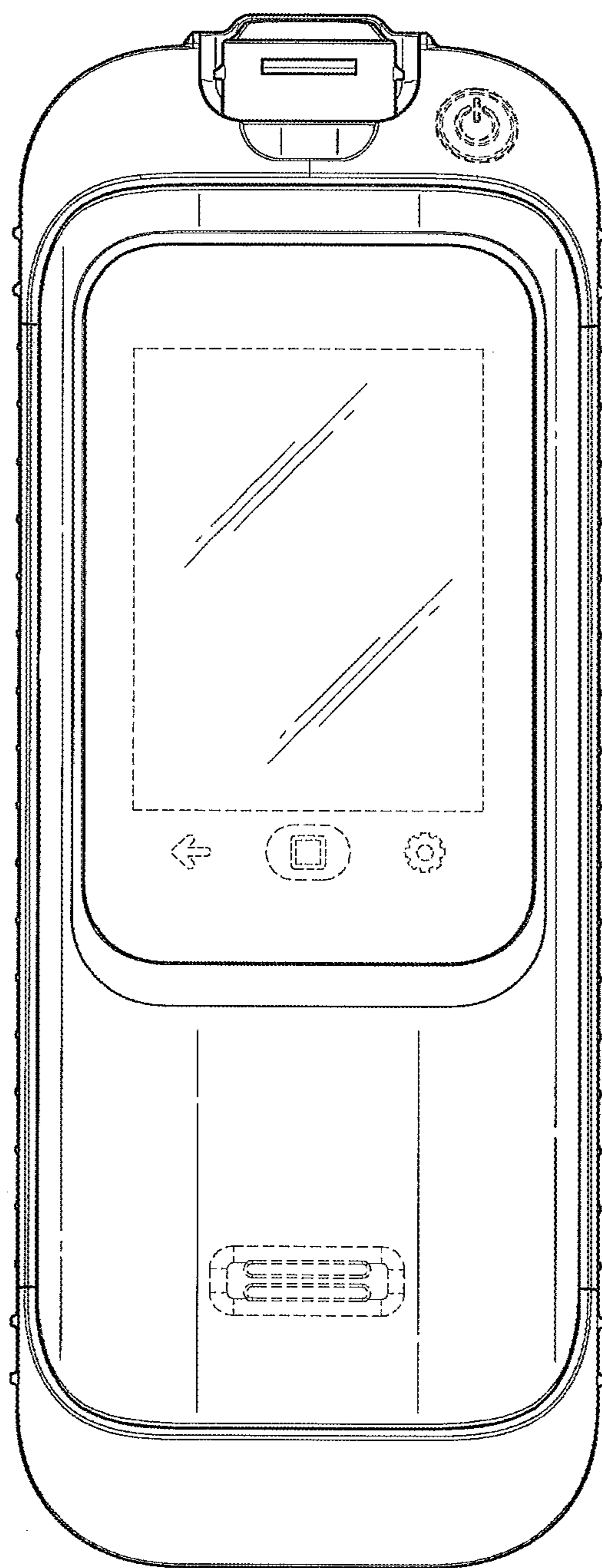


FIG. 9

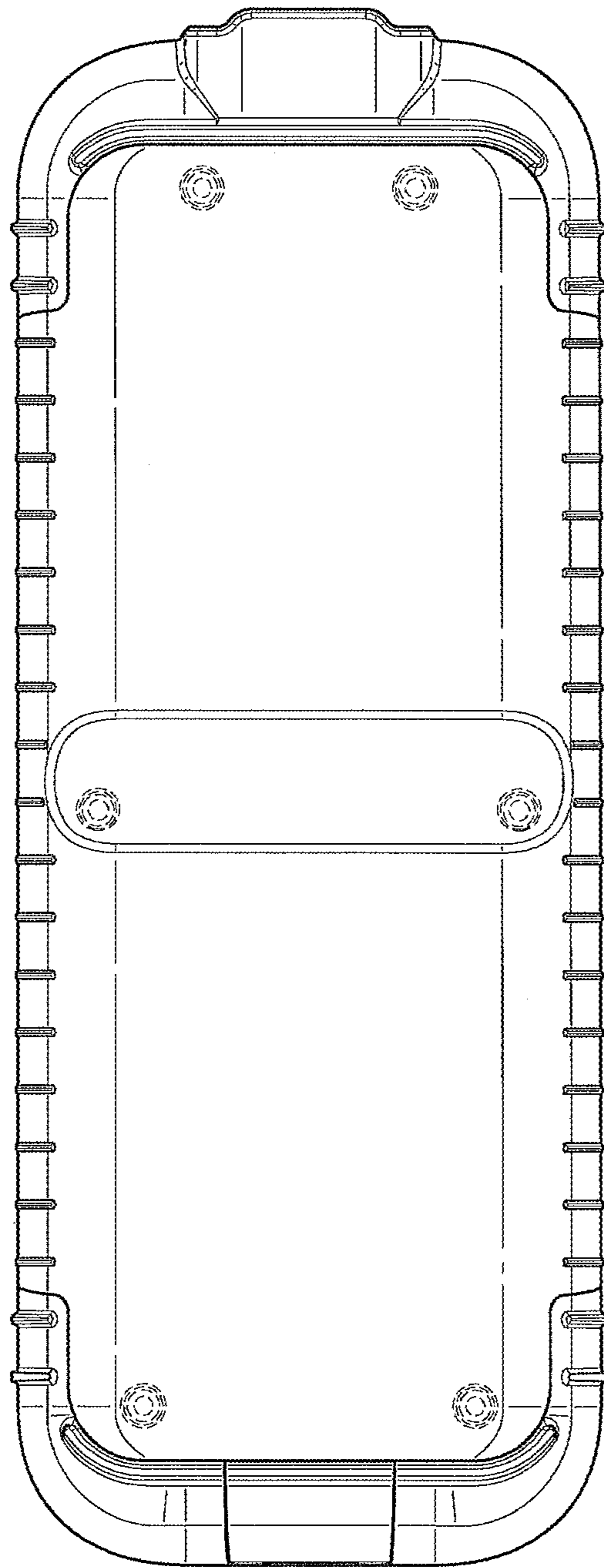


FIG. 10

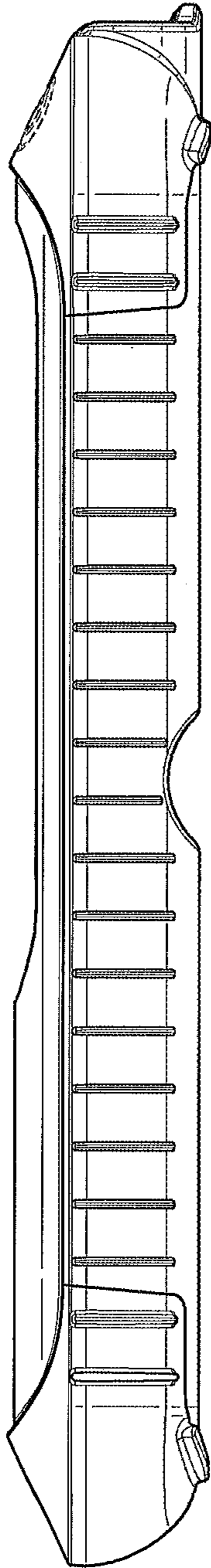


FIG. 11

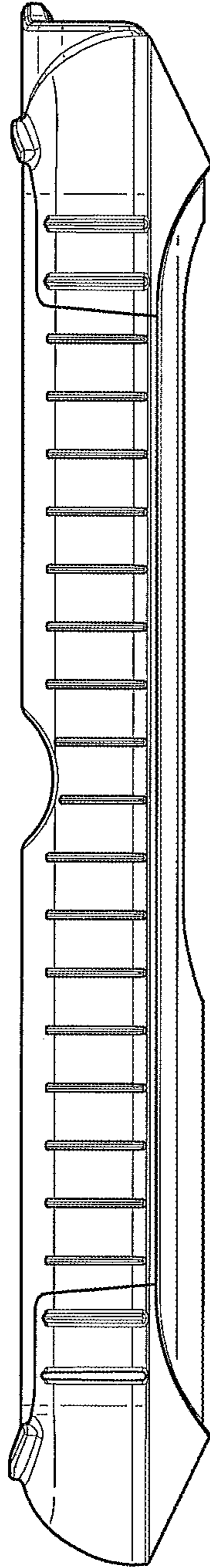


FIG. 12

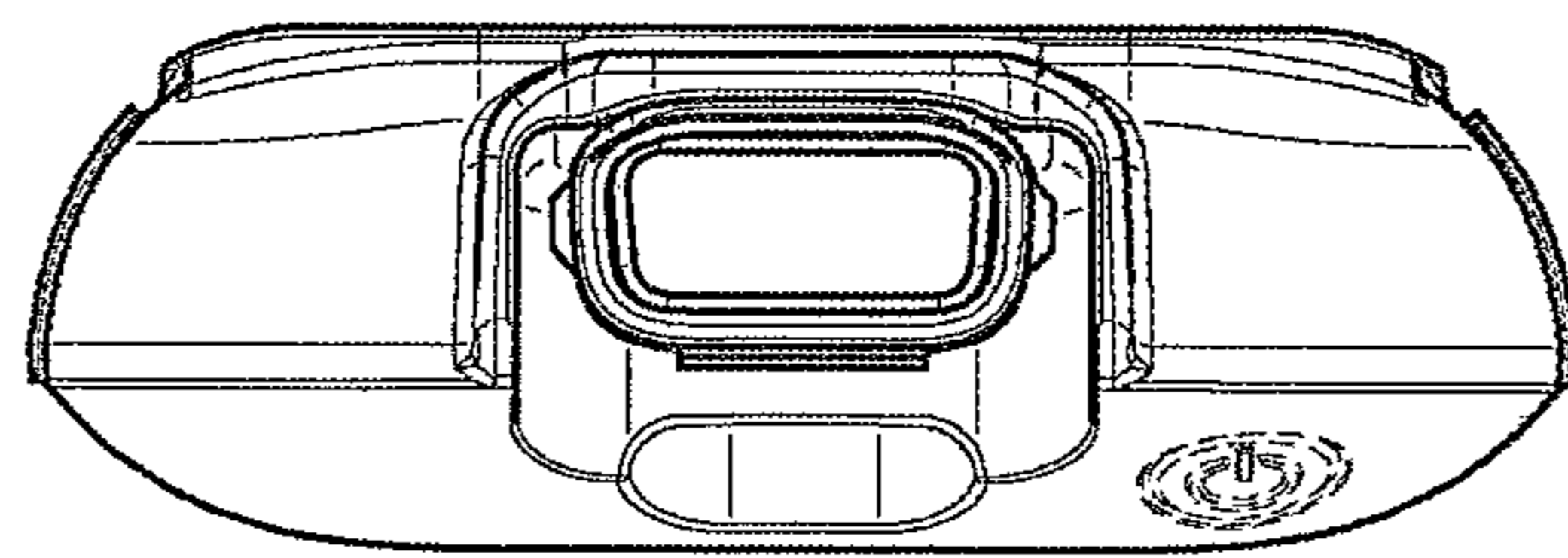


FIG. 13

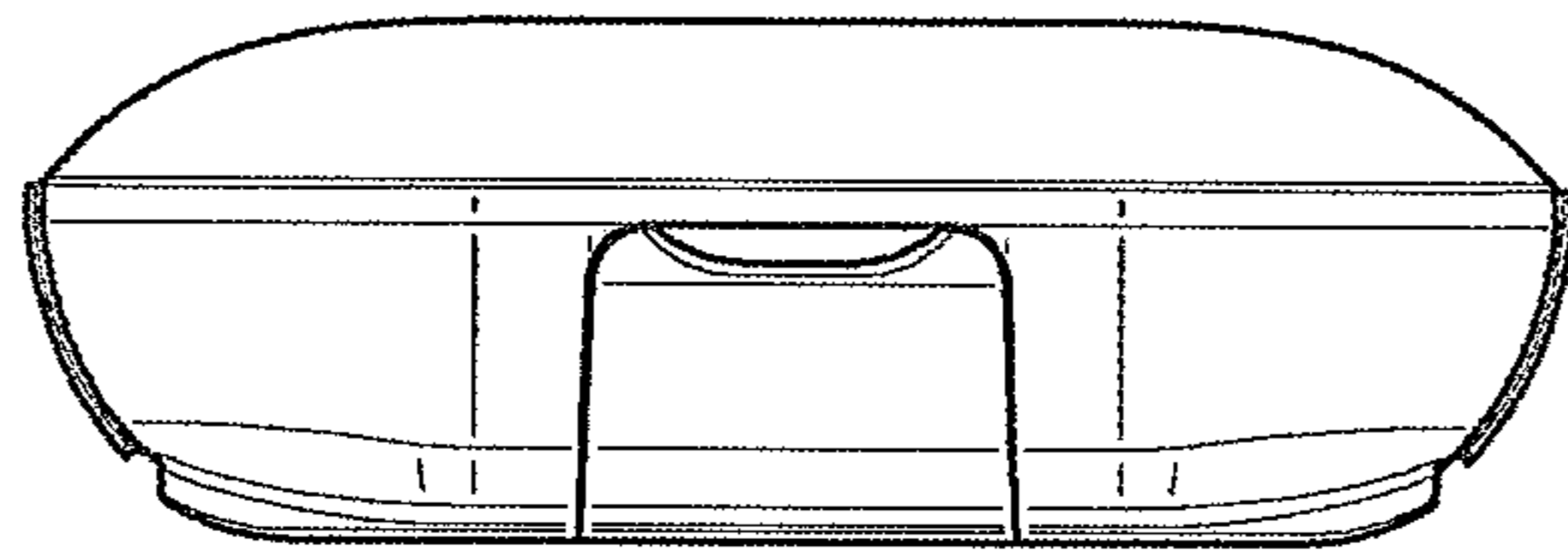


FIG. 14