



US00D833618S

(12) **United States Design Patent** (10) **Patent No.:** **US D833,618 S**
Ballsieper et al. (45) **Date of Patent:** **** Nov. 13, 2018**

(54) **X-RAY SHIELD** 4,386,277 A 5/1983 Forshee
D300,945 S 5/1989 Fleming et al.
(71) Applicant: **Mavig GmbH**, München (DE) 4,923,162 A 5/1990 Fleming
D310,905 S 10/1990 Marchione
(72) Inventors: **Barbara Ballsieper**, München (DE); D349,577 S 8/1994 Sayles
Anna-Luisa Uhlitz, München (DE) D424,198 S 5/2000 Shepherd et al.
6,703,632 B1 3/2004 Macklis
(73) Assignee: **Mavig GmbH**, München (DE) 6,779,767 B2* 8/2004 Kuhn F16M 11/08
248/276.1

(**) Term: **15 Years**

(21) Appl. No.: **29/628,872**

(22) Filed: **Dec. 8, 2017**

Related U.S. Application Data

(62) Division of application No. 29/556,915, filed on Mar. 4, 2016, now Pat. No. Des. 818,125.
(51) **LOC (11) Cl.** **24-01**
(52) **U.S. Cl.**
USPC **D24/158**
(58) **Field of Classification Search**
USPC D24/107, 158-161, 185, 186, 187, 231;
D29/100, 104-107
CPC .. A61B 6/107; G21F 3/00; G21F 3/02; G21Y
2002/501; A61N 2005/1094
See application file for complete search history.

(56) **References Cited**

U.S. PATENT DOCUMENTS

1,636,419 A 7/1927 Hollander
2,105,028 A 1/1938 Dickhoff
2,239,223 A 4/1941 Gilman
2,316,055 A * 4/1943 Davey F41H 5/08
2/2.5
2,794,128 A 5/1957 Shasky
D238,615 S 1/1976 Maier
D241,378 S 9/1976 Burger
D249,278 S 9/1978 Milligan
4,196,355 A 4/1980 Maine
4,254,341 A 3/1981 Herr et al.
D259,139 S 5/1981 Johnson

(Continued)

FOREIGN PATENT DOCUMENTS

CN 201375521 Y 1/2010
JP 2000-166916 A 6/2000
KR 10-2012-0084574 A 7/2012

OTHER PUBLICATIONS

Radiation Protection Shields & Drapes of the company Radpad, USA (www.radpad.com), 3 pages.

(Continued)

Primary Examiner — Anhdao Doan

(74) *Attorney, Agent, or Firm* — Nixon & Vanderhye P.C.

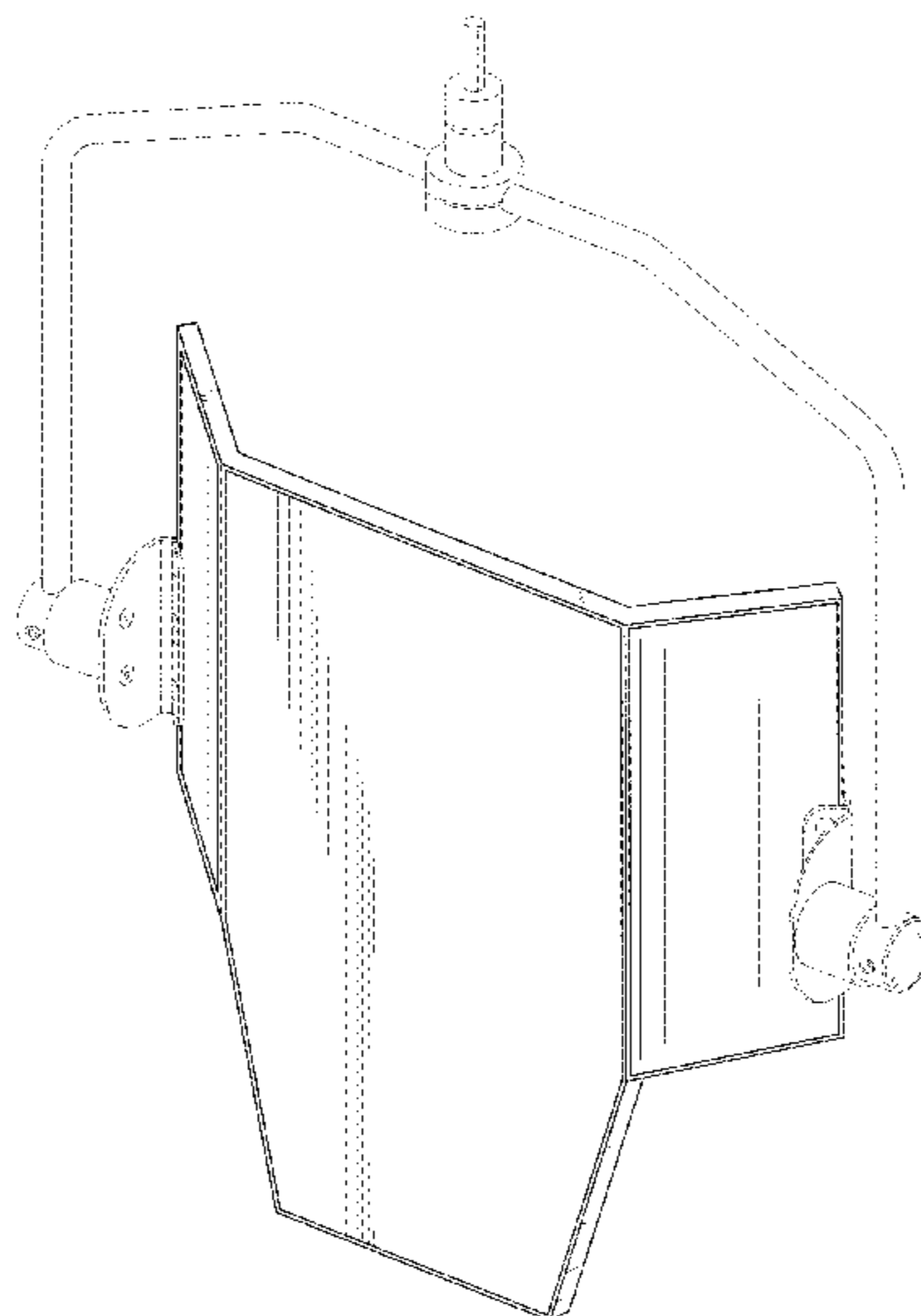
(57) **CLAIM**

The ornamental design for an X-ray shield, as shown and described.

DESCRIPTION

FIG. 1 is a front perspective view of the X-ray shield showing an embodiment according to our new ornamental design;
FIG. 2 is a rear view thereof;
FIG. 3 is a left side view thereof, with the right side view thereof being a mirror image thereof; and,
FIG. 4 is a top view thereof.
The broken lines illustrate environmental structures and form no part of the claimed design.

1 Claim, 4 Drawing Sheets



(56)

References Cited

U.S. PATENT DOCUMENTS

D504,194	S	4/2005	Canavan	
D534,003	S	12/2006	McNally	
D556,324	S	11/2007	Oddsottir et al.	
7,294,845	B2	11/2007	Ballsieper	
D569,044	S	5/2008	Crye	
D569,046	S	5/2008	Crye	
7,608,847	B2	10/2009	Rees	
7,744,278	B2	6/2010	Barkow et al.	
D629,109	S	12/2010	Phillips	
D629,110	S	12/2010	Brettle et al.	
D639,076	S	6/2011	Fukui	
D716,449	S	10/2014	Ballsieper	
D748,337	S *	1/2016	Battaglieri D29/101.3
D751,710	S	3/2016	Ballsieper	
D772,415	S	11/2016	Ballsieper	
D775,340	S	12/2016	Ballsieper	
D809,208	S *	1/2018	Battaglieri D29/100
2007/0089596	A1 *	4/2007	Huber F41H 5/0428 89/36.02
2009/0323892	A1	12/2009	Hitzke	

2012/0186590	A1	7/2012	Byers
2013/0270462	A1	10/2013	Beck
2013/0299723	A1	11/2013	Murase
2015/0041686	A1	2/2015	Pizarro
2017/0004895	A1	1/2017	Holman

OTHER PUBLICATIONS

Radiation Protection Covers, Kenex, Great Britain, www.kenex.co.uk.
 Radiation Protection Covers, Aadco, U.S.A., www.aadcomed.com.
 Radiation Protection Covers, Beijing Huaren, China, bjuaren.com.
 Radiation Protection Covers, Mavig, USA.
 U.S. Appl. No. 29/466,485, filed Sep. 9, 2013, Ballsieper.
 U.S. Appl. No. 29/502,311, filed Sep. 15, 2014, Ballsieper.
 U.S. Appl. No. 29/503,390, filed Sep. 25, 2014, Ballsieper.
 U.S. Appl. No. 29/553,475, filed Feb. 2, 2016, Ballsieper.
 U.S. Appl. No. 29/561,676, filed Apr. 19, 2016, Ballsieper.
 U.S. Appl. No. 29/556,915, filed Mar. 4, 2016, Ballsieper et al. (parent application).

* cited by examiner

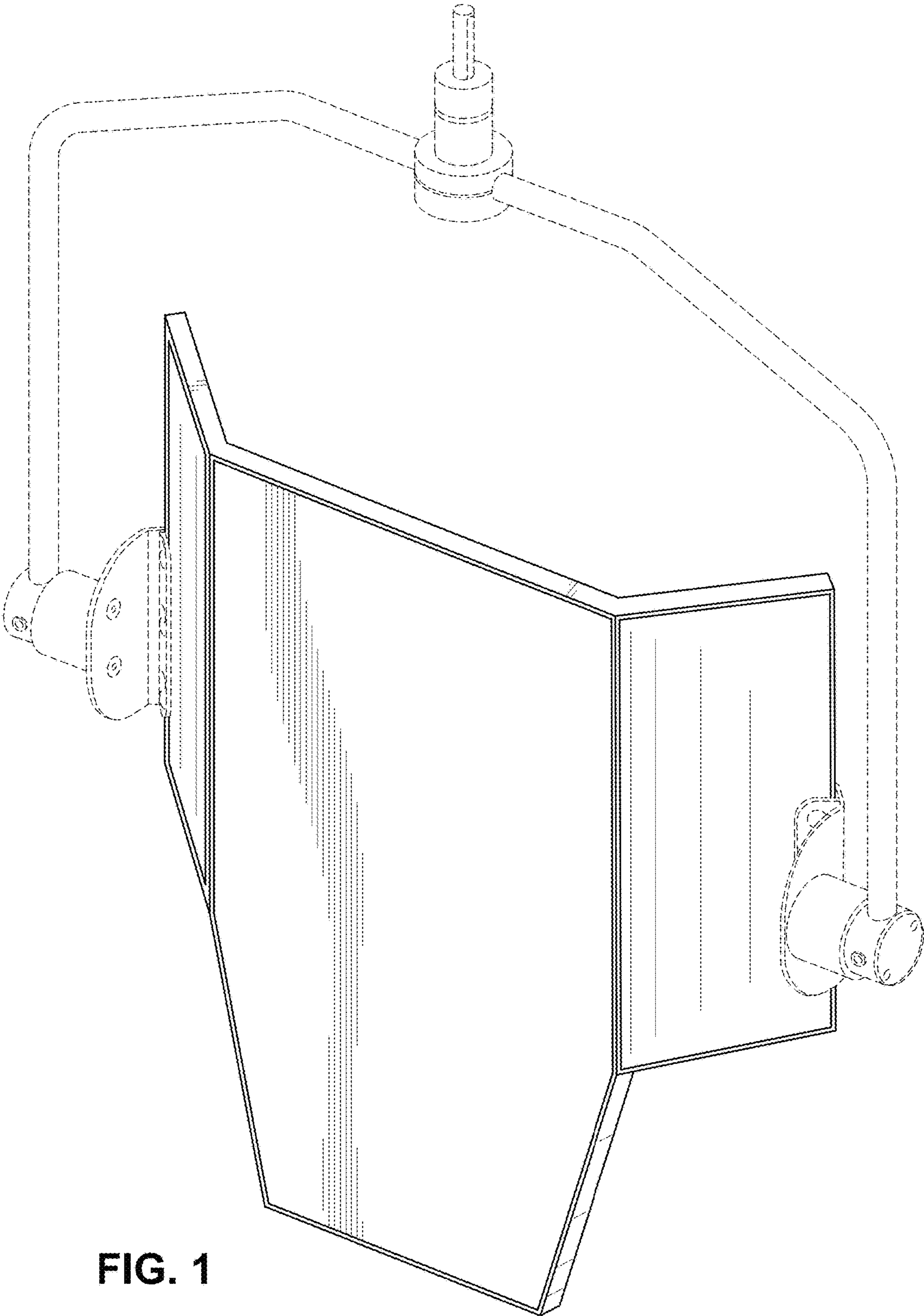


FIG. 1

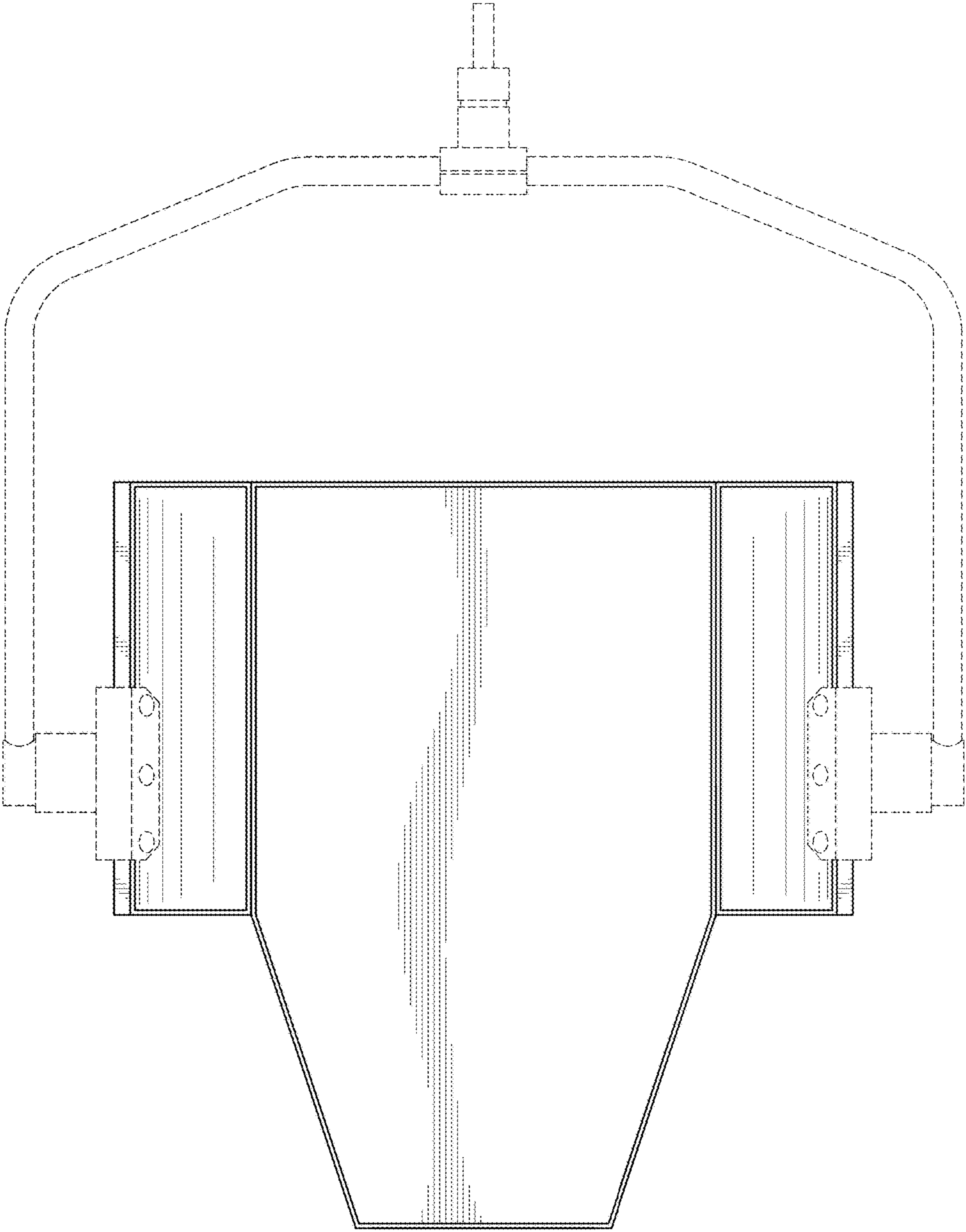


FIG. 2

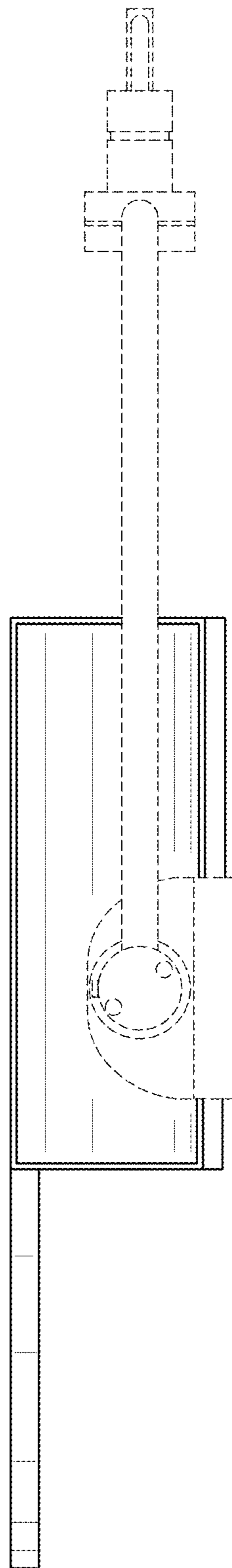


FIG. 3

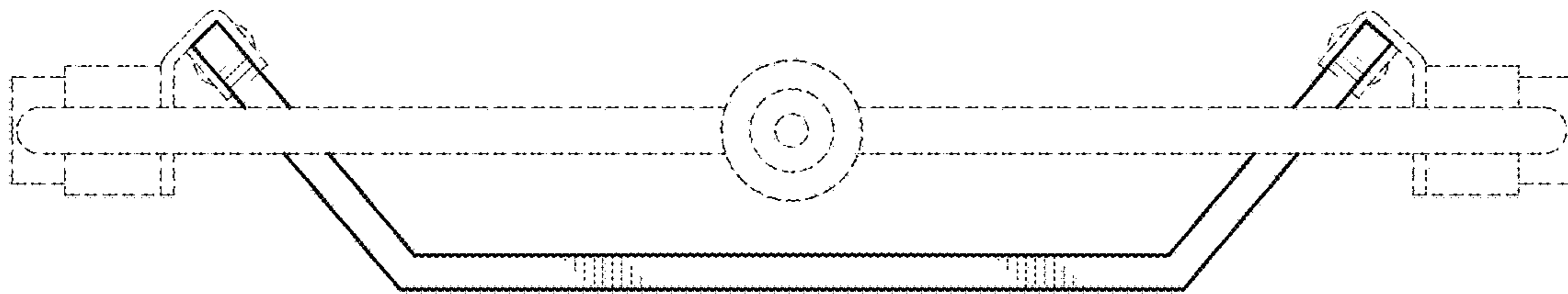


FIG. 4