



US00D833617S

(12) **United States Design Patent** (10) **Patent No.:** **US D833,617 S**
Tenley et al. (45) **Date of Patent:** **** Nov. 13, 2018**

(54) **MRI HEAD COIL SPACER**
(71) Applicant: **GENERAL ELECTRIC COMPANY**,
Schenectady, NY (US)
(72) Inventors: **Sarah Tenley**, Cleveland Heights, OH
(US); **Yun-Jeong Stickle**, Solon, OH
(US); **Balint Franko**, Aurora, OH (US);
Regis Gerard Personelli, Bois d'Arcy
(FR); **Clyve Konrad Rosales Follante**,
Twinsburg, OH (US)
(73) Assignee: **General Electric Company**,
Schenectady, NY (US)

(**) Term: **15 Years**

(21) Appl. No.: **29/585,533**

(22) Filed: **Nov. 25, 2016**

(51) **LOC (11) Cl.** **24-01**

(52) **U.S. Cl.**
USPC **D24/158**

(58) **Field of Classification Search**
USPC D24/107, 158-161, 185, 186, 187, 231
CPC A61B 5/0042; A61B 5/055; A61B 6/03;
A61B 6/035; G01R 33/283; G01R
33/4806; G01R 33/4812; G03B 21/145;
G03B 21/30; G03B 21/54; G03B 21/585
See application file for complete search history.

(56) **References Cited**

U.S. PATENT DOCUMENTS

2,822,478 A * 2/1958 Wideroe A61N 5/01
378/190
5,221,902 A * 6/1993 Jones G01R 33/34061
324/318

D702,838 S * 4/2014 Limmer D24/158
D742,519 S * 11/2015 Sul D24/158
D748,797 S * 2/2016 Patil D24/158
D787,064 S * 5/2017 Sul D24/158
2004/0030238 A1* 2/2004 Vaughan G01R 33/283
600/418
2017/0082705 A1* 3/2017 Hou G01R 33/34007
2017/0143203 A1* 5/2017 Yang A61B 5/004
2017/0168124 A1* 6/2017 Ueda A61B 5/0035

* cited by examiner

Primary Examiner — Anhdao Doan

(74) *Attorney, Agent, or Firm* — Grogan, Tuccillo &
Vanderleeden, LLP

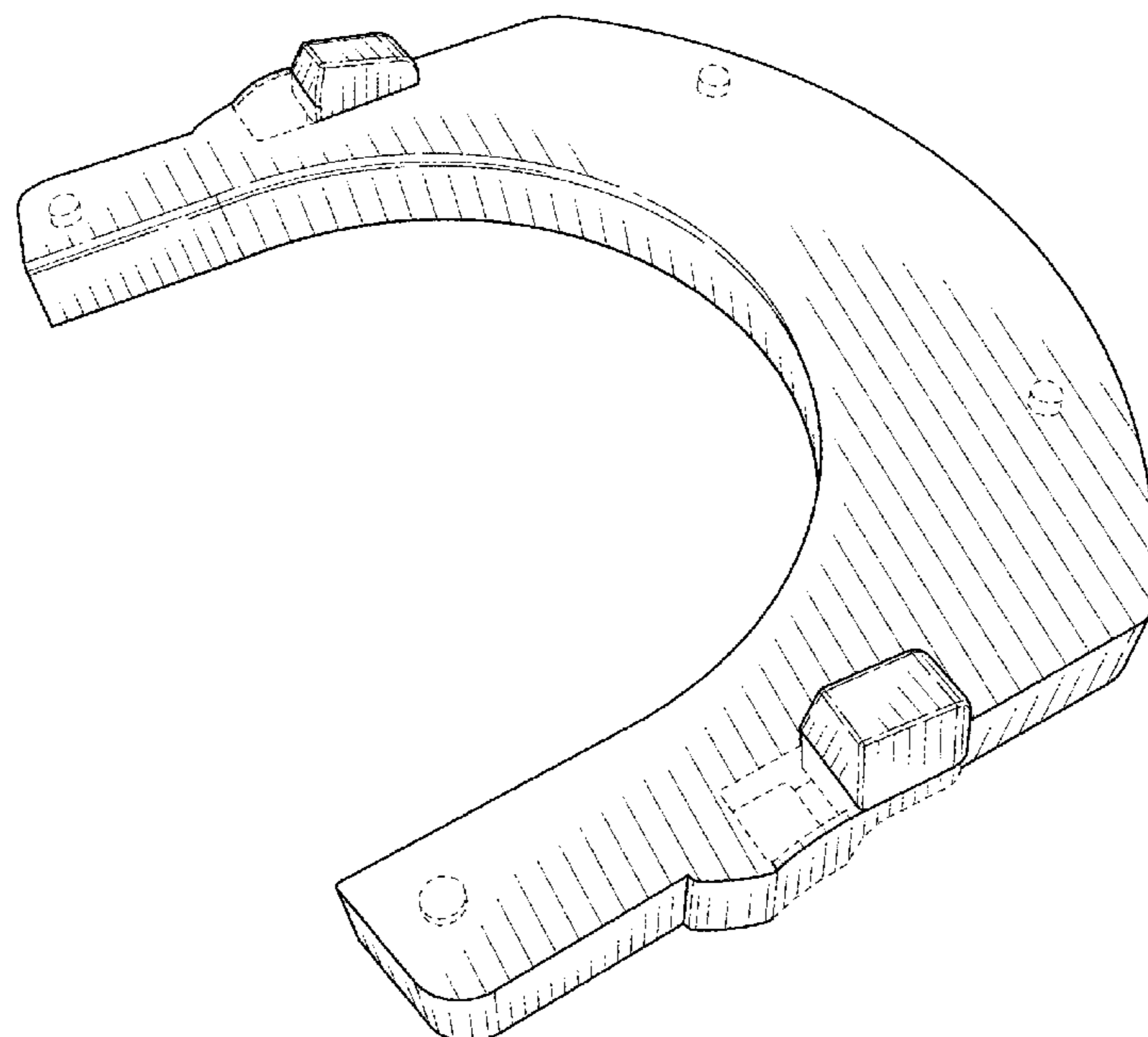
(57) **CLAIM**

The ornamental design for an MRI head coil spacer, as shown and described.

DESCRIPTION

FIG. 1 is a perspective view of an MRI head coil spacer showing our new design;
FIG. 2 is a front view thereof;
FIG. 3 is a rear view thereof;
FIG. 4 is a side view thereof;
FIG. 5 is an opposite side view thereof;
FIG. 6 is a top plan view thereof; and,
FIG. 7 is a bottom plan view thereof.
The broken line portion of the figures is included to show unclaimed subject matter only and forms no part of the claimed design.

1 Claim, 4 Drawing Sheets



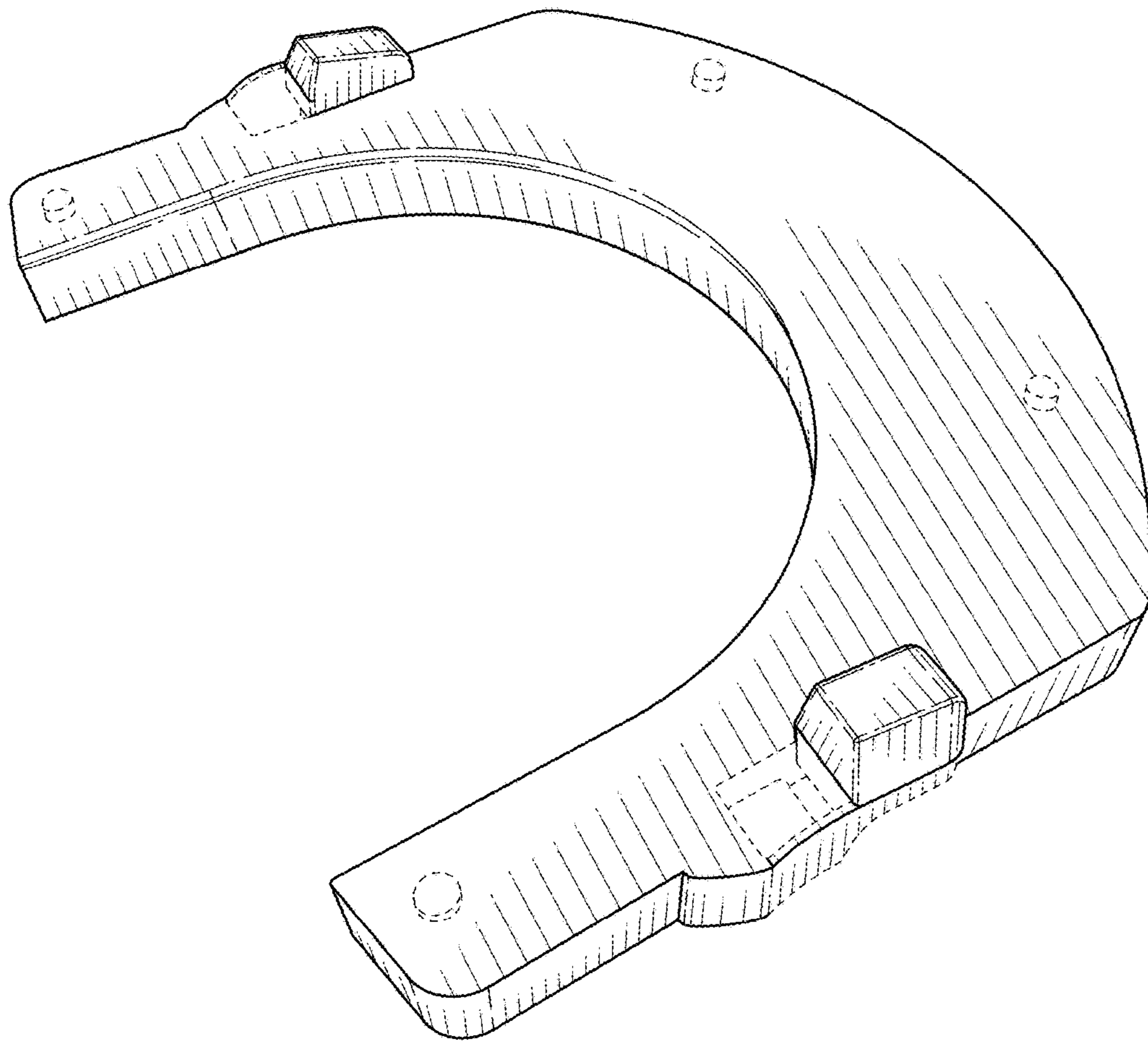


FIG. 1

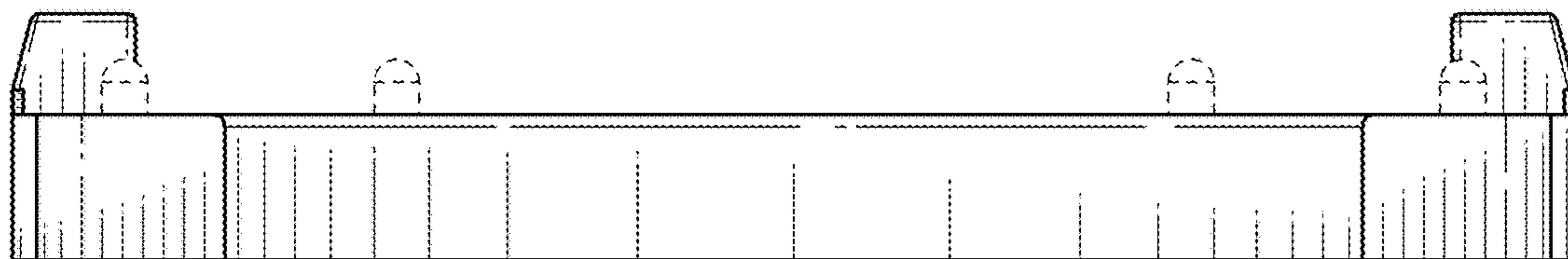


FIG. 2

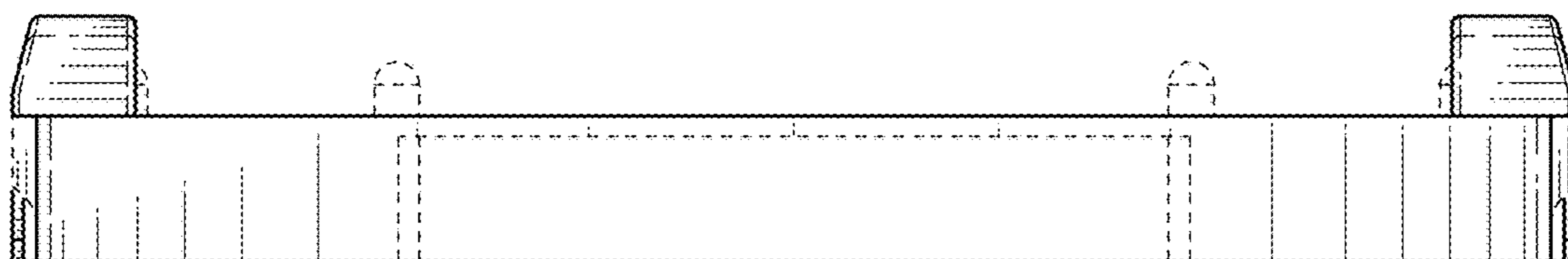


FIG. 3

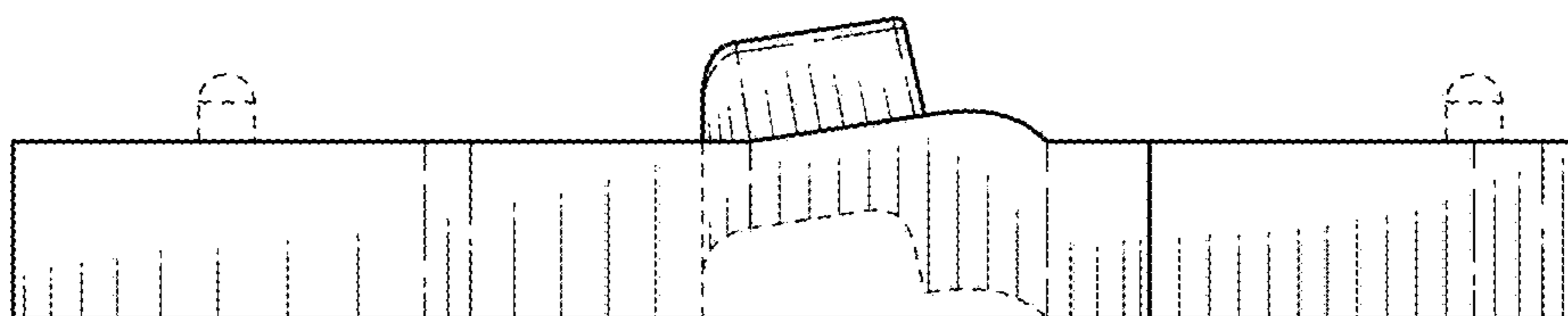


FIG. 4

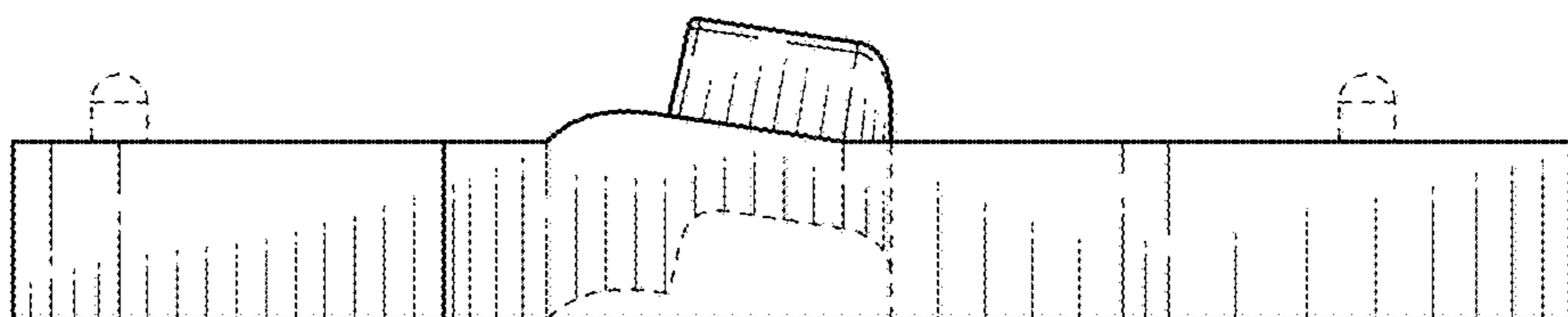


FIG. 5

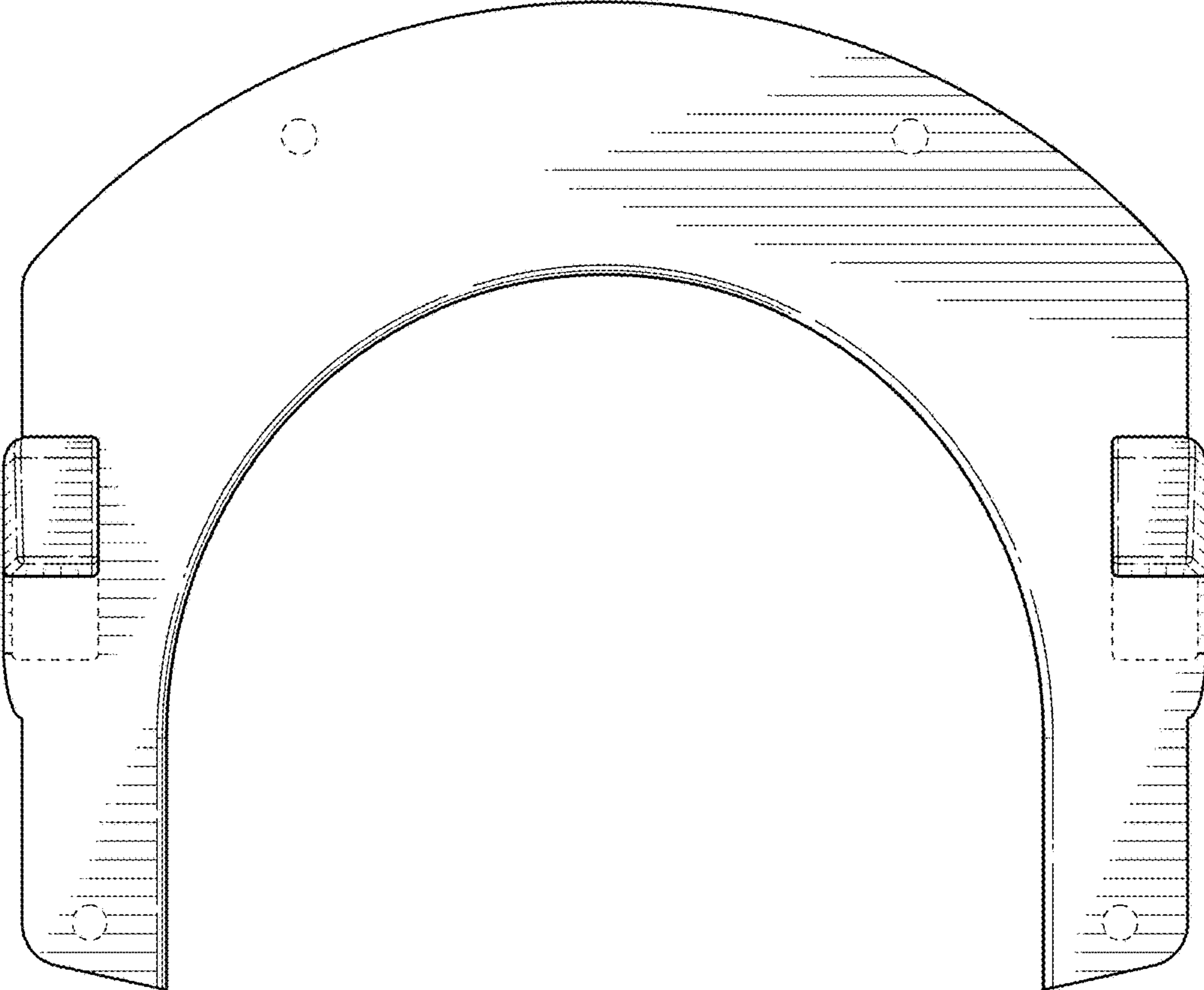


FIG. 6

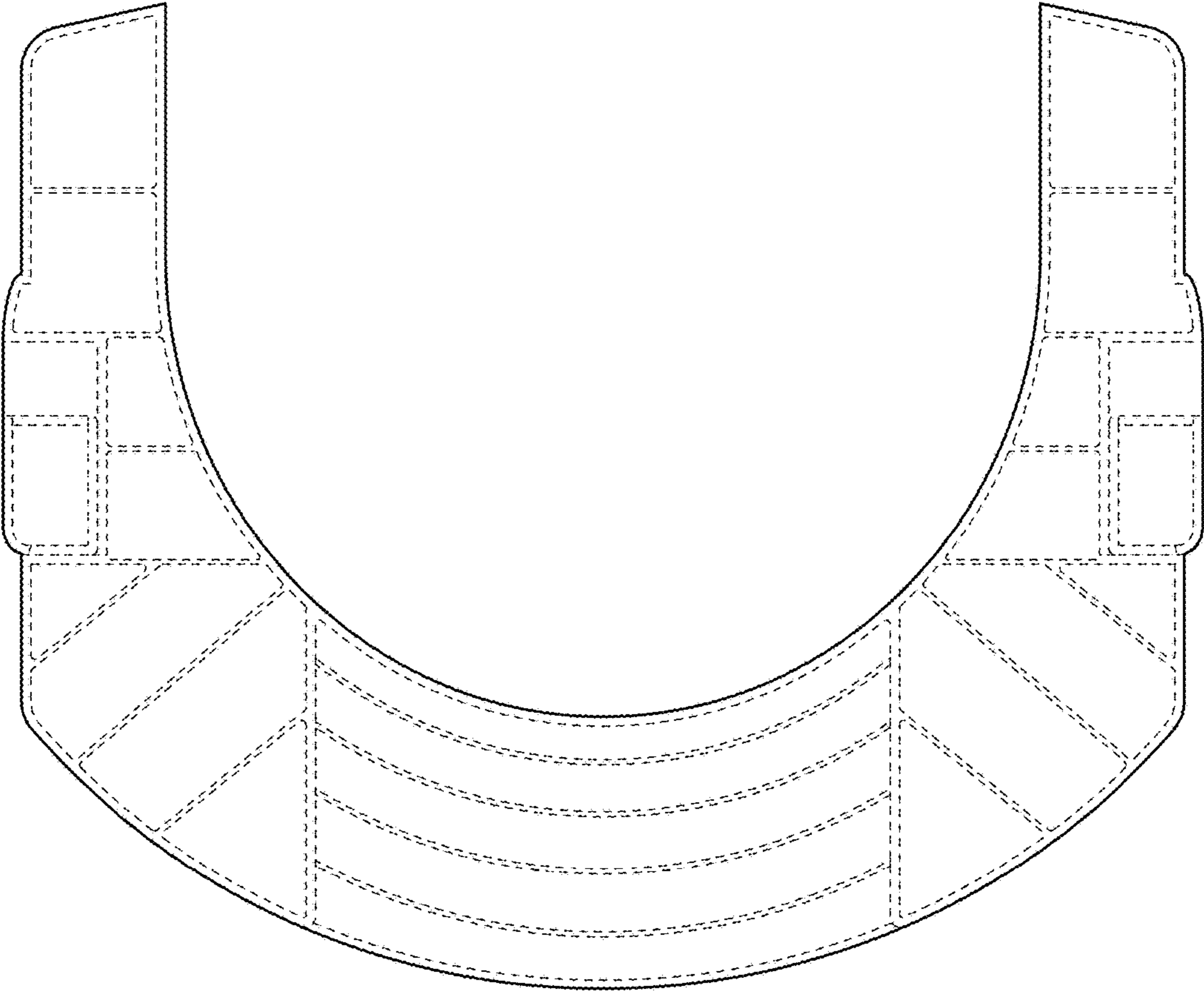


FIG. 7