



US00D833607S

(12) **United States Design Patent** (10) **Patent No.:** **US D833,607 S**
Aradono et al. (45) **Date of Patent:** **** Nov. 13, 2018**

(54) **MEDICAL RETRACTOR**

(71) Applicant: **YASUI CO., LTD.**, Higashiusuki-gun, Miyazaki (JP)

(72) Inventors: **Go Aradono**, Miyazaki (JP); **Masato Hatano**, Miyazaki (JP); **Yousuke Sasaki**, Miyazaki (JP)

(73) Assignee: **YASUI CO., LTD.**, Miyazaki (JP)

(**) Term: **15 Years**

(21) Appl. No.: **29/586,677**

(22) Filed: **Dec. 6, 2016**

(30) **Foreign Application Priority Data**

Oct. 12, 2016 (JP) 2016-022209

(51) **LOC (11) Cl.** **24-02**

(52) **U.S. Cl.**
USPC **D24/135**

(58) **Field of Classification Search**
USPC D24/133, 135, 136, 140, 143, 150, 152,
D24/171, 172, 176, 231; D8/47, 48, 82,
D8/83, 88, 89

(Continued)

(56) **References Cited**

U.S. PATENT DOCUMENTS

1,711,062 A * 4/1929 Purinton A22C 17/16
140/102.5

D312,306 S * 11/1990 Michelson D24/112

(Continued)

OTHER PUBLICATIONS

Retractor Blade handle, no date available, [online], [site visited Jul. 31, 2018]. Retrieved from url:<http://www.tedansurgical.com/wp-content/uploads/2016/09/CS-0105.jpg> (Year: 2018).*

Yasui Luminous Cordless Retractor, Nov. 11, 2016, [online], [site visited Jul. 31, 2018]. Retrieved from url:<http://www.yasui-kk.co.jp/en/medical/product/> (Year: 2016).*

Primary Examiner — Jeffrey D Asch

Assistant Examiner — Tracey J Bell

(74) *Attorney, Agent, or Firm* — Lucas & Mercanti, LLP

(57) **CLAIM**

The ornamental design for a medical retractor, as shown and described.

DESCRIPTION

FIG. 1 is a front view of a medical retractor;
FIG. 2 is a bottom view of the medical retractor of FIG. 1;
FIG. 3 is a top view of the medical retractor of FIG. 1;
FIG. 4 is a right side view of the medical retractor of FIG. 1;
FIG. 5 is a left side view of the medical retractor of FIG. 1;
FIG. 6 is a perspective view of the medical retractor of FIG. 1;
FIG. 7 is a front view of a second embodiment of a medical retractor;
FIG. 8 is a bottom view of the medical retractor of FIG. 7;
FIG. 9 is a top view of the medical retractor of FIG. 7;
FIG. 10 is a right side view of the medical retractor of FIG. 7;
FIG. 11 is a left side view of the medical retractor of FIG. 7;
FIG. 12 is a perspective view of the medical retractor of FIG. 7;
FIG. 13 is a front view of a third embodiment of a medical retractor;
FIG. 14 is a bottom view of the medical retractor of FIG. 13;
FIG. 15 is a top view of the medical retractor of FIG. 13;
FIG. 16 is a right side view of the medical retractor of FIG. 13;
FIG. 17 is a left side view of the medical retractor of FIG. 13;
FIG. 18 is a perspective view of the medical retractor of FIG. 13;
FIG. 19 is a front view of a fourth embodiment of a medical retractor;
FIG. 20 is a bottom view of the medical retractor of FIG. 19;
FIG. 21 is a top view of the medical retractor of FIG. 19;
FIG. 22 is a right side view of the medical retractor of FIG. 19;

(Continued)

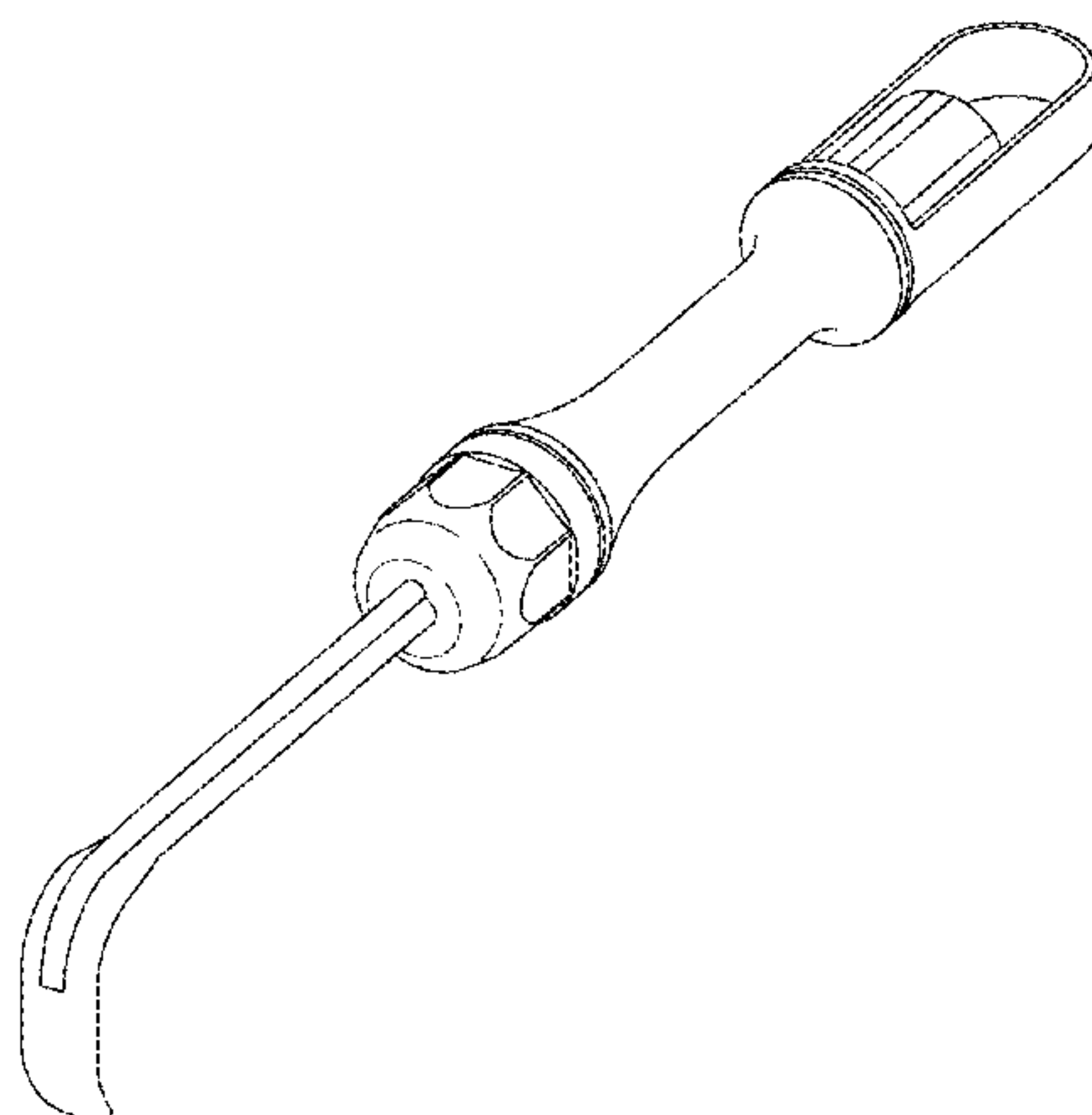


FIG. 23 is a left side view of the medical retractor of FIG. 19;
 FIG. 24 is a perspective view of the medical retractor of FIG. 19;
 FIG. 25 is a front view of a fifth embodiment of a medical retractor;
 FIG. 26 is a bottom view of the medical retractor of FIG. 25;
 FIG. 27 is a top view of the medical retractor of FIG. 25;
 FIG. 28 is a right side view of the medical retractor of FIG. 25;
 FIG. 29 is a left side view of the medical retractor of FIG. 25; and,
 FIG. 30 is a perspective view of the medical retractor of FIG. 25.

1 Claim, 25 Drawing Sheets

(58) **Field of Classification Search**
 CPC . A61B 17/02; A61B 17/0206; A61B 17/0293;
 A61B 17/0231; A61B 2017/0237; A61B
 2017/0256; A61B 2017/0268; A61B
 2017/0275; A61B 1/32
 See application file for complete search history.

(56)

References Cited

U.S. PATENT DOCUMENTS

D458,680	S	*	6/2002	Engler	D24/135
D513,378	S	*	1/2006	Lin	D8/83
D531,310	S	*	10/2006	Wolter	D24/133
D586,914	S	*	2/2009	DaSilva	D24/135
D644,902	S	*	9/2011	Yang	D8/83
D658,285	S	*	4/2012	Ryshkus	D24/135
D658,287	S	*	4/2012	Ryshkus	D24/135
D658,288	S	*	4/2012	Ryshkus	D24/135
D658,289	S	*	4/2012	Ryshkus	D24/135
D658,290	S	*	4/2012	Ryshkus	D24/135
D691,274	S	*	10/2013	Buckels	D24/133
D706,924	S	*	6/2014	Ryshkus	D24/135
D795,037	S	*	8/2017	Weinmeister	D8/105
D820,451	S	*	6/2018	Boge	D24/152
2008/0221586	A1	*	9/2008	Garcia-Bengochea	A61B 17/02 606/108
2016/0015467	A1	*	1/2016	Vayser	G06N 5/02 600/245
2017/0172555	A1	*	6/2017	Shimizu	A61B 17/02
2017/0303905	A1	*	10/2017	Wilson	A61B 17/02

* cited by examiner

Fig. 1

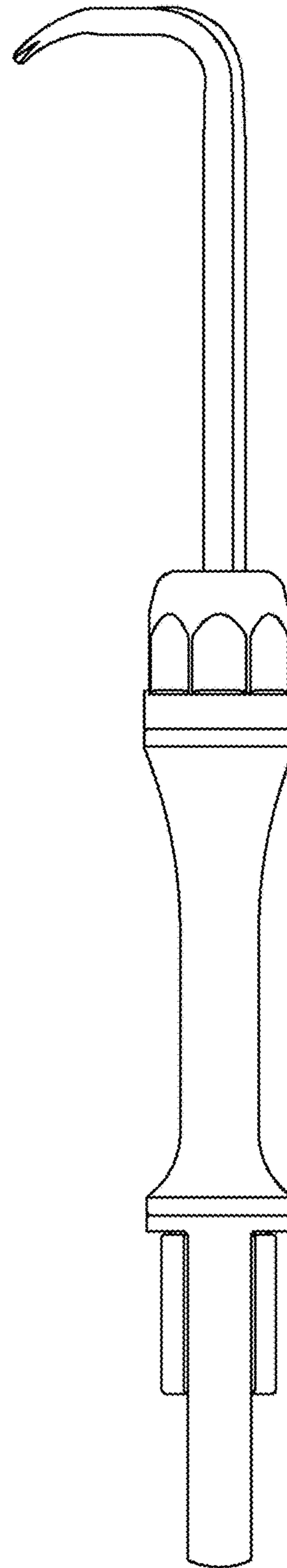


Fig. 2

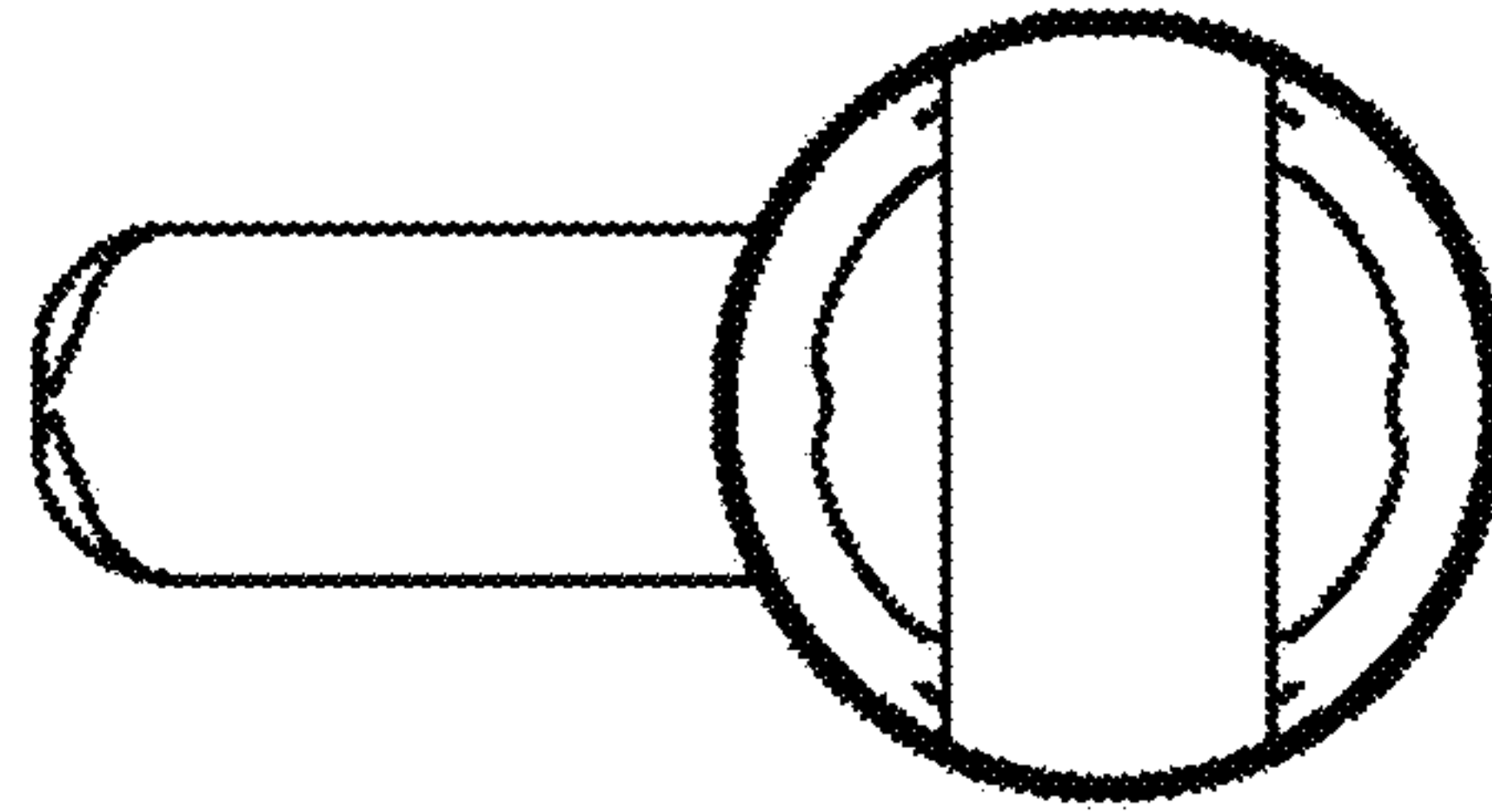


Fig. 3

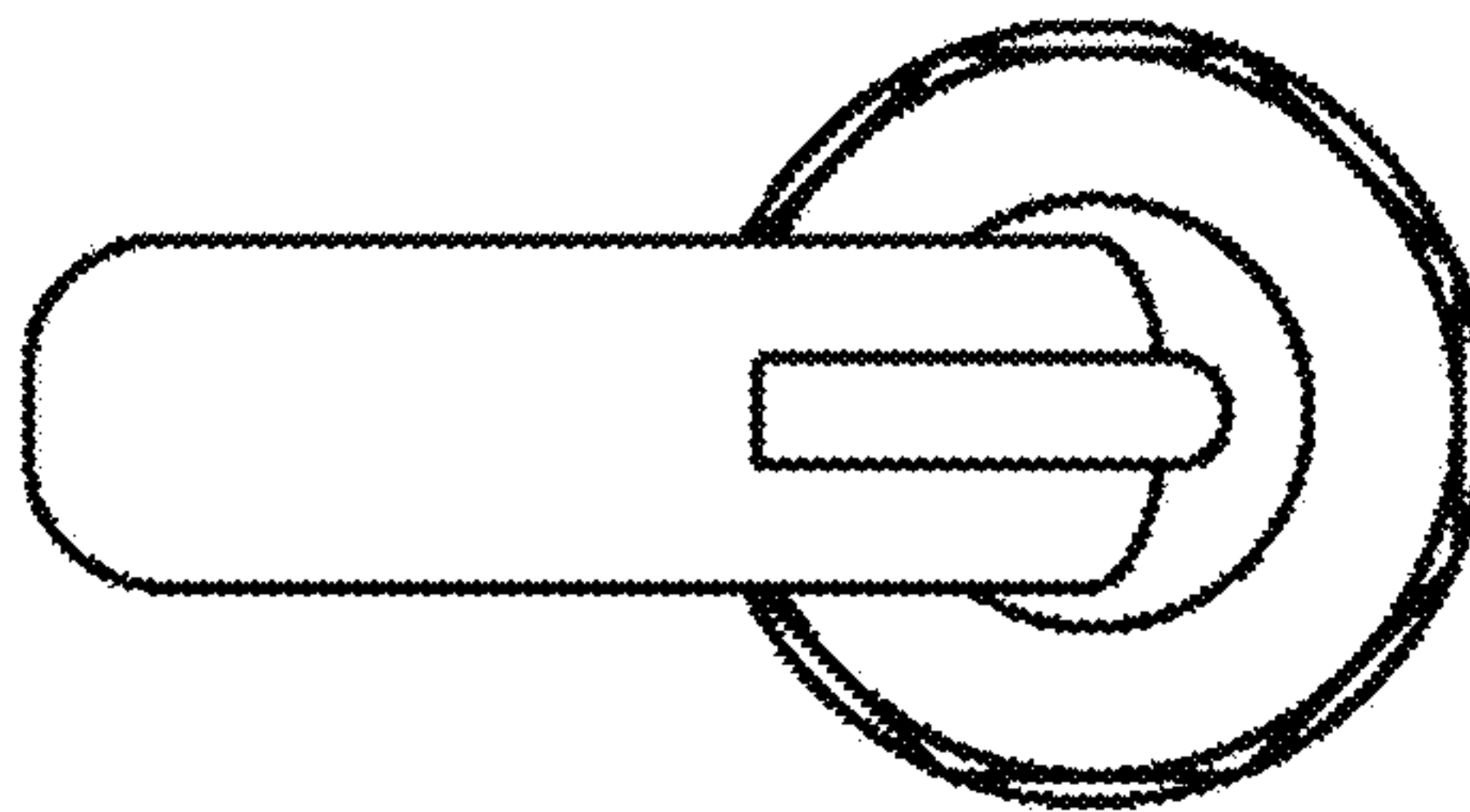


Fig. 4

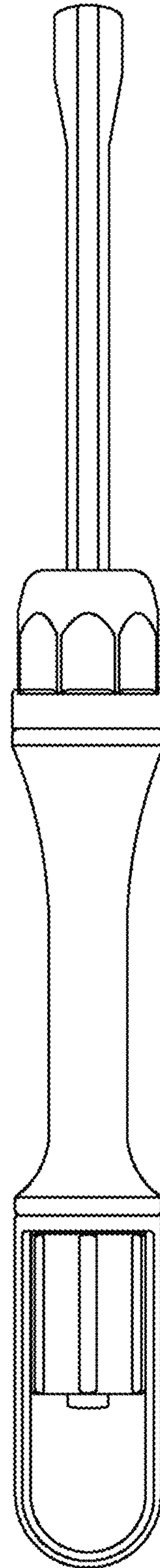


Fig. 5

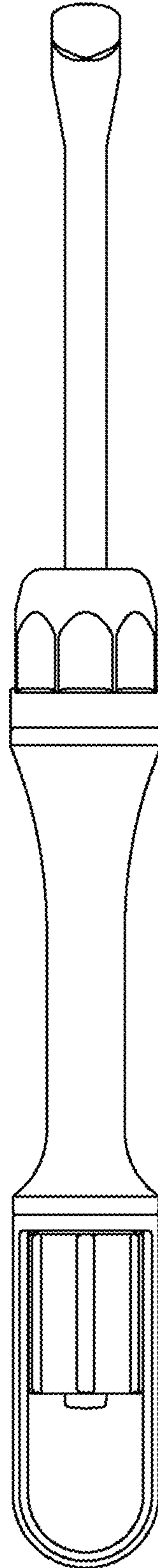


Fig. 6

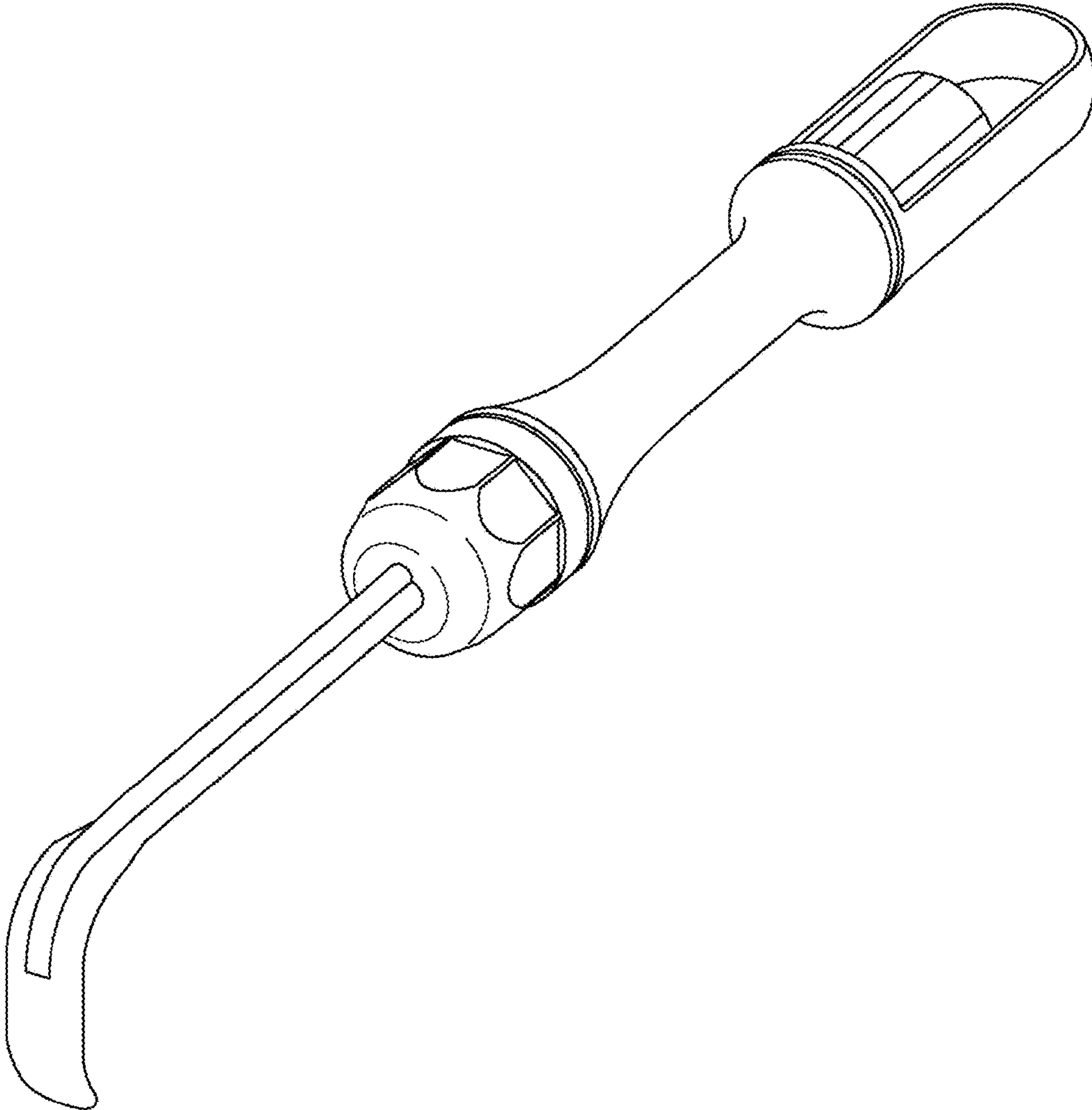


Fig. 7

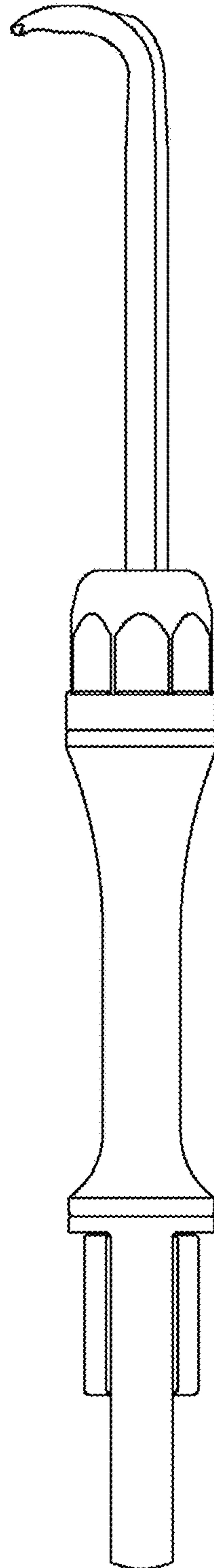


Fig. 8

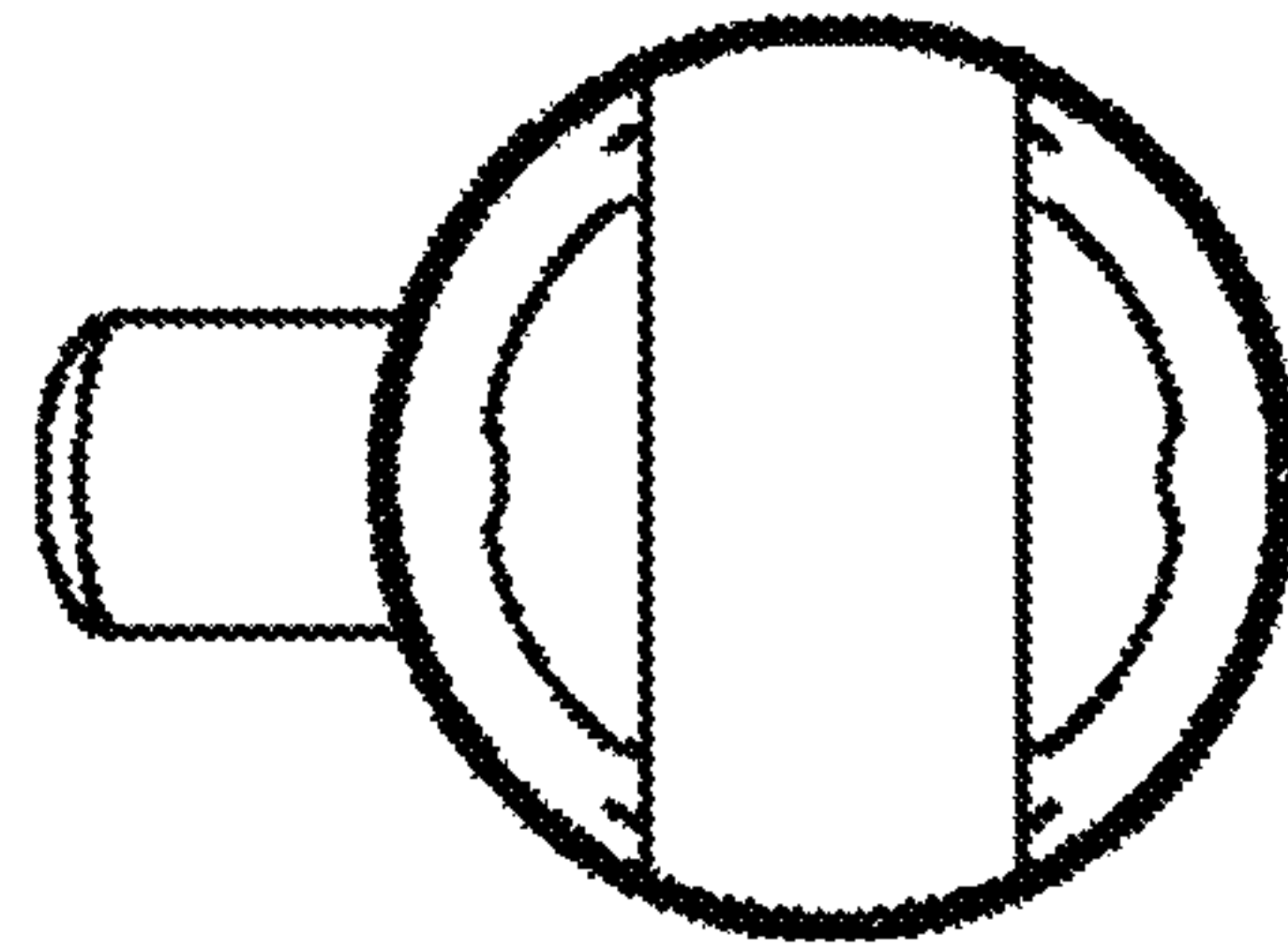


Fig. 9

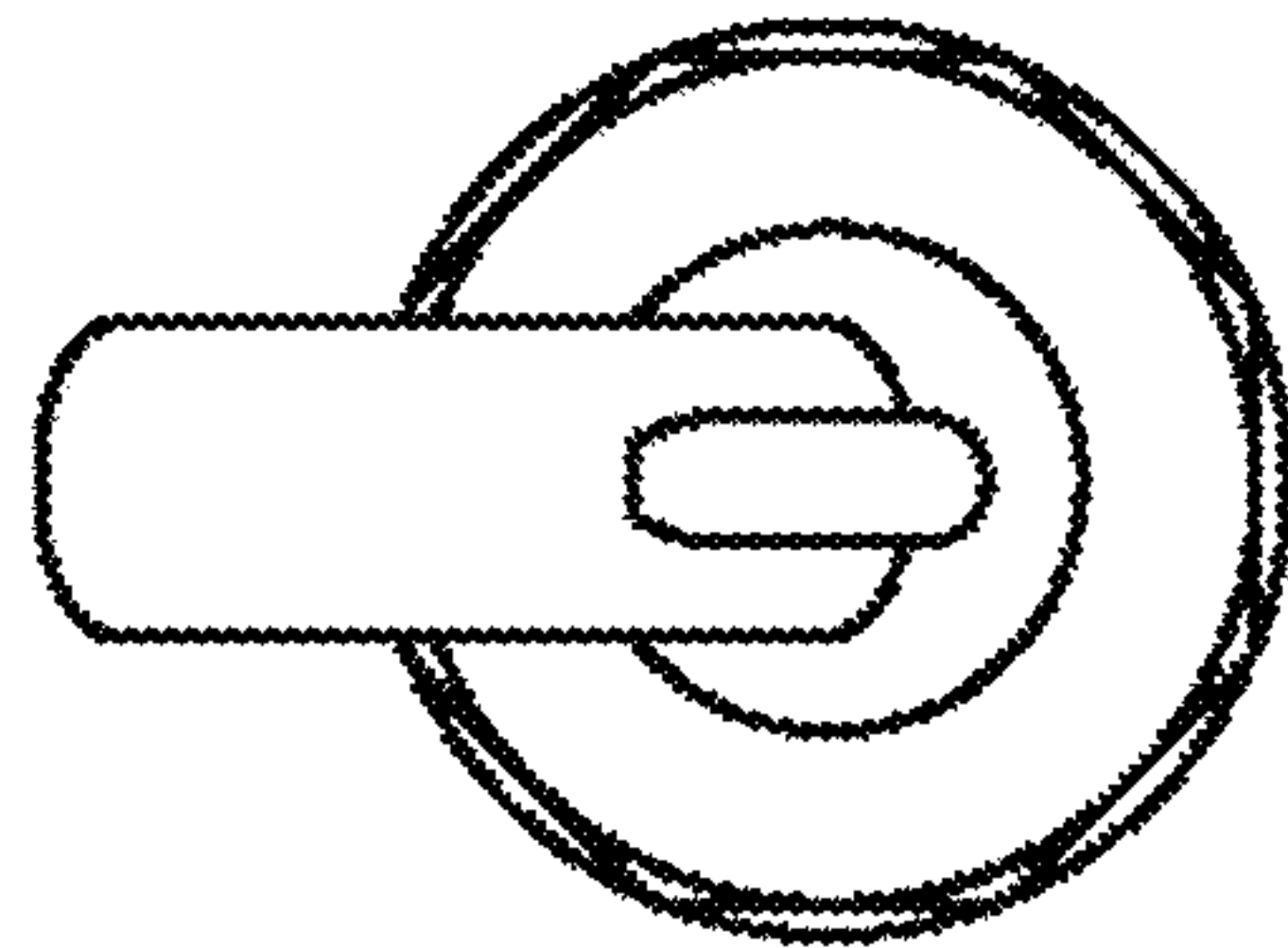


Fig. 10

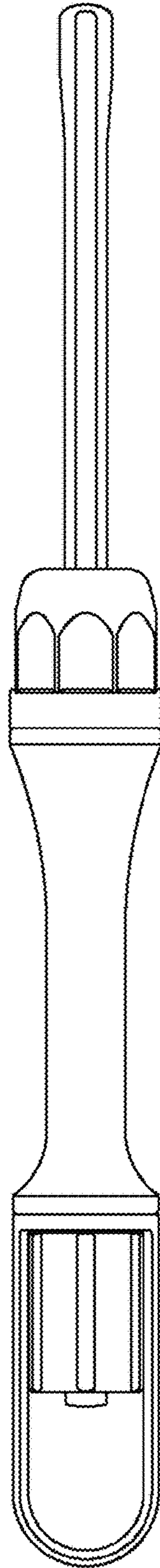


Fig. 11

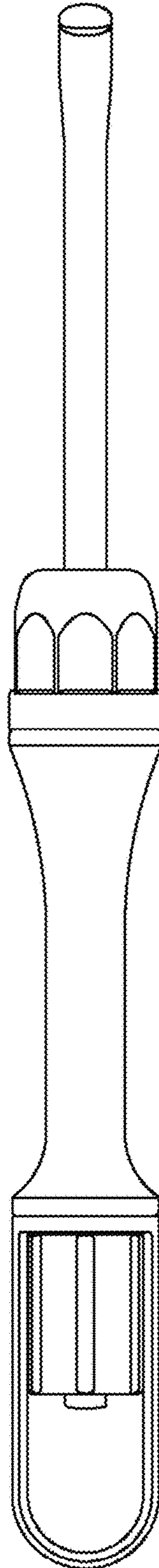


Fig. 12

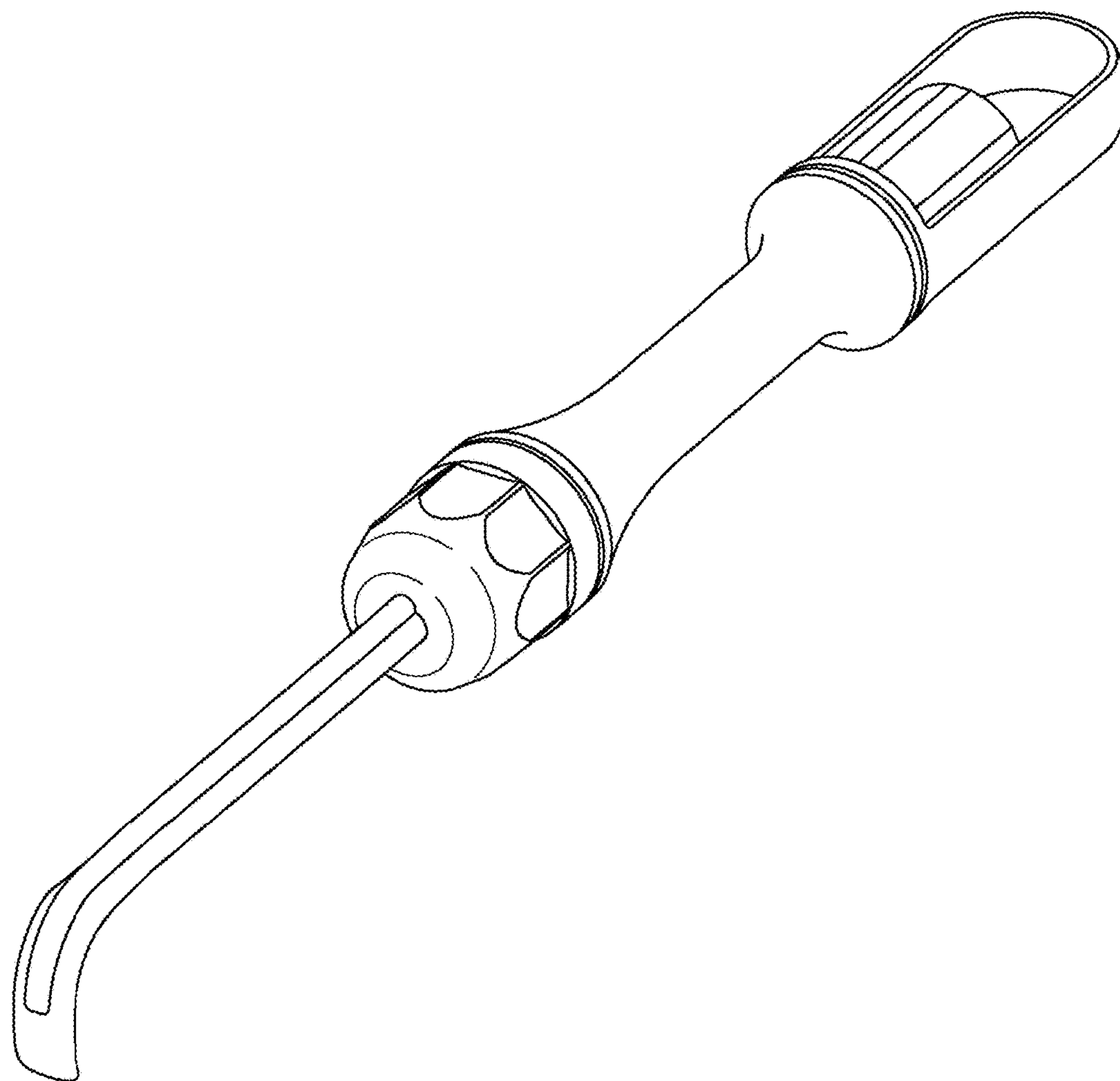


Fig. 13

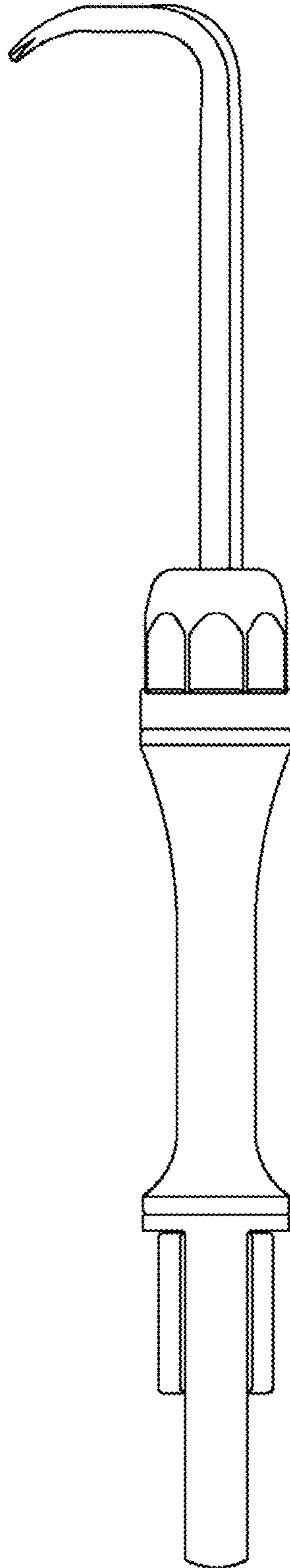


Fig. 14

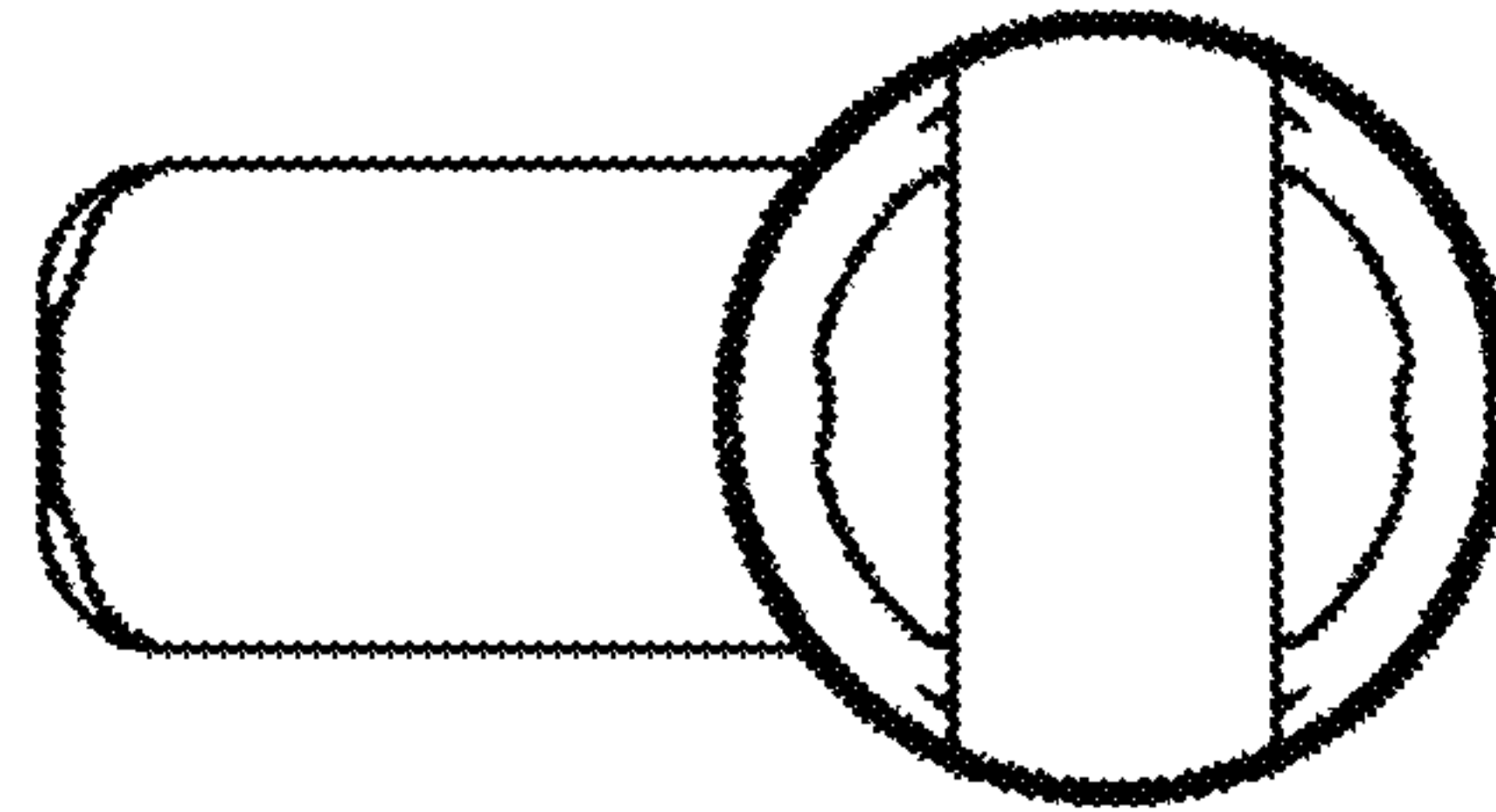


Fig. 15

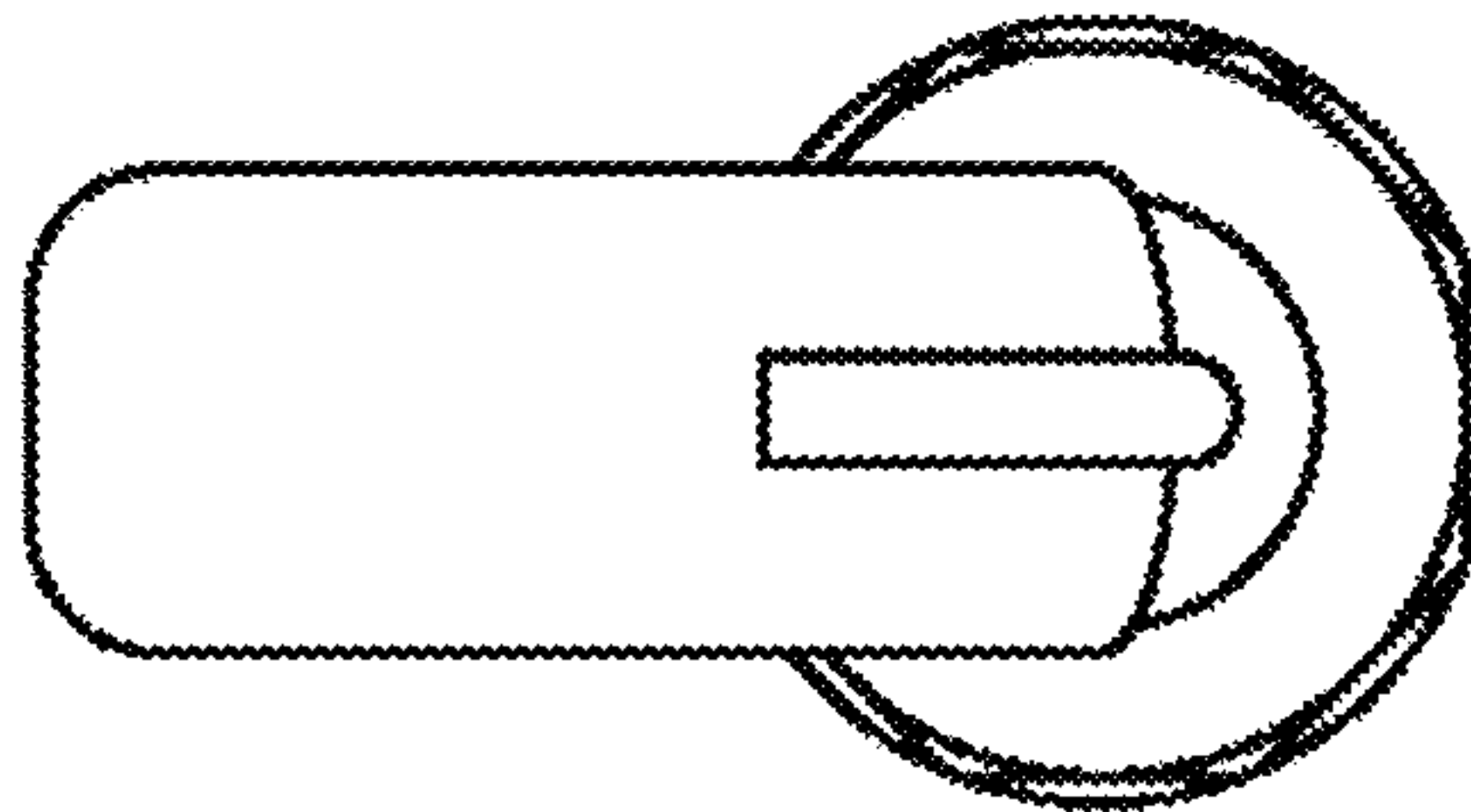


Fig. 16

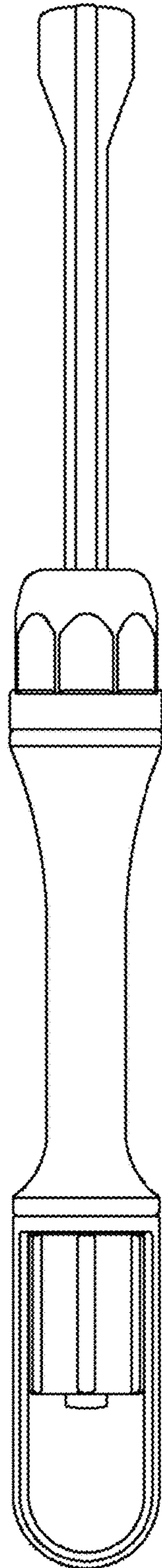


Fig. 17

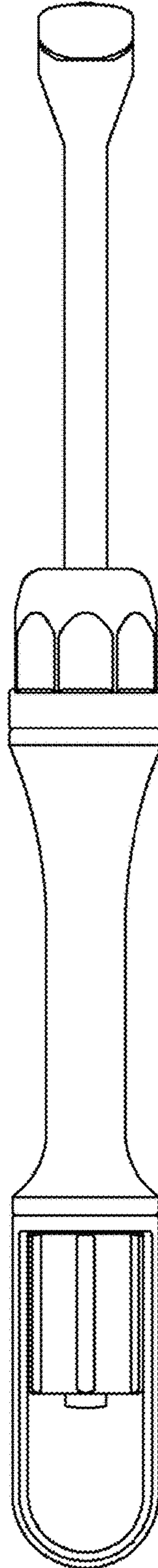


Fig. 18

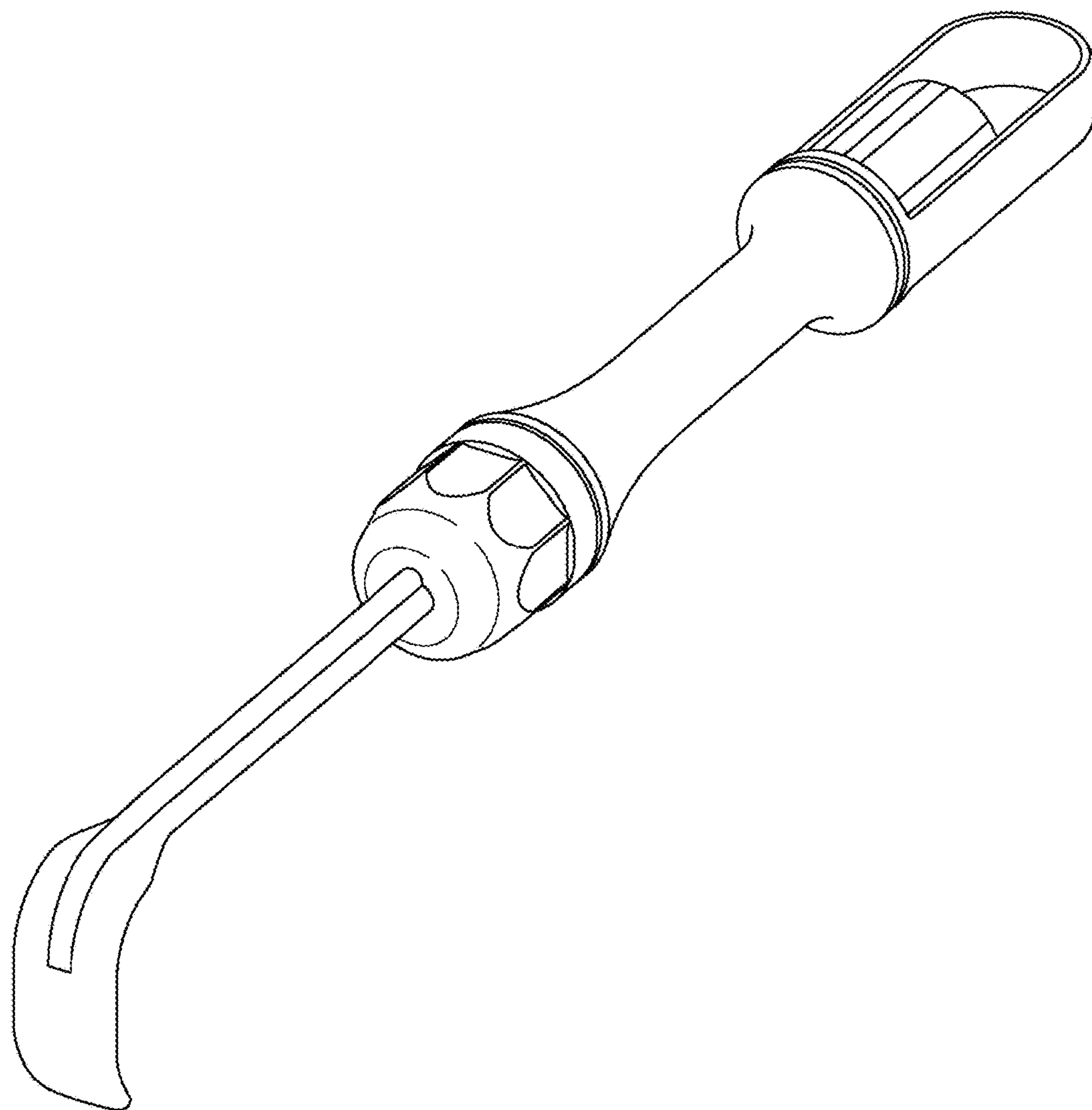


Fig. 19

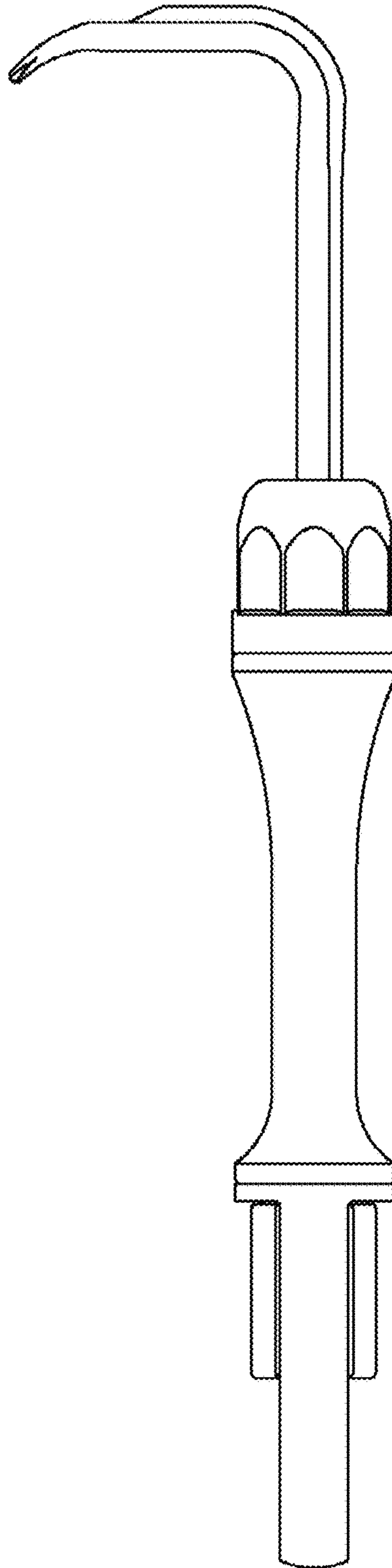


Fig. 20

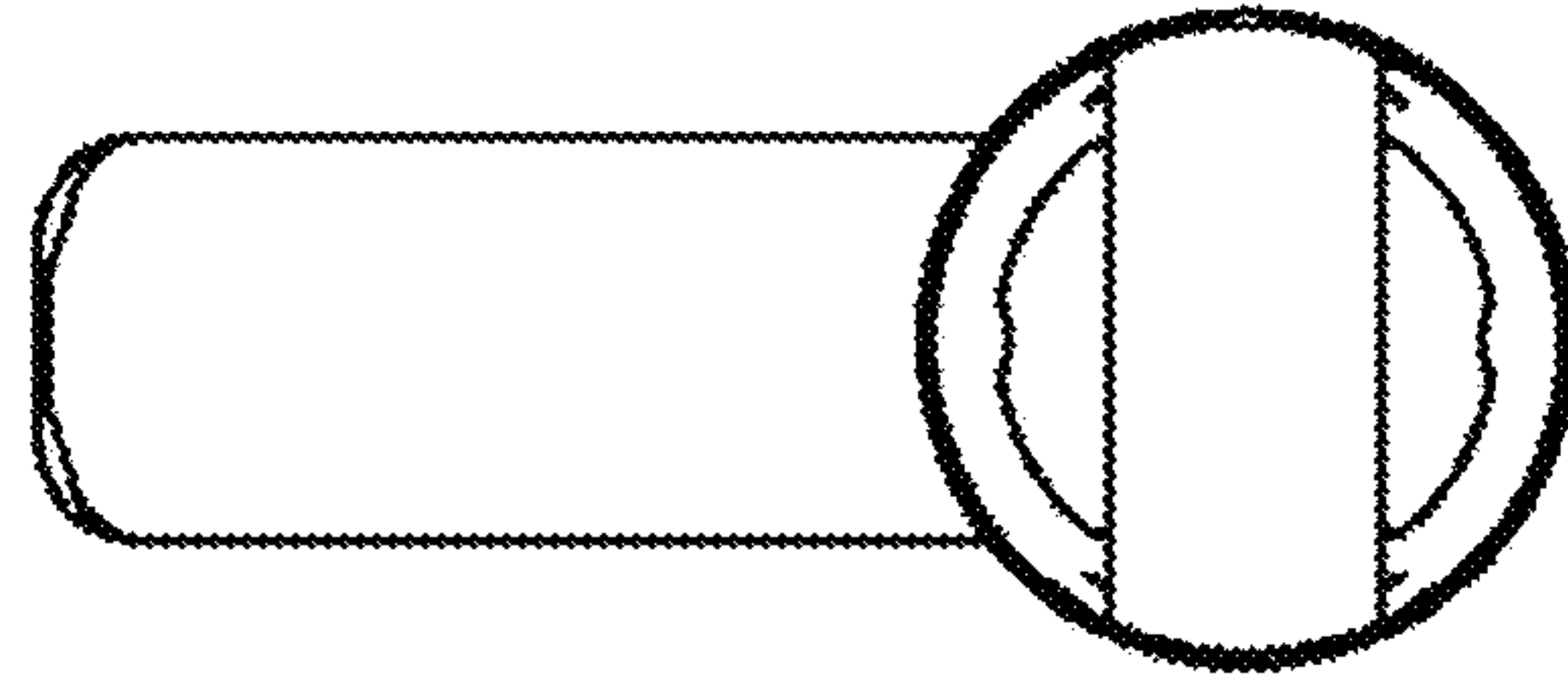


Fig. 21

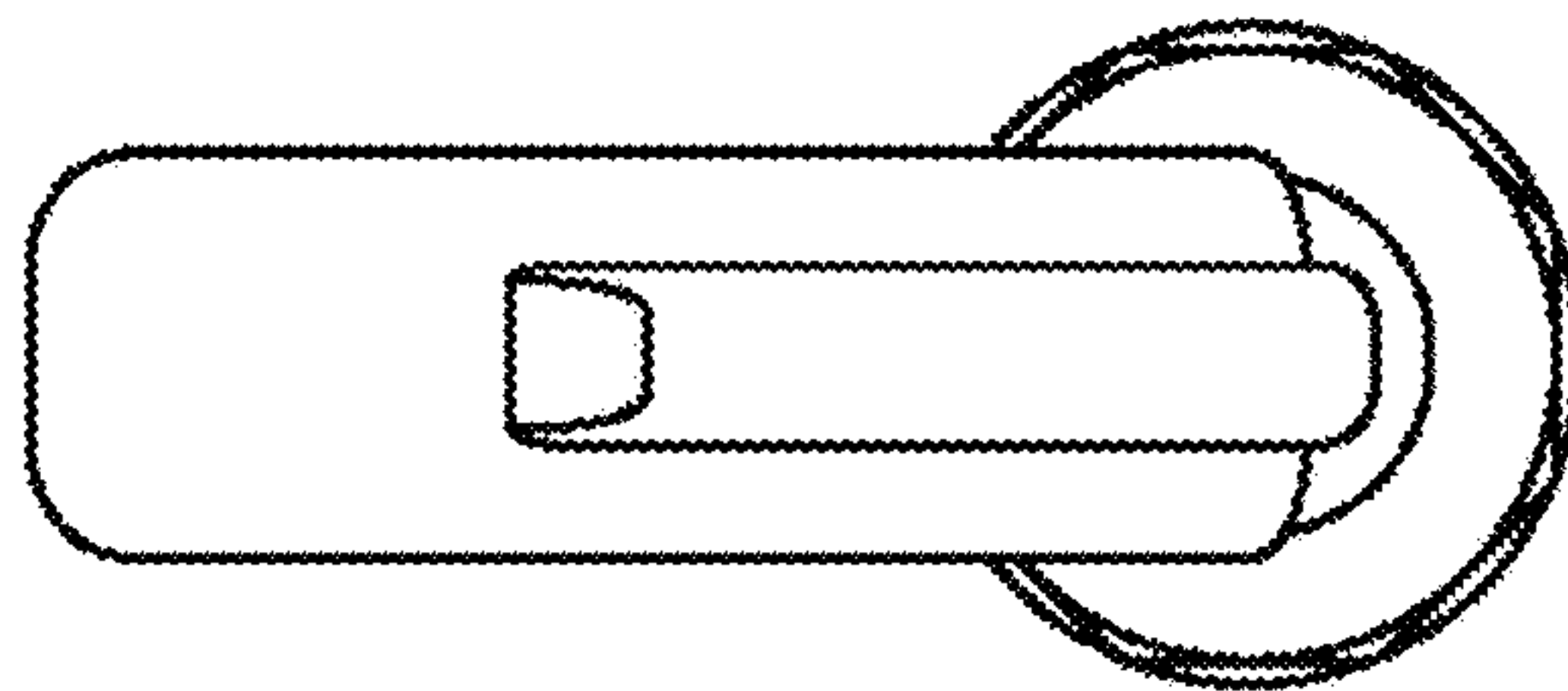


Fig. 22

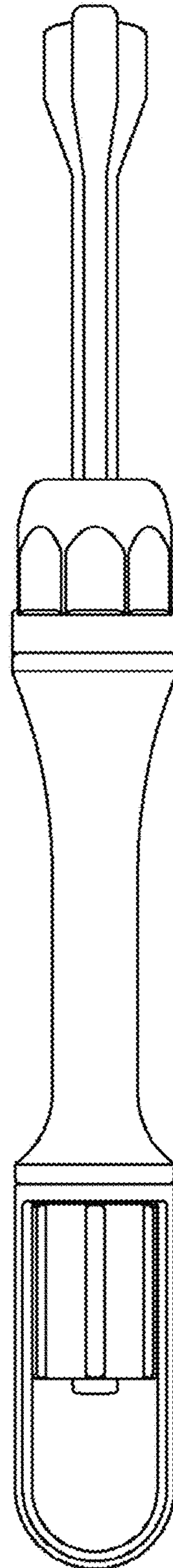


Fig. 23

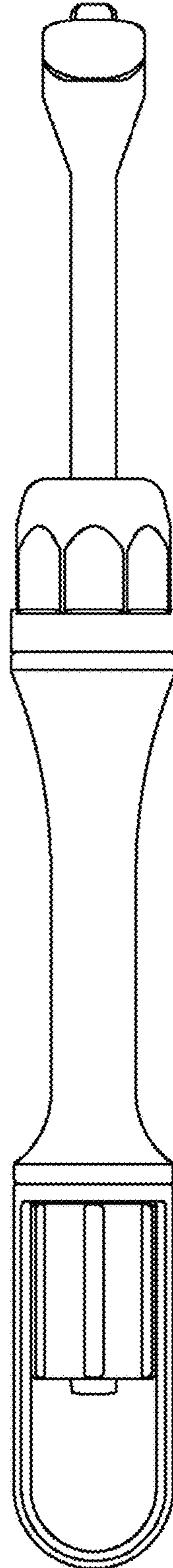


Fig. 24

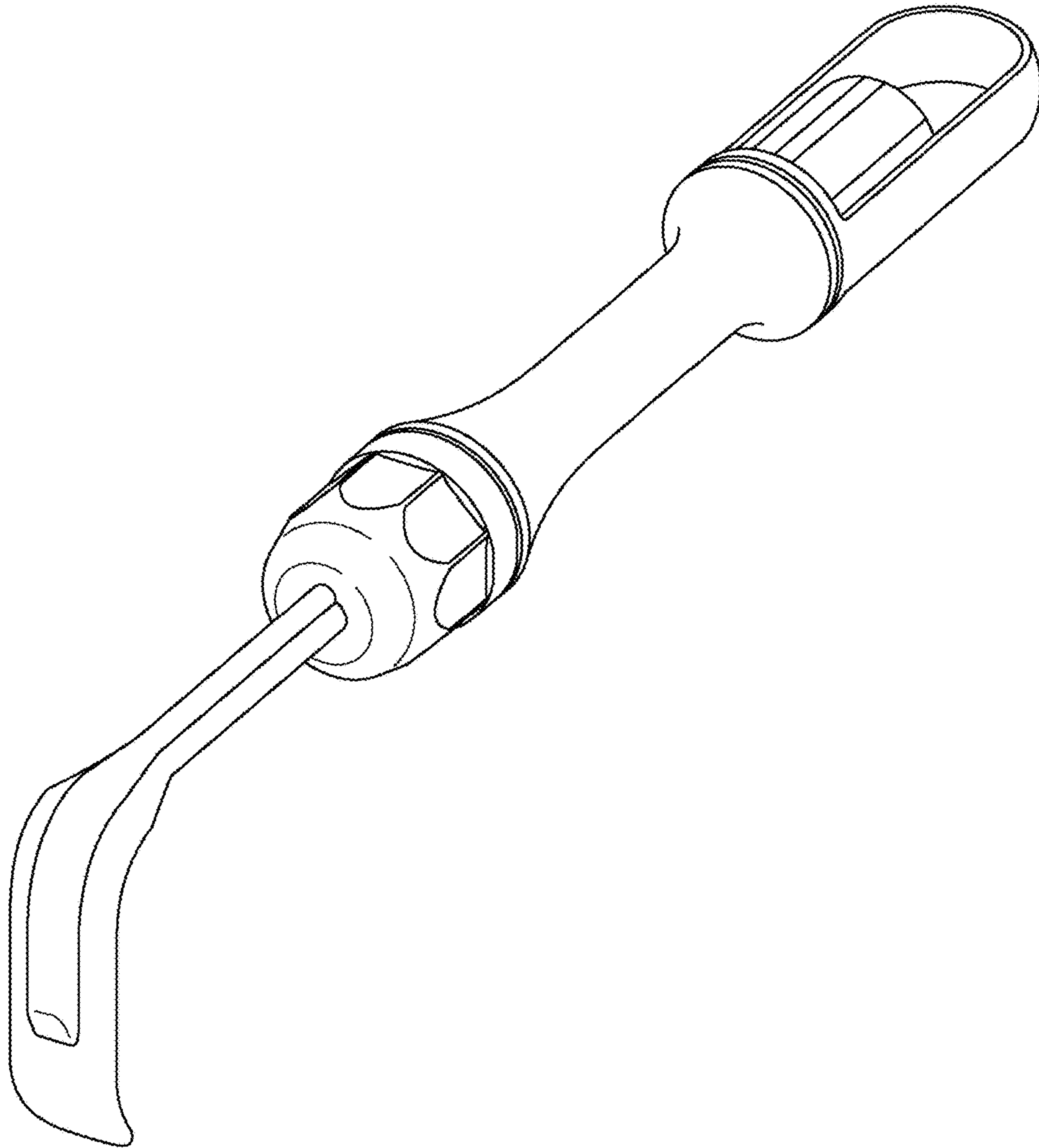


Fig. 25

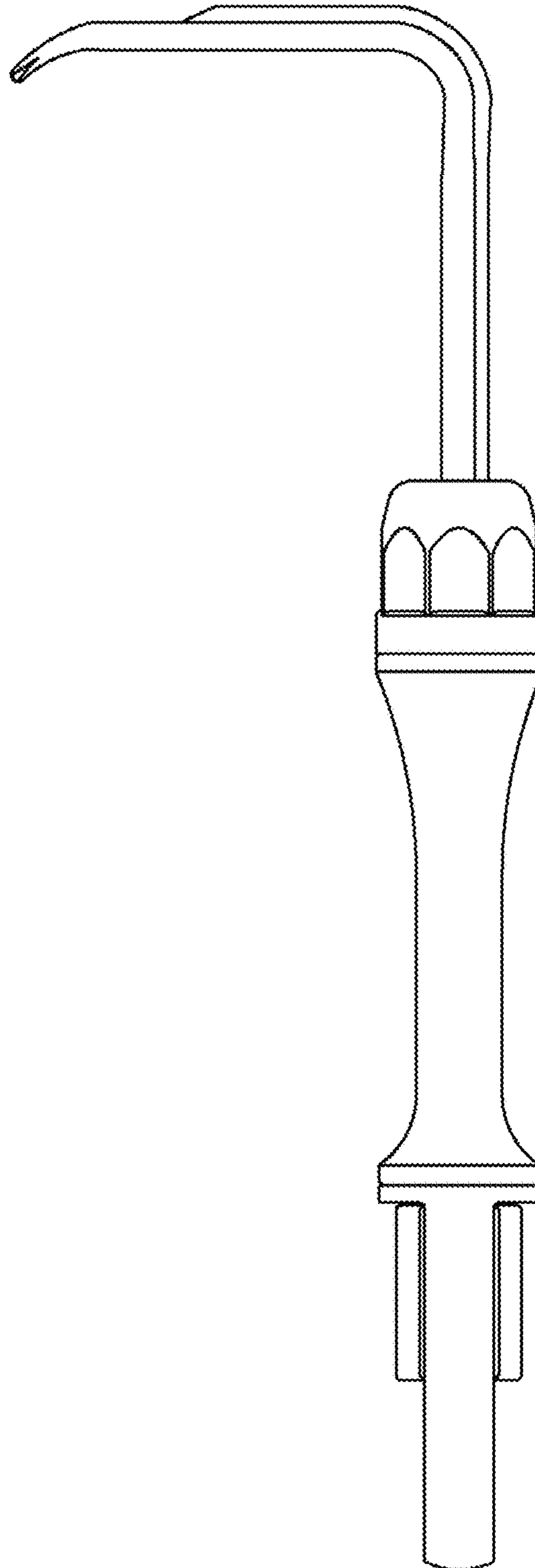


Fig. 26



Fig. 27

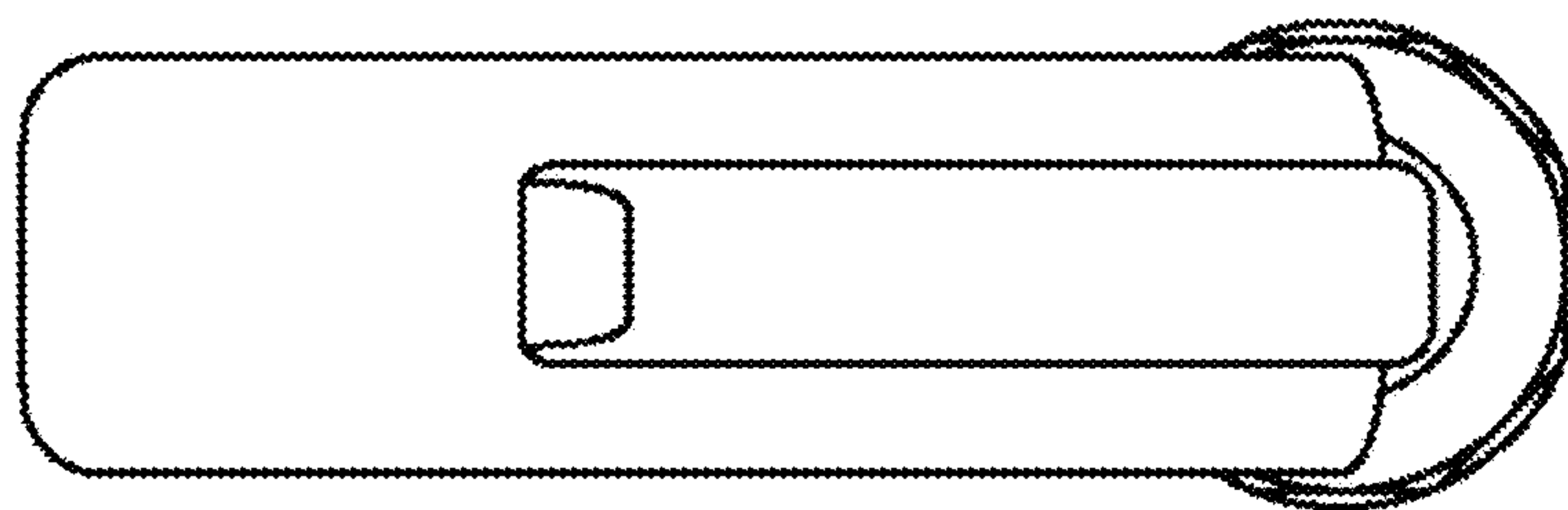


Fig. 28

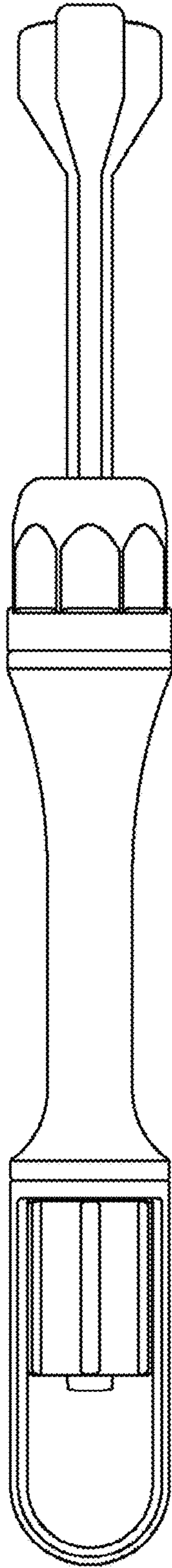


Fig. 29

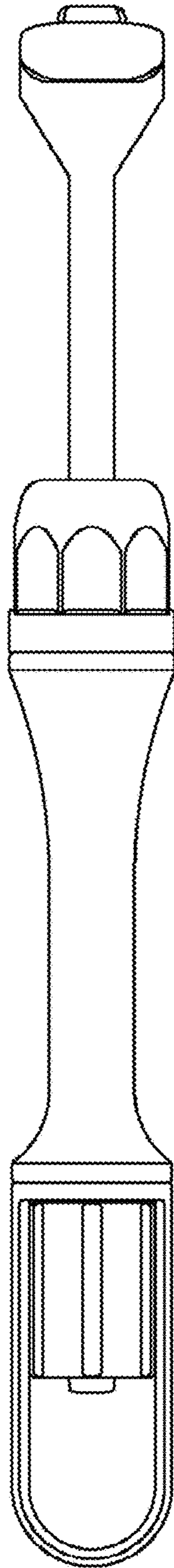


Fig. 30

