



US00D833603S

(12) **United States Design Patent**
Yang et al.

(10) **Patent No.:** **US D833,603 S**

(45) **Date of Patent:** **** Nov. 13, 2018**

(54) **INJECTOR BODY**

(71) Applicant: **Samsung Bioepis Co., Ltd.**, Incheon (KR)

(72) Inventors: **Jee Eun Yang**, Incheon (KR); **Sang Bin Park**, Incheon (KR); **Jae Min Song**, Incheon (KR); **Yong Kook Kim**, Incheon (KR)

(73) Assignee: **Samsung Bioepis Co., Ltd.**, Incheon (KR)

(**) Term: **15 Years**

(21) Appl. No.: **29/631,015**

(22) Filed: **Dec. 26, 2017**

(30) **Foreign Application Priority Data**

Jun. 26, 2017 (KR) 30-2017-0029242

(51) **LOC (11) Cl.** **24-02**

(52) **U.S. Cl.**
USPC **D24/114**

(58) **Field of Classification Search**
USPC D24/112–114, 108, 130, 127, 133, 186;
606/181, 185; 604/264, 523–528, 272,
604/164.01–164.11, 187, 93.01; 600/101,
600/139, 143; 128/200.24, 207.14,
128/207.15
CPC .. A61M 25/065; A61M 5/42; A61M 25/0612;
A61M 25/00; A61M 39/00; A61M 27/00;
A61M 25/0043; A61M 25/0067; A61M
25/0097; A61F 2/958

See application file for complete search history.

(56) **References Cited**

U.S. PATENT DOCUMENTS

D608,885 S * 1/2010 Sneddon D24/127
D609,807 S * 2/2010 Hashimoto D24/133

D618,347 S * 6/2010 Bradshaw D24/108
D690,416 S * 9/2013 Cappello D24/112
D695,892 S * 12/2013 Cappello D24/113
D729,931 S * 5/2015 Takeuchi D24/114
D743,560 S * 11/2015 Pietrantonio D24/186
D747,476 S * 1/2016 Kawamura D24/130
D763,438 S * 8/2016 Gouret D24/108
D770,612 S * 11/2016 Green D24/114
D785,162 S * 4/2017 Swisher D24/114
D792,579 S * 7/2017 Ohashi D24/114
D818,117 S * 5/2018 Green D24/112

* cited by examiner

Primary Examiner — David G Muller

(74) *Attorney, Agent, or Firm* — Novick, Kim & Lee, PLLC; Sang Ho Lee

(57) **CLAIM**

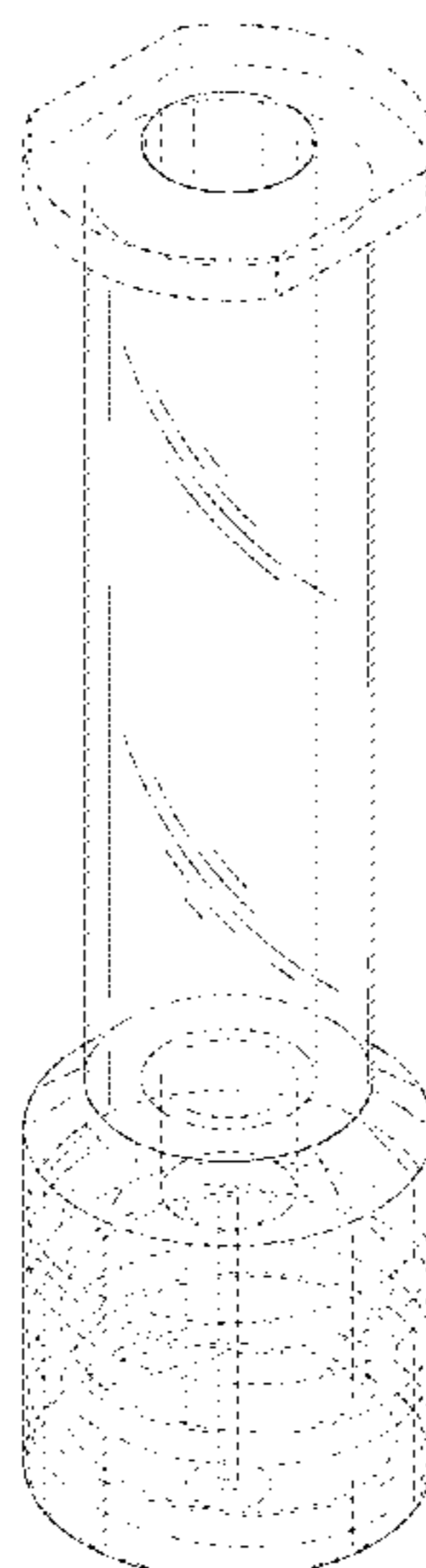
We claim the ornamental design for an injector body, as shown and described.

DESCRIPTION

FIG. 1 is a perspective view of an injector body, showing our new design;
FIG. 2 is a front elevational view thereof;
FIG. 3 is a rear elevational view thereof;
FIG. 4 is a left side elevational view thereof;
FIG. 5 is a right side elevational view thereof;
FIG. 6 is a top plan view thereof;
FIG. 7 is a bottom plan view thereof; and,
FIG. 8 is a cross-sectional view taken along line 8-8 in FIG. 6.

The broken line showing of parts of the injector body is included for the purpose of illustrating use and environment and forms no part of the claimed design. The dash dot lines immediately adjacent to the claimed areas in the views represent the boundaries of the claimed design. None of the broken lines form any part of the claimed design.

1 Claim, 7 Drawing Sheets



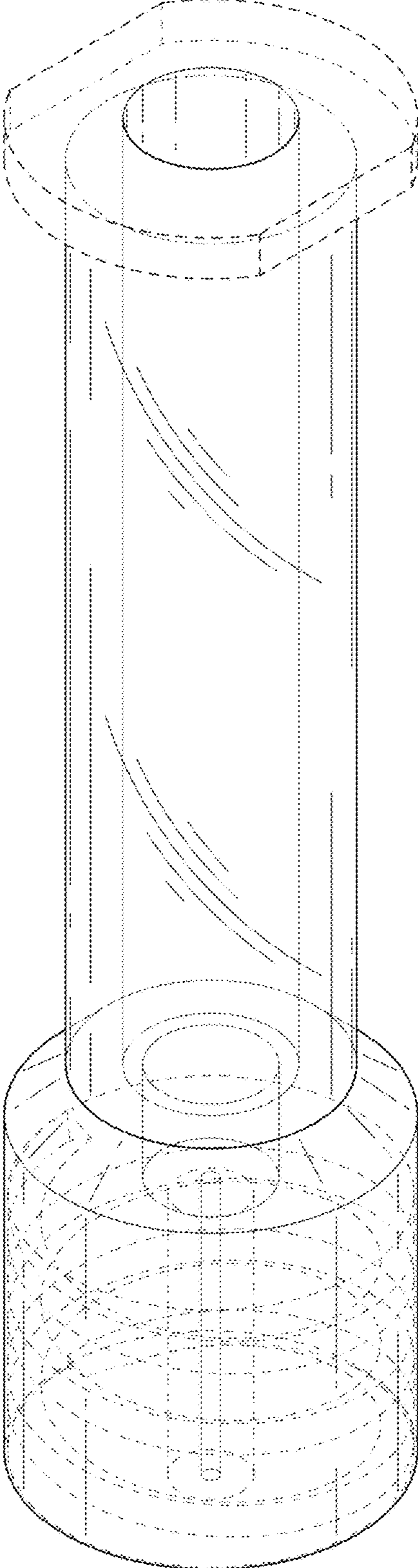


FIG. 1

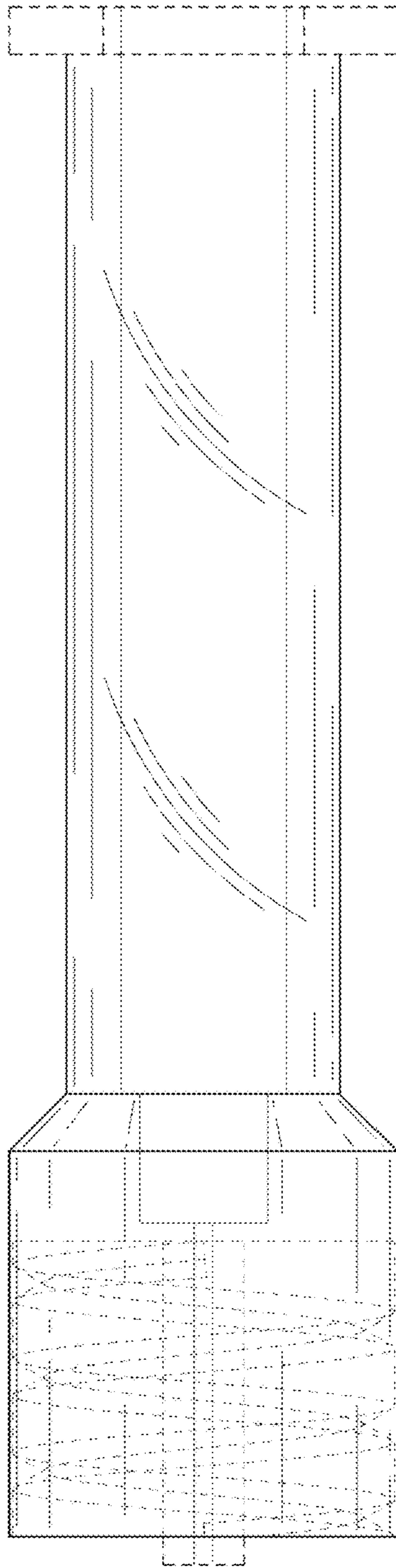


FIG. 2

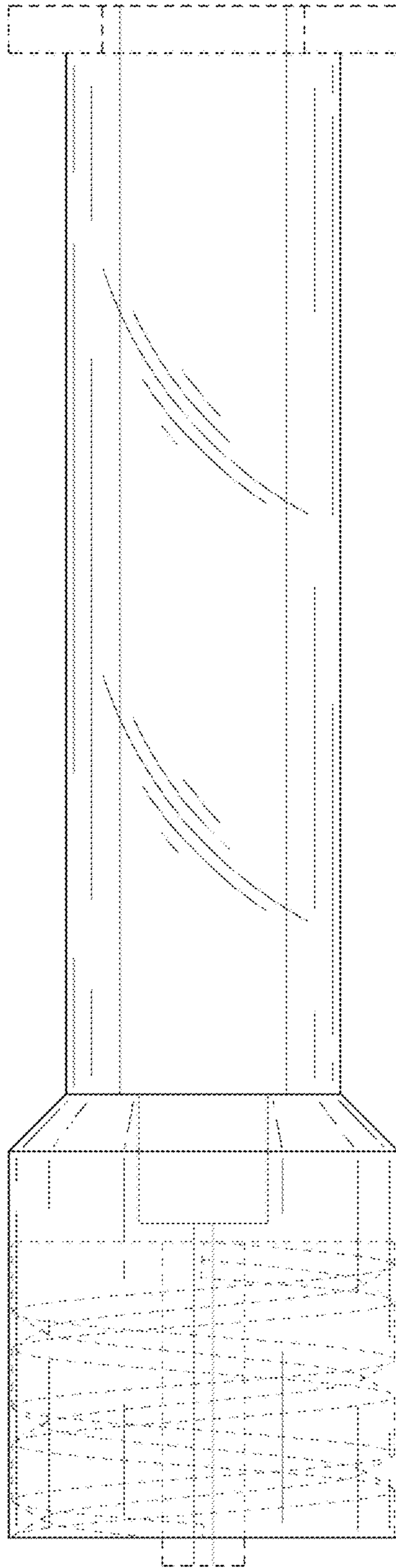


FIG. 3

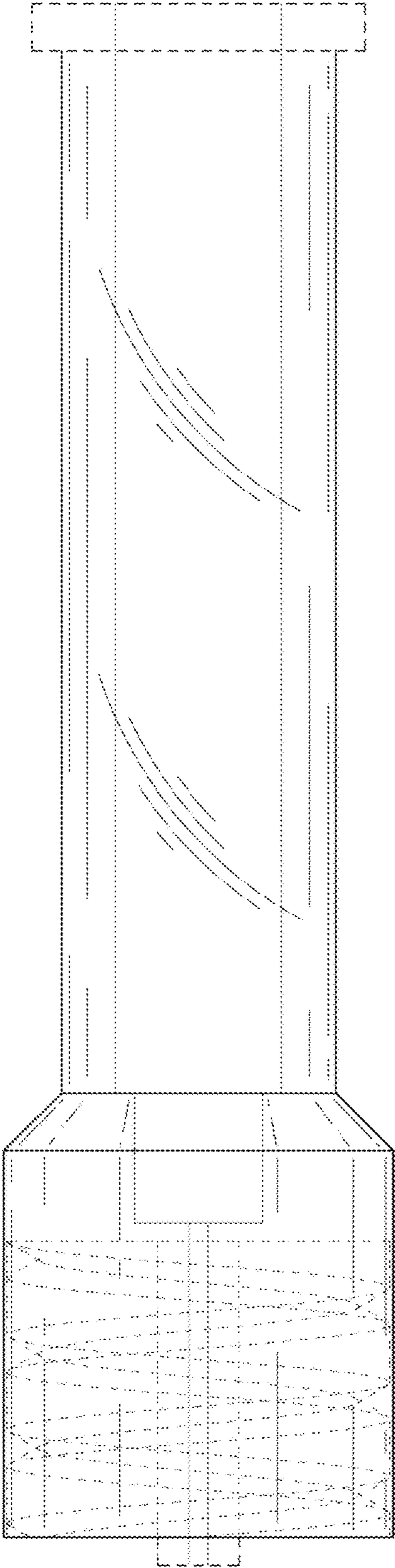


FIG. 4

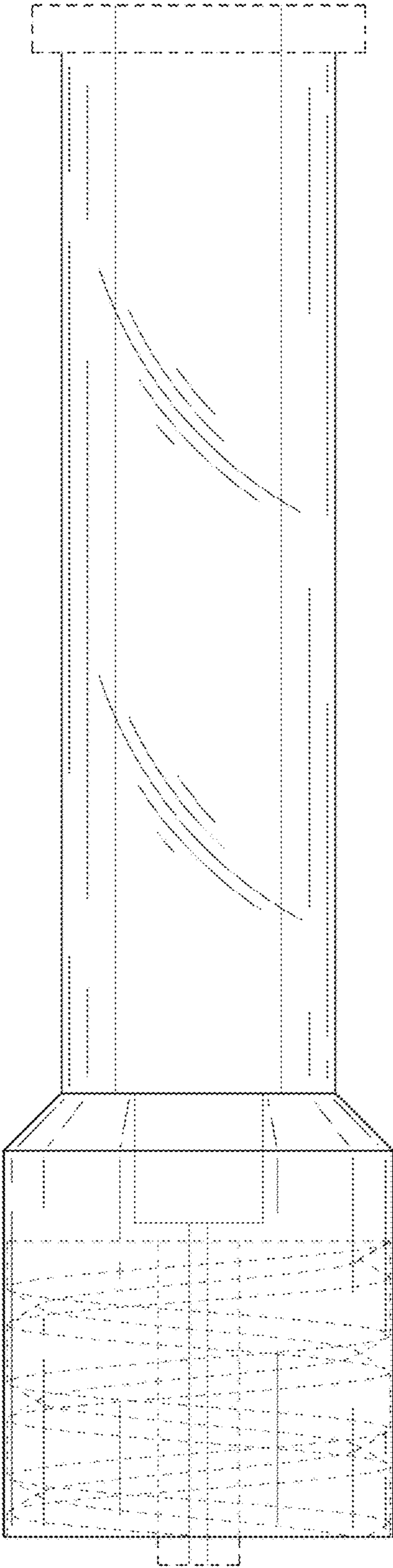


FIG. 5

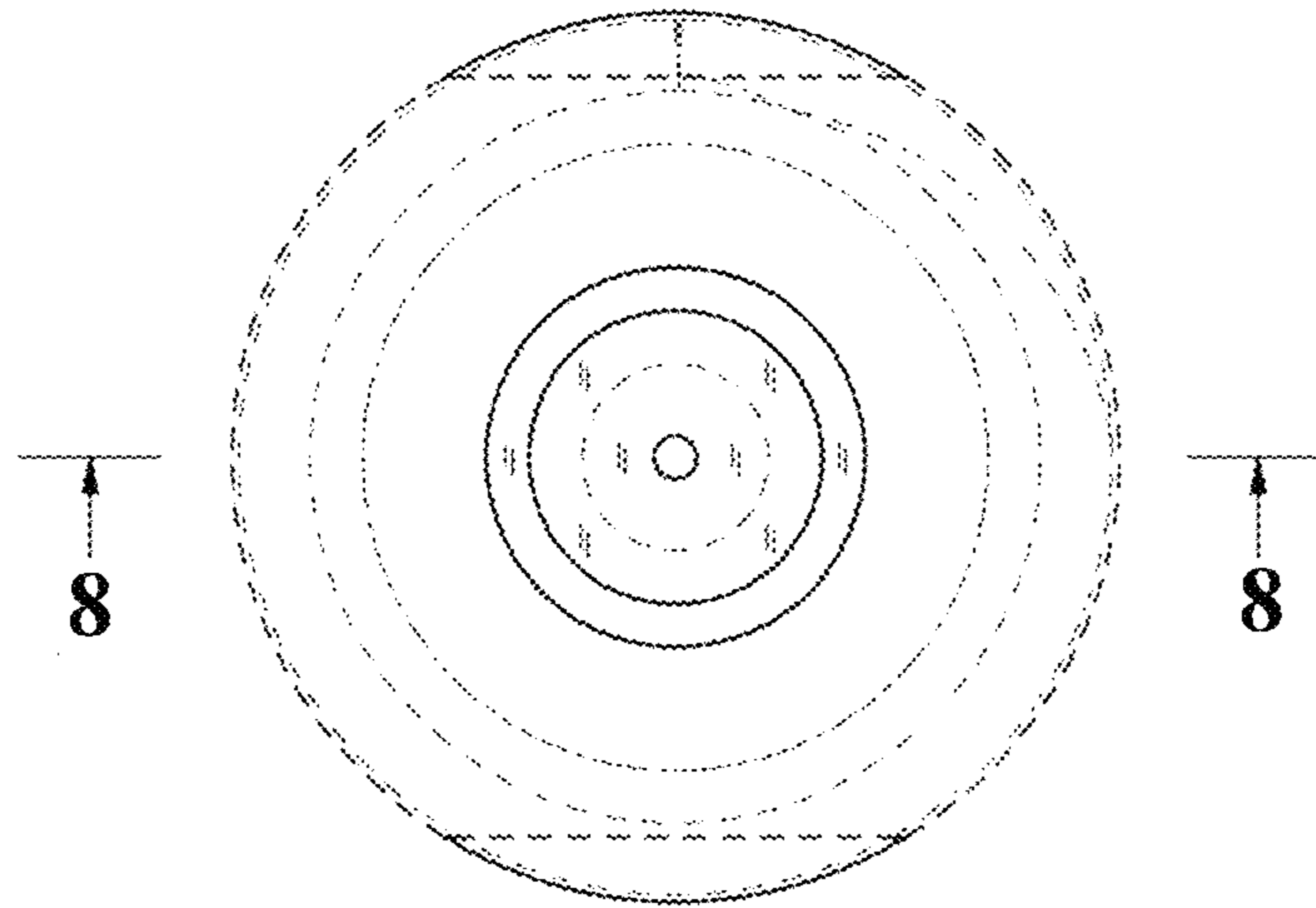


FIG. 6

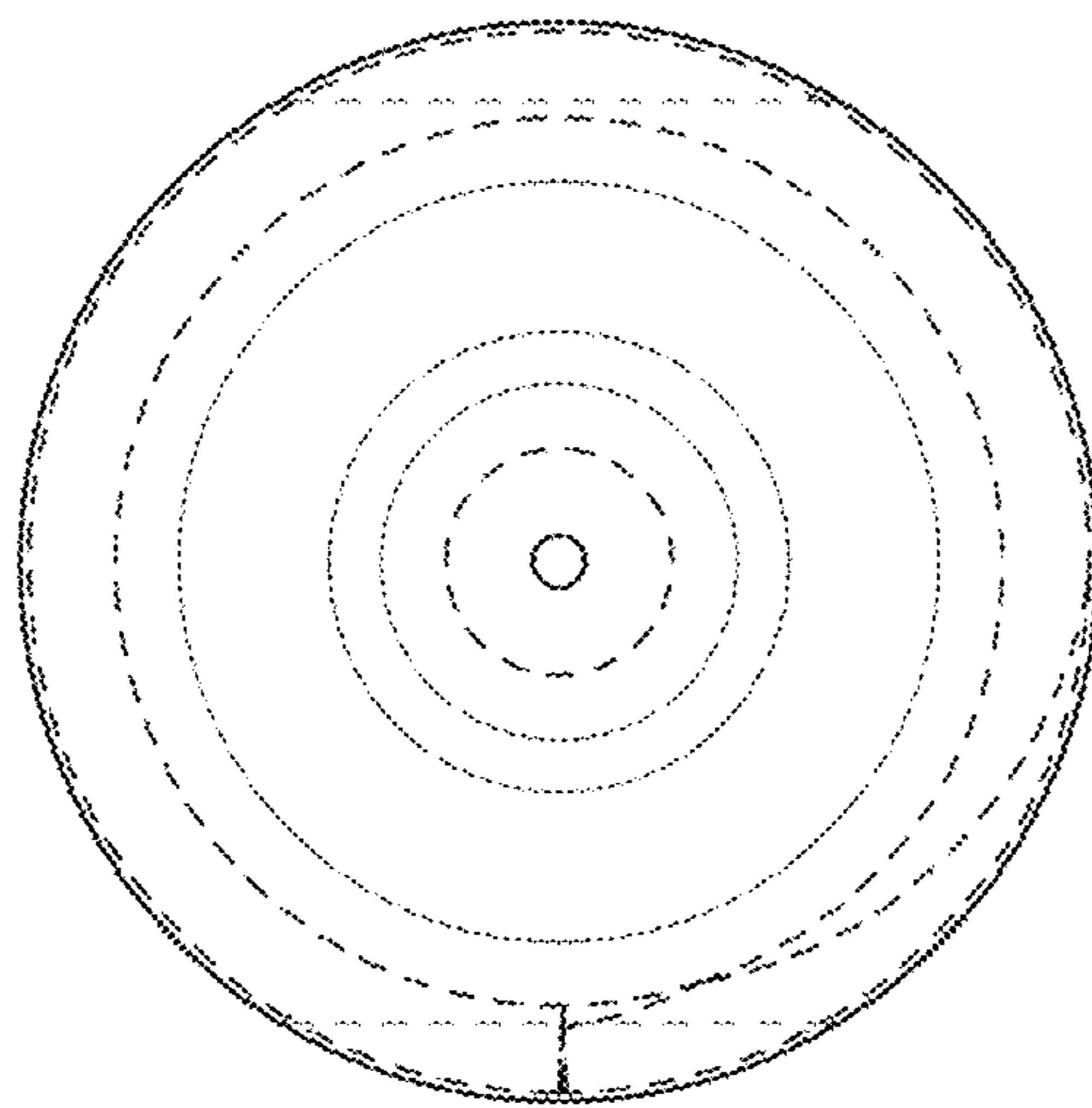


FIG. 7

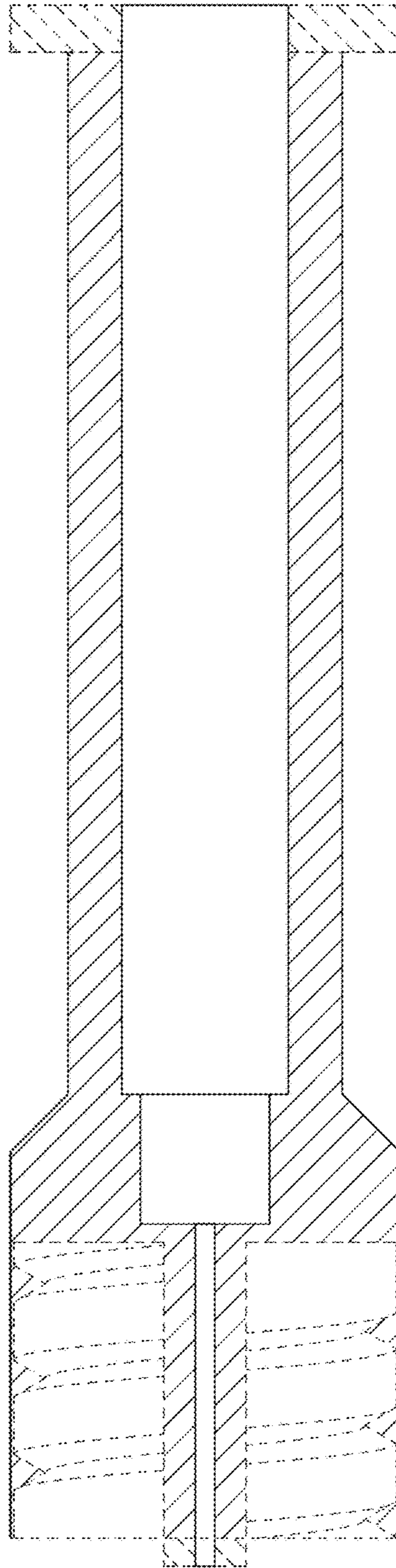


FIG. 8