



US00D833597S

(12) **United States Design Patent**  
**Hidalgo**

(10) **Patent No.:** **US D833,597 S**

(45) **Date of Patent:** **\*\* Nov. 13, 2018**

(54) **COMBINATION CEILING FAN AND LIGHT  
FIXTURE**

(71) Applicant: **Minka Lighting, Inc.**, Corona, CA  
(US)

(72) Inventor: **Rolando Hidalgo**, Yorba Linda, CA  
(US)

(73) Assignee: **Minka Lighting, Inc.**, Corona, CA  
(US)

(\*\*) Term: **15 Years**

(21) Appl. No.: **29/649,875**

(22) Filed: **Jun. 1, 2018**

**Related U.S. Application Data**

(63) Continuation-in-part of application No. 29/590,097,  
filed on Jan. 6, 2017.

(51) **LOC (11) Cl.** ..... **23-04**

(52) **U.S. Cl.**  
USPC ..... **D23/377**

(58) **Field of Classification Search**  
USPC ..... D23/370, 377, 379, 385, 411; D26/59  
CPC ..... F04D 25/088; F21V 33/0096  
See application file for complete search history.

(56) **References Cited**

**U.S. PATENT DOCUMENTS**

D425,610 S \* 5/2000 Gee, II ..... D23/377  
D428,982 S \* 8/2000 Oldenburg ..... D23/377

D464,722 S \* 10/2002 Sonneman ..... D23/377  
D519,200 S \* 4/2006 Young ..... D23/377  
D537,932 S \* 3/2007 Young ..... D23/377  
D557,787 S \* 12/2007 Gajewski ..... D23/377  
D807,488 S \* 1/2018 McRoberts ..... D23/377

\* cited by examiner

*Primary Examiner* — Janice Hallmark

(74) *Attorney, Agent, or Firm* — Baker & McKenzie LLP

(57) **CLAIM**

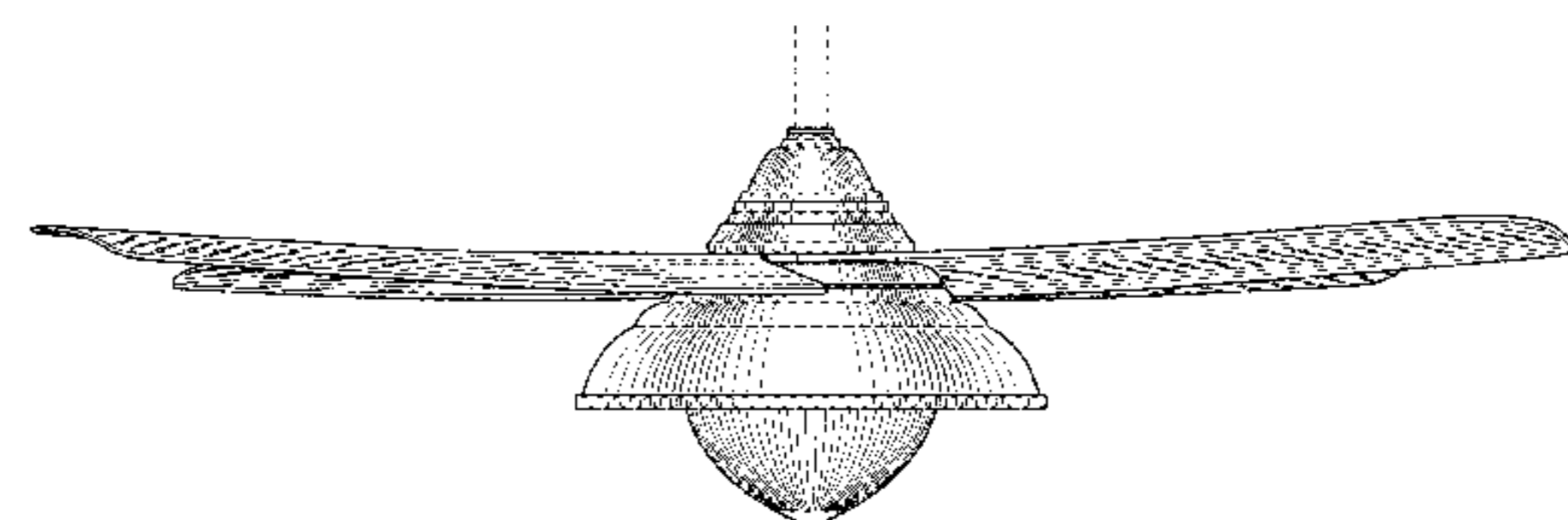
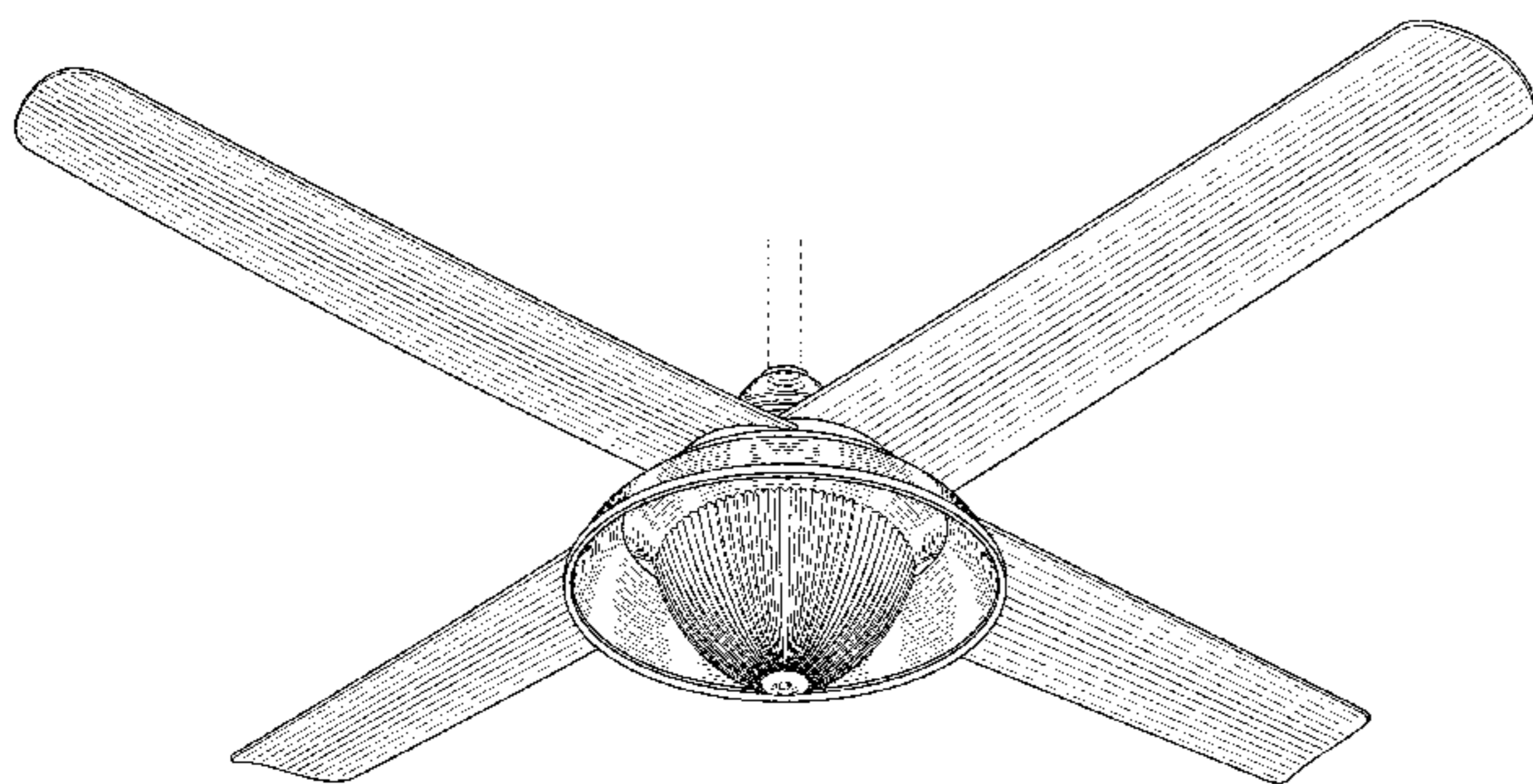
The ornamental design for a combination ceiling fan and  
light fixture, as shown and described.

**DESCRIPTION**

FIG. 1 is a perspective view of a combination ceiling fan and  
light fixture in accordance with my design;  
FIG. 2 is a top plan view thereof;  
FIG. 3 is a bottom plan view thereof;  
FIG. 4 is a front elevation view thereof, the opposite side  
being a mirror image of that shown;  
FIG. 5 is a left elevation view thereof, the opposite side  
being a mirror image of that shown; and,  
FIG. 6 is an elevation view thereof between the front and the  
left elevation views.

The broken lines in the drawings illustrate portions of the  
ceiling fan that form no part of the claimed design.

**1 Claim, 5 Drawing Sheets**



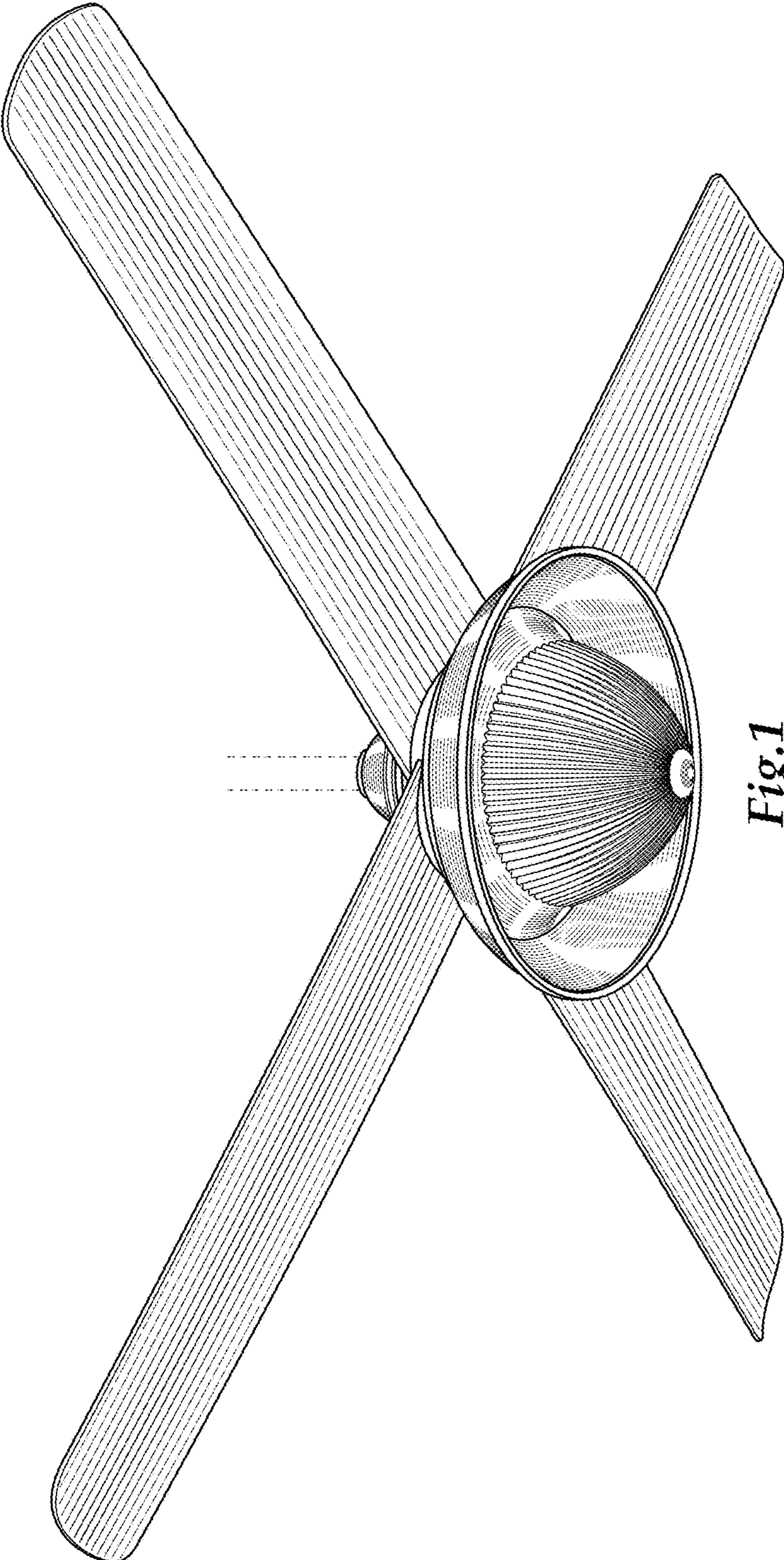
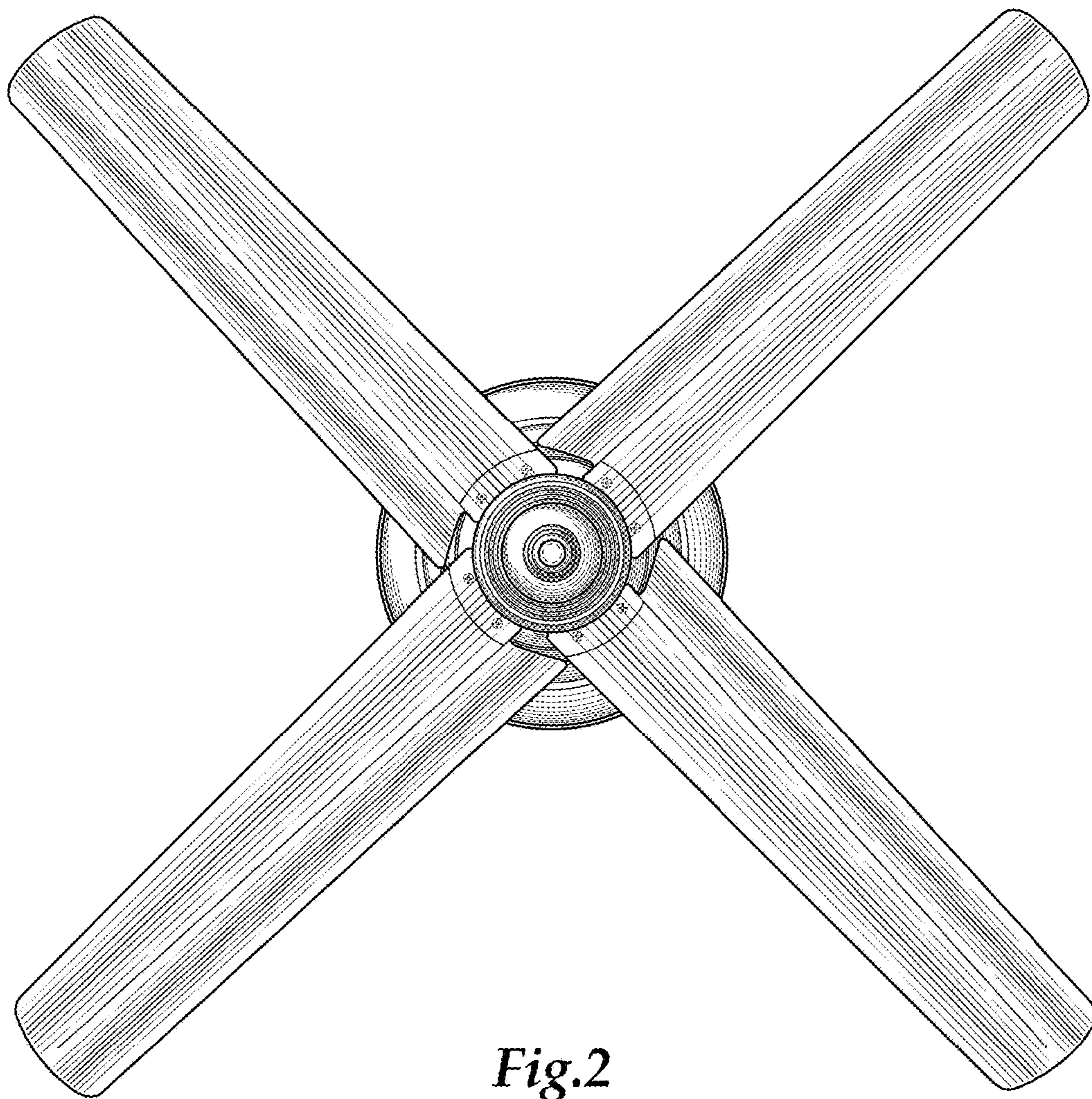
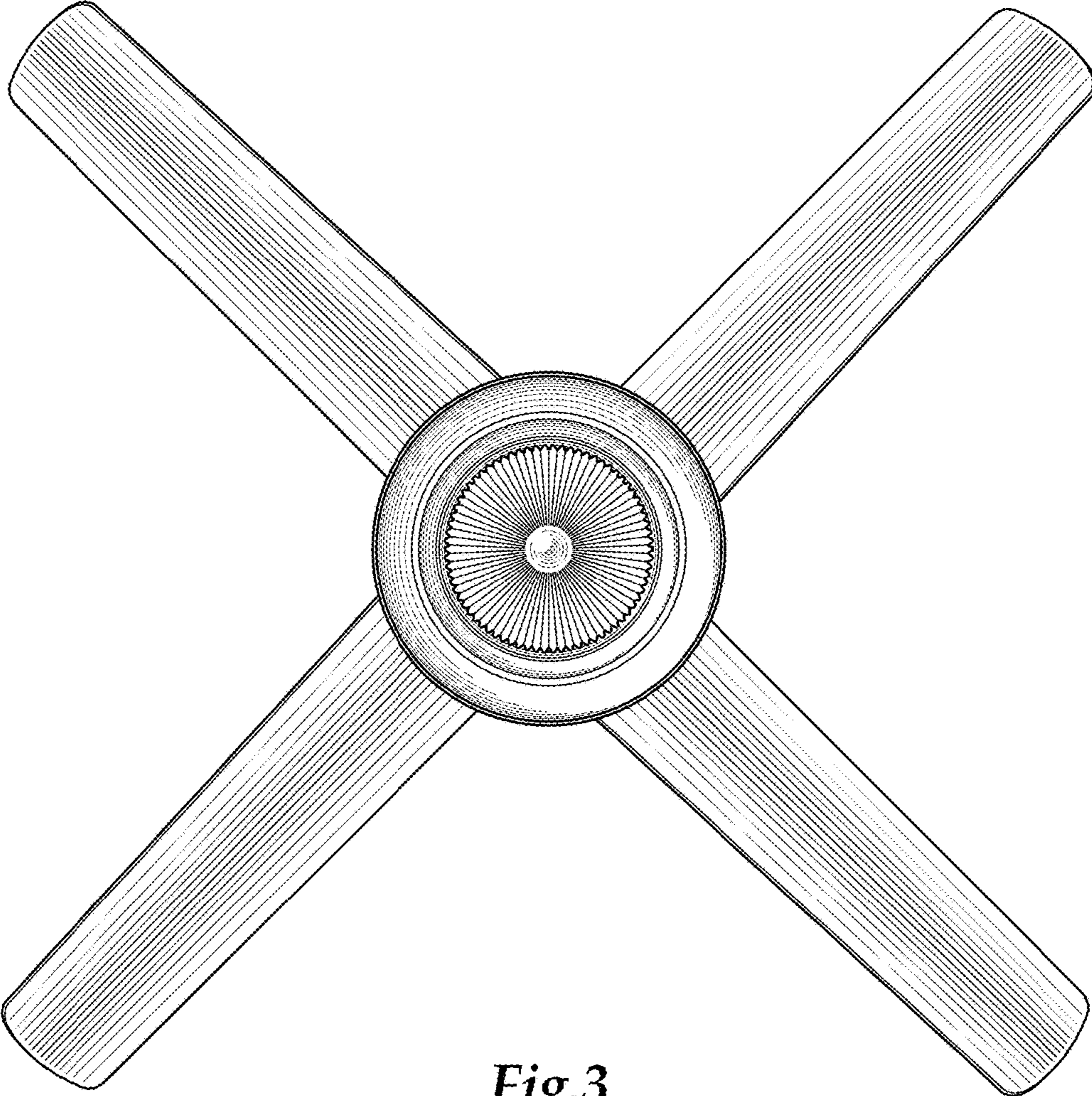


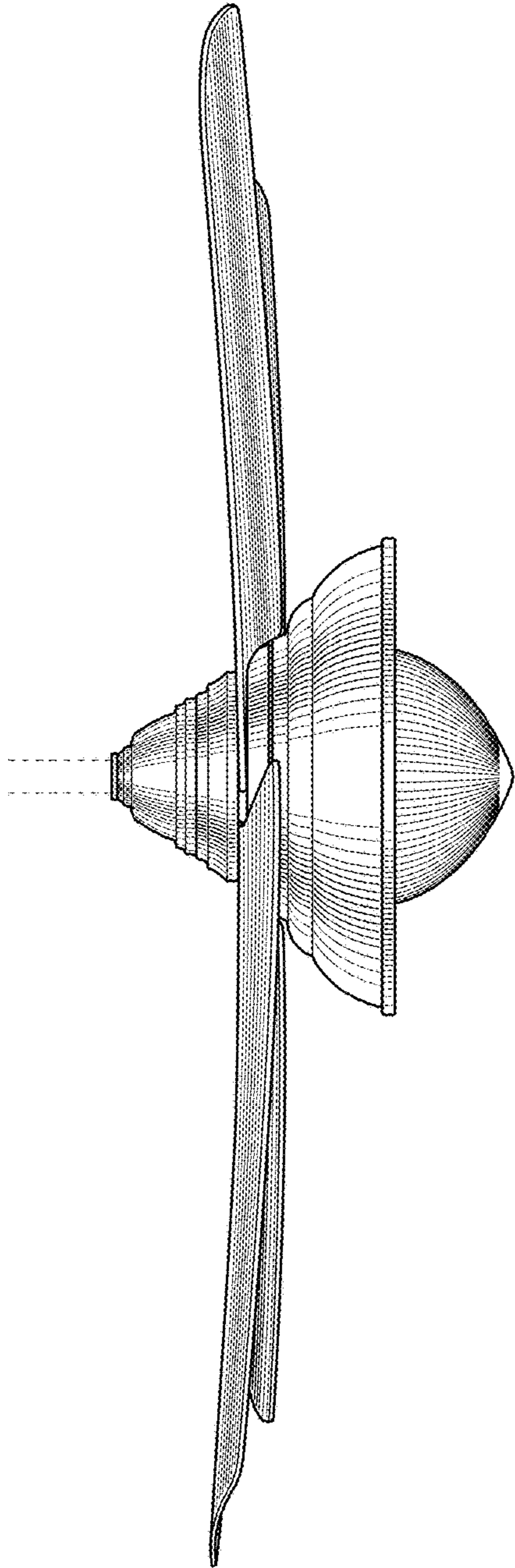
Fig. 1



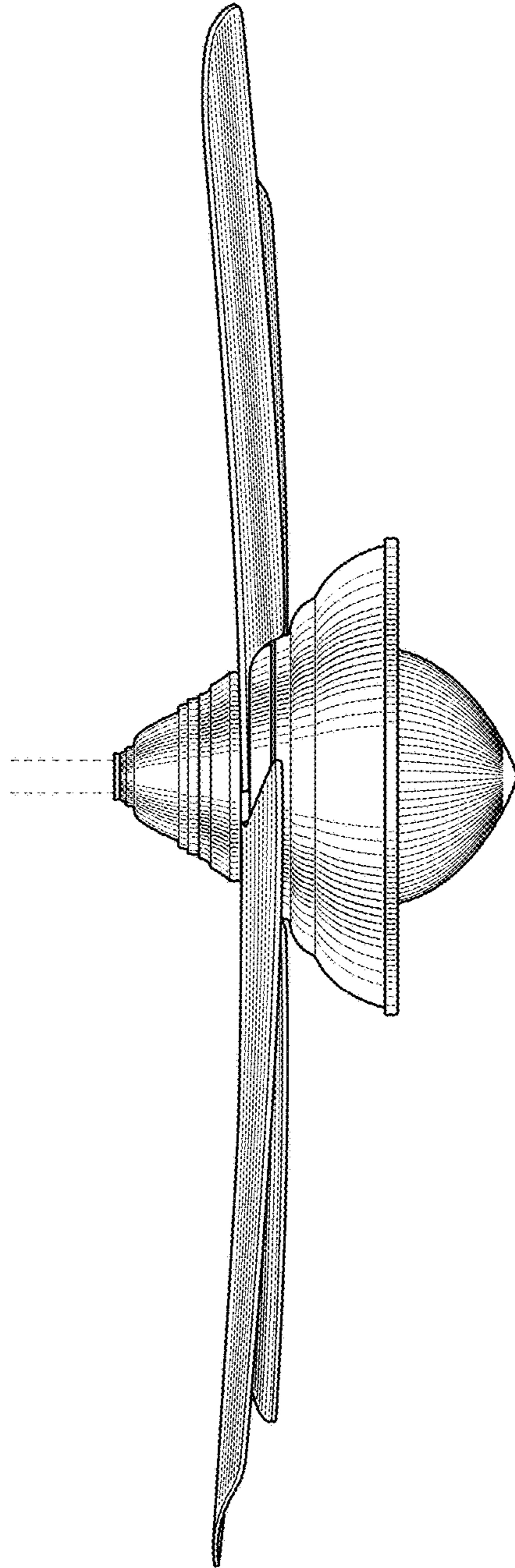
*Fig.2*



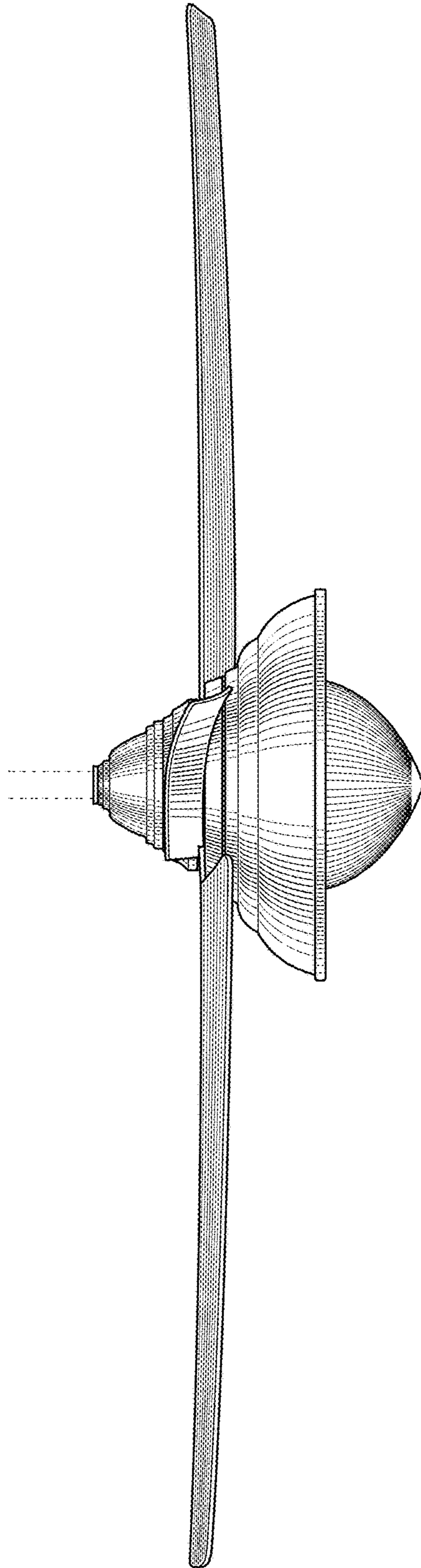
*Fig.3*



*Fig.4*



*Fig.5*



*Fig. 6*