



US00D833596S

(12) **United States Design Patent**
Schulzman

(10) **Patent No.:** **US D833,596 S**
(45) **Date of Patent:** **** Nov. 13, 2018**

(54) **COMBINATION CEILING FAN AND LIGHT FIXTURE**

(71) Applicant: **Minka Lighting, Inc.**, Corona, CA (US)

(72) Inventor: **Kurt Schulzman**, Long Beach, CA (US)

(73) Assignee: **Minka Lighting, Inc.**, Corona, CA (US)

(**) Term: **15 Years**

(21) Appl. No.: **29/632,587**

(22) Filed: **Jan. 9, 2018**

Related U.S. Application Data

(63) Continuation-in-part of application No. 29/590,086, filed on Jan. 6, 2017.

(51) **LOC (11) Cl.** **23-04**

(52) **U.S. Cl.**
USPC **D23/377**

(58) **Field of Classification Search**
USPC D23/370, 377, 379, 385, 411; D26/59
CPC F04D 25/088; F04D 25/06; F04D 29/00;
F24F 7/00; F04B 17/00; H02K 11/001
See application file for complete search history.

(56) **References Cited**

U.S. PATENT DOCUMENTS

D346,858 S *	5/1994	Lee	D23/377
D384,737 S *	10/1997	Gee, II	D23/377
D396,530 S *	7/1998	Tai	D23/377
D477,068 S *	7/2003	Hsieh	D23/377
D514,689 S *	2/2006	Gajewski	D23/411
D542,905 S *	5/2007	Young	D23/377
D549,814 S *	8/2007	Gajewski	D23/377

D572,814 S *	7/2008	Bucher	D23/377
D576,265 S *	9/2008	Bucher	D23/377
D590,489 S *	4/2009	Bucher	D23/377
D595,400 S *	6/2009	Young	D23/377
D599,459 S *	9/2009	Hidalgo	D23/377
D599,461 S *	9/2009	Ertze	D23/377
D715,418 S *	10/2014	Schulzman	D23/377
D743,523 S *	11/2015	Ertze	D23/411
D744,629 S *	12/2015	Wang	D23/377
D750,215 S *	2/2016	Gajewski	D23/385
D804,641 S *	12/2017	McRoberts	D23/377
D807,491 S *	1/2018	Haggar	D23/377
2009/0129974 A1 *	5/2009	McEllen	A61L 9/205 422/24
2010/0314941 A1 *	12/2010	Schulzman	F04D 25/068 307/40
2015/0198180 A1 *	7/2015	Gajewski	F04D 25/088 416/247 R
2016/0319842 A1 *	11/2016	Botkin	F04D 25/088

* cited by examiner

Primary Examiner — Janice Hallmark

(74) *Attorney, Agent, or Firm* — Baker & McKenzie LLP

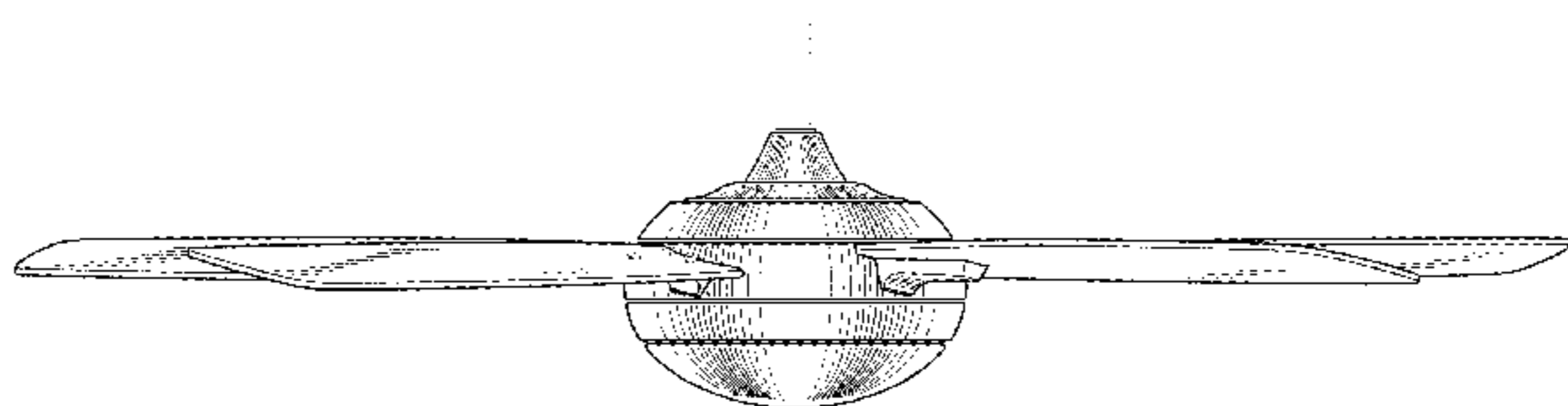
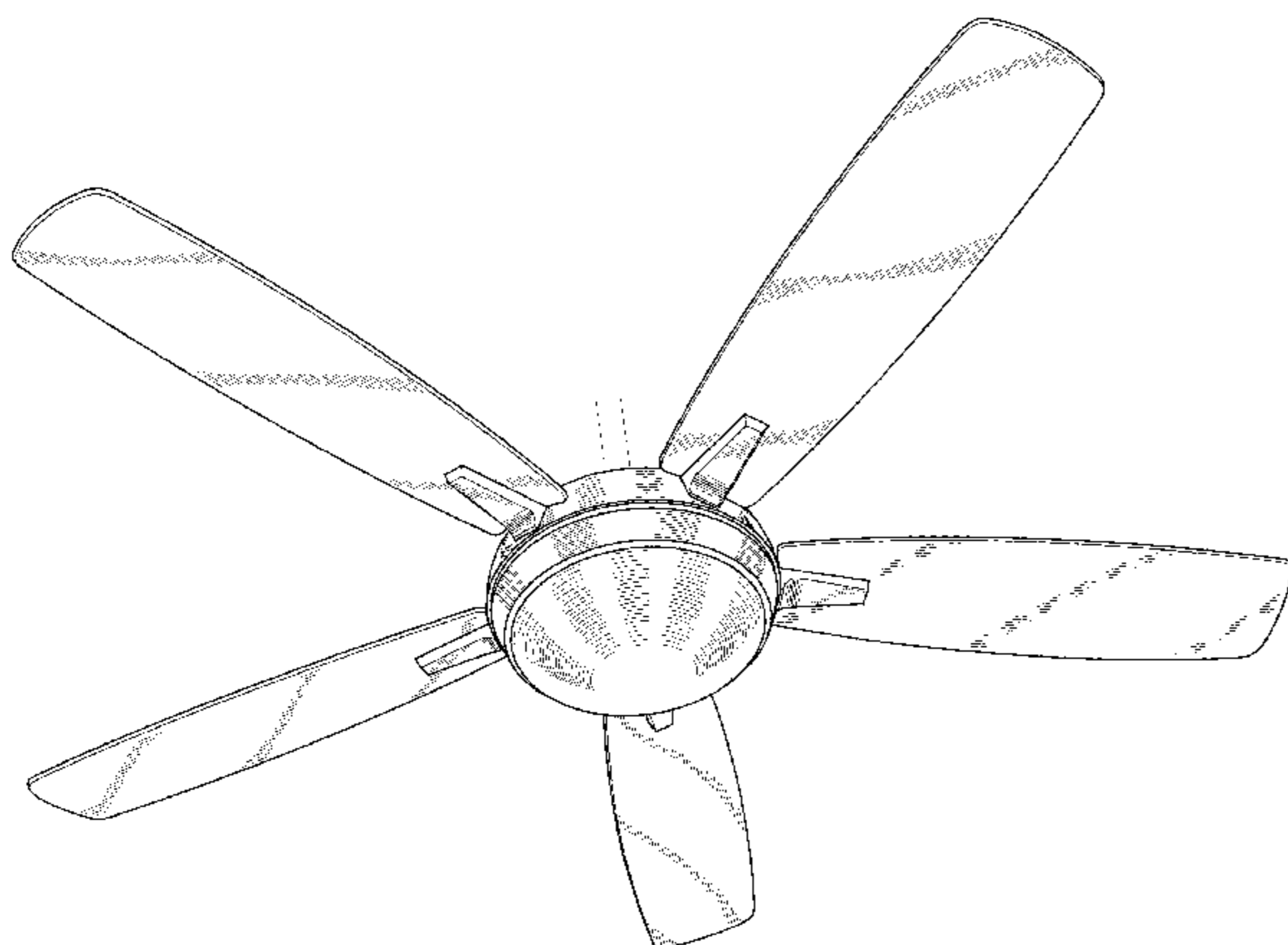
(57) **CLAIM**

The ornamental design for a combination ceiling fan and light fixture, as shown and described.

DESCRIPTION

FIG. 1 is a perspective view of a combination ceiling fan and light fixture in accordance with my design;
FIG. 2 is a top plan view thereof;
FIG. 3 is a bottom plan view thereof;
FIG. 4 is a front elevation view thereof;
FIG. 5 is a rear elevation view thereof;
FIG. 6 is a right-side elevation view thereof; and,
FIG. 7 is left-side elevation view thereof.
The broken lines in the drawings illustrate portions of the ceiling fan that form no part of the claimed design.

1 Claim, 5 Drawing Sheets



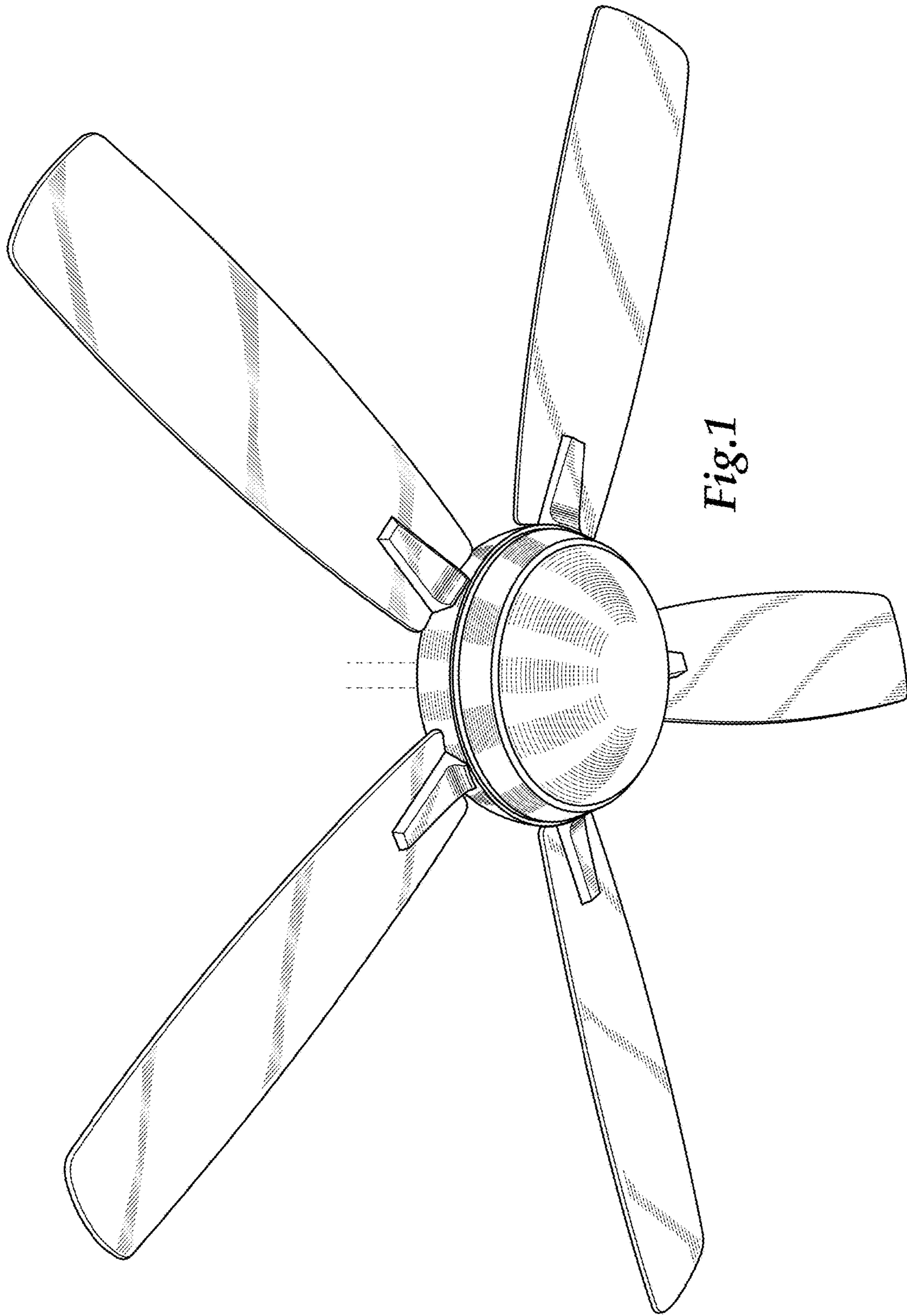


Fig. 1

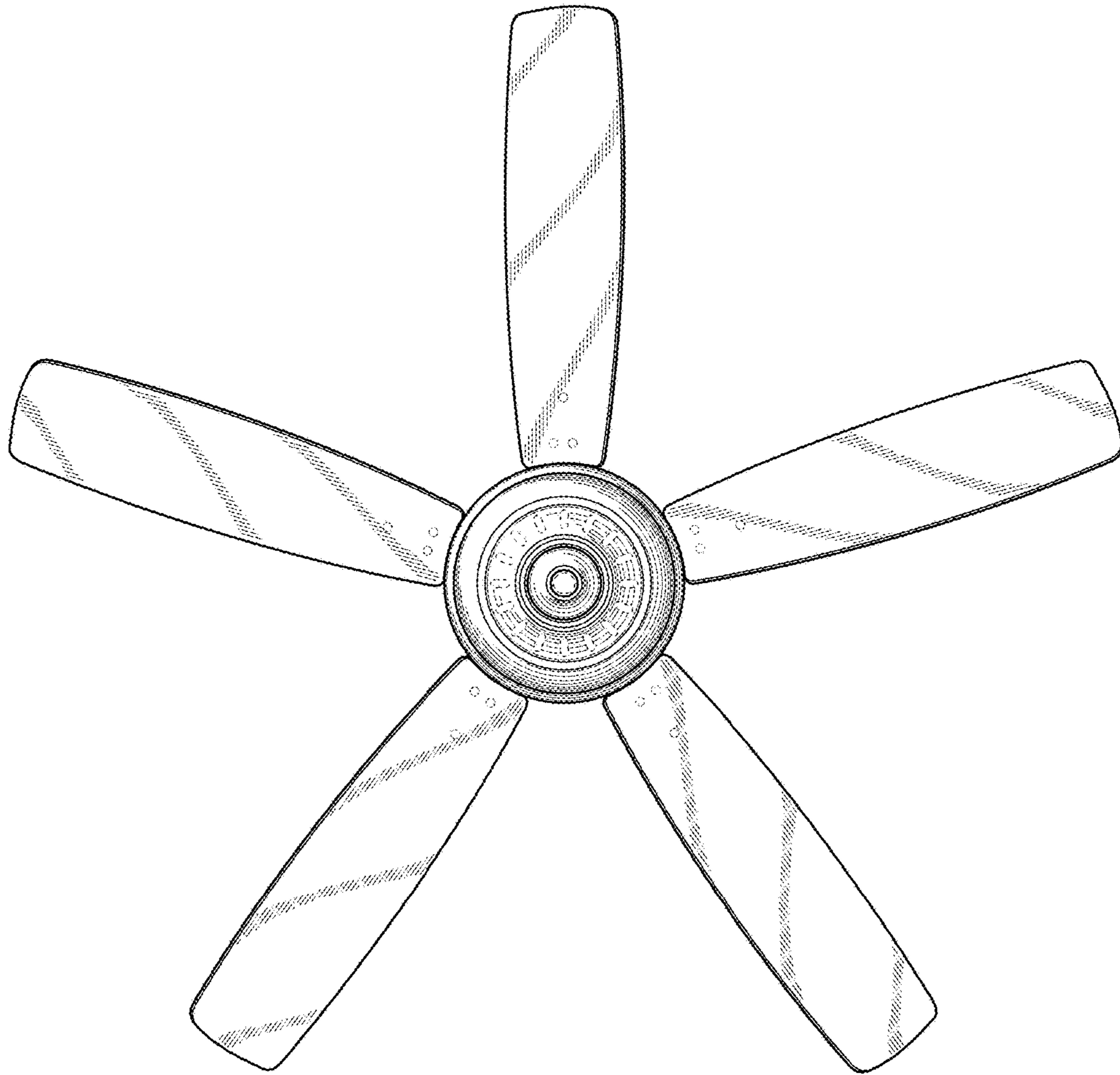


Fig.2

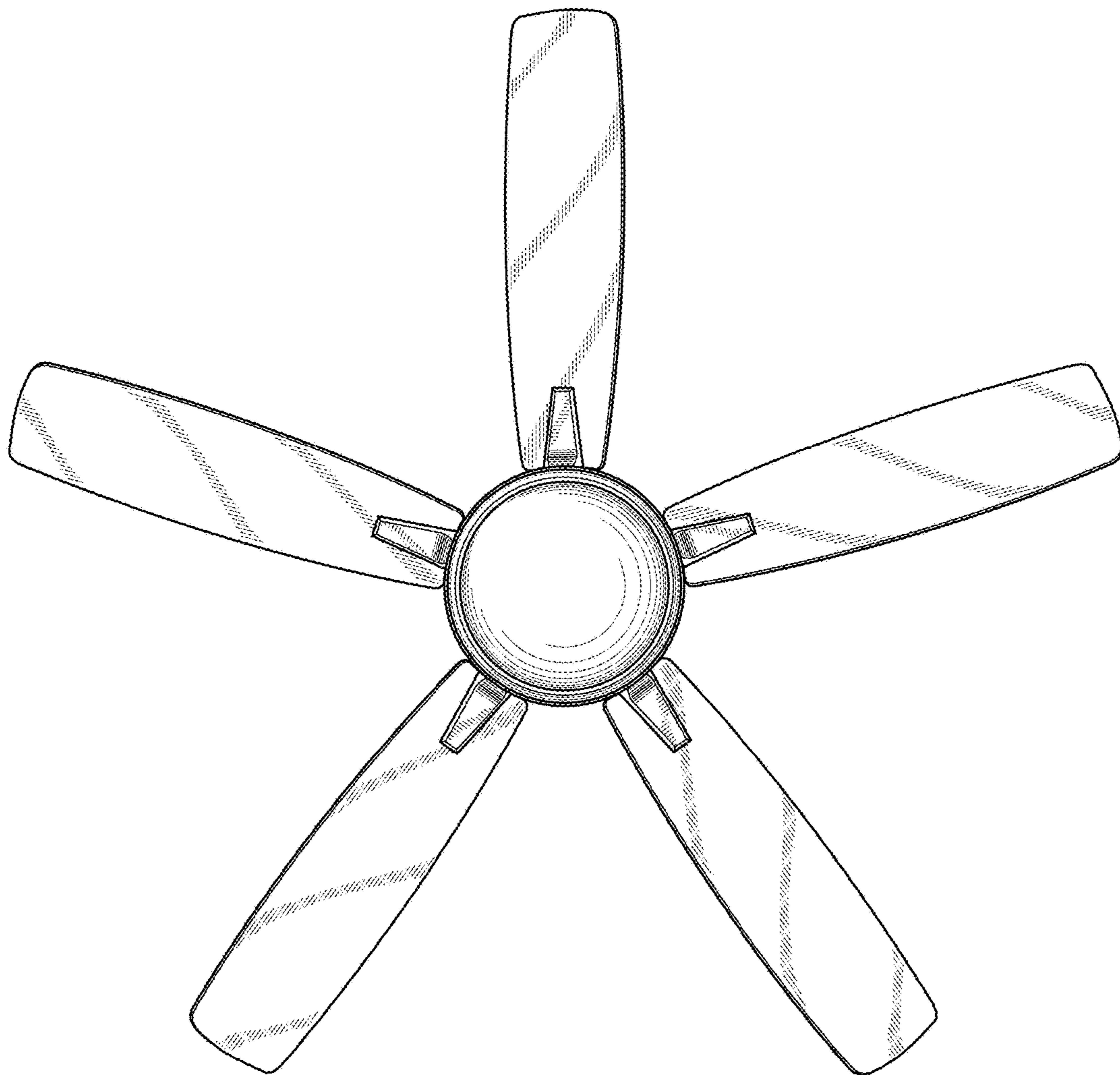


Fig.3

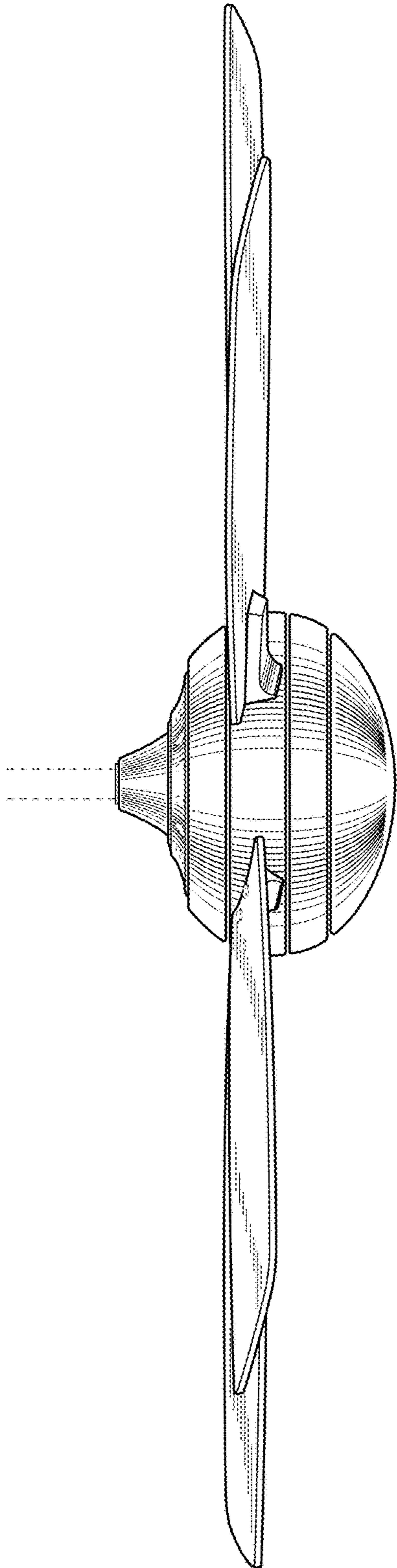


Fig. 4

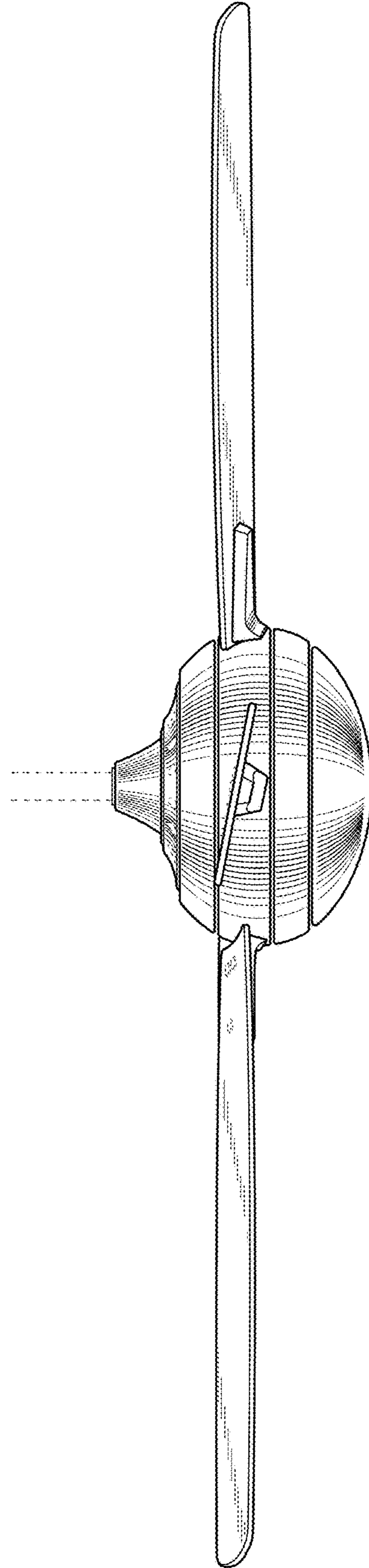


Fig. 5

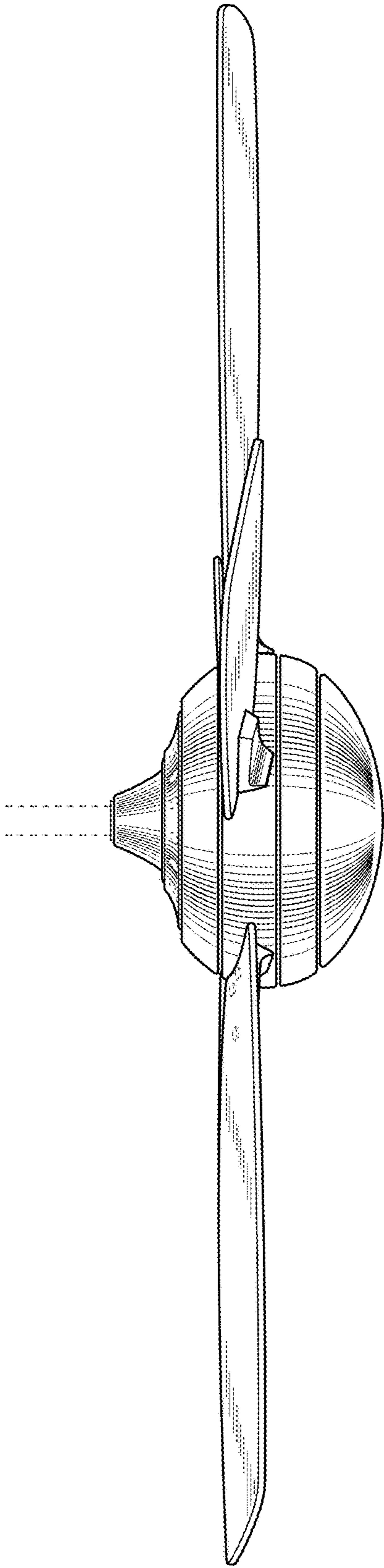


Fig. 6

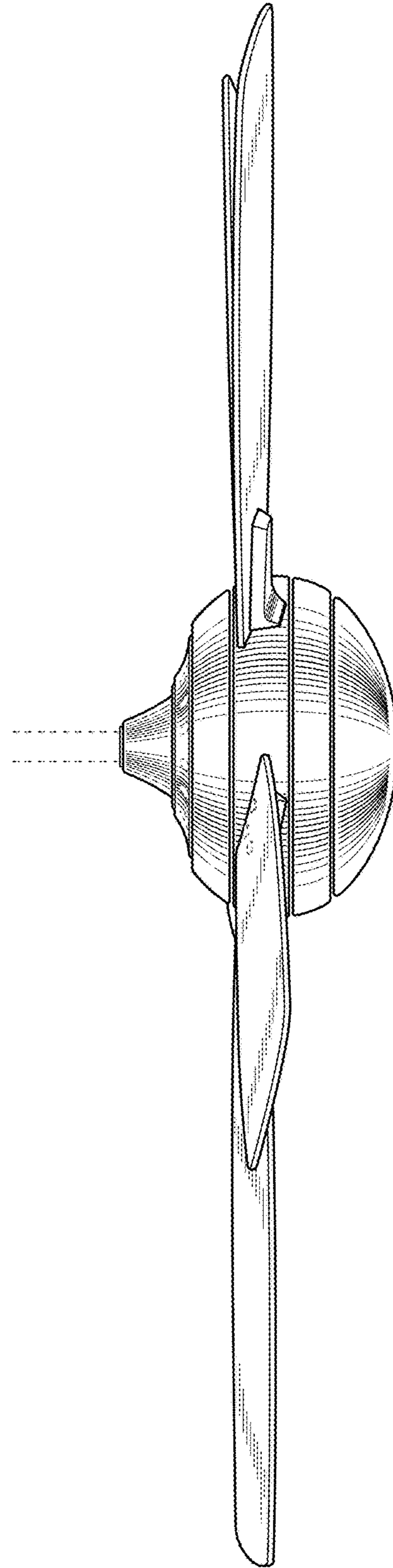


Fig. 7