



US00D833594S

(12) **United States Design Patent**  
**Wang**

(10) **Patent No.:** **US D833,594 S**

(45) **Date of Patent:** **\*\* Nov. 13, 2018**

(54) **CEILING FAN**

(71) Applicant: **AIR COOL INDUSTRIAL CO., LTD.**, Taichung (TW)

(72) Inventor: **Cliff Wang**, Taichung (TW)

(73) Assignee: **AIR COOL INDUSTRIAL CO., LTD.**, Taichung (TW)

(\*\*) Term: **15 Years**

(21) Appl. No.: **29/608,434**

(22) Filed: **Jun. 21, 2017**

(51) **LOC (11) Cl.** ..... **23-04**

(52) **U.S. Cl.**  
USPC ..... **D23/377**

(58) **Field of Classification Search**  
USPC ..... D23/370, 377, 379, 385, 411; D26/59  
CPC ..... F04D 25/088; F21V 33/0096  
See application file for complete search history.

(56) **References Cited**

**U.S. PATENT DOCUMENTS**

D594,542 S \* 6/2009 Pan ..... D23/377  
D794,768 S \* 8/2017 Wang ..... D23/377

D795,411 S \* 8/2017 Wang ..... D23/377  
D799,665 S \* 10/2017 Wang ..... D23/377  
D799,668 S \* 10/2017 Wang ..... D23/377  
D801,515 S \* 10/2017 Wang ..... D23/411  
D804,629 S \* 12/2017 McRoberts ..... D23/377  
D804,630 S \* 12/2017 Holmes ..... D23/377  
D804,639 S \* 12/2017 Guthrie ..... D23/377  
D805,625 S \* 12/2017 Haggar ..... D23/377

\* cited by examiner

*Primary Examiner* — Janice Hallmark

(74) *Attorney, Agent, or Firm* — Chao-Chang David Pai

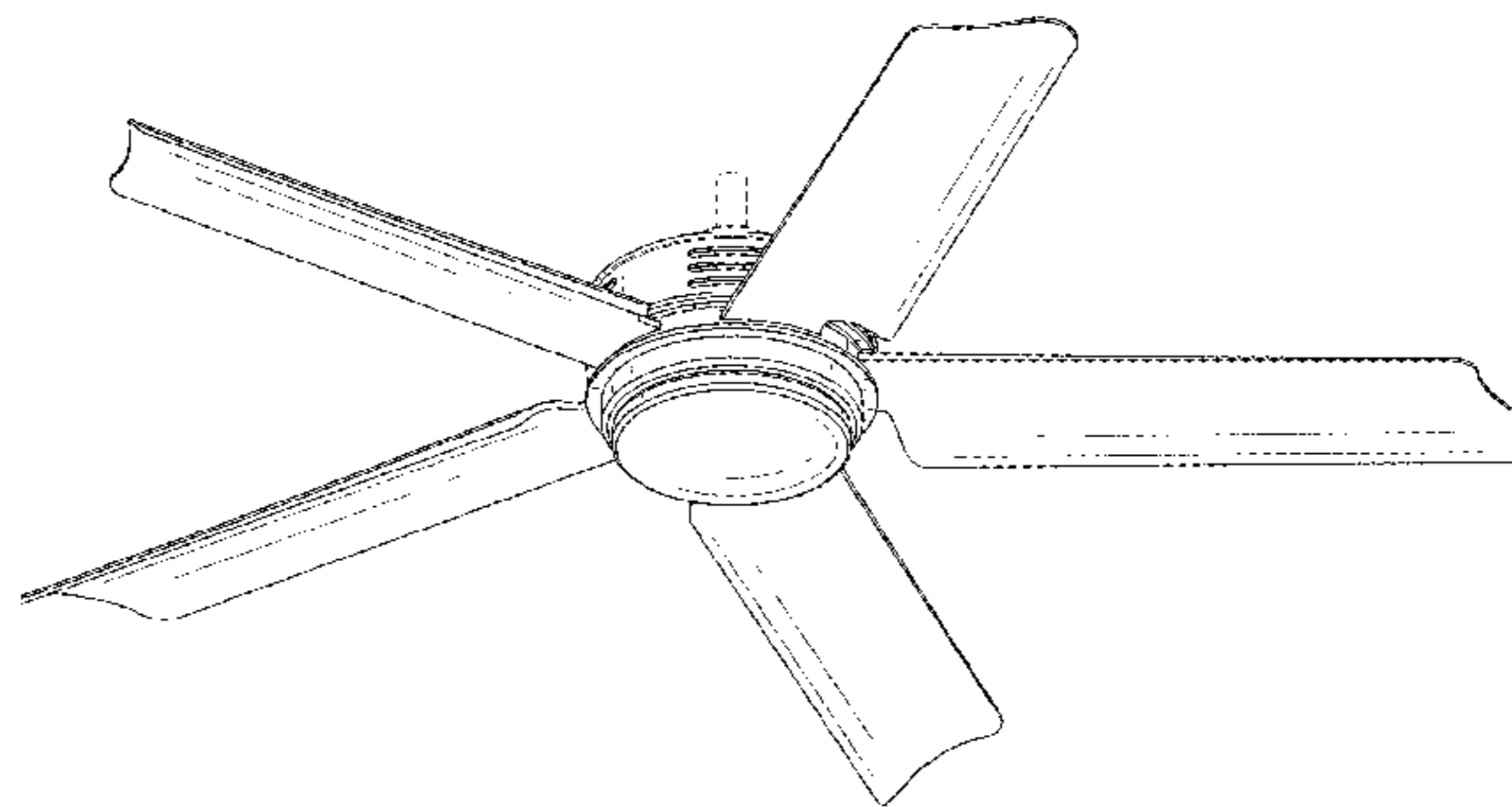
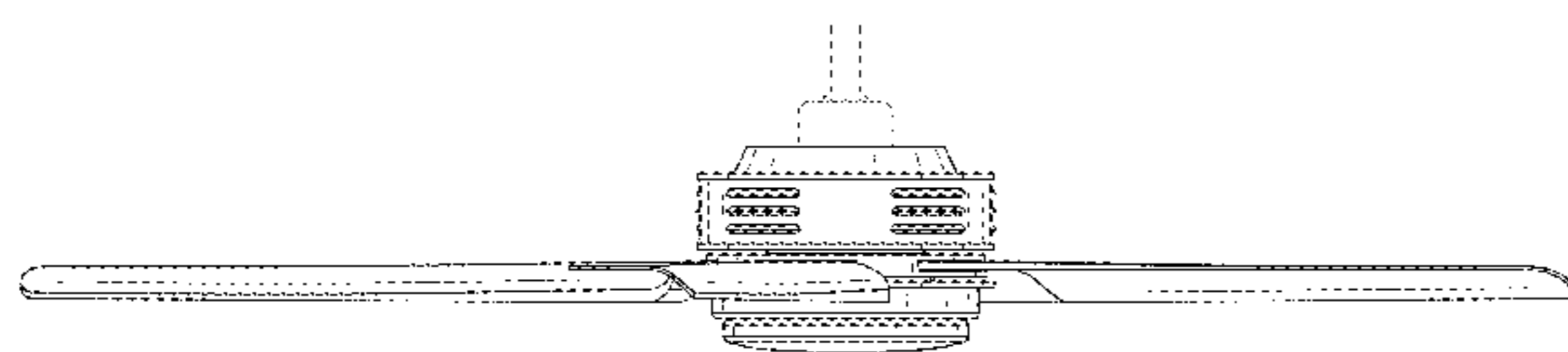
(57) **CLAIM**

The ornamental design for a ceiling fan, as shown and described.

**DESCRIPTION**

FIG. 1 is a front top perspective view of a ceiling fan showing my new design;  
FIG. 2 is a front elevational view thereof;  
FIG. 3 is a rear elevational view thereof;  
FIG. 4 is a left side elevational view thereof;  
FIG. 5 is a right side elevational view thereof;  
FIG. 6 is a top plan view thereof;  
FIG. 7 is a bottom plan view thereof; and,  
FIG. 8 is a front bottom perspective view thereof.  
The broken lines are for the purpose of illustrating environmental structure and form no part of the claimed design.

**1 Claim, 6 Drawing Sheets**



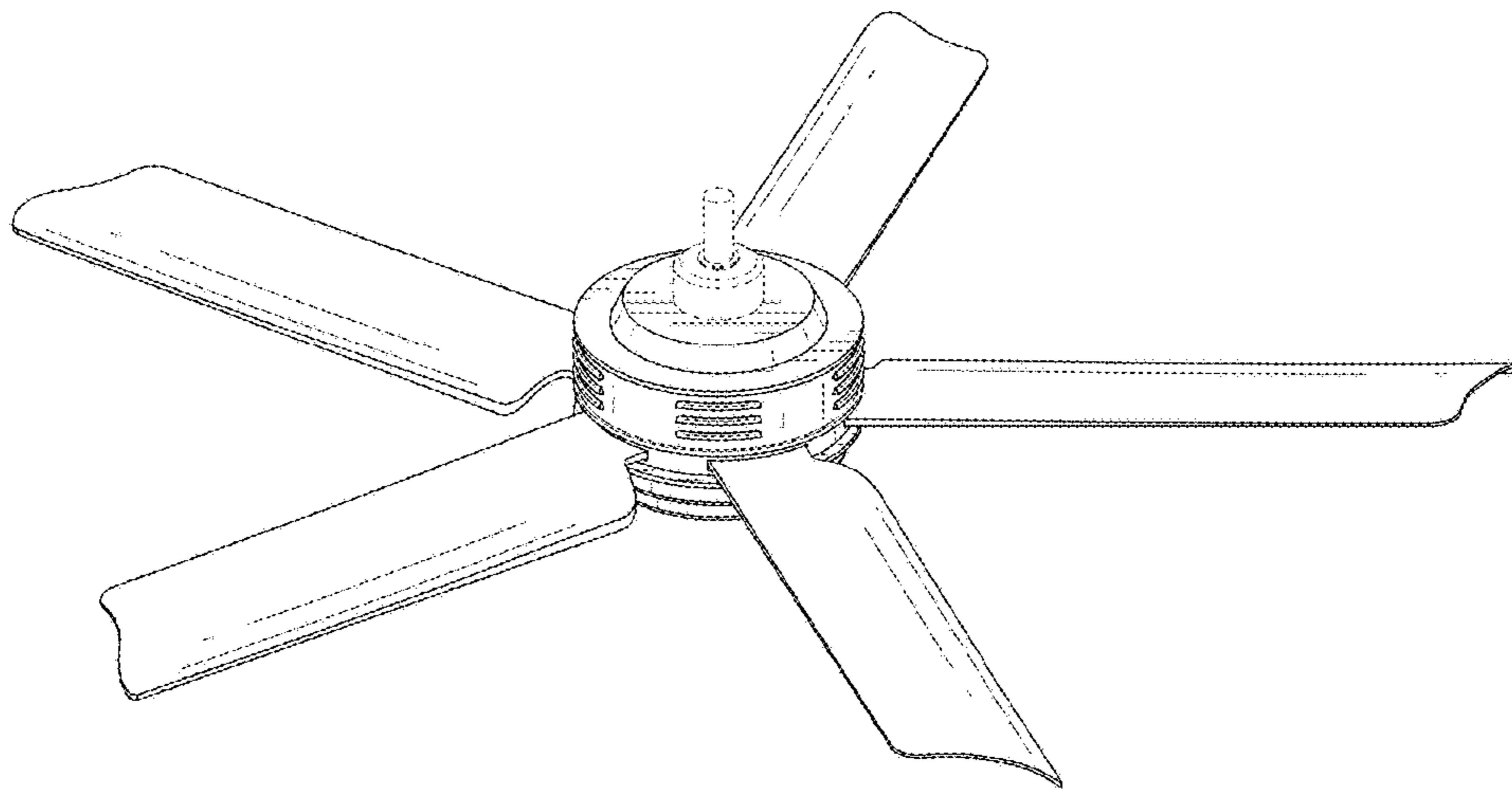


FIG. 1

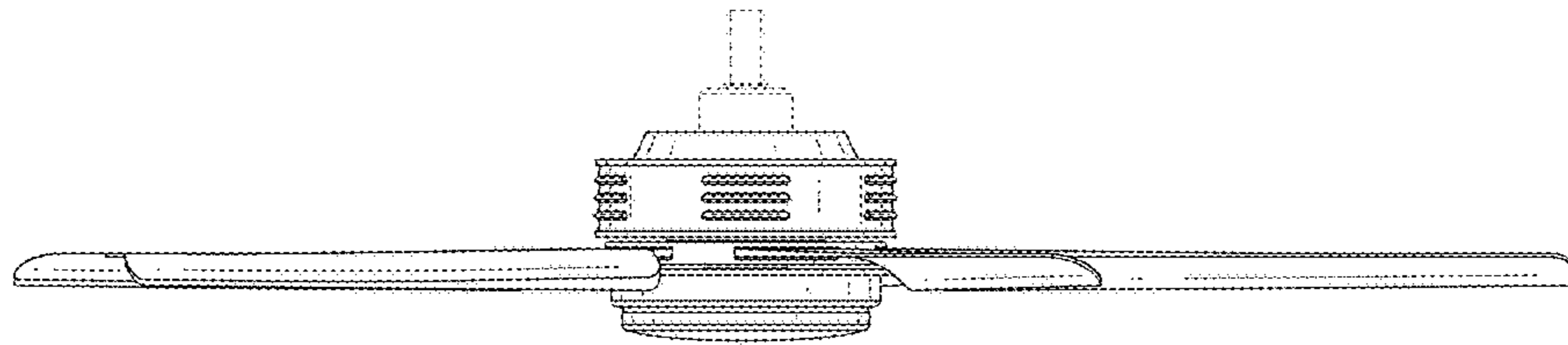


FIG. 2

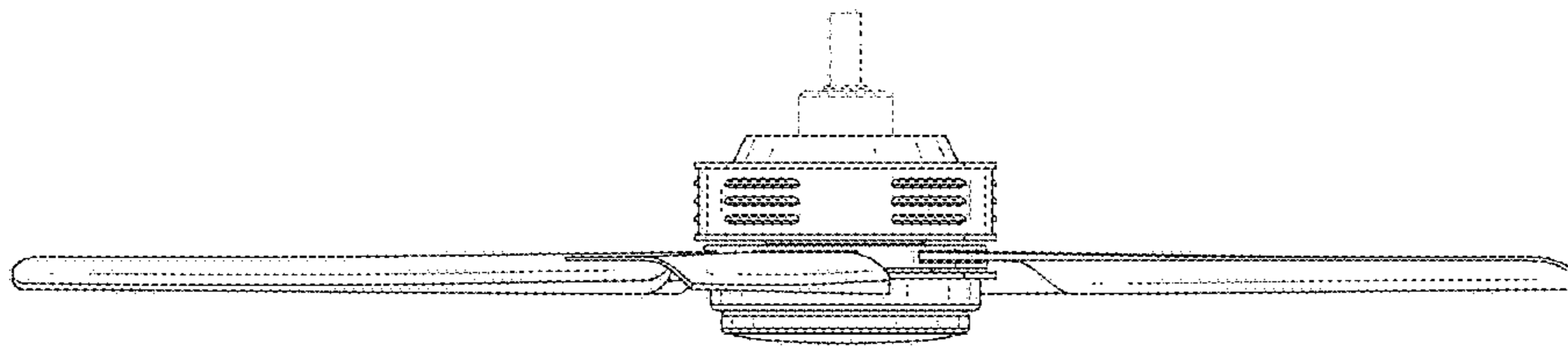


FIG. 3

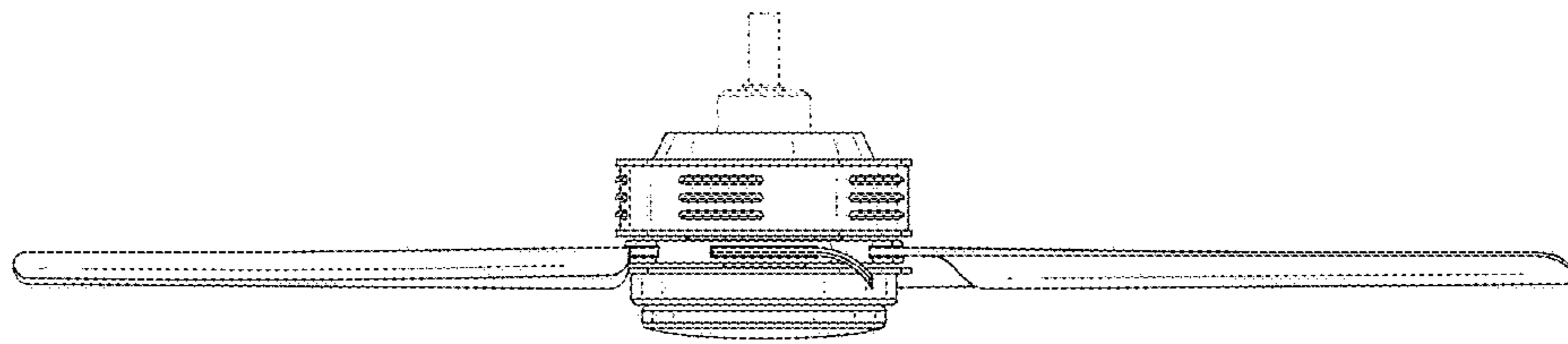


FIG. 4

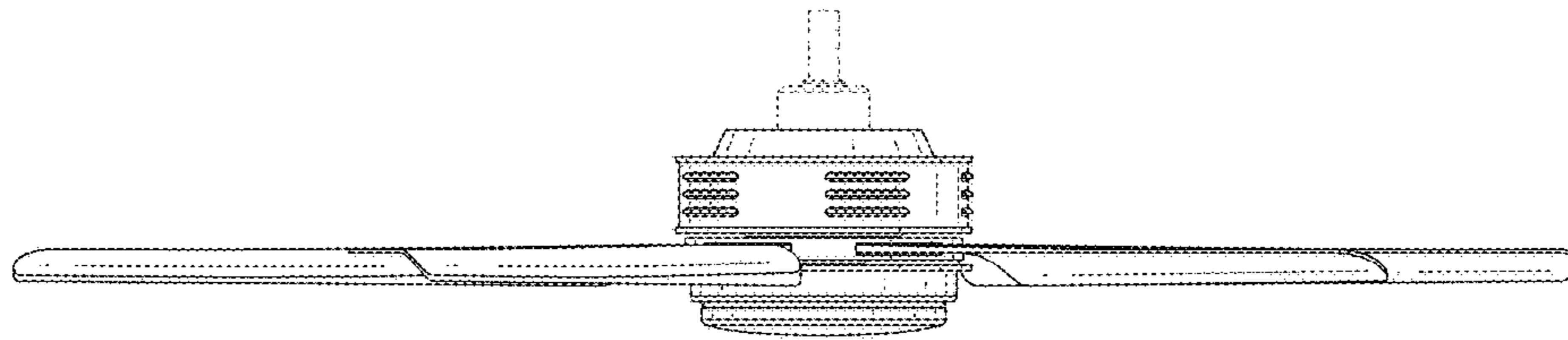


FIG. 5

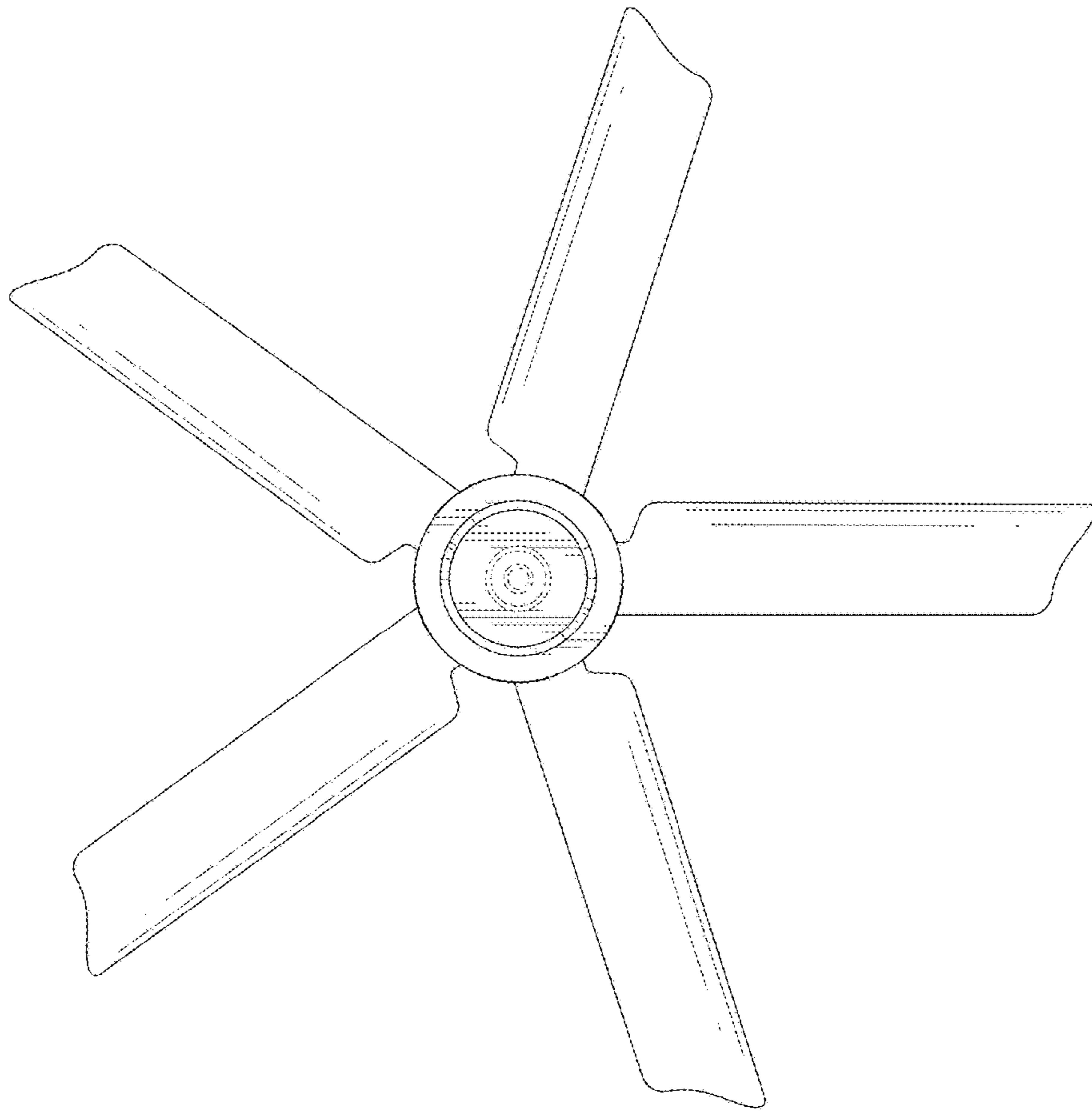


FIG. 6

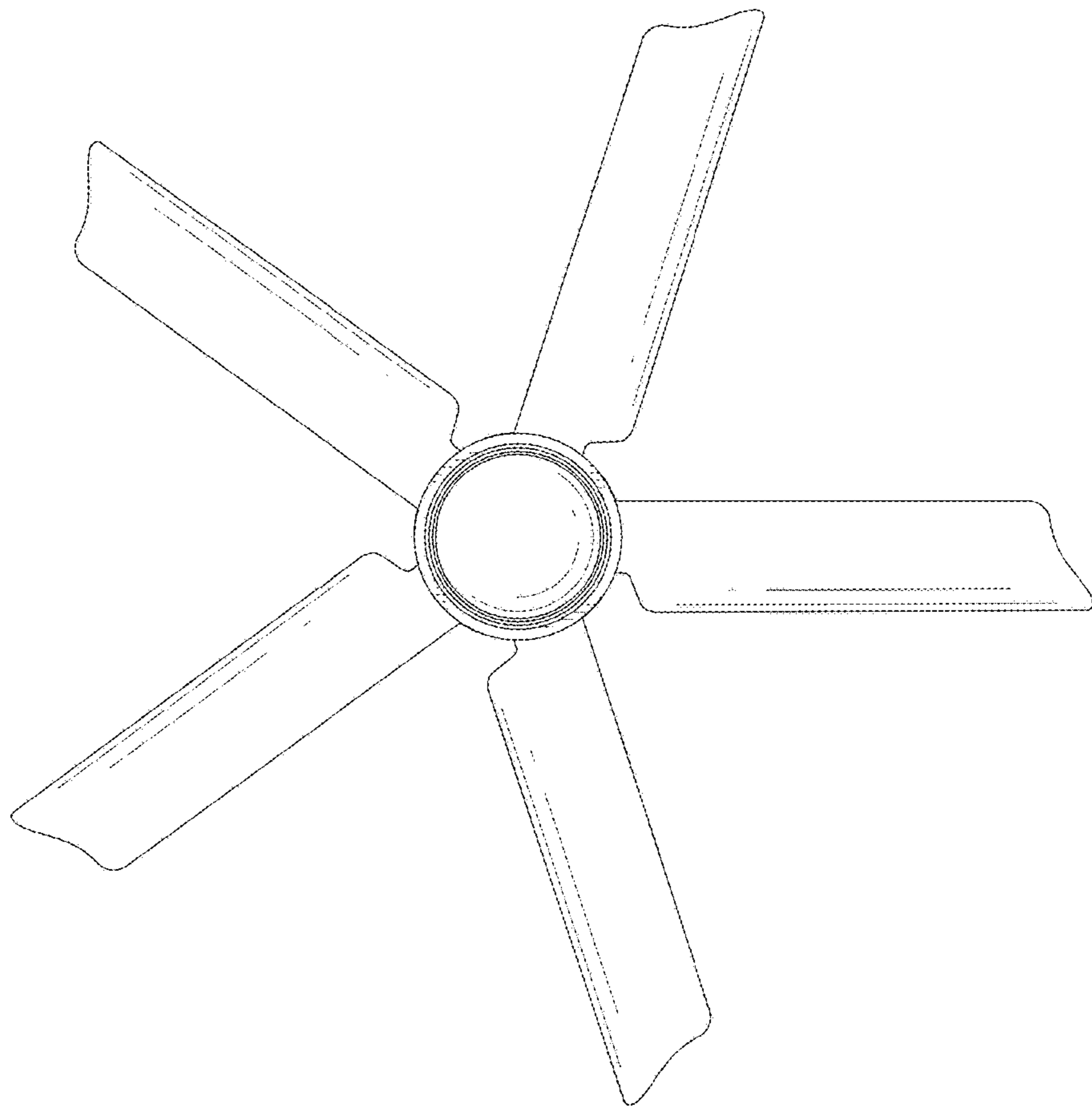


FIG. 7

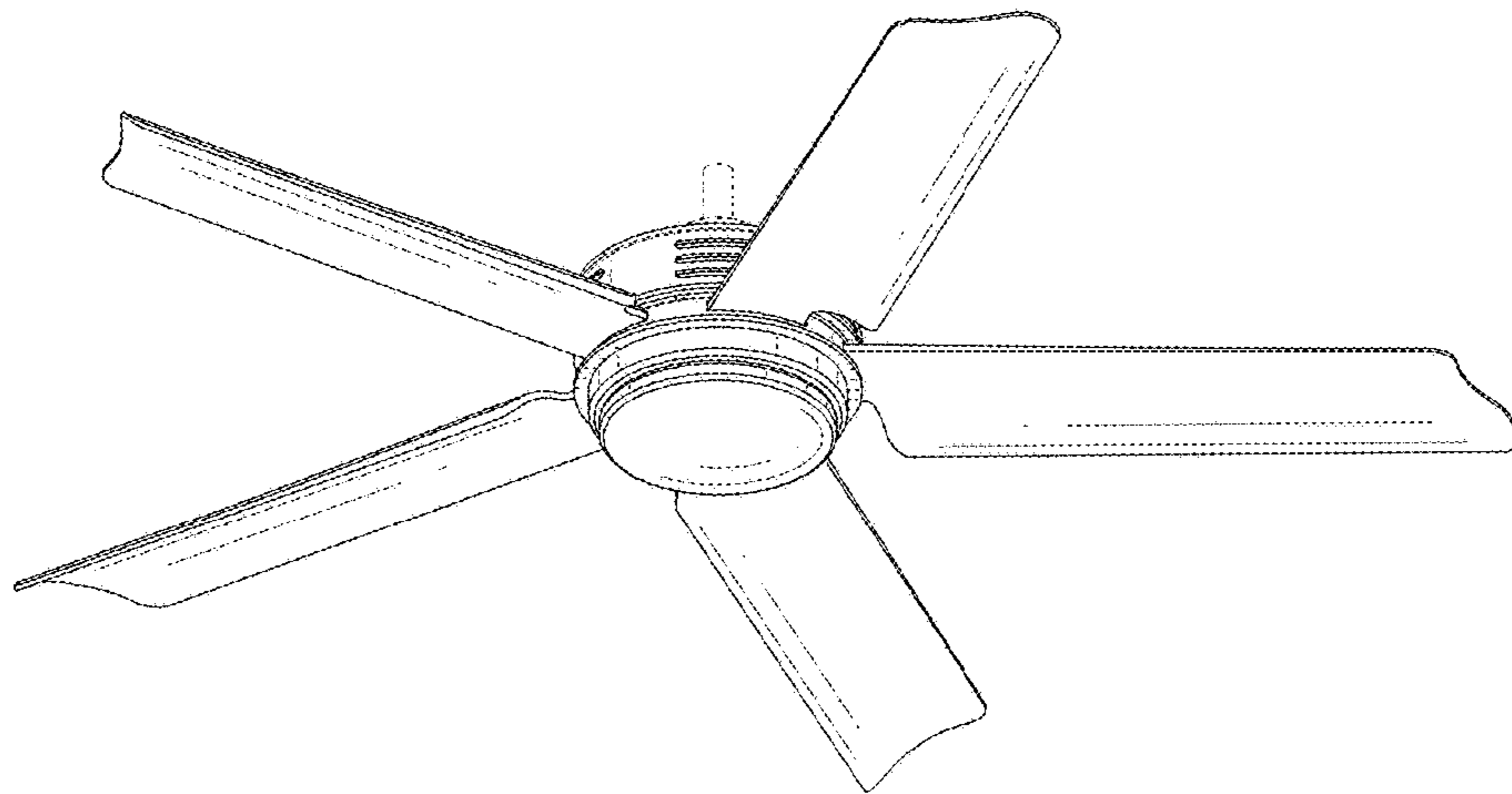


FIG. 8