



US00D833591S

(12) **United States Design Patent**
Zhu et al.

(10) **Patent No.:** **US D833,591 S**
(45) **Date of Patent:** **** Nov. 13, 2018**

- (54) **HEATER WITH USB CHARGER**
- (71) Applicant: **NINGBO KML ELECTRICAL CO., LTD.**, Ningbo (CN)
- (72) Inventors: **Yuan Zhu**, Ningbo (CN); **Mengfei Fu**, Ningbo (CN); **Haiping Zhu**, Ningbo (CN)
- (73) Assignee: **NINGBO KML ELECTRICAL CO., LTD.**, Ningbo (CN)
- (**) Term: **15 Years**
- (21) Appl. No.: **29/562,672**
- (22) Filed: **Apr. 27, 2016**
- (30) **Foreign Application Priority Data**

Mar. 4, 2016 (CN) 2016 3 0060487

- (51) **LOC (11) Cl.** **23-03**
- (52) **U.S. Cl.**
USPC **D23/332**
- (58) **Field of Classification Search**
USPC D23/314, 317, 329, 330, 331, 332, 334,
D23/335, 336, 337, 338, 339, 340, 342,
D23/352, 351, 355, 356, 357, 359, 360,
D23/361, 362, 364, 366, 370, 396, 378,
D23/381, 382, 385
CPC . F04D 5/00; F04D 25/10; F04D 25/08; F04D
17/04; F24H 3/00; F24H 3/0411; F24H
3/0417; F24H 9/02
See application file for complete search history.

(56) **References Cited**
U.S. PATENT DOCUMENTS

- D255,486 S * 6/1980 Bender D23/355
- D319,498 S * 8/1991 Huang D23/335
- D323,382 S * 1/1992 Wang D23/335
- D567,346 S * 4/2008 Lin D23/317

- D600,336 S * 9/2009 Lin D23/317
- D614,274 S * 4/2010 Lin D23/317
- D617,436 S * 6/2010 Chen D23/364
- D622,834 S * 8/2010 Jiang D23/317
- D654,158 S * 2/2012 Chen D23/317
- D654,159 S * 2/2012 Chen D23/317
- 8,247,742 B2 * 8/2012 Searle F24H 3/0411
219/408
- D680,636 S * 4/2013 Ching D23/356
- 8,886,024 B2 * 11/2014 Tyburk F24F 13/20
392/347

(Continued)

Primary Examiner — T Chase Nelson
Assistant Examiner — Ania Aman
(74) *Attorney, Agent, or Firm* — Loza & Loza, LLP;
Heidi L. Eisenhut

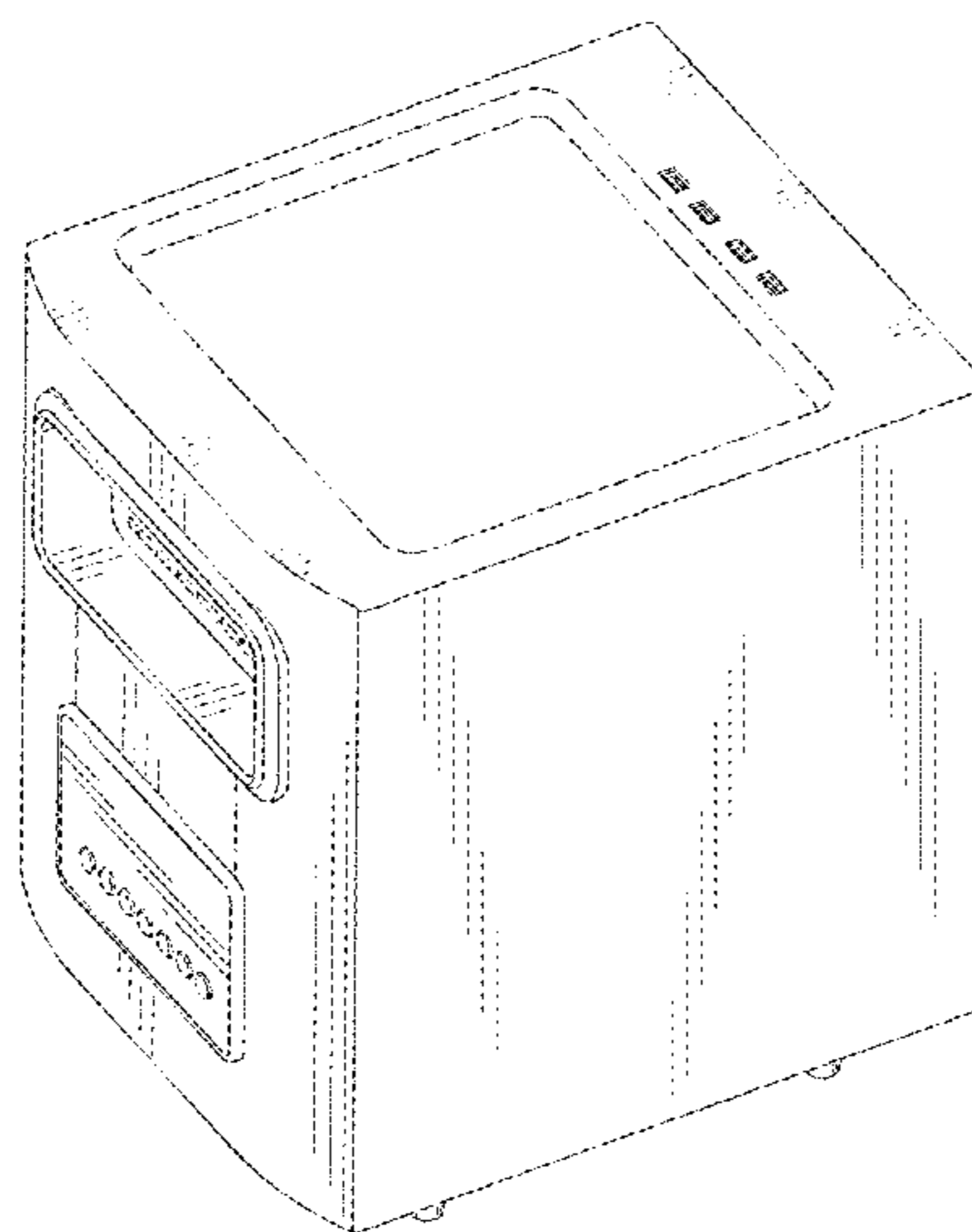
(57) **CLAIM**

The ornamental design for a heater with USB charger, as shown and described.

DESCRIPTION

FIG. 1 is a front view of a heater with USB charger, according to the present invention;
FIG. 2 is a rear view of the heater with USB charger of FIG. 1;
FIG. 3 is a top view of the heater with USB charger of FIG. 1;
FIG. 4 is a bottom view of the heater with USB charger of FIG. 1;
FIG. 5 is a left side view of the heater with USB charger of FIG. 1;
FIG. 6 is a right side view of the heater with USB charger of FIG. 1;
FIG. 7 is a front right perspective view of the heater with USB charger of FIG. 1; and,
FIG. 8 is an environmental view front view of the heater with USB charger of FIG. 1.
The items shown in phantom lines are for illustrative purposes only and form no part of the subject invention.

1 Claim, 8 Drawing Sheets



(56)

References Cited

U.S. PATENT DOCUMENTS

2006/0110141 A1* 5/2006 Burkett F24H 3/0405
392/375
2009/0095819 A1* 4/2009 Brown F24H 3/0417
237/81
2009/0096118 A1* 4/2009 Brown F24F 6/04
261/128
2010/0254686 A1* 10/2010 Tyburk F24H 3/0417
392/373
2011/0026907 A1* 2/2011 Lin F24H 3/002
392/347
2011/0100971 A1* 5/2011 Searle F24H 3/0411
219/210
2012/0308214 A1* 12/2012 Tyburk F24F 13/20
392/407
2015/0139629 A1* 5/2015 Crowe F24H 9/02
392/373
2015/0276269 A1* 10/2015 Paolini F24H 9/2071
392/365
2017/0363320 A1* 12/2017 Crowe H05B 3/008

* cited by examiner

FIG. 1

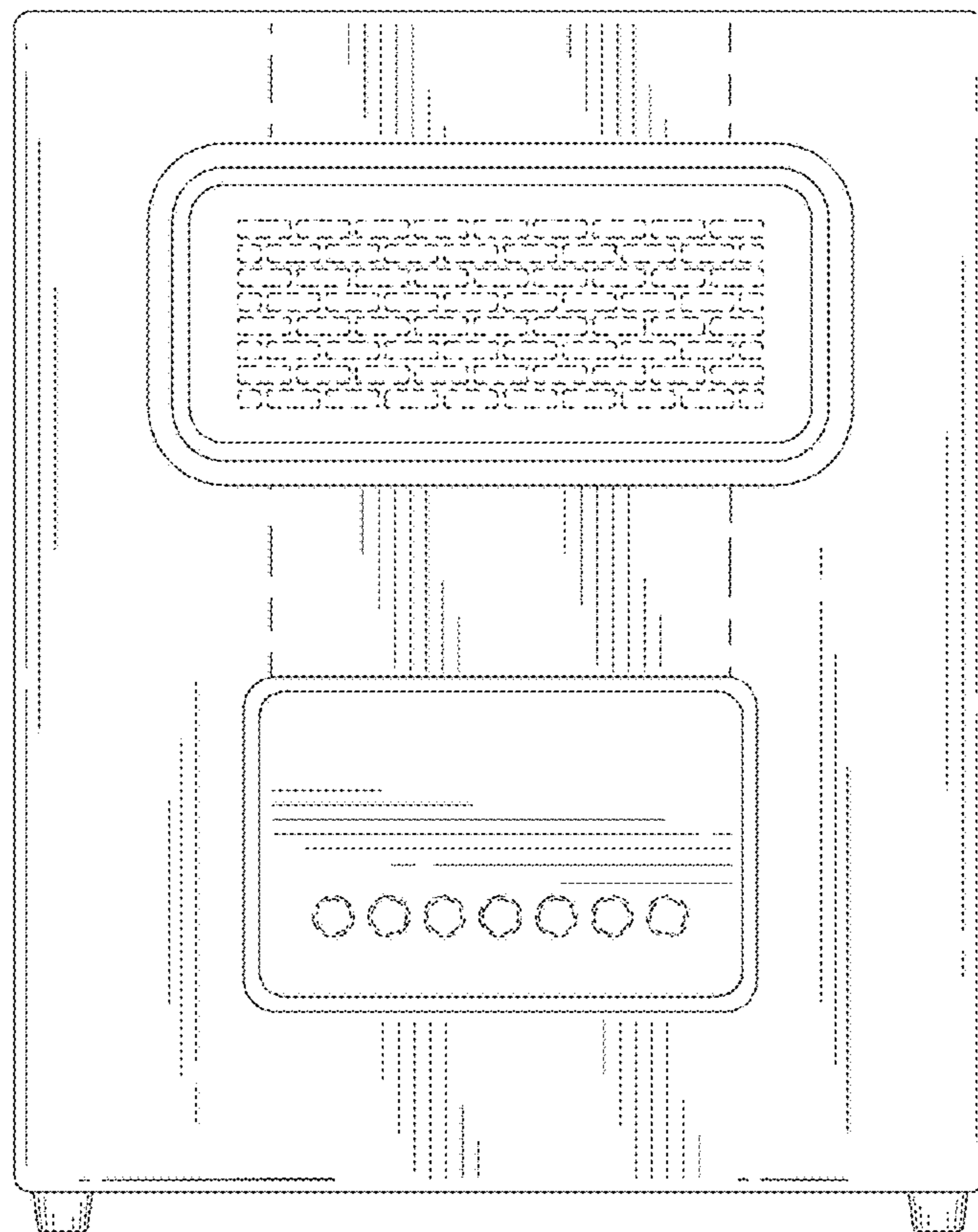


FIG. 2

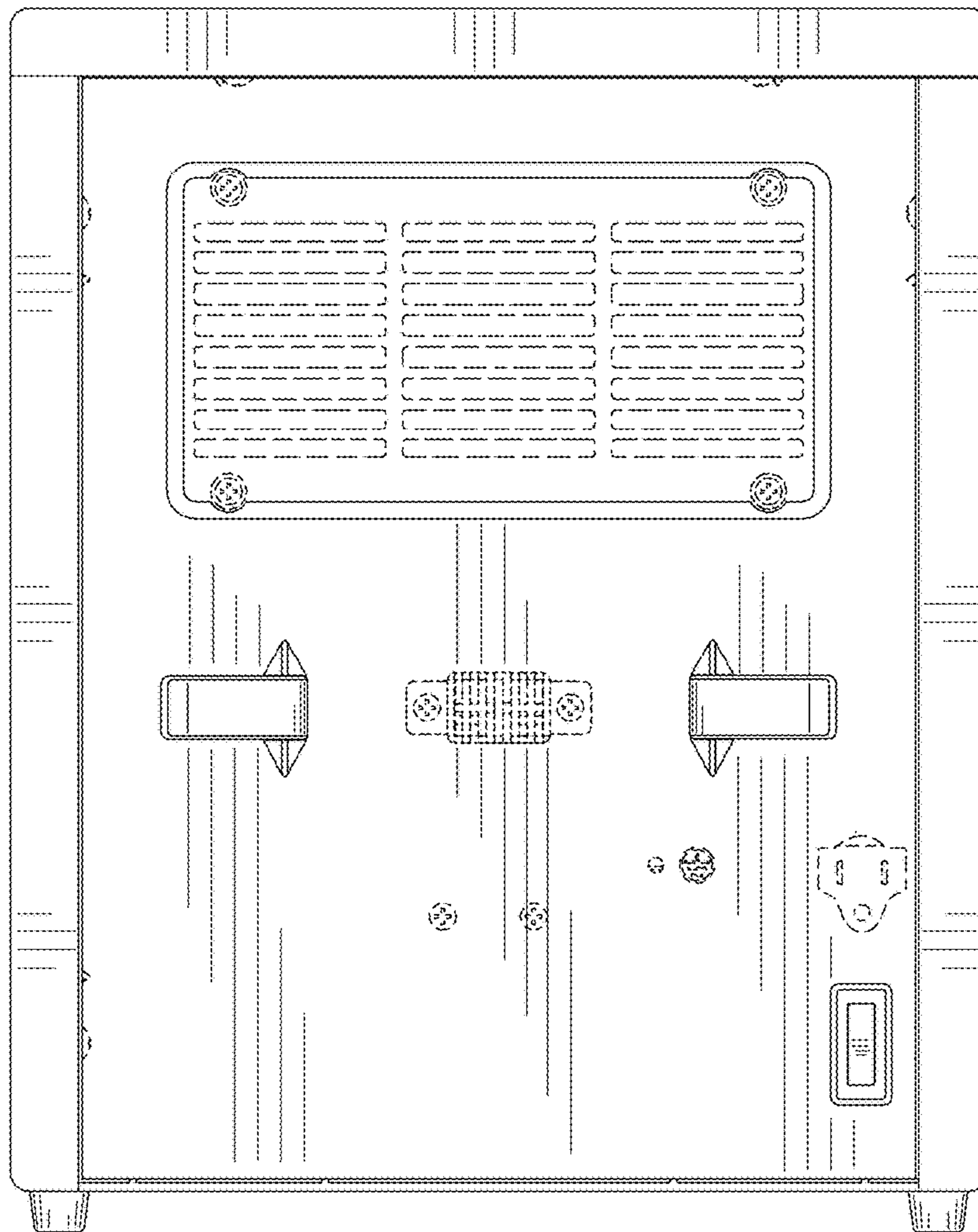


FIG. 3

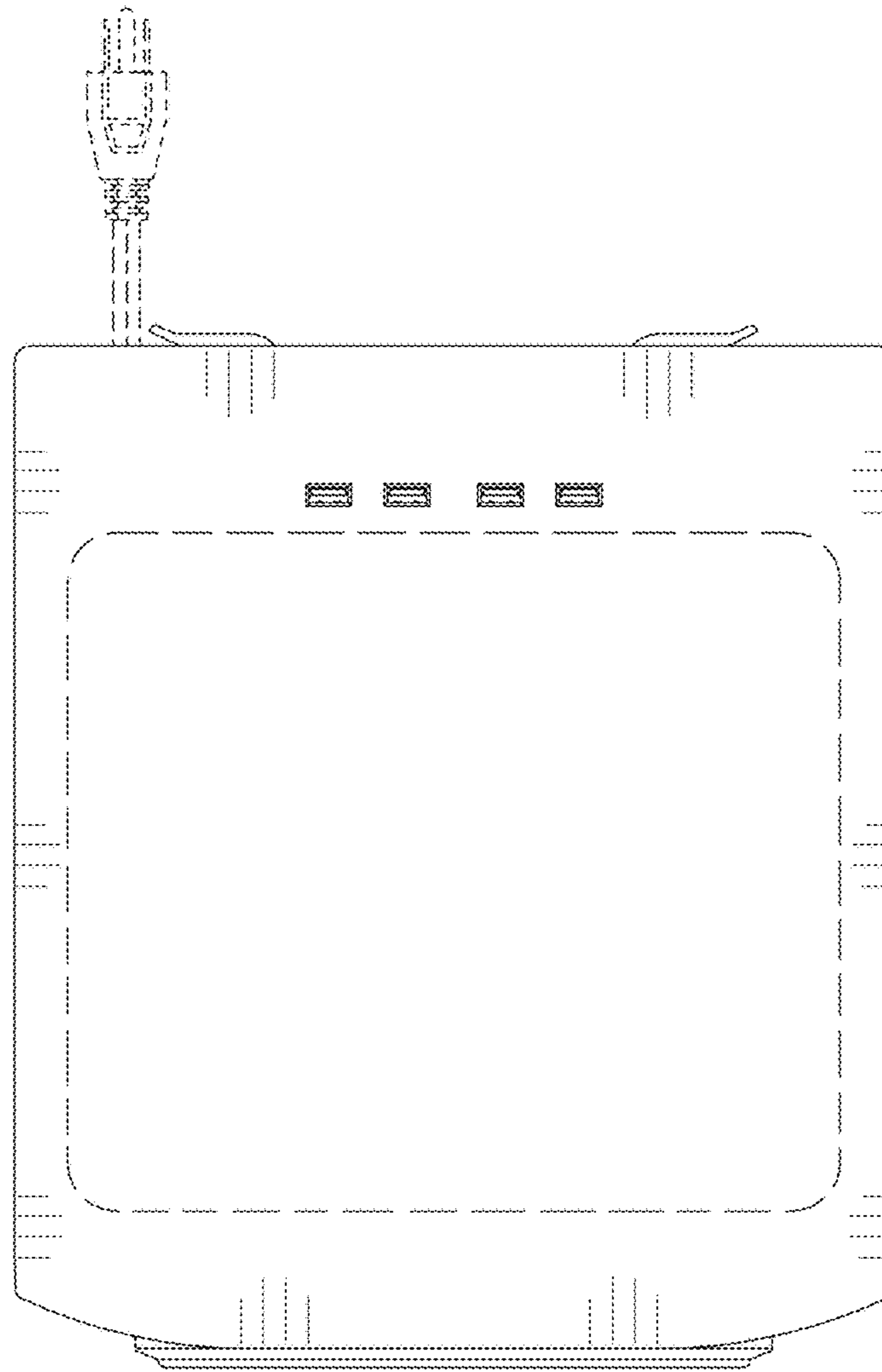


FIG. 4

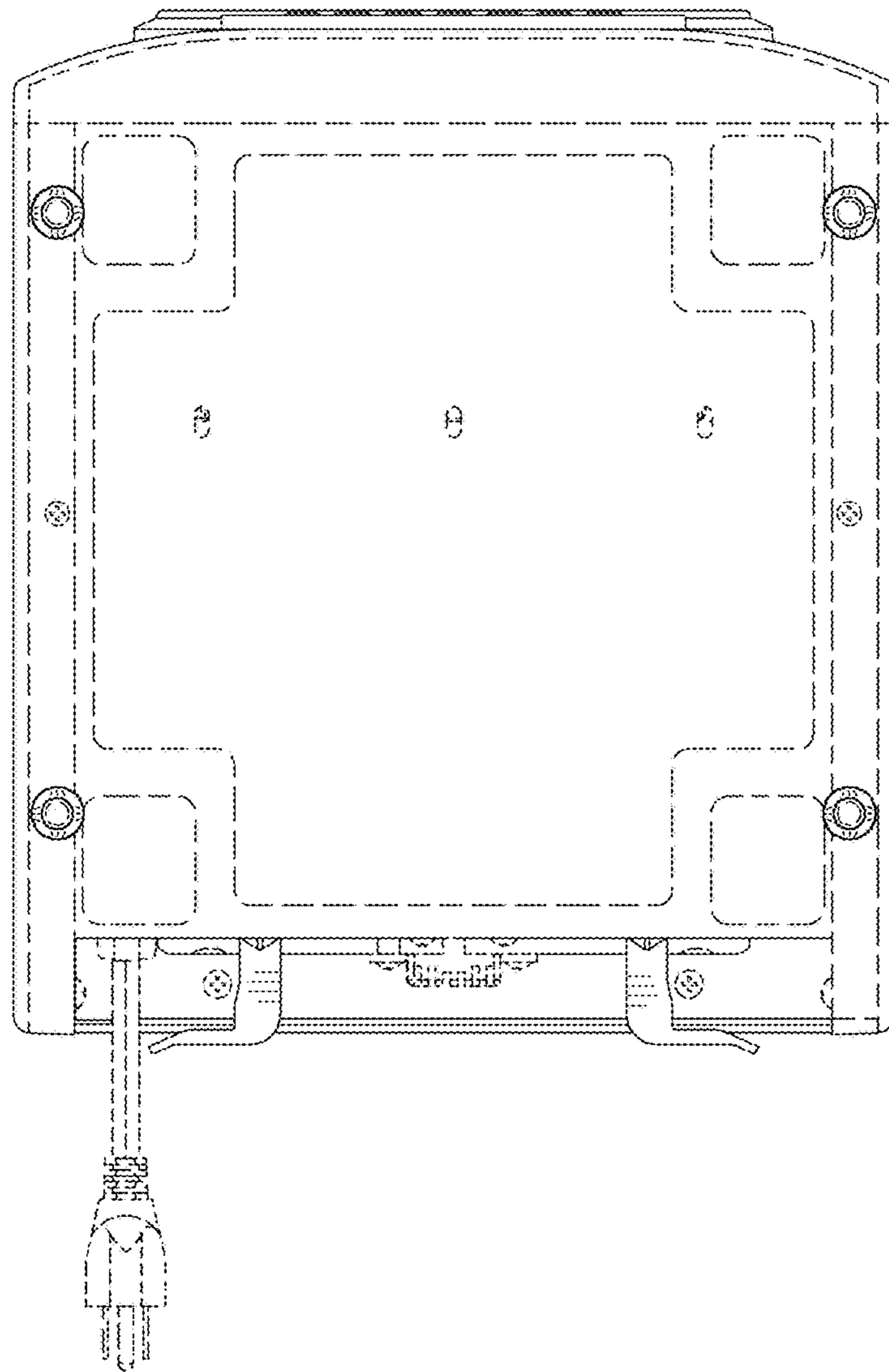


FIG. 5

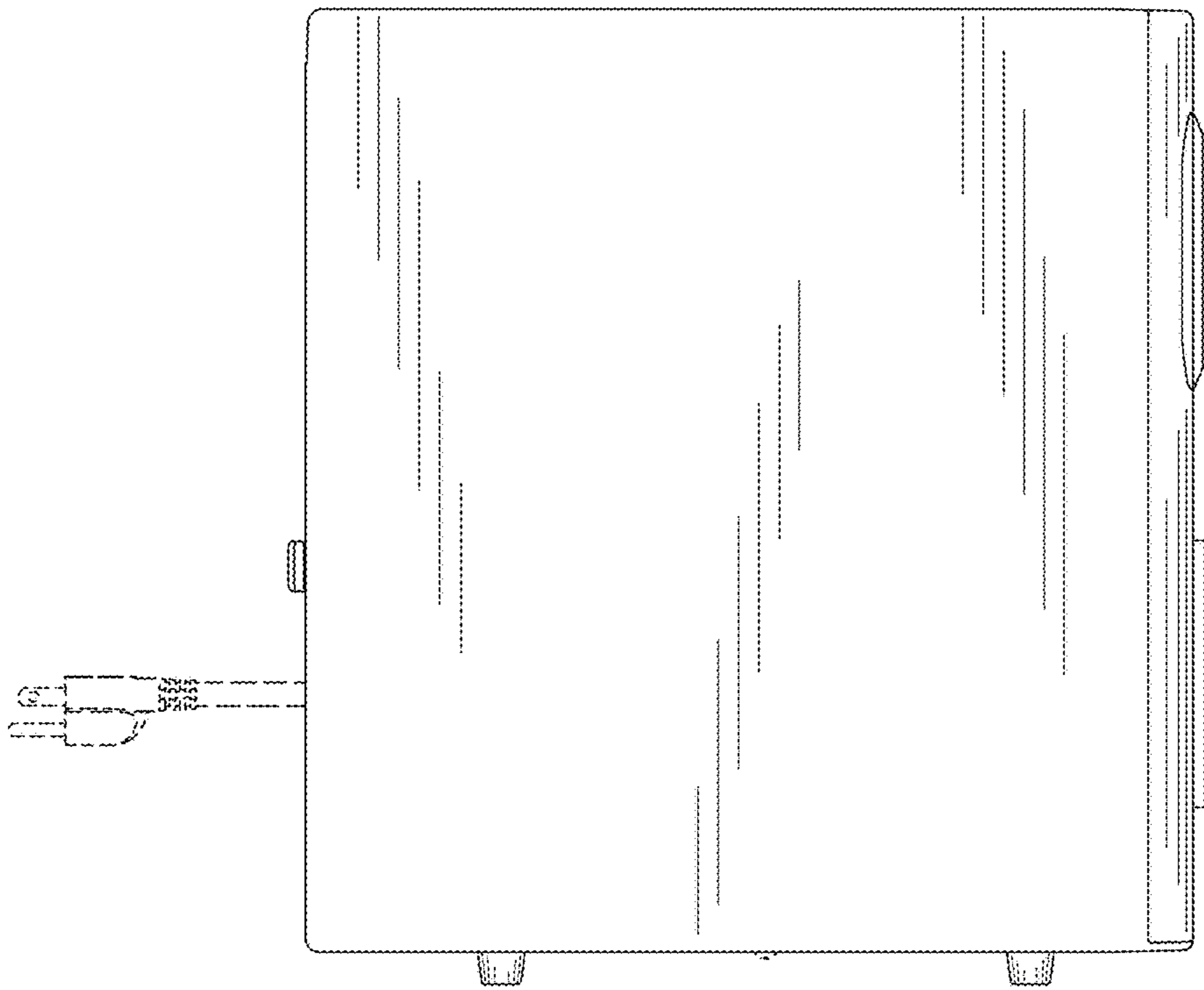


FIG. 6

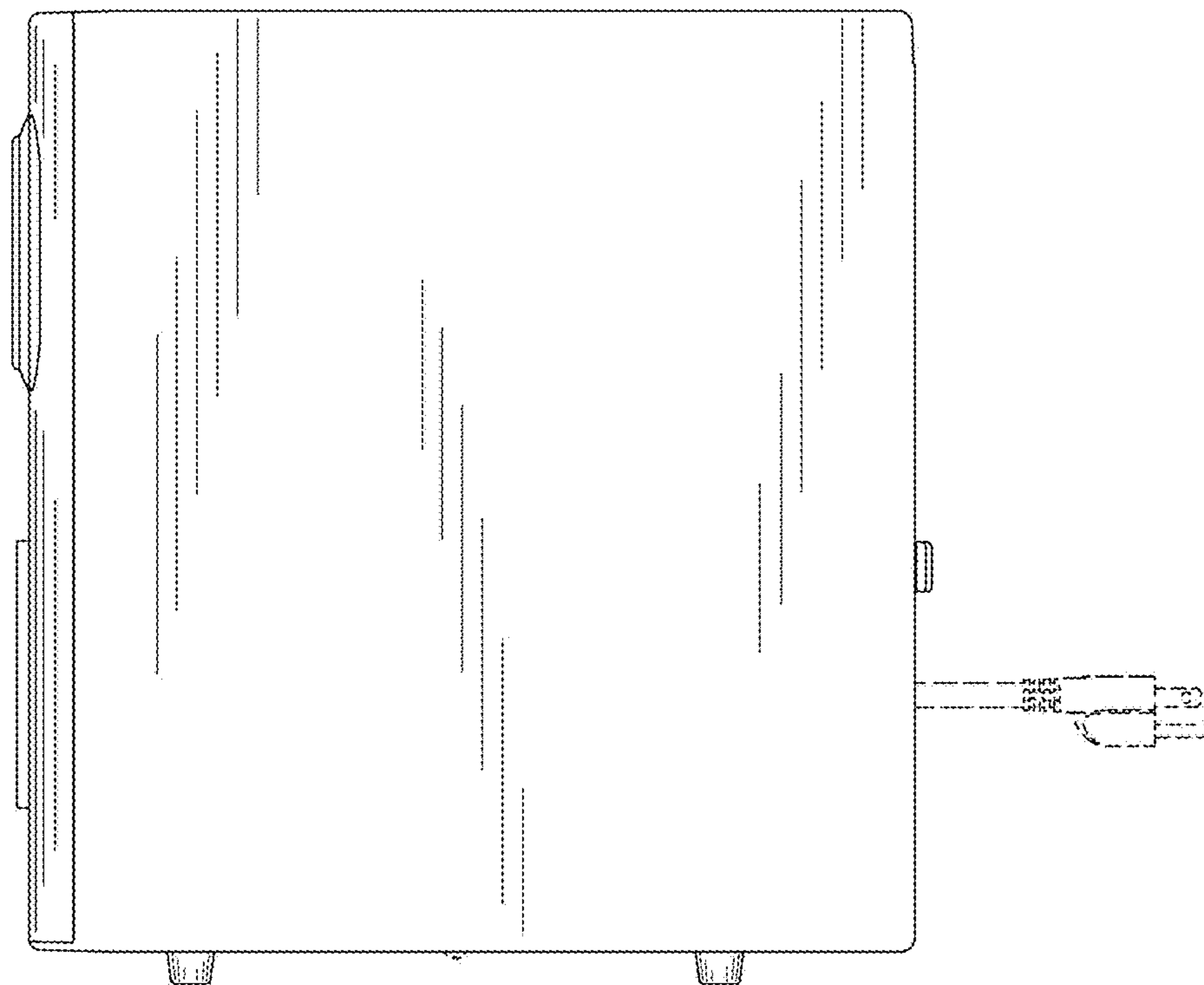


FIG. 7

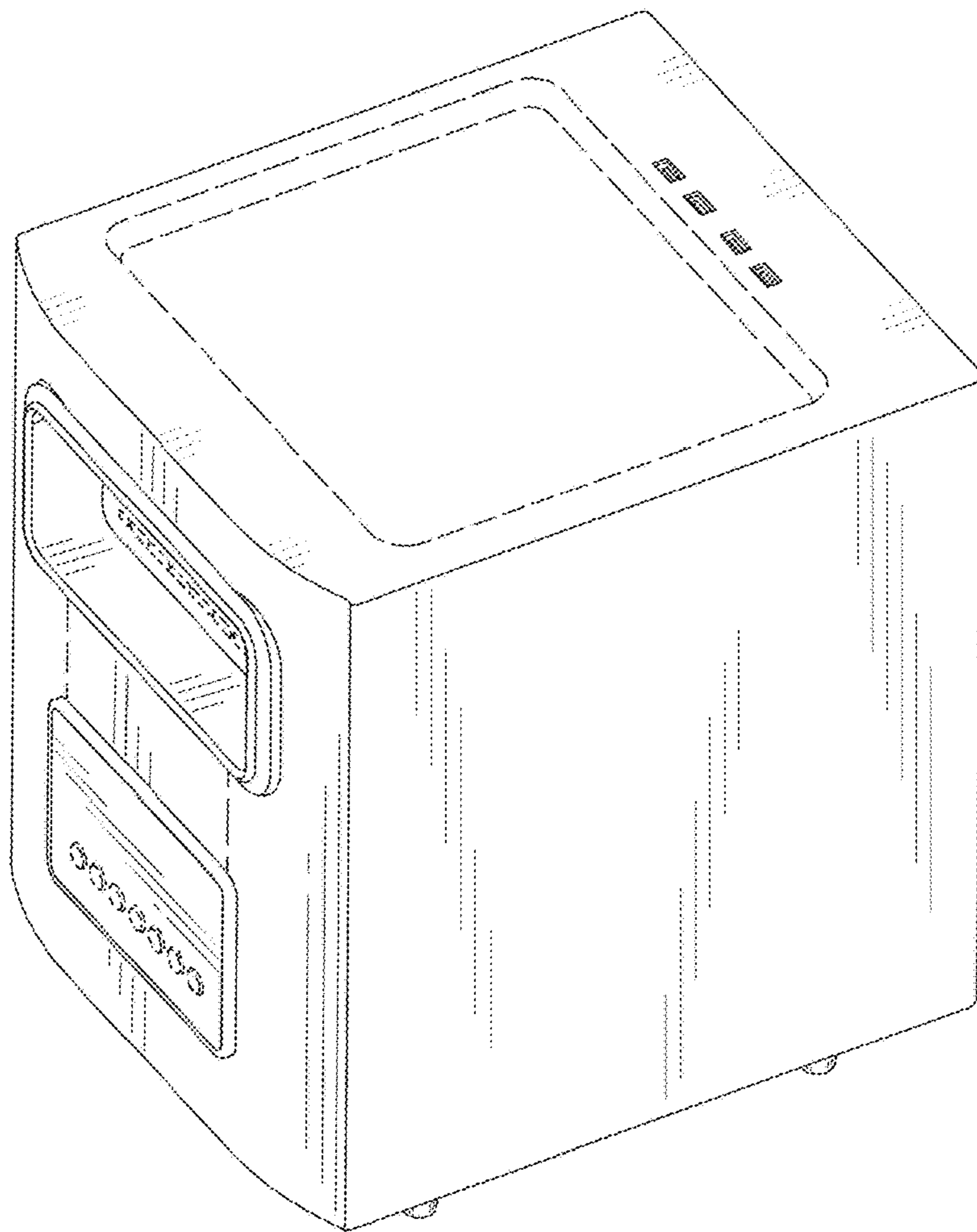


FIG. 8

