



US00D833590S

(12) **United States Design Patent** (10) **Patent No.:** **US D833,590 S**
Bowser, Jr. (45) **Date of Patent:** **** Nov. 13, 2018**

(54) **COKE OVEN WALL BLOCK ASSEMBLY**
(71) Applicant: **FOSBEL, INC.**, Brook Park, OH (US)
(72) Inventor: **Alan E. Bowser, Jr.**, Brook Park, OH (US)
(73) Assignee: **FOSBEL, INC.**, Brook Park, OH (US)
(**) Term: **15 Years**
(21) Appl. No.: **29/607,533**
(22) Filed: **Jun. 14, 2017**
(51) **LOC (11) Cl.** **23-03**
(52) **U.S. Cl.**
USPC **D23/329**
(58) **Field of Classification Search**
USPC D23/422, 398, 343, 344, 345, 347, 329,
D23/314, 322, 499; D15/144, 144.1,
D15/144.2, 123, 131; D25/102, 113, 114,
D25/115, 116, 117, 118
CPC C10B 5/12; C10B 29/02; C10B 29/06;
C10B 3/00; C10B 1/00; C10B 15/00;
F27D 1/04; F27D 1/063; F27B 13/08;
F27B 13/10; F27B 13/06
See application file for complete search history.

(56) **References Cited**

U.S. PATENT DOCUMENTS

618,218 A * 1/1899 Barnes F27B 13/02
432/169
1,606,150 A * 11/1926 Curtis F27D 1/004
52/506.03
2,141,035 A * 12/1938 Daniels C10B 29/02
202/223
4,364,798 A * 12/1982 Costa C10B 29/06
201/18
4,545,860 A * 10/1985 Lyskawa C10B 29/06
201/41

5,137,603 A * 8/1992 Arthur, Jr. C10B 29/02
202/139
5,168,036 A * 12/1992 Doby, Jr. F27D 1/04
432/137
5,423,152 A * 6/1995 Kolvek C10B 29/02
110/332
6,066,236 A 5/2000 Gilroy
D567,829 S * 4/2008 Stephansky E04B 2/06
D15/123
8,266,853 B2 9/2012 Bloom et al.
8,640,635 B2 2/2014 Bloom et al.
D774,212 S * 12/2016 Malpesa Guerrero D25/113
2010/0287871 A1 * 11/2010 Bloom C10B 5/12
52/505
2016/0145494 A1 5/2016 Bowser, Jr.
(Continued)

Primary Examiner — T Chase Nelson
Assistant Examiner — Ania Aman
(74) *Attorney, Agent, or Firm* — Nixon & Vanderhye P.C.

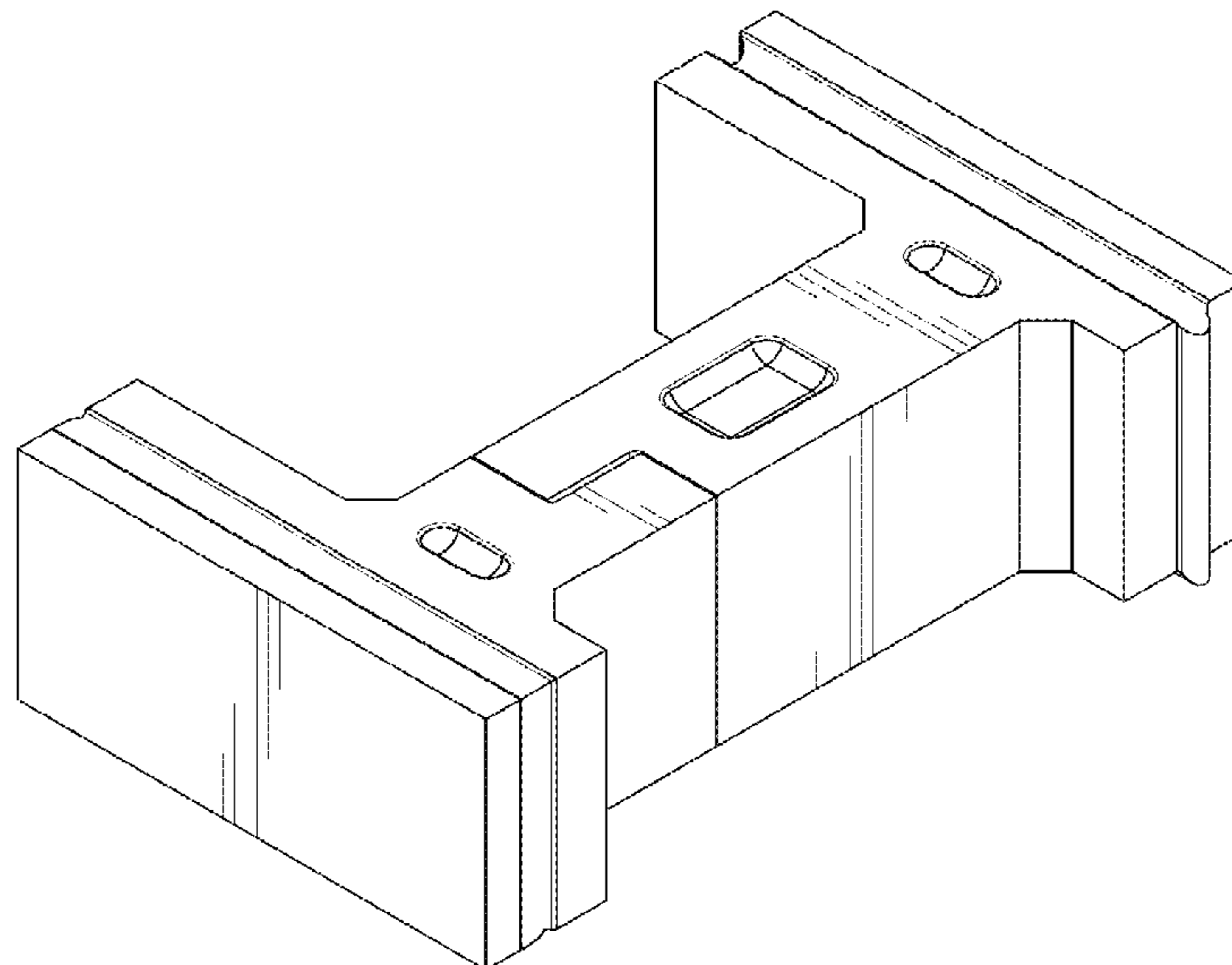
(57) **CLAIM**

The ornamental design for “coke oven wall block assembly,” as shown and described.

DESCRIPTION

This application may be deemed to be related to copending and commonly owned U.S. Utility patent application Ser. No. 15/622,384 filed on Jun. 14, 2017, the entire content of which is expressly incorporated hereinto by reference. FIG. 1 is a left top front perspective view thereof; FIG. 2 is a right top front perspective view of thereof; FIG. 3 is a right top rear perspective view thereof; FIG. 4 is a left top rear perspective view thereof; FIG. 5 is a bottom perspective view thereof; FIG. 6 is a front elevation view thereof; FIG. 7 is a rear elevation view thereof; FIG. 8 is a top plan view thereof; FIG. 9 is a bottom plan view thereof; FIG. 10 is a right side elevation view thereof; and, FIG. 11 is a left side elevation view thereof.

1 Claim, 6 Drawing Sheets



(56)

References Cited

U.S. PATENT DOCUMENTS

2016/0264870 A1* 9/2016 Bowser, Jr. C10B 29/02
2016/0281983 A1* 9/2016 Bowser, Jr. F23M 5/02

* cited by examiner

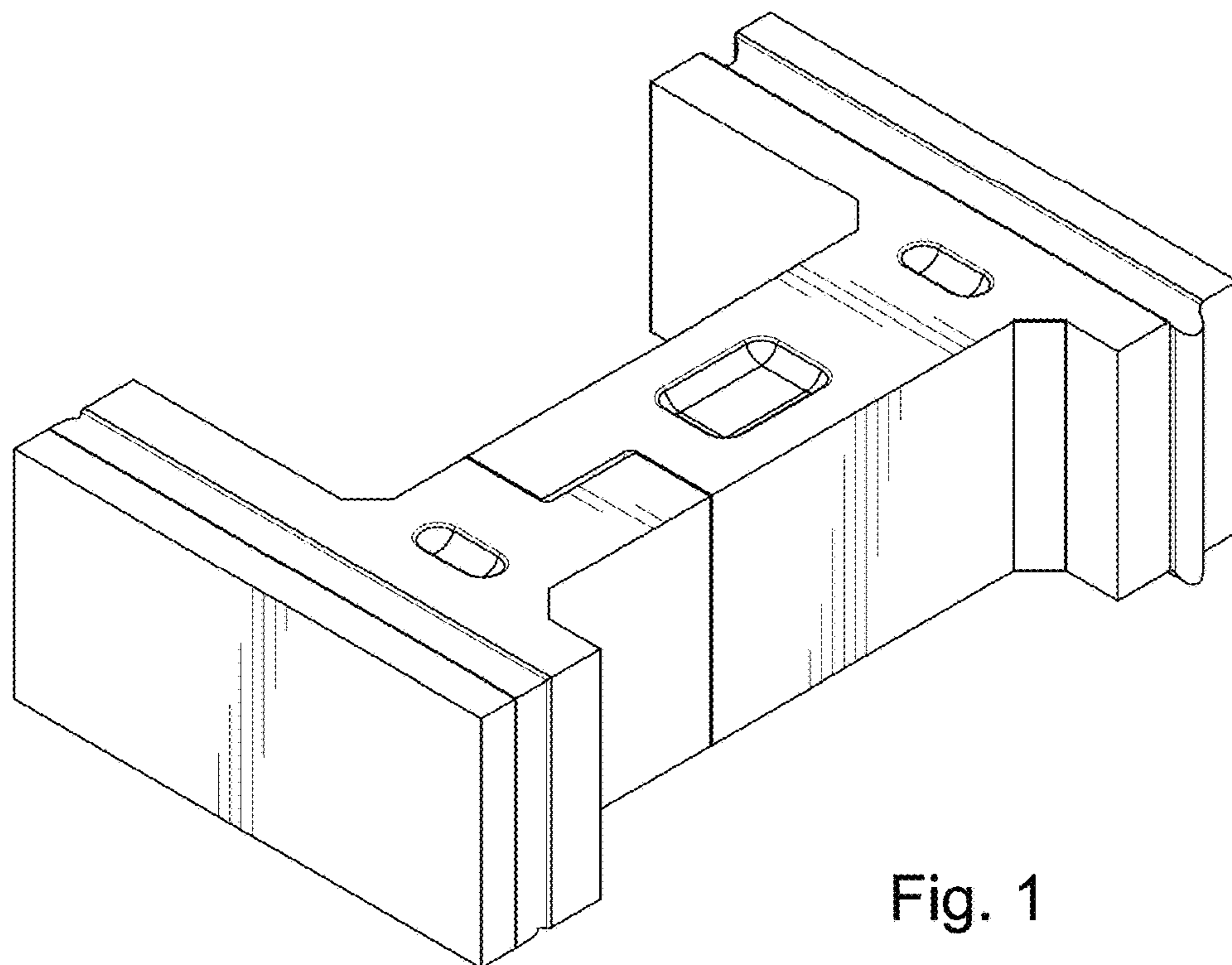


Fig. 1

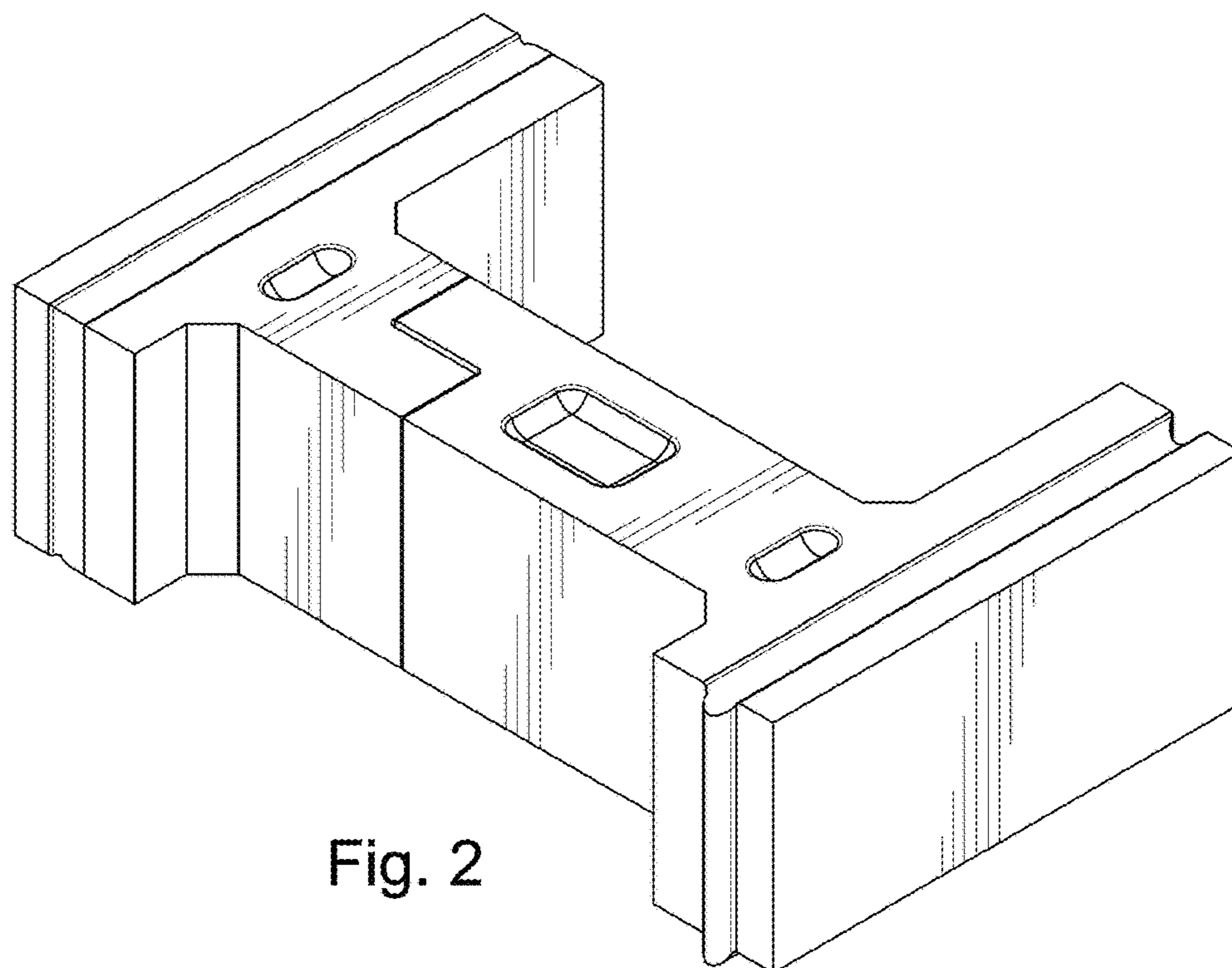


Fig. 2

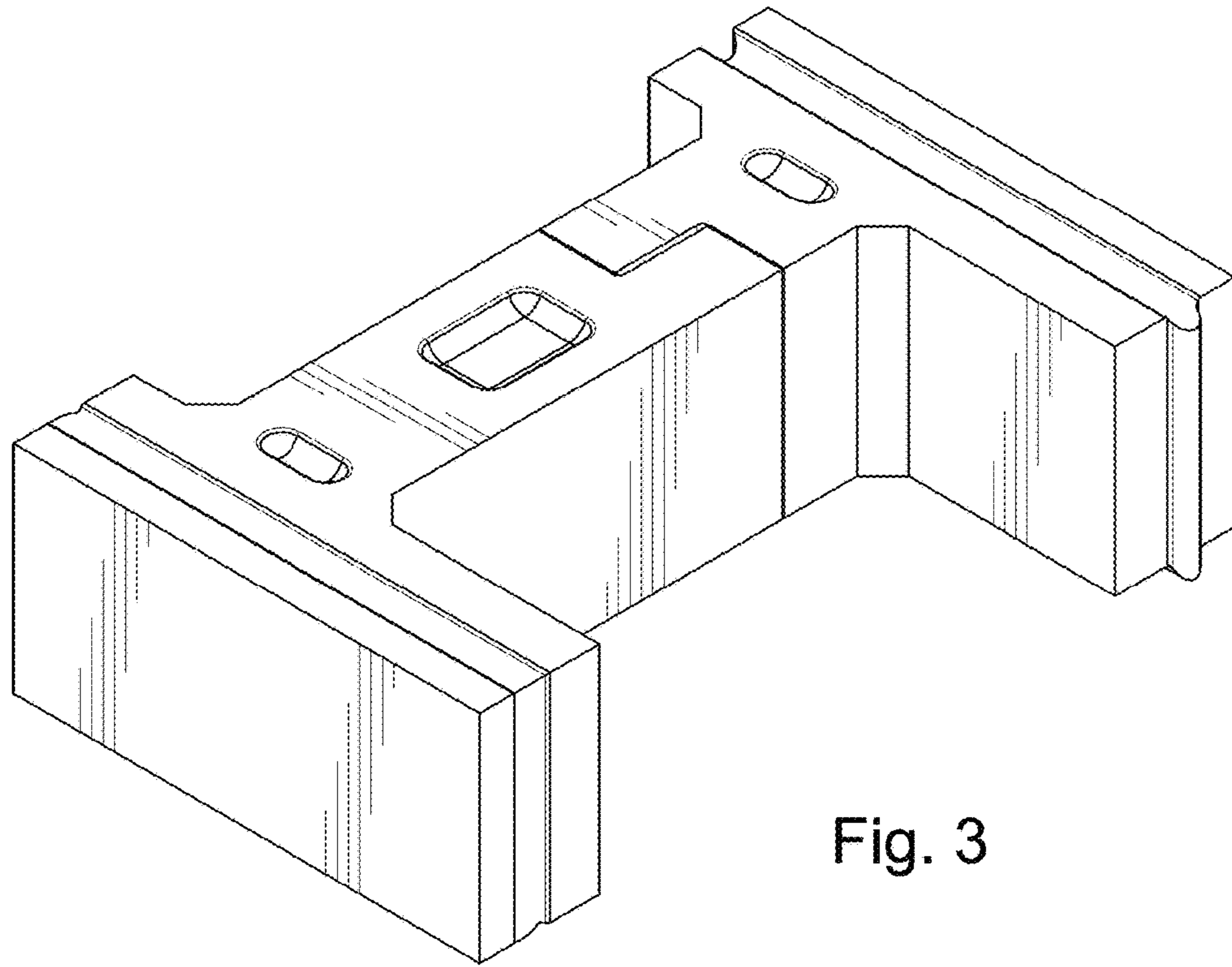


Fig. 3

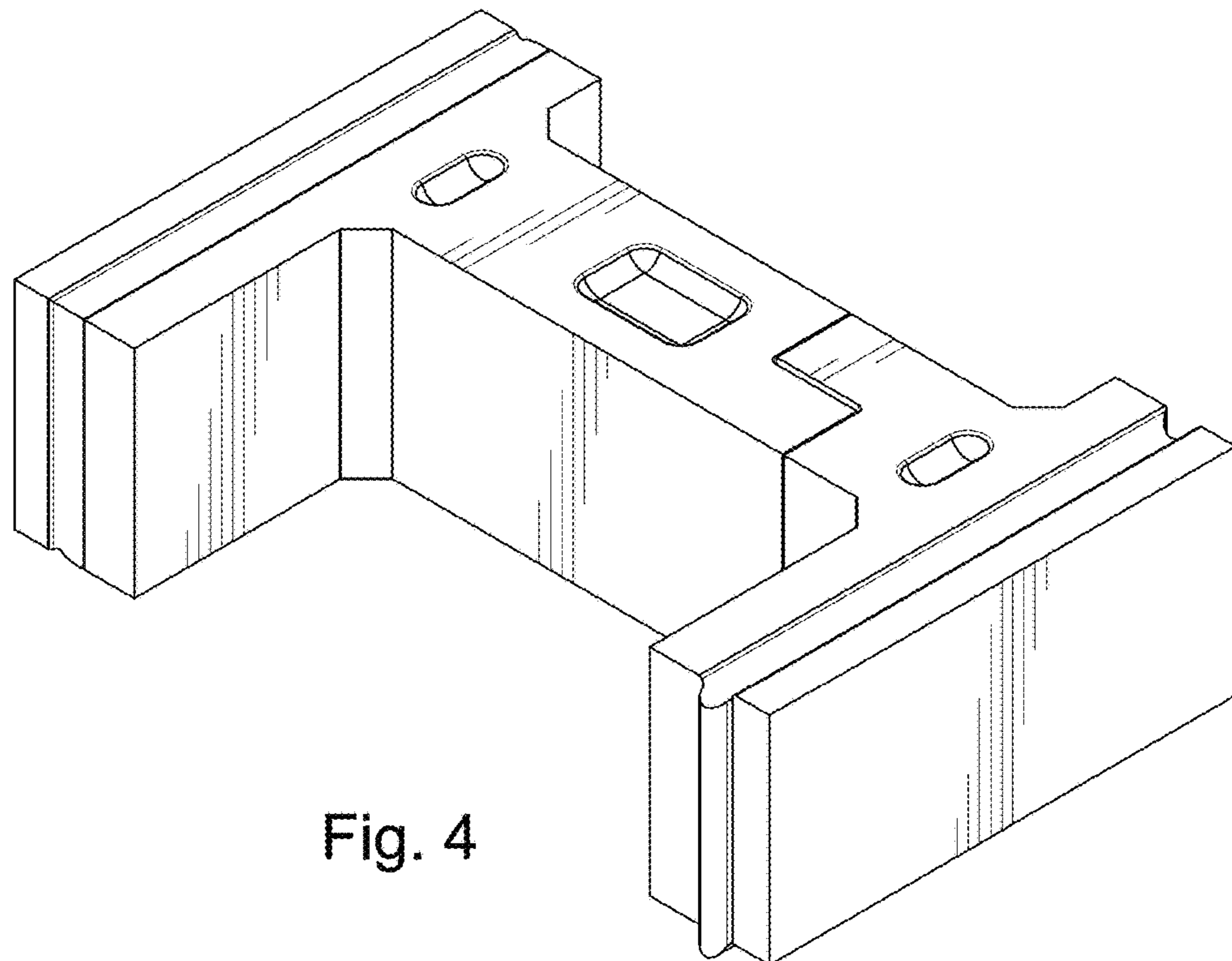


Fig. 4

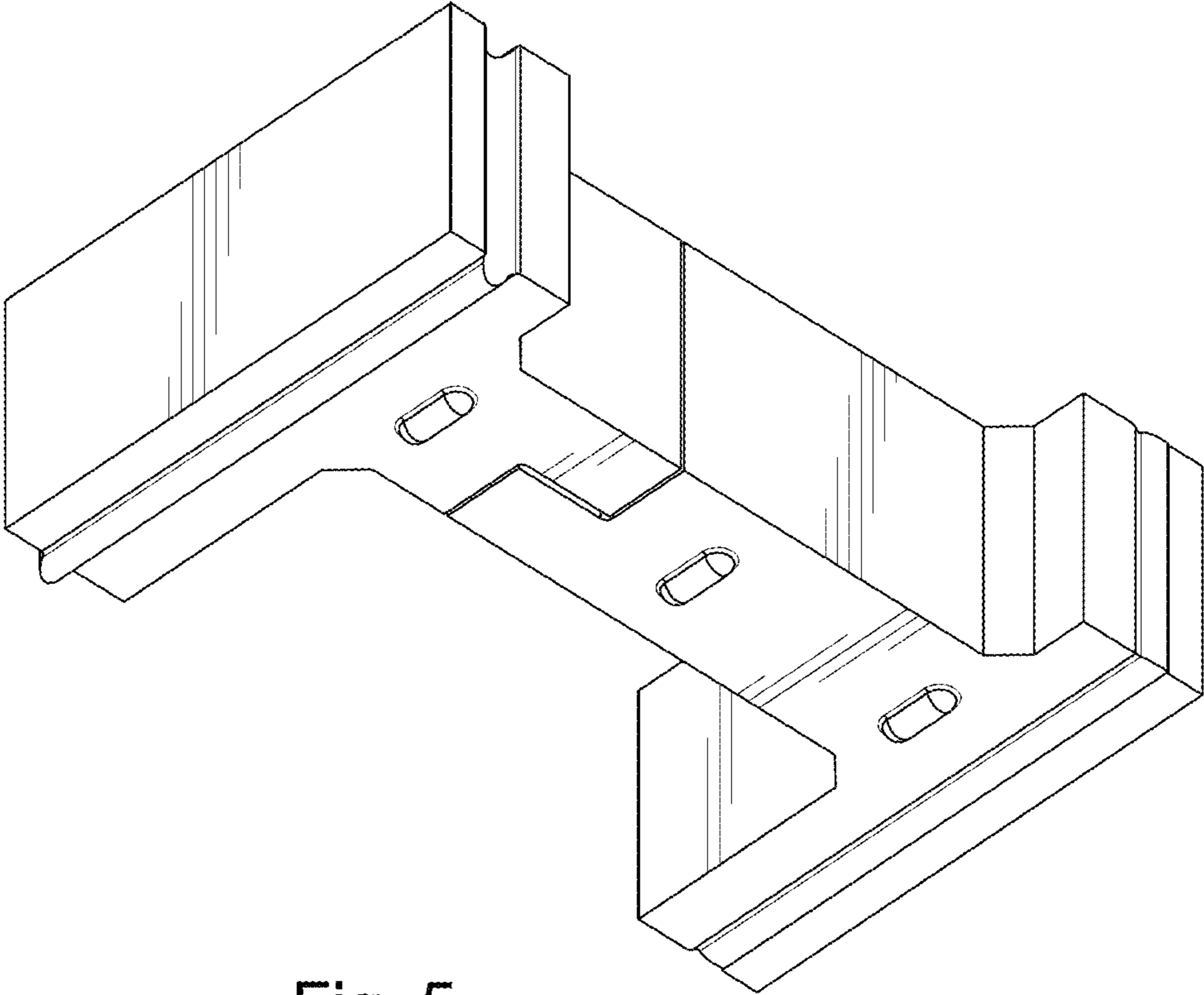


Fig. 5

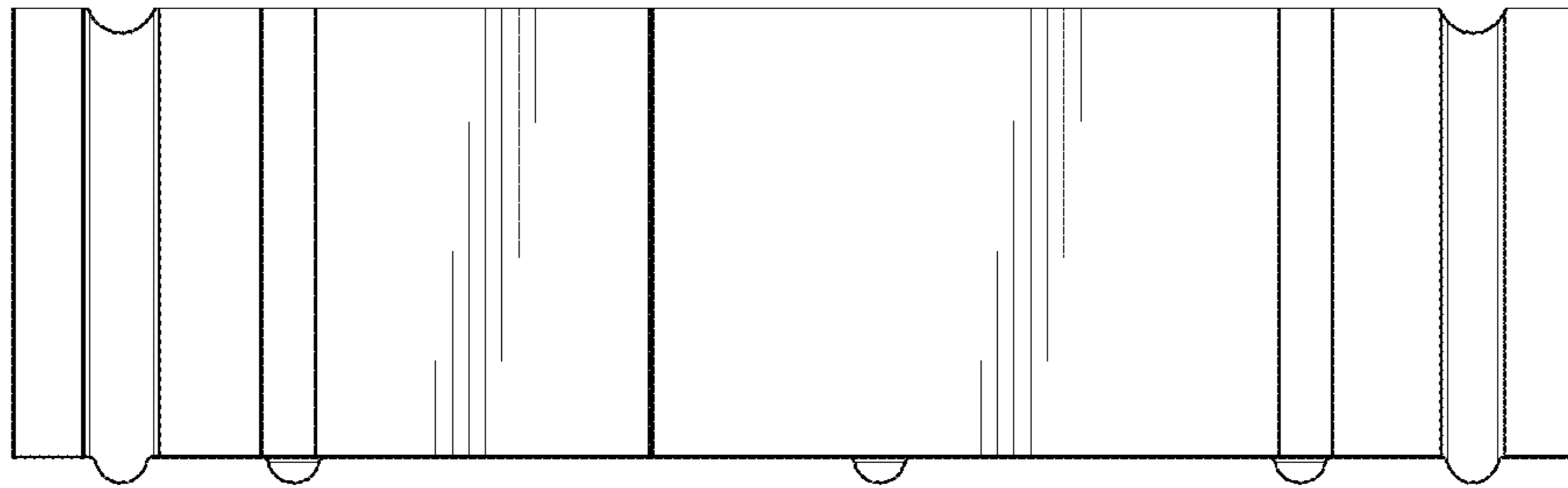


Fig. 6

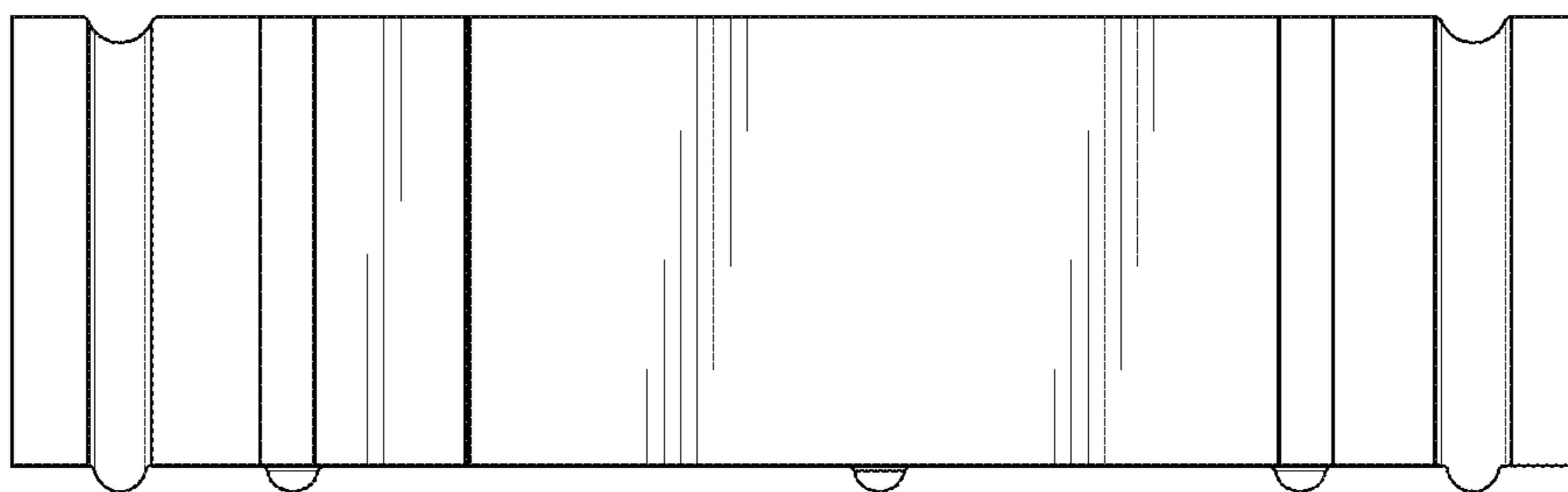


Fig. 7

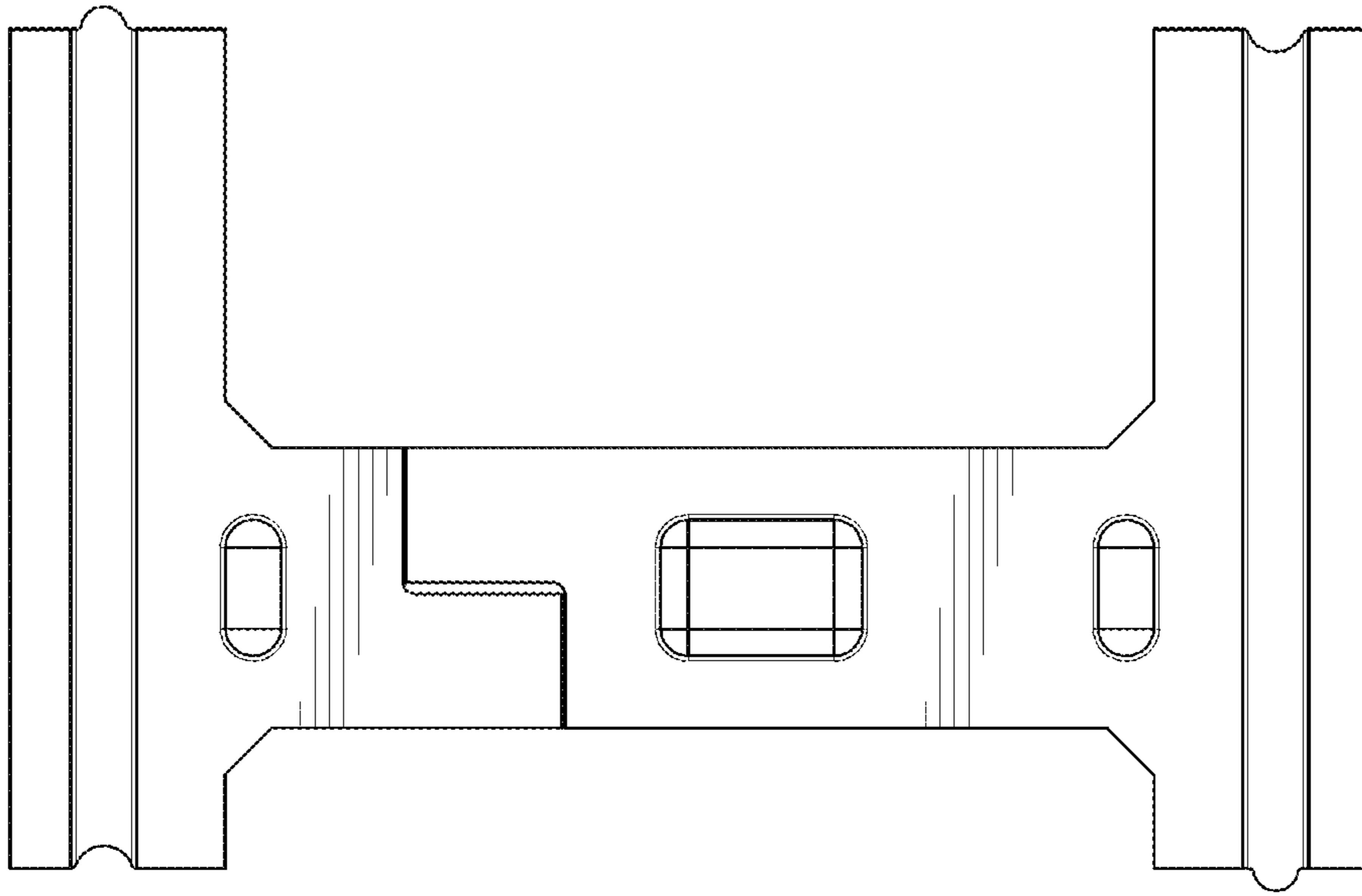


Fig. 8

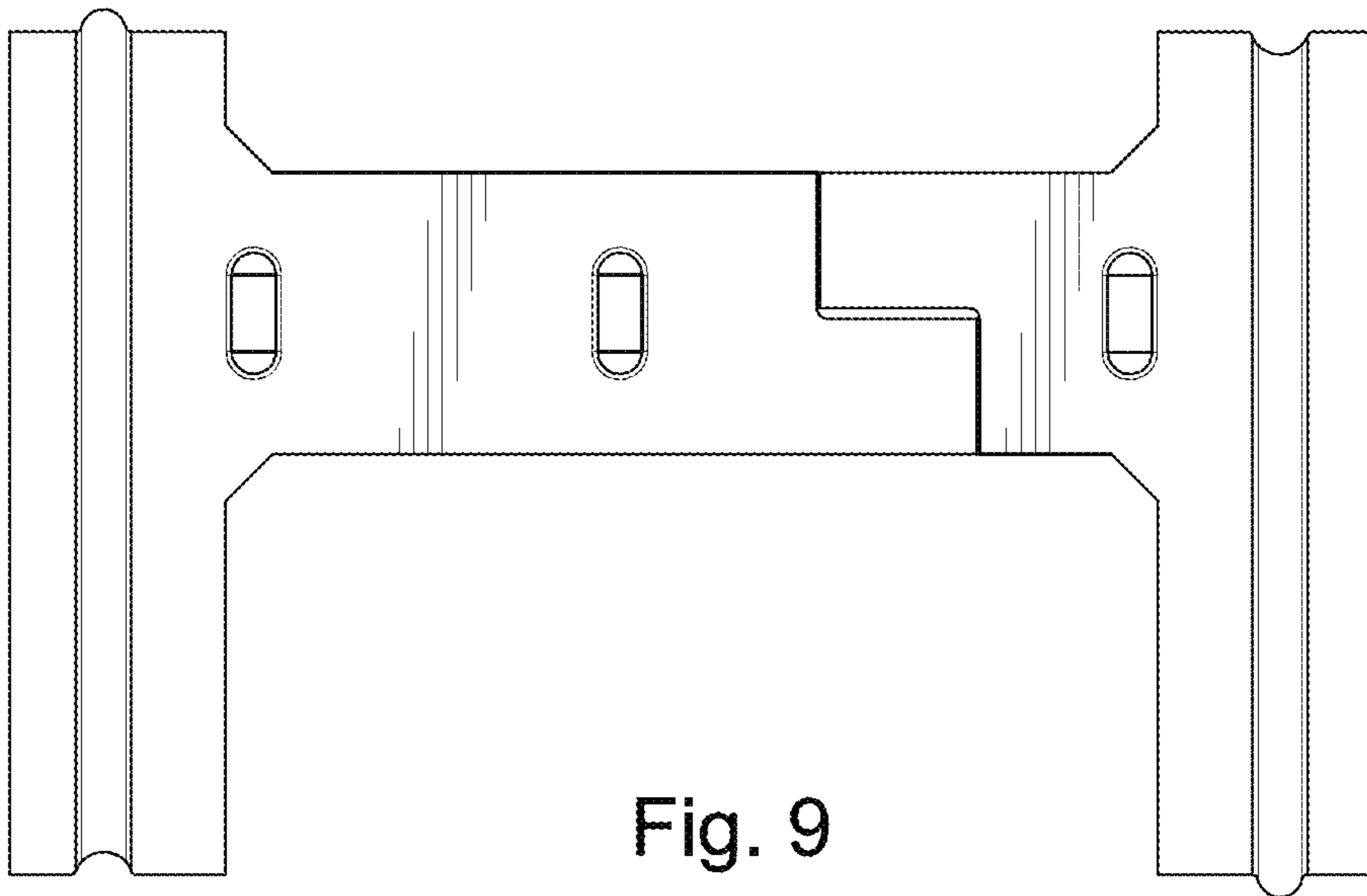


Fig. 9

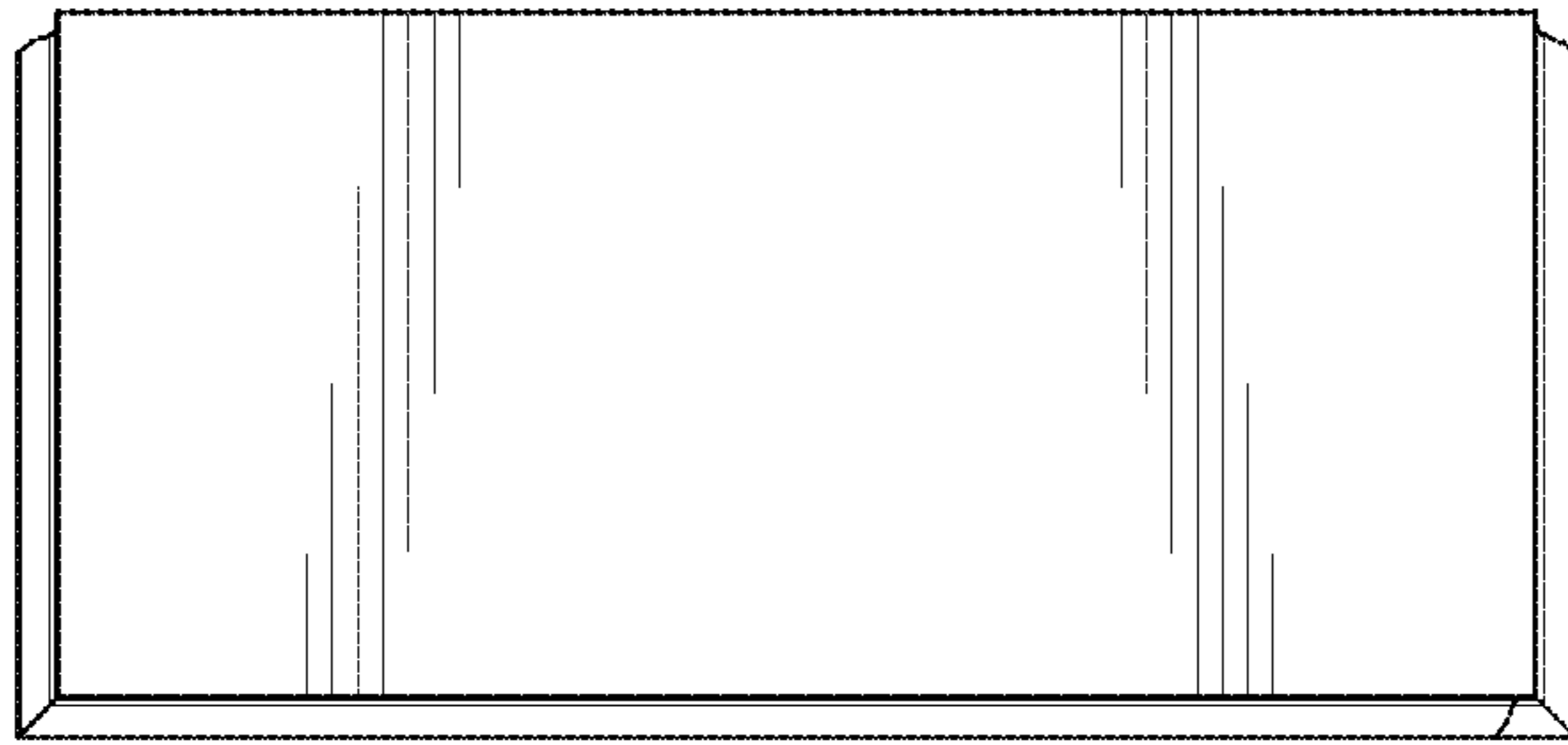


Fig. 10

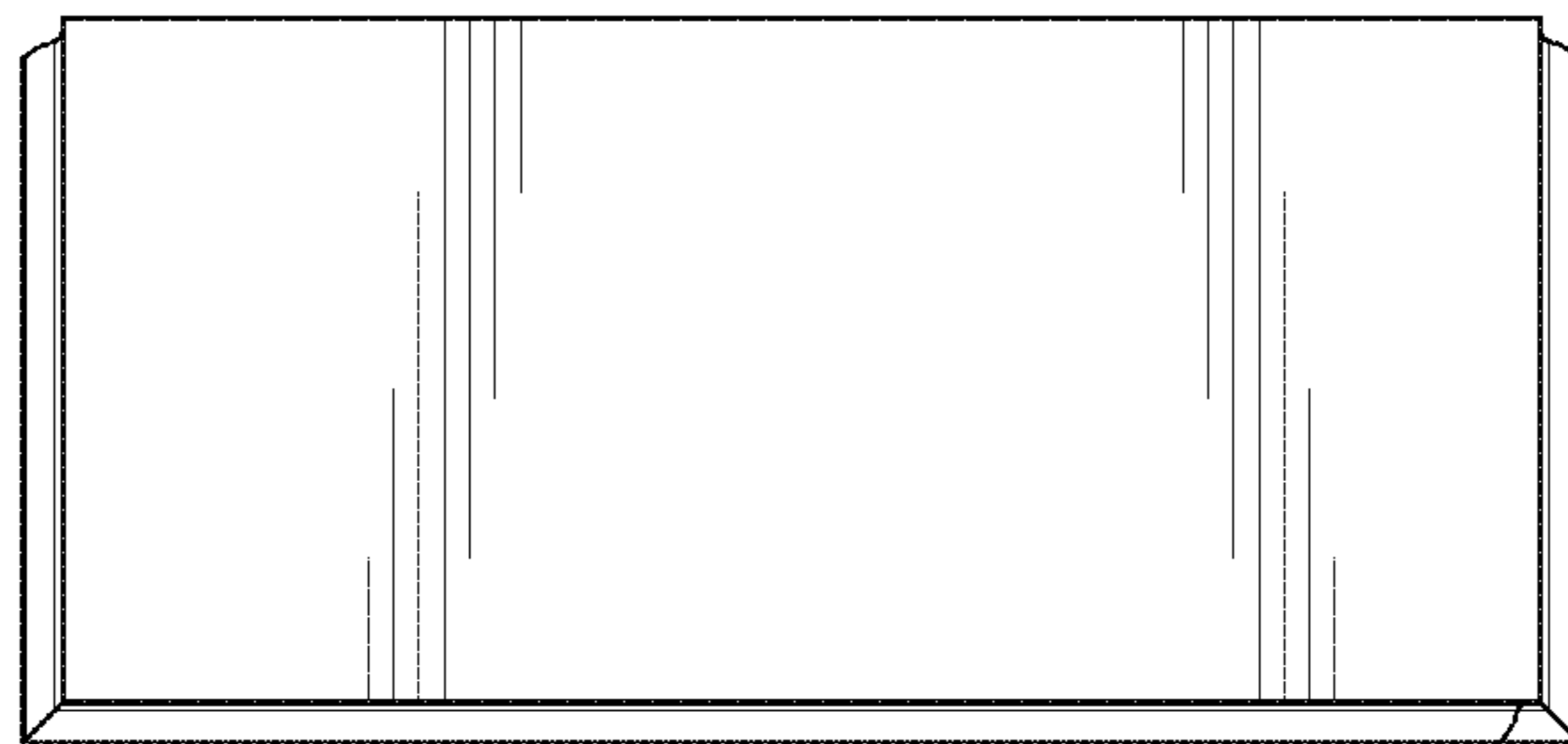


Fig. 11