



US00D833589S

(12) **United States Design Patent** (10) **Patent No.:** **US D833,589 S**  
**Shono et al.** (45) **Date of Patent:** **\*\* Nov. 13, 2018**

(54) **WATER HEATER**

(71) Applicant: **NORITZ CORPORATION**, Hyogo (JP)

(72) Inventors: **Ryoichi Shono**, Akashi (JP); **Toshihiro Ishino**, Kobe (JP)

(73) Assignee: **NORITZ CORPORATION**, Hyogo (JP)

(\*\*) Term: **15 Years**

(21) Appl. No.: **29/582,823**

(22) Filed: **Oct. 31, 2016**

(51) **LOC (11) Cl.** ..... **23-03**

(52) **U.S. Cl.**  
USPC ..... **D23/318**

(58) **Field of Classification Search**  
USPC .... D23/3, 42, 314, 318, 329, 334, 335, 355,  
D23/356, 358, 359, 364, 386, 387, 317,  
(Continued)

(56) **References Cited**

**U.S. PATENT DOCUMENTS**

D81,225 S 5/1930 Boattenhamer  
D251,386 S 3/1979 Leonard  
(Continued)

**FOREIGN PATENT DOCUMENTS**

CA 171298 S 8/2017  
CA 174783 S 8/2017  
CA 174784 S 8/2017

**OTHER PUBLICATIONS**

Noritz, Products NRCB199, Publication date unknown, [Site visited Dec. 4, 2017], Available on the Internet URL <http://www.noritz.com/products/nrcb199/>.\*

(Continued)

*Primary Examiner* — Karen S Acker

*Assistant Examiner* — Steven B Reinholdt, Jr.

(74) *Attorney, Agent, or Firm* — Studebaker & Brackett PC

(57) **CLAIM**

The ornamental design for a water heater, as shown and described.

**DESCRIPTION**

FIG. 1 is a perspective view of a water heater, in accordance with Embodiment 1 of the present design;

FIG. 2 is a front view thereof;

FIG. 3 is a rear view thereof;

FIG. 4 is a top view thereof;

FIG. 5 is a bottom view thereof;

FIG. 6 is a right side view thereof;

FIG. 7 is a left side view thereof;

FIG. 8 is a cross sectional view in which the internal mechanism is not shown for the sake of clarity, taken along line 8-8 of FIG. 2 thereof;

FIG. 9 is a cross sectional view in which the internal mechanism is not shown for the sake of clarity, taken along line 9-9 of FIG. 2 thereof;

FIG. 10 is a cross sectional view in which the internal mechanism is not shown for the sake of clarity, taken along line 10-10 of FIG. 2 thereof;

FIG. 11 is a perspective view of a water heater, in accordance with Embodiment 2 of the present design;

FIG. 12 is a front view thereof;

FIG. 13 is a rear view thereof;

FIG. 14 is a top view thereof;

FIG. 15 is a bottom view thereof;

FIG. 16 is a right side view thereof;

FIG. 17 is a left side view thereof;

FIG. 18 is a cross sectional view in which the internal mechanism is not shown for the sake of clarity, taken along line 18-18 of FIG. 12 thereof;

FIG. 19 is a cross sectional view in which the internal mechanism is not shown for the sake of clarity, taken along line 19-19 of FIG. 12 thereof;

(Continued)

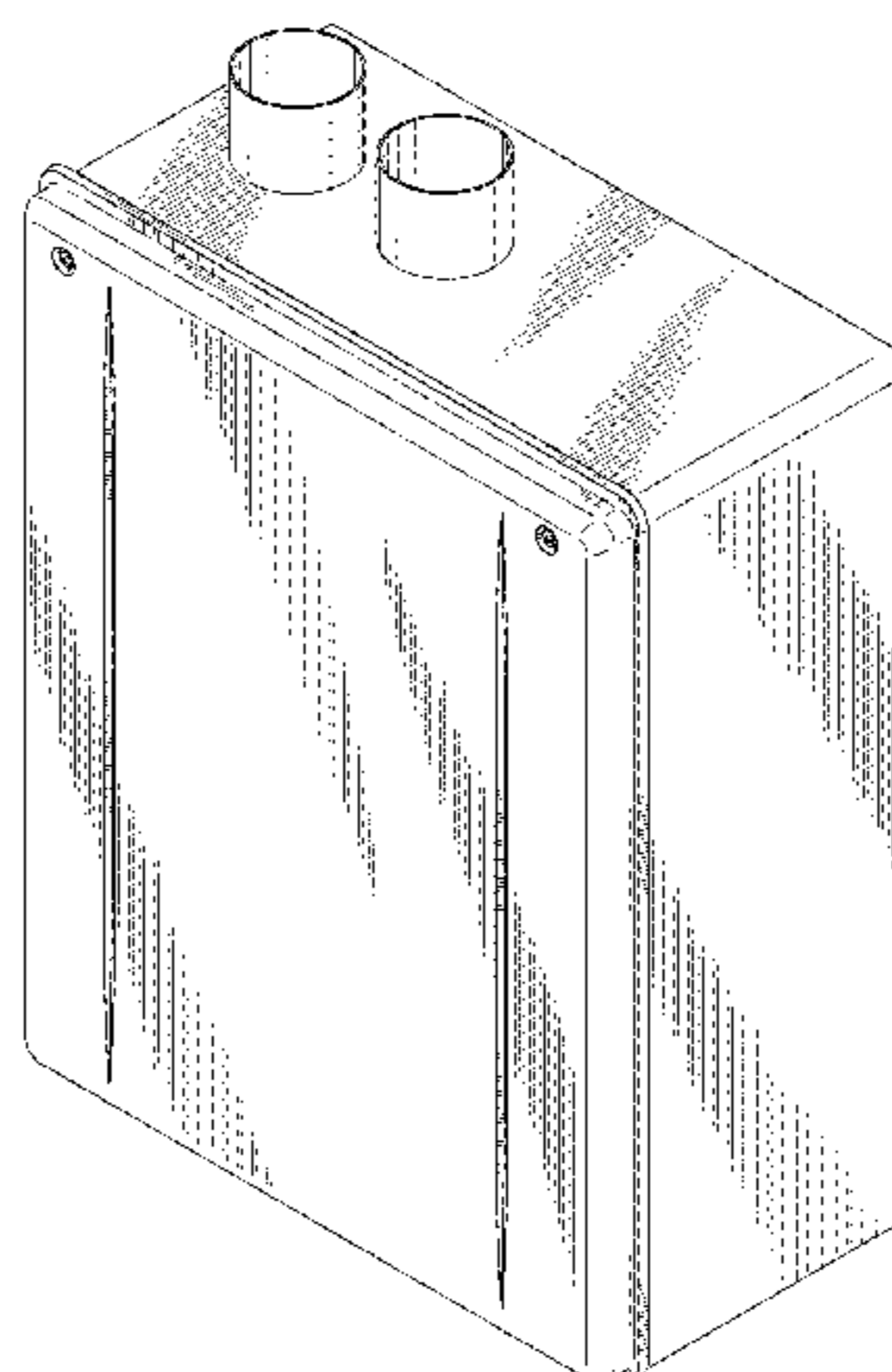


FIG. 20 is a cross sectional view in which the internal mechanism is not shown for the sake of clarity, taken along line 20-20 of FIG. 12 thereof; and,

FIG. 21 is a cross sectional view in which the internal mechanism is not shown for the sake of clarity, taken along line 21-21 of FIG. 12 thereof.

The broken lines in the drawings depict portions of the water heater that form no part of the claimed design.

**1 Claim, 17 Drawing Sheets**

(58) **Field of Classification Search**

USPC ..... D23/320, 321, 322, 323, 324, 328, 330,  
D23/332, 337, 341, 342, 343, 347;  
D13/184; D14/214, 221, 235, 240, 356,  
D14/362  
CPC ..... F24C 7/10; F24H 9/2071; F24H 9/2064;  
F24H 1/06; F24H 9/2028; F24H 9/02;  
F24H 9/128; F24H 9/2021; F24H 9/2007;  
F24H 9/0005; F24H 4/00; F24H 2/142;  
H05B 3/78

See application file for complete search history.

(56) **References Cited**

U.S. PATENT DOCUMENTS

D258,988 S	4/1981	Leonard	
D327,814 S	7/1992	Graham et al.	
5,947,272 A	9/1999	Park	
D425,493 S *	5/2000	Cutright	D13/184
D428,809 S	8/2000	Adair	
D433,858 S	11/2000	Gastelum et al.	
D483,451 S *	12/2003	Yamamoto	D23/320
D483,452 S *	12/2003	Yamamoto	D23/320
D483,453 S *	12/2003	Yamamoto	D23/320
D483,844 S *	12/2003	Yamamoto	D23/320
D507,733 S	7/2005	Liu	
D532,498 S *	11/2006	Maegawa	D23/318
D533,928 S *	12/2006	Maegawa	D23/318
D545,127 S	6/2007	Fife	
D570,974 S *	6/2008	Nanbu	D23/318
D570,976 S *	6/2008	Nanbu	D23/318
D574,187 S	8/2008	Jarratt	

D576,507 S	9/2008	Farnworth et al.	
D604,254 S *	11/2009	Lanfear	D13/162
D609,701 S *	2/2010	Hou	D14/240
D611,692 S	3/2010	Bizzo	
D616,536 S *	5/2010	Lee	D23/318
D642,572 S	8/2011	Kujawski	
D679,258 S *	4/2013	Moore	D13/162.1
D679,530 S	4/2013	Gilboe et al.	
D683,001 S *	5/2013	Lee	D23/320
D687,134 S *	7/2013	Lee	D23/320
D752,392 S	3/2016	Maas et al.	
D769,429 S *	10/2016	Buettner	D23/318
D773,020 S *	11/2016	Buettner	D23/318
D779,270 S	2/2017	Hogan	
D783,793 S *	4/2017	Satou	D23/364
D787,294 S	5/2017	Bast	
D790,248 S	6/2017	Clark et al.	
D802,548 S *	11/2017	Schmid	D13/184
D804,623 S	12/2017	Yamaguchi et al.	
D809,492 S	2/2018	Moon et al.	
D810,259 S	2/2018	You et al.	
D816,063 S	4/2018	Choi et al.	
D817,306 S	5/2018	Jang et al.	
2007/0126320 A1 *	6/2007	Huang	F24H 9/02 312/236
2011/0180019 A1 *	7/2011	Hsu	F24H 1/26 122/13.01

OTHER PUBLICATIONS

An Office Action issued by the U.S. Patent Office dated Aug. 10, 2018, which corresponds to U.S. Appl. No. 29/636,222 and is related to U.S. Appl. No. 29/582,823.

An Office Action issued by the U.S. Patent Office dated Aug. 23, 2018, which corresponds to U.S. Appl. No. 29/636,217 and is related to U.S. Appl. No. 29/582,823.

Noritz website, NCC300OD, Publication date unknown, [site visited Jul. 26, 2018], Available on the Internet URL <http://www.noritz.com/products/ncc300-od/>.

An Office Action issued by the U.S. Patent Office dated Sep. 5, 2018, which corresponds to U.S. Appl. No. 29/636,220 and is related to U.S. Appl. No. 29/582,823.

Noritz website, NRCB-180, Publication date unknown, [site visited Aug. 6, 2018], Available on the Internet URL <http://www.noritz.com/products/nrcb180/>.

An Office Action issued by the U.S. Patent Office dated Sep. 5, 2018, which corresponds to U.S. Appl. No. 29/582,824 and is related to U.S. Appl. No. 29/582,823.

\* cited by examiner



FIG. 1

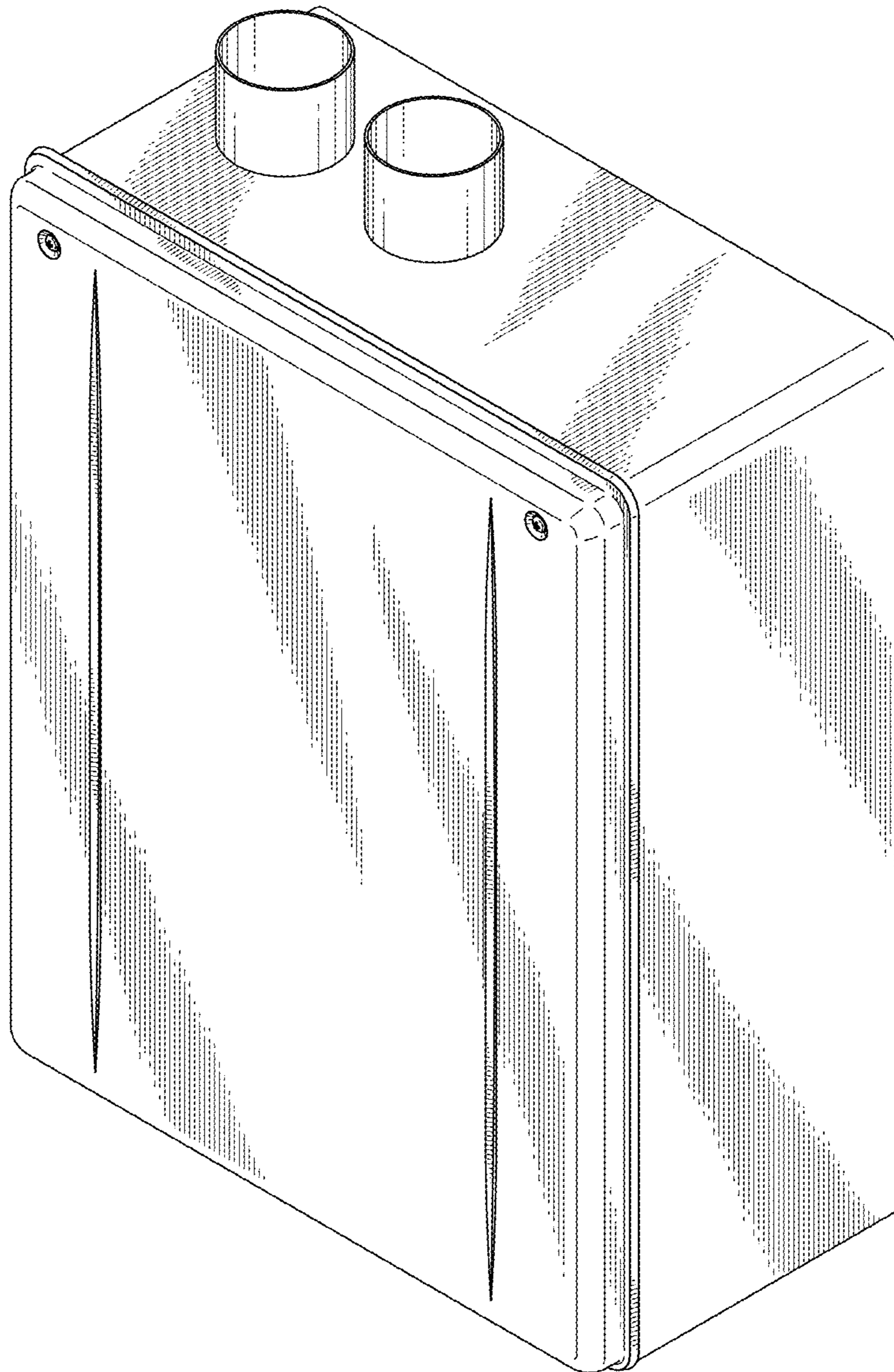


FIG.2

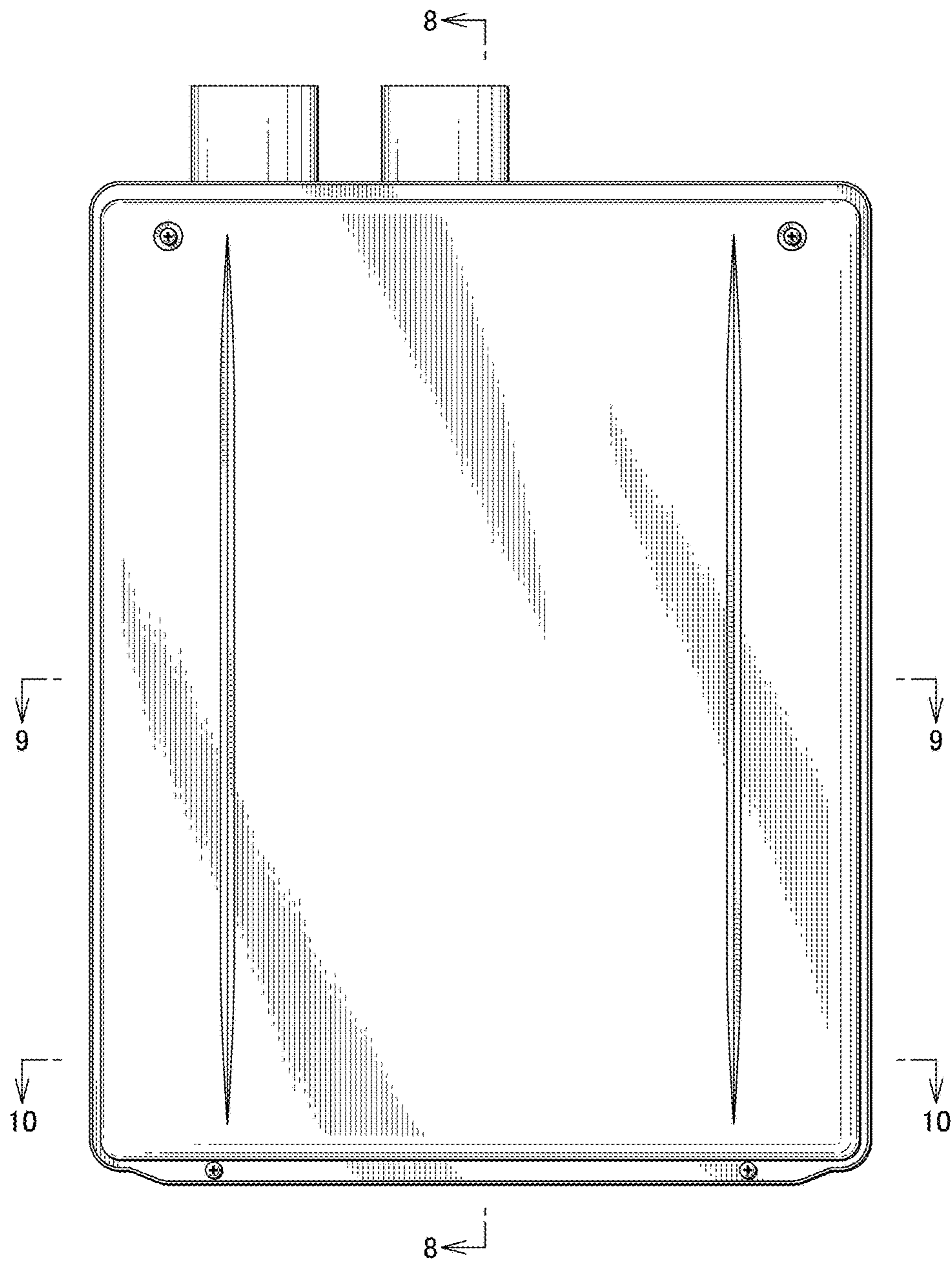


FIG.3

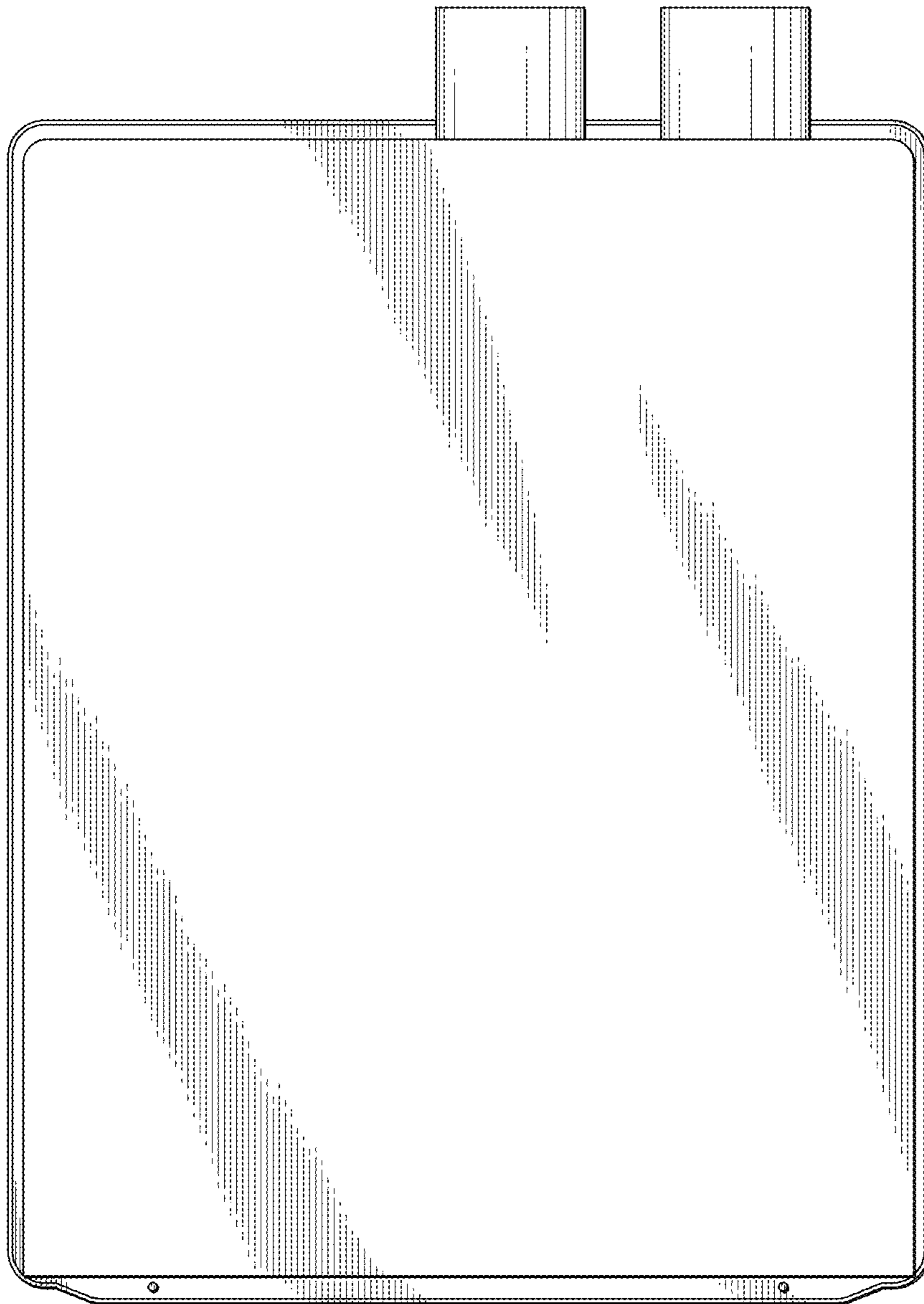


FIG.4

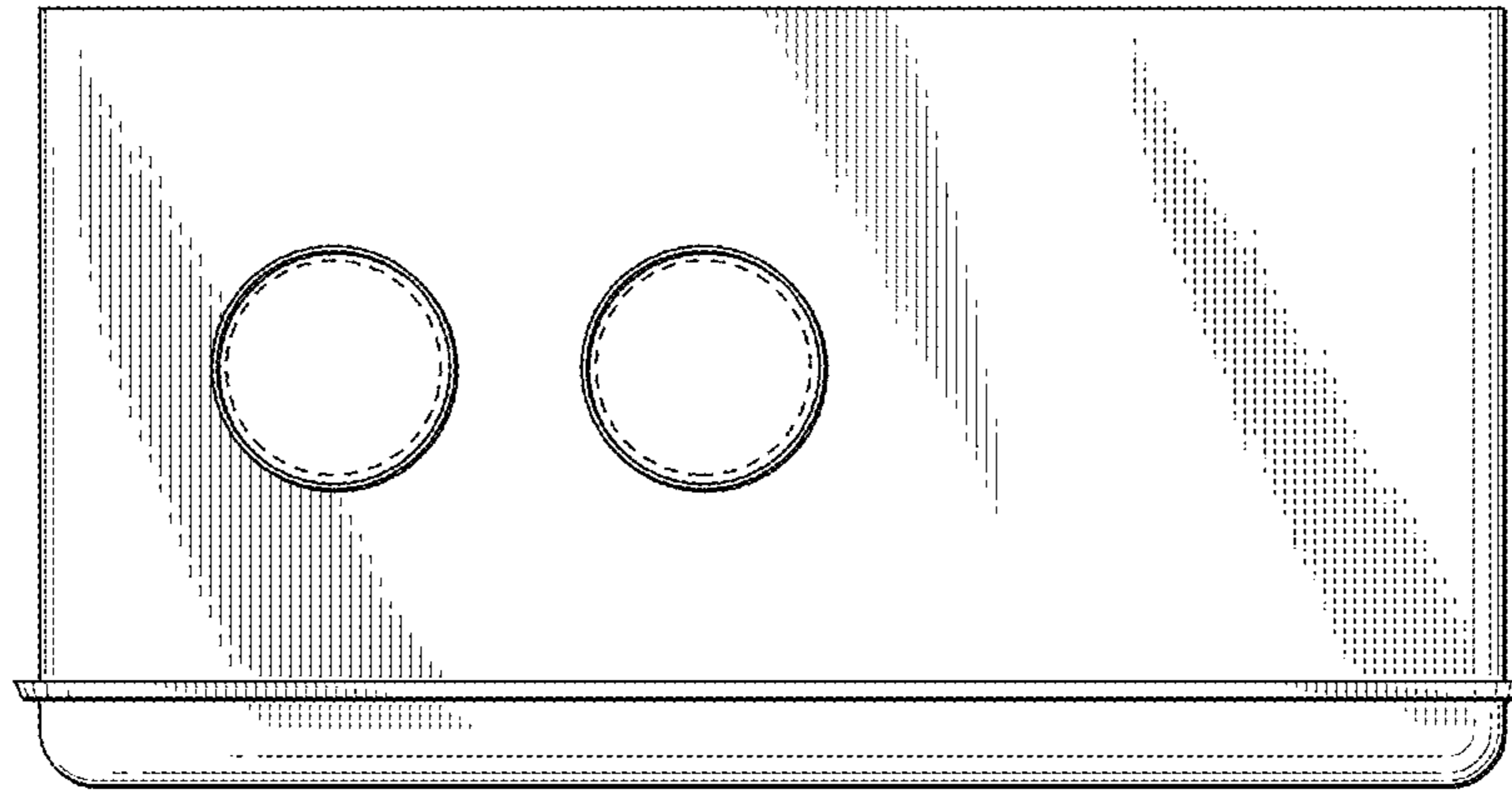


FIG.5

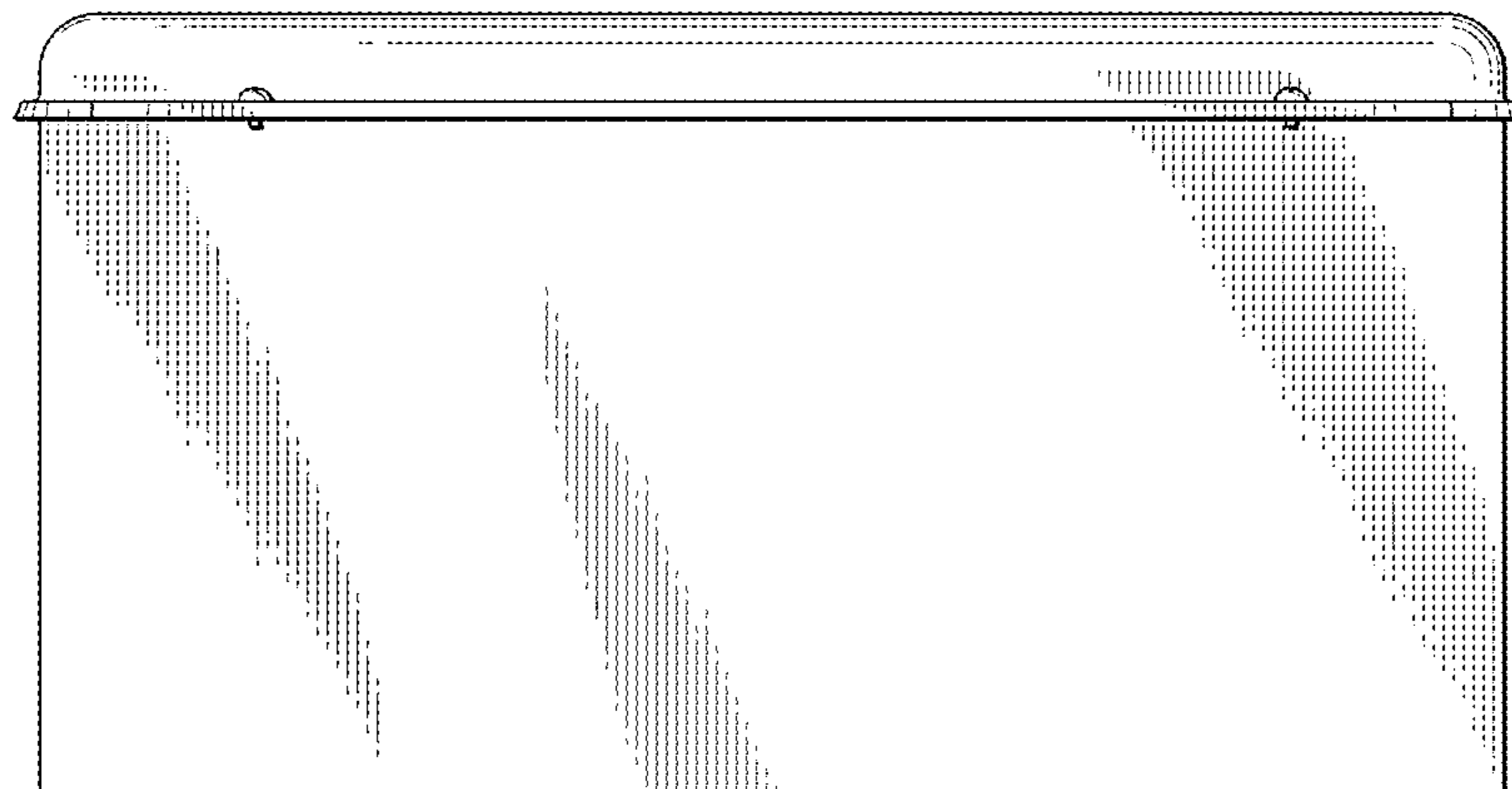


FIG.6

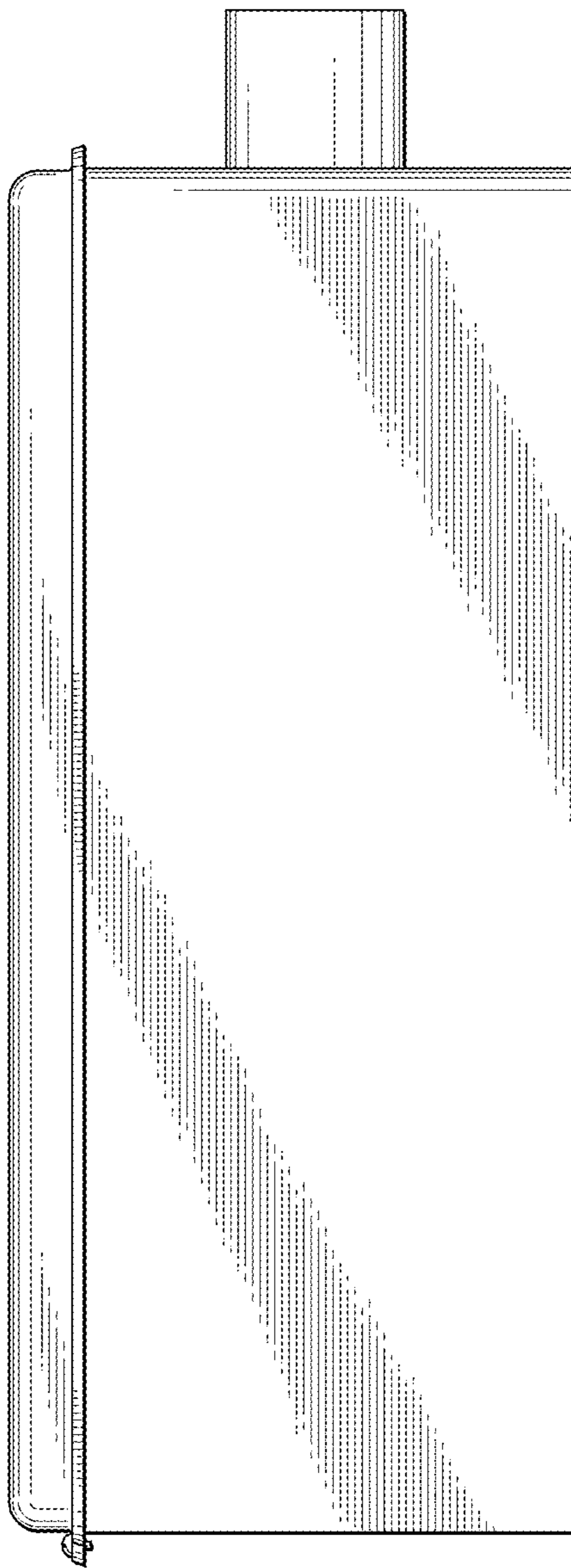




FIG. 7

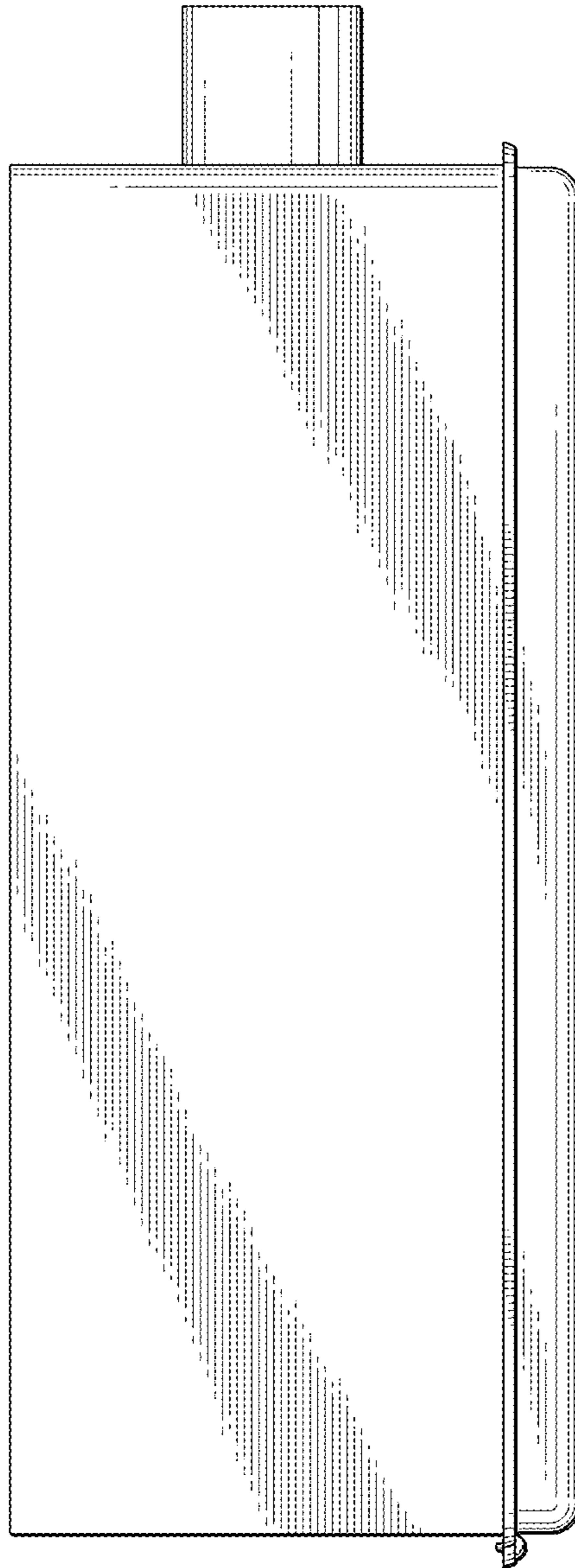




FIG.8

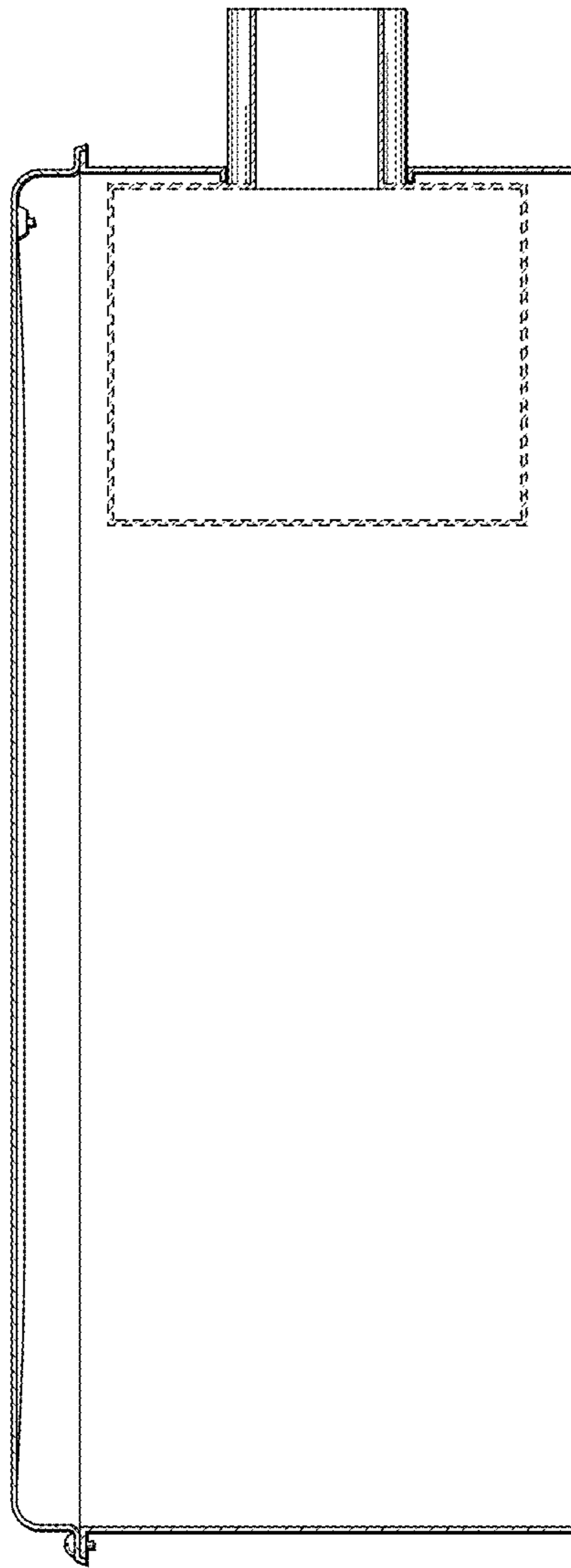


FIG.9

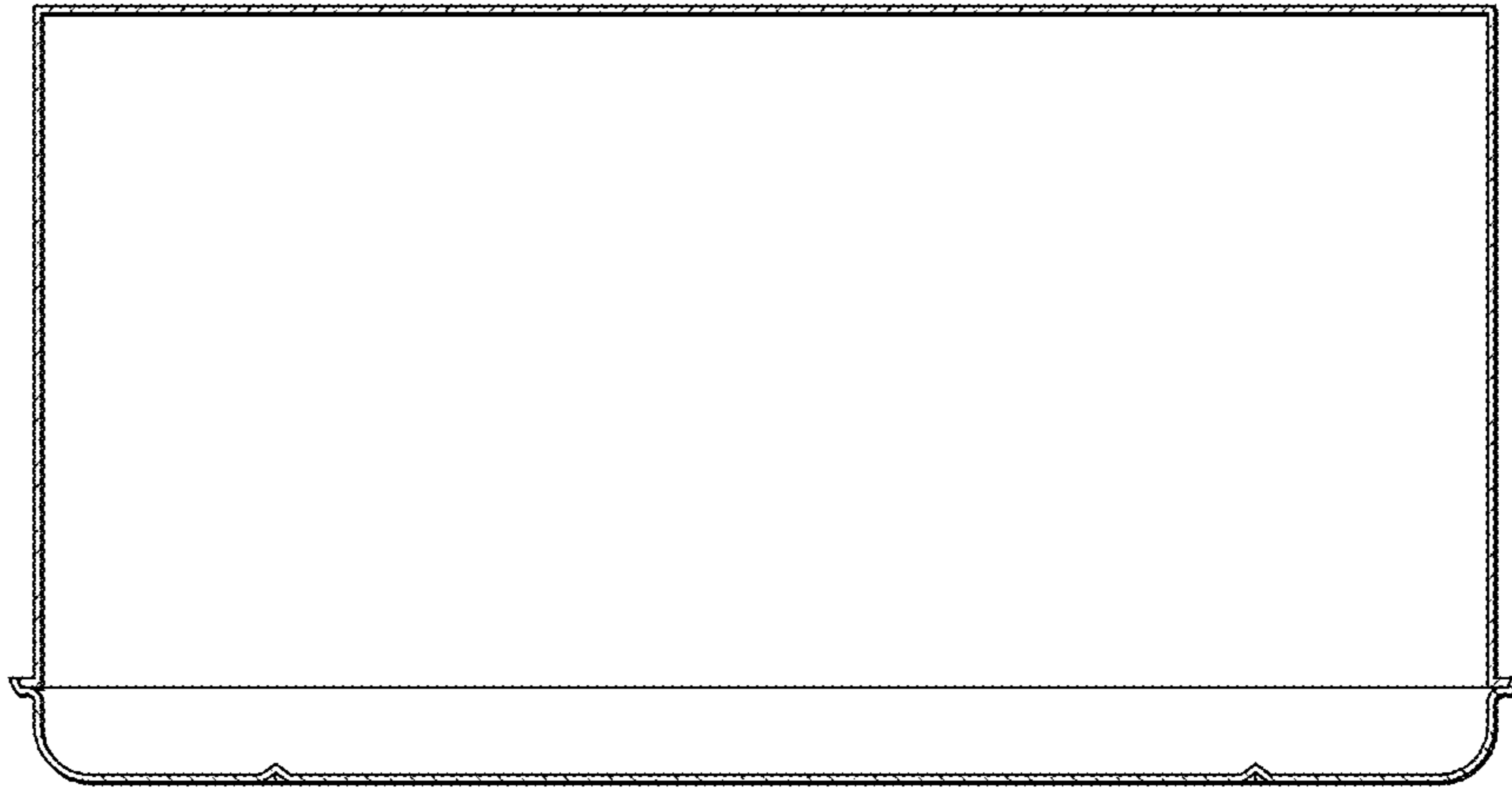


FIG.10

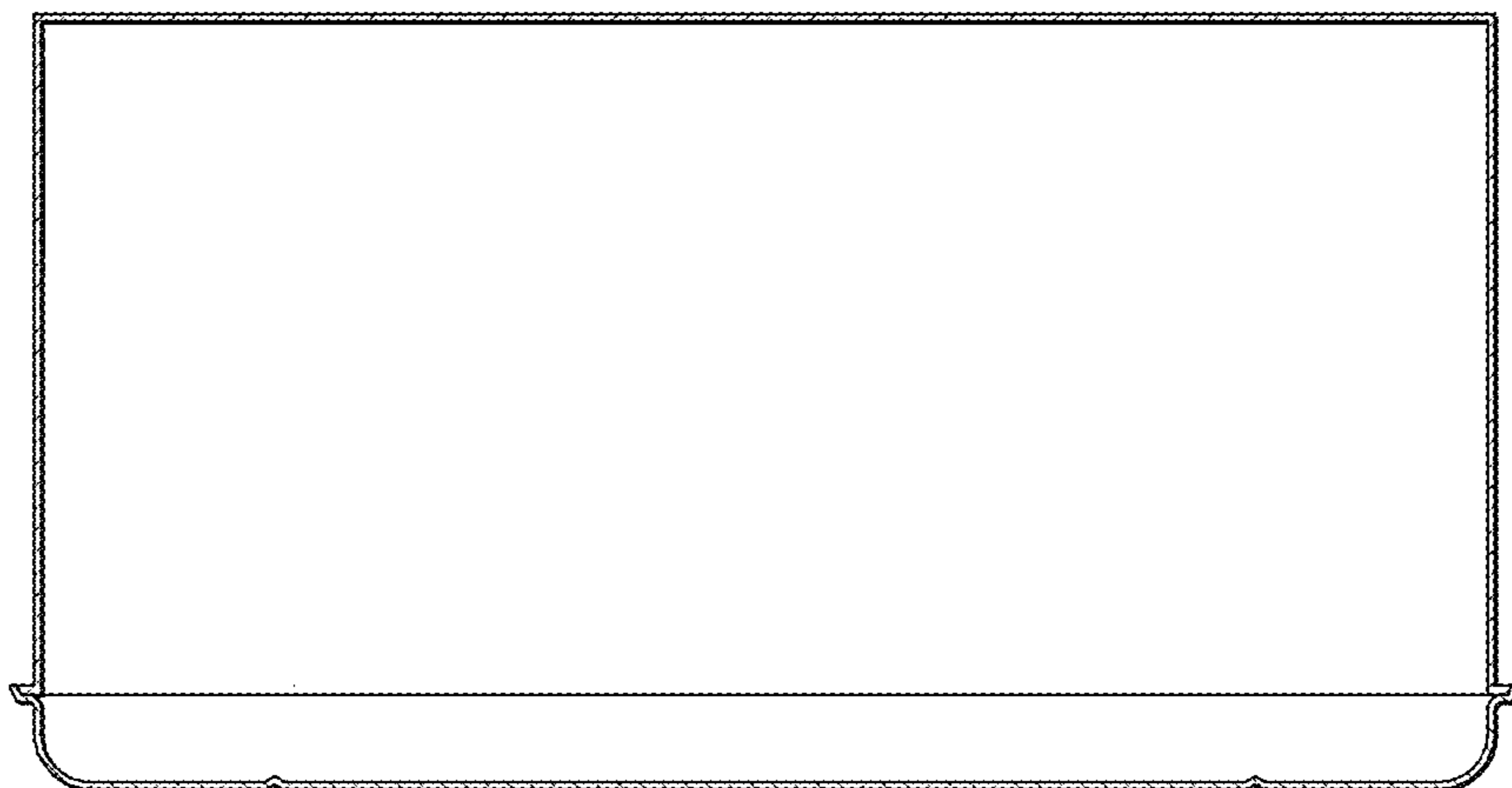


FIG.11

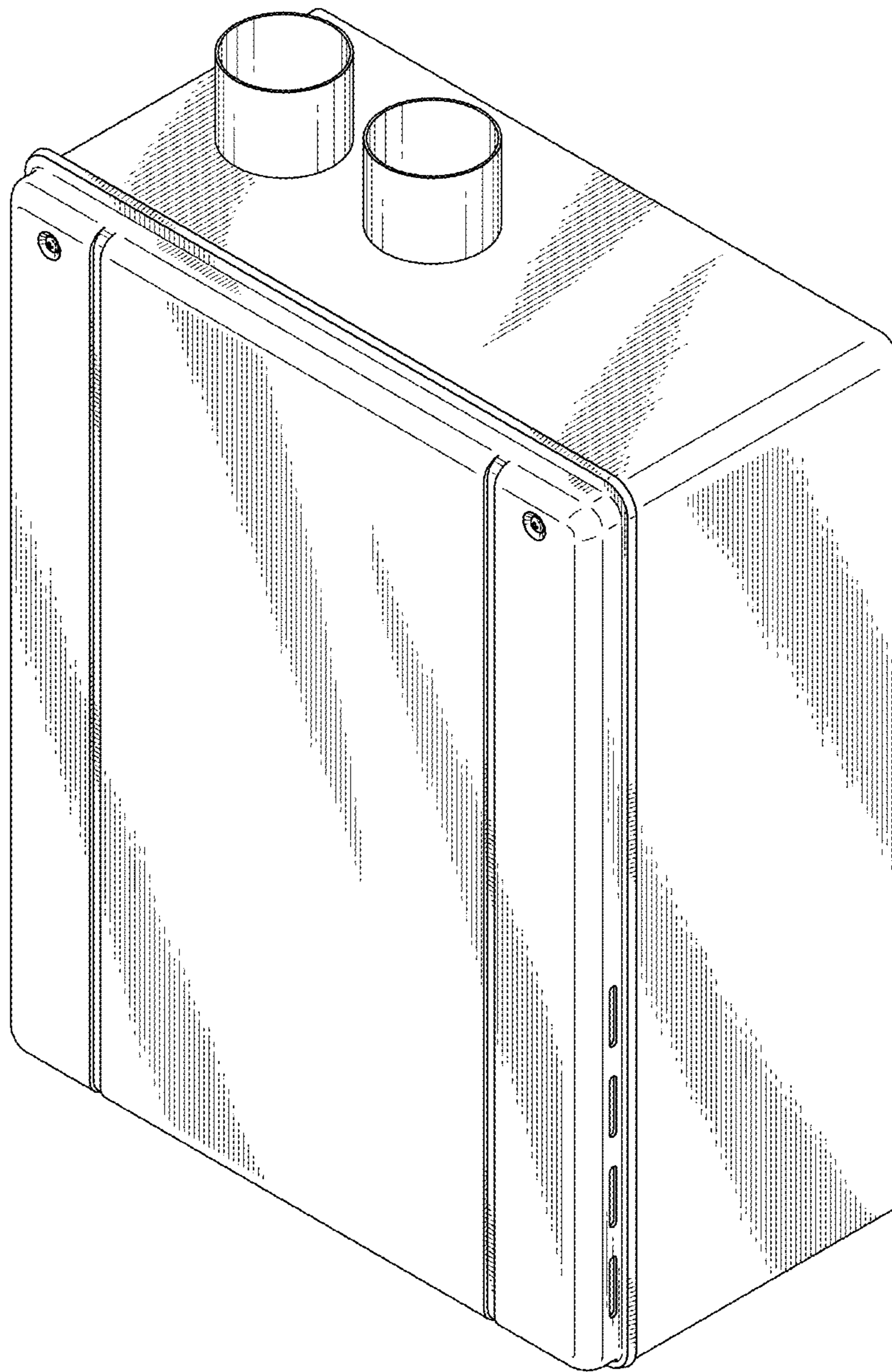


FIG.12

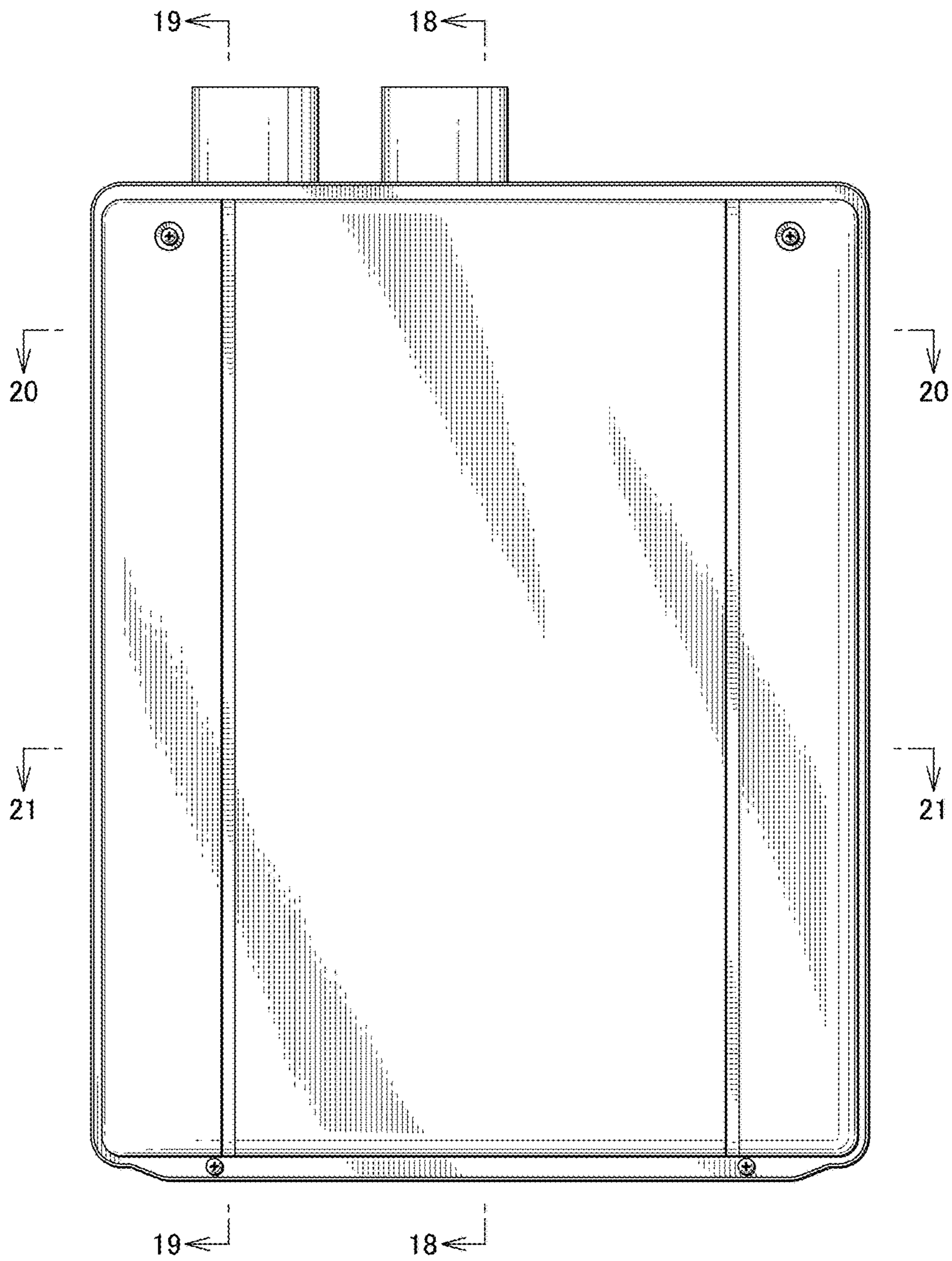




FIG.13

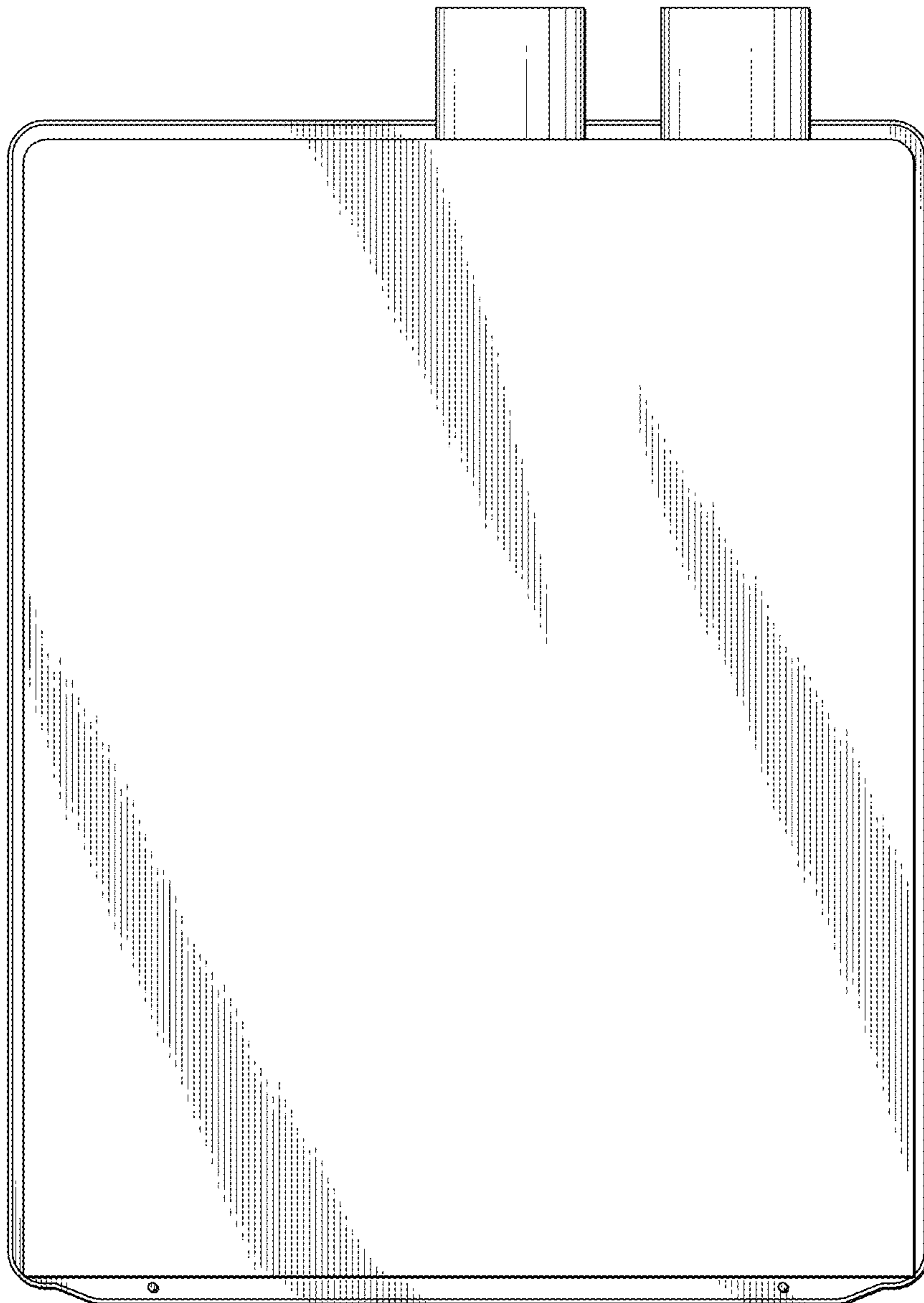


FIG.14

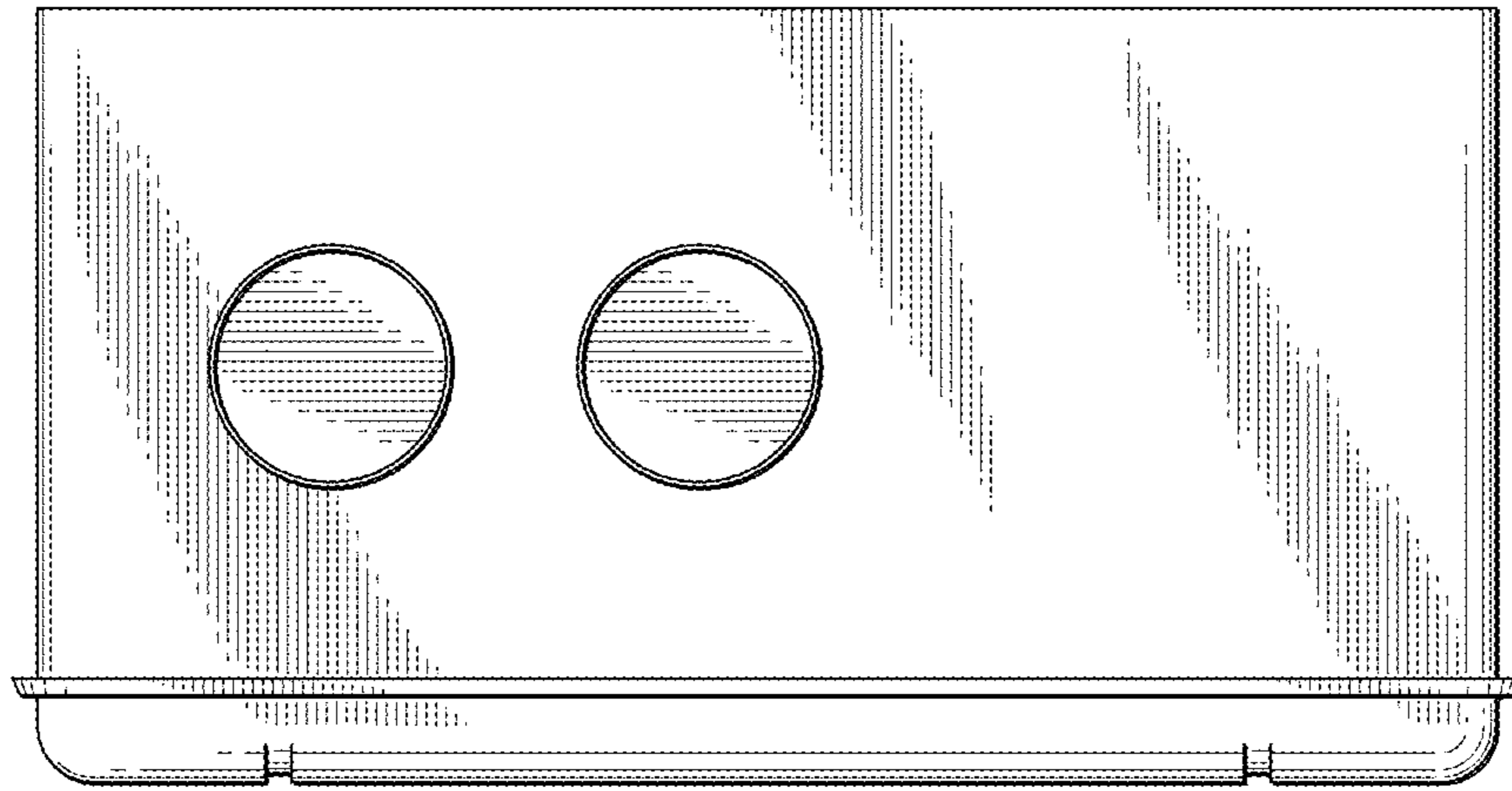


FIG.15

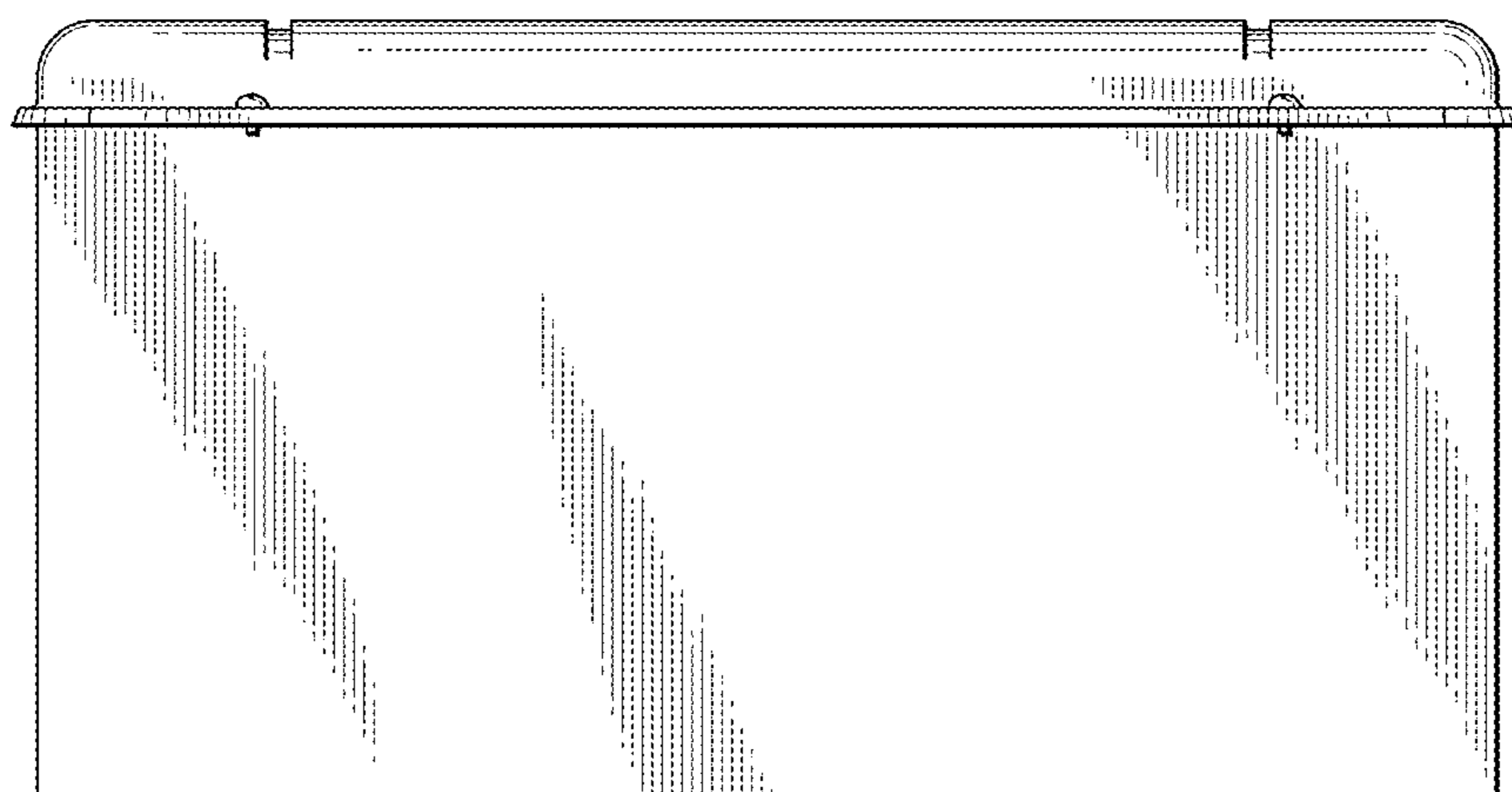


FIG. 16

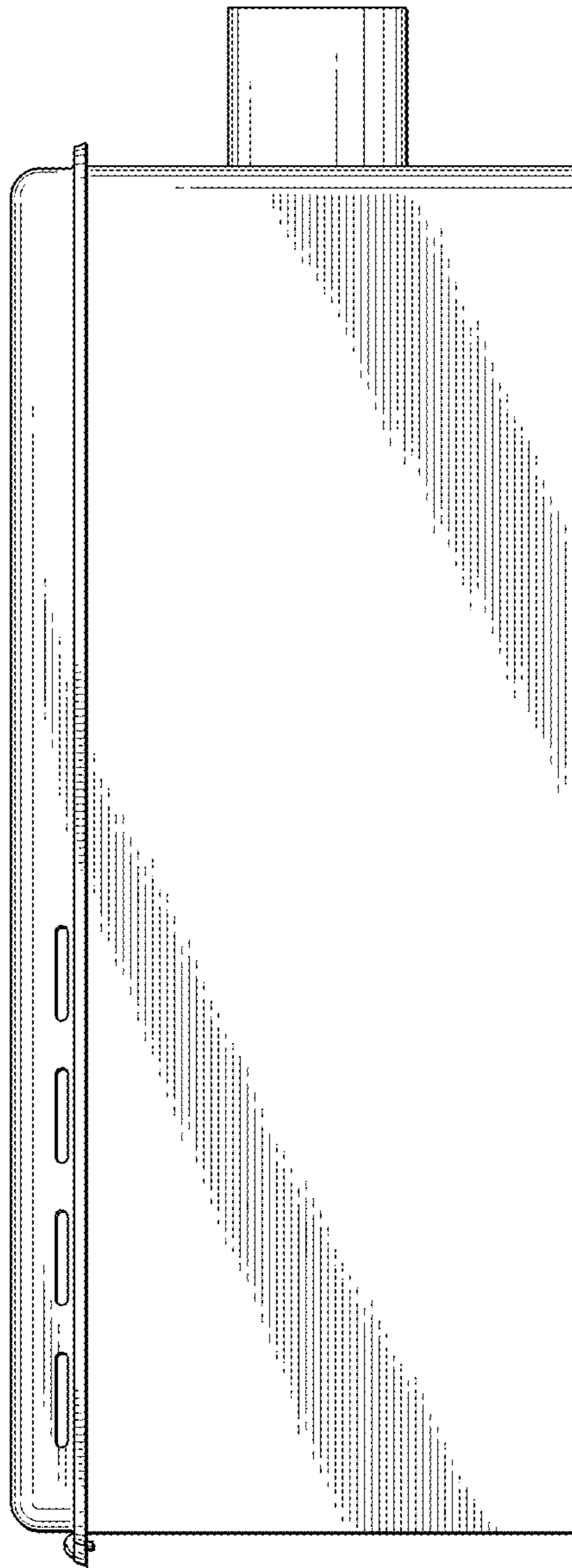


FIG.17

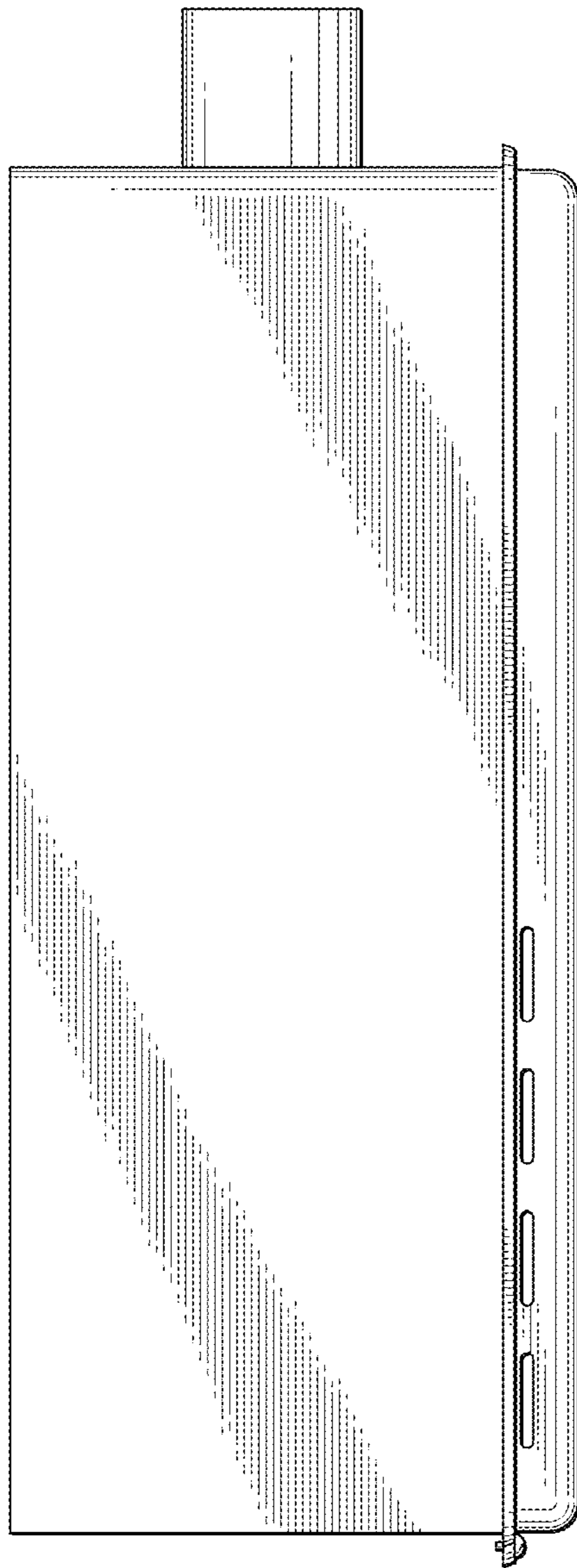




FIG.18

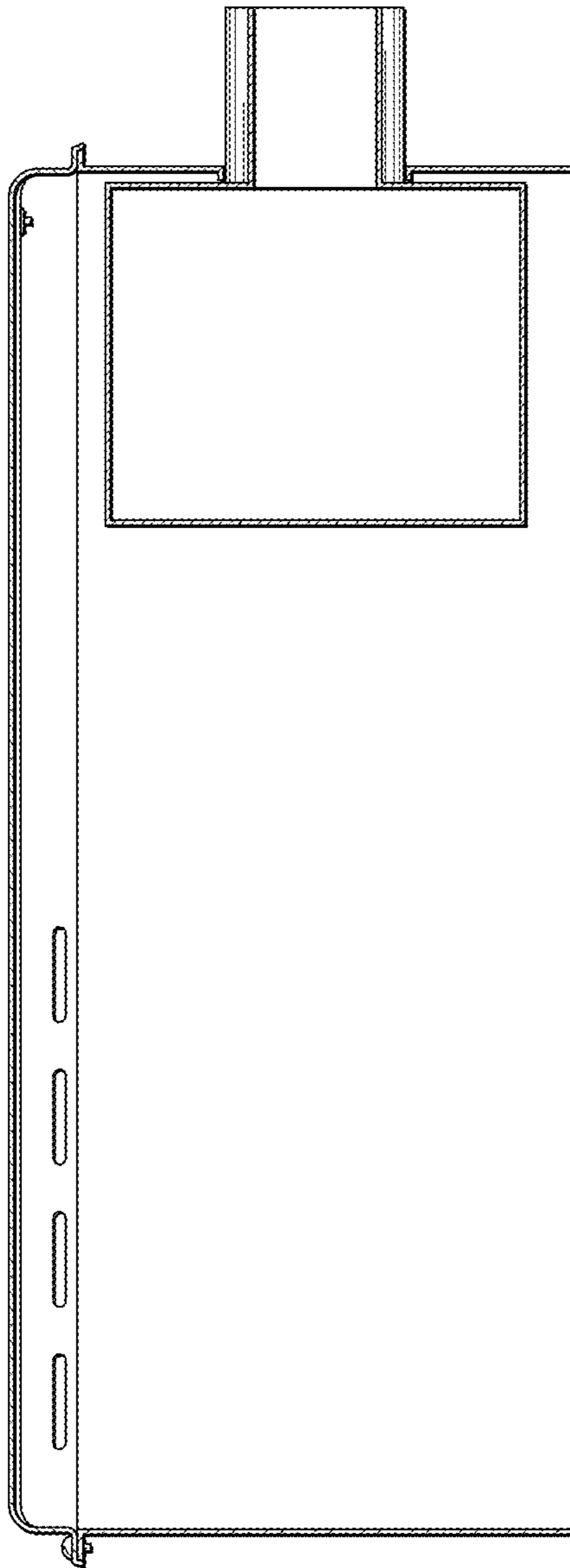


FIG. 19

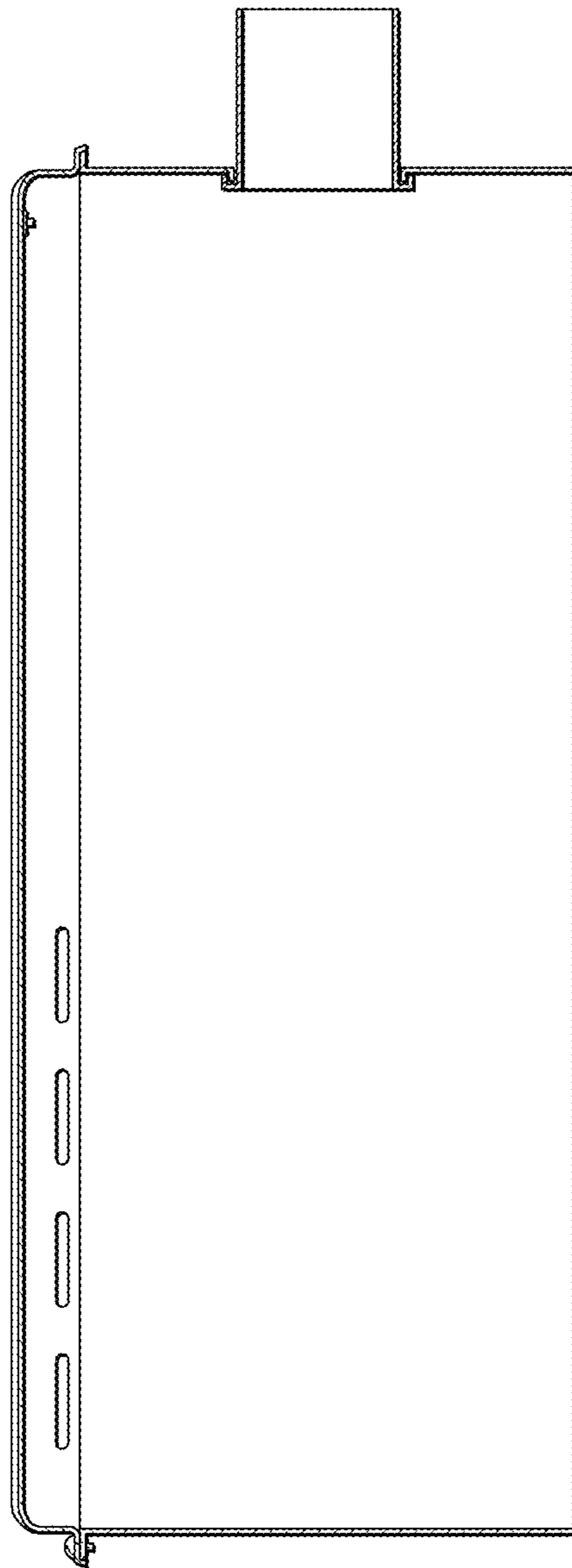


FIG.20

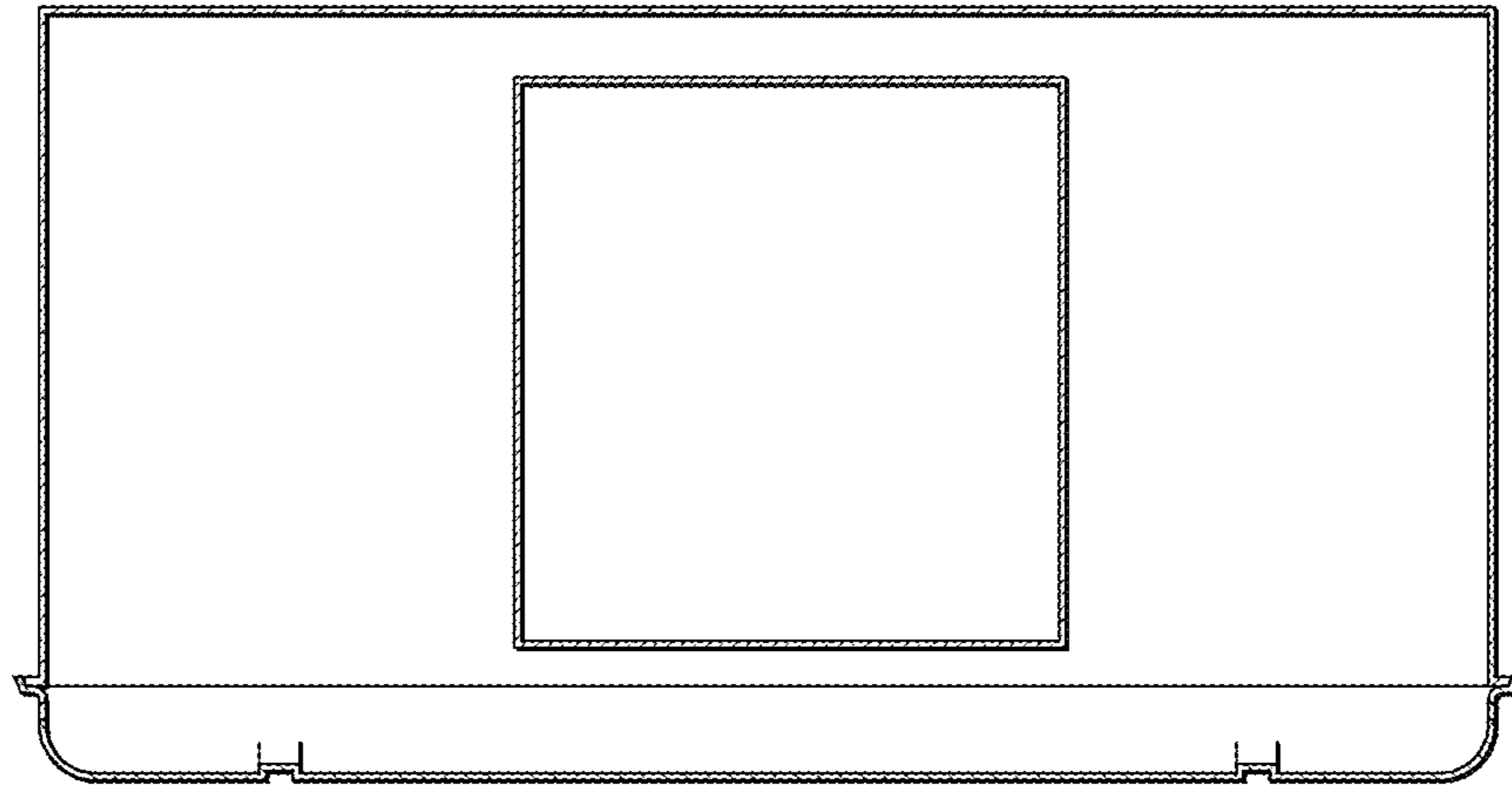


FIG.21

