



US00D833588S

(12) **United States Design Patent** (10) **Patent No.:** **US D833,588 S**
Newman (45) **Date of Patent:** **** Nov. 13, 2018**

(54) **THERMOELECTRIC HEAT PUMP**

(71) Applicant: **Phononic, Inc.**, Durham, NC (US)
(72) Inventor: **Devon Newman**, Morrisville, NC (US)
(73) Assignee: **Phononic, Inc.**, Durham, NC (US)
(**) Term: **15 Years**
(21) Appl. No.: **29/621,713**

(22) Filed: **Oct. 11, 2017**
(51) **LOC (11) Cl.** **23-03**
(52) **U.S. Cl.**
USPC **D23/314**
(58) **Field of Classification Search**
USPC D23/314, 322, 323, 329, 341; D13/145,
D13/146, 147, 154, 162, 120, 133
CPC H05K 7/20418; H05K 7/20427; H05K
7/20509; H05K 7/1452; H01L 35/32;
H01R 13/46
See application file for complete search history.

(56) **References Cited**

U.S. PATENT DOCUMENTS

5,112,238 A * 5/1992 Cizin H05K 7/1452
200/51.1
D432,085 S * 10/2000 Huang D13/147
6,822,874 B1 * 11/2004 Marler H05K 7/1452
361/724
D504,665 S * 5/2005 Lai D13/154
D647,855 S * 11/2011 Chiang D13/146
9,144,180 B2 * 9/2015 Olsson H01L 35/32
2007/0111575 A1 * 5/2007 Jensen H01R 13/6315
439/246
2009/0237619 A1 * 9/2009 Yanagisawa F25B 21/02
353/54
2011/0297203 A1 12/2011 Salvador et al.

(Continued)

FOREIGN PATENT DOCUMENTS

JP 09139525 A 5/1997

OTHER PUBLICATIONS

Levine, Milton, "Putting Solid-State Coolers to Work," Machine Design, vol. 64, Issue 21, Oct. 22, 1992, Tech Briefs: Solid State Coolers, 2 pages.

(Continued)

Primary Examiner — T Chase Nelson
Assistant Examiner — Ania Aman
(74) *Attorney, Agent, or Firm* — Withrow & Terranova, PLLC

(57) **CLAIM**

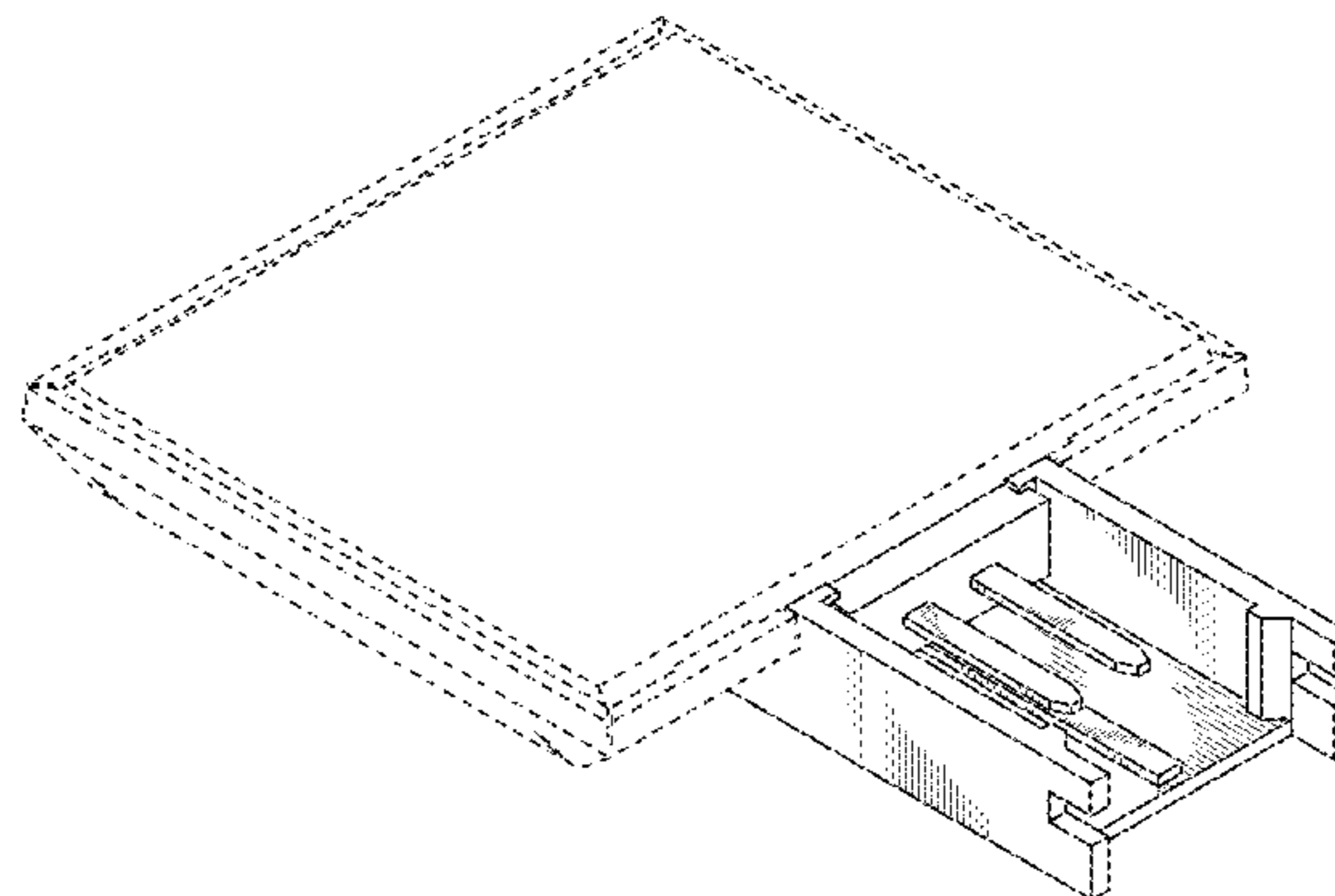
The ornamental design for a thermoelectric heat pump, as shown and described.

DESCRIPTION

FIG. 1 is an upper elevation view of a thermoelectric heat pump showing our new design;
FIG. 2 is a lower perspective view of the thermoelectric heat pump of FIG. 1;
FIG. 3 is a top plan view of the thermoelectric heat pump of FIGS. 1-2;
FIG. 4 is a bottom plan view of the thermoelectric heat pump of FIGS. 1-3;
FIG. 5 is a left side elevation view of the thermoelectric heat pump of FIGS. 1-4;
FIG. 6 is a right side elevation view of the thermoelectric heat pump of FIGS. 1-5;
FIG. 7 is a rear elevation view of the thermoelectric heat pump of FIGS. 1-6; and,
FIG. 8 is a front elevation view of the thermoelectric heat pump of FIGS. 1-7.

Throughout the Figures, the dashed broken lines are included for the purpose of illustrating environment of the design and form no part of the claimed design, and the dot-dash broken lines represent boundaries of the claimed design and form no part of the claimed design.

1 Claim, 8 Drawing Sheets



(56)

References Cited

U.S. PATENT DOCUMENTS

2012/0073309	A1	3/2012	Hung et al.	
2012/0325280	A1	12/2012	Akiyama et al.	
2013/0032189	A1	2/2013	Moczygemba et al.	
2013/0087180	A1	4/2013	Stark et al.	
2013/0199593	A1	8/2013	Higashida et al.	
2013/0227966	A1	9/2013	Ayres et al.	
2013/0269744	A1	10/2013	Maeshima et al.	
2013/0284228	A1	10/2013	Toyoda et al.	
2014/0057495	A1*	2/2014	Liao	H01R 13/4538 439/660
2014/0096808	A1	4/2014	Moczygemba	
2014/0246067	A1	9/2014	Hoppe	
2014/0338714	A1	11/2014	Gille et al.	
2015/0013740	A1	1/2015	Kaibe et al.	
2015/0068575	A1	3/2015	Komitsu	
2015/0107272	A1*	4/2015	Tachibana	F25B 21/02 62/3.6
2015/0116943	A1	4/2015	Olsson et al.	
2015/0171302	A1	6/2015	Himmer	
2015/0204585	A1	7/2015	Won et al.	
2015/0303365	A1	10/2015	Tominaga et al.	

2016/0156285	A1	6/2016	Elgezabal Gomez	
2016/0163947	A1	6/2016	Lee et al.	
2018/0010827	A1*	1/2018	Gillen	F25B 21/02

OTHER PUBLICATIONS

Restriction Requirement for U.S. Appl. No. 29/515,980, dated May 2, 2017, 4 pages.

Quayle Action for U.S. Appl. No. 29/515,980, dated Jul. 11, 2017, 5 pages.

Decision of Registration and Notification for Japanese Design Patent Application No. 2015-014832, dated Nov. 10, 2015, 4 pages.

Decision of Registration and Notification for Japanese Design Patent Application No. 2015-014833, dated Nov. 10, 2015, 4 pages.

Preliminary Rejection for Korean Patent Application No. 30-2015-0032167, dated Dec. 17, 2015, 3 pages.

Preliminary Rejection for Korean Patent Application No. 30-2015-0032168, dated Dec. 17, 2015, 3 pages.

Preliminary Rejection for Korean Patent Application No. 30-2015-0032169, dated Dec. 17, 2015, 3 pages.

Notice of Allowance for U.S. Appl. No. 29/515,980, dated Dec. 18, 2017, 7 pages.

* cited by examiner

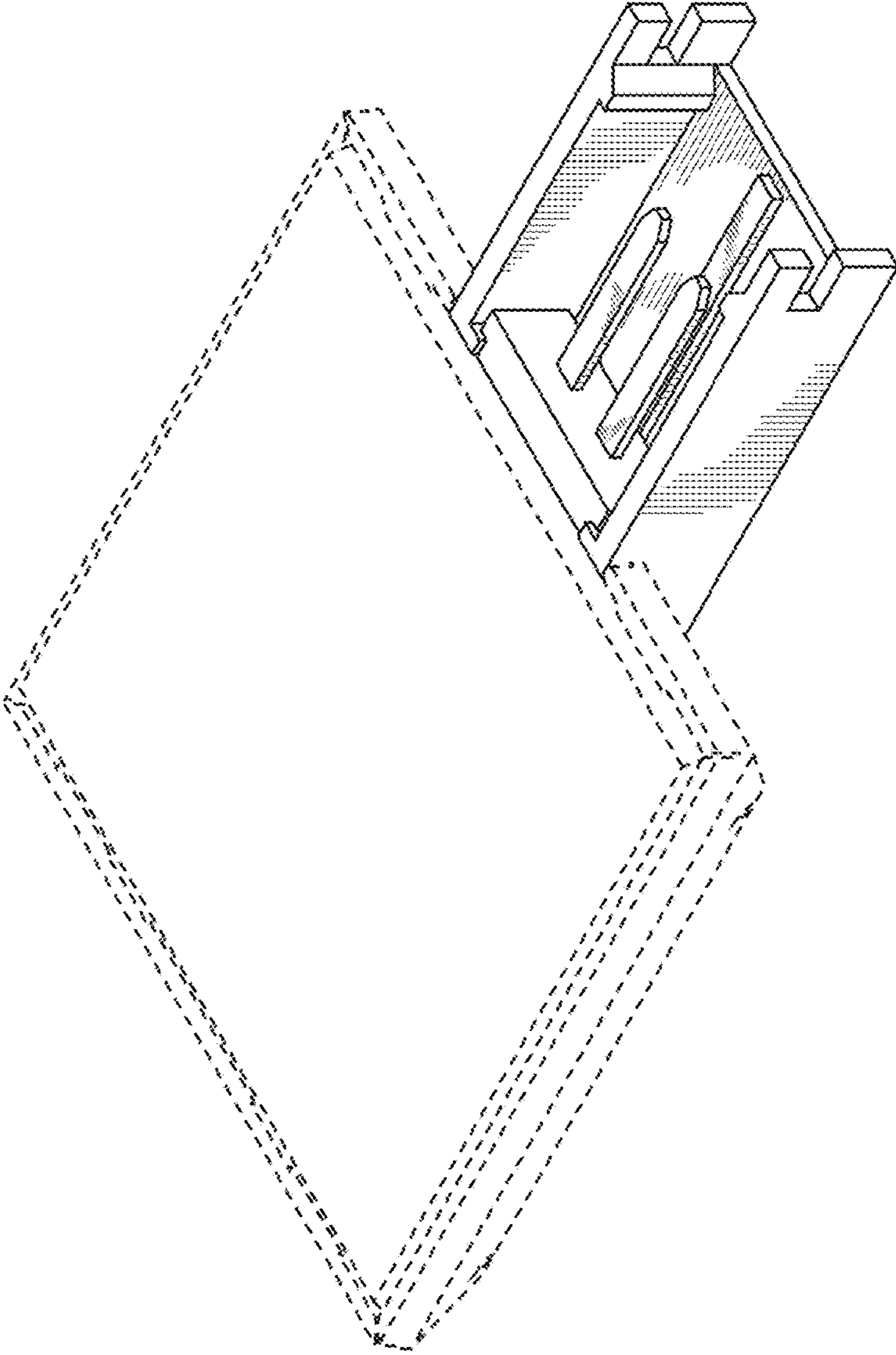


FIG. 1

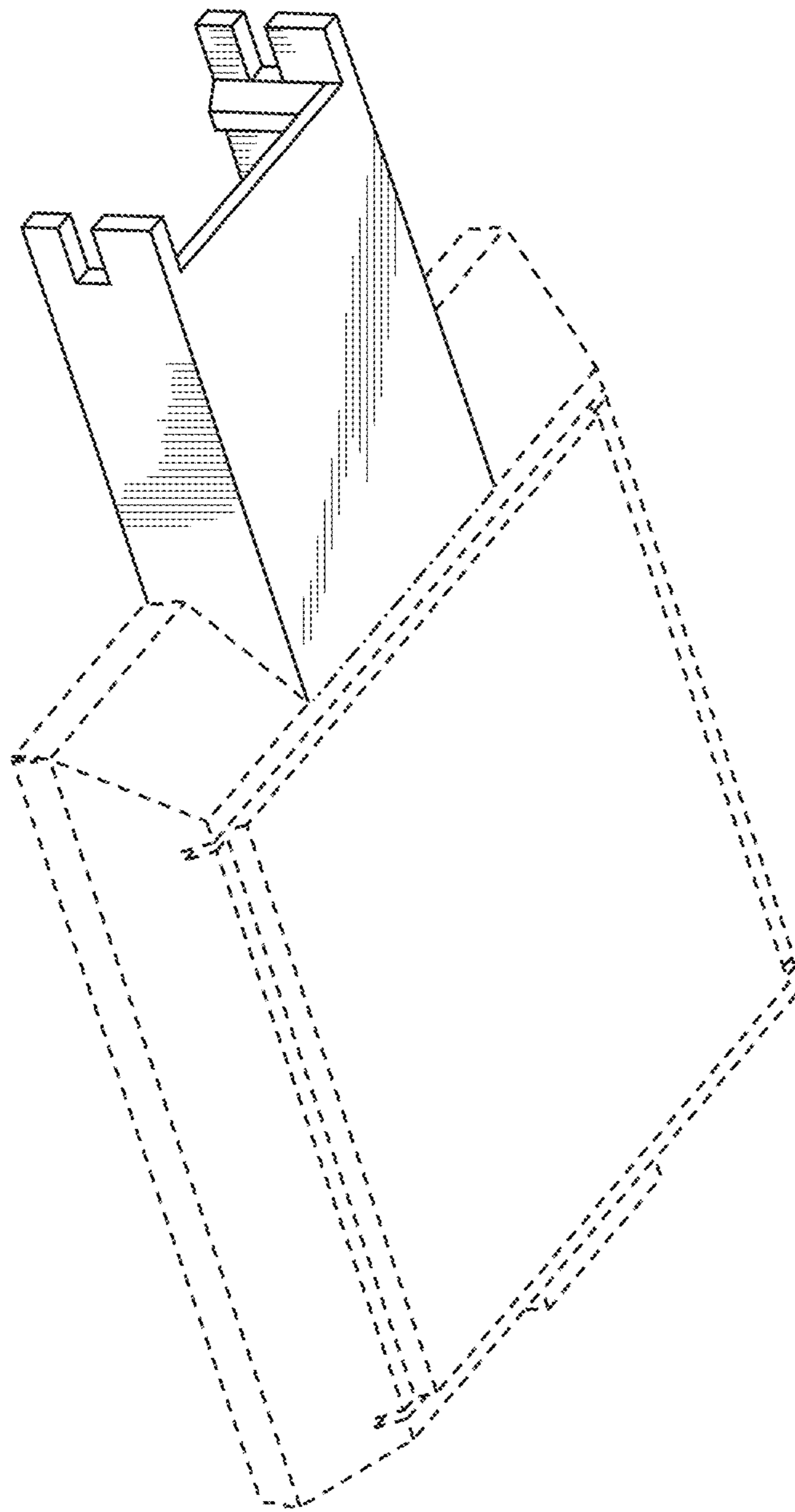


FIG. 2

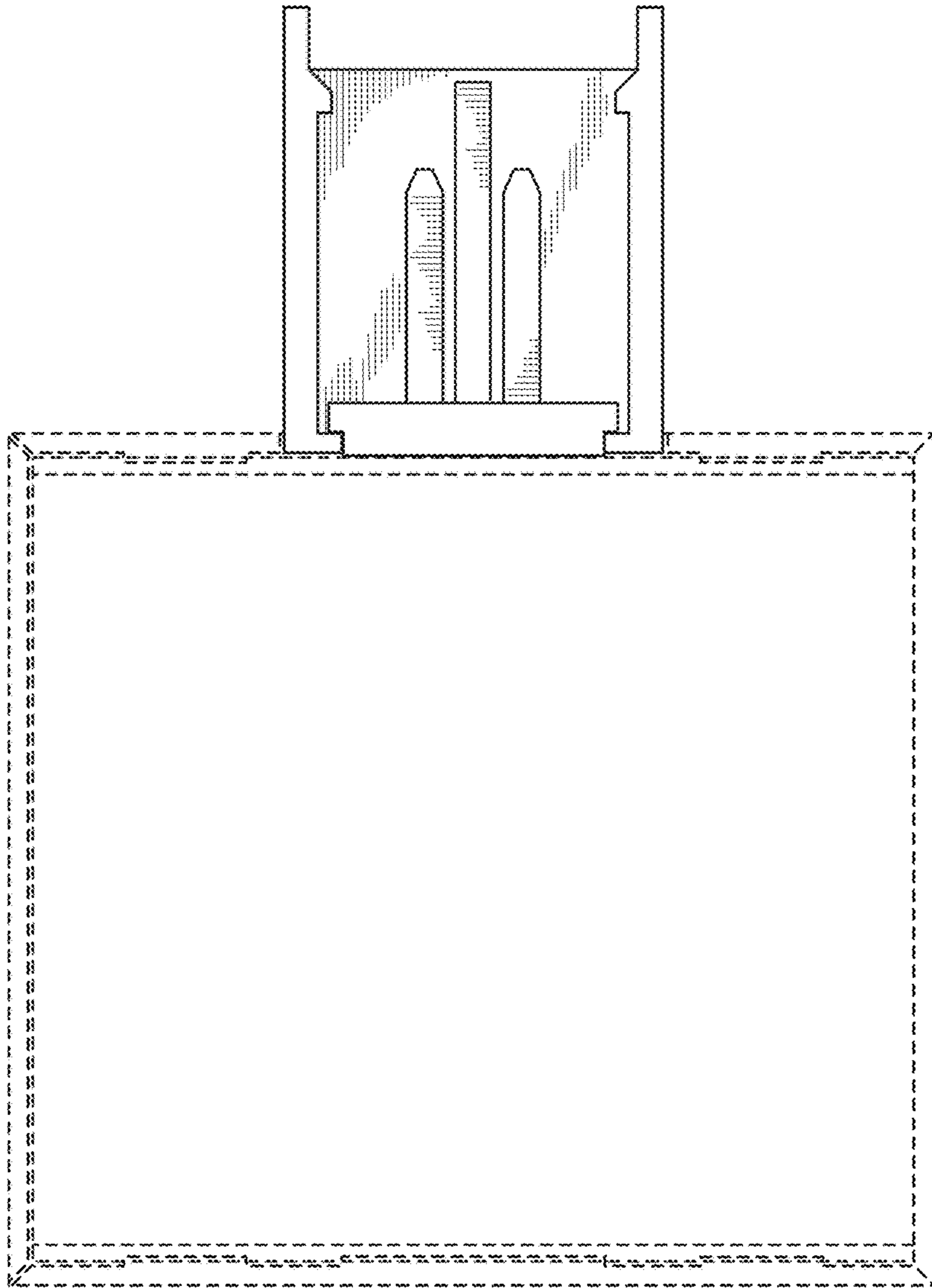


FIG. 3

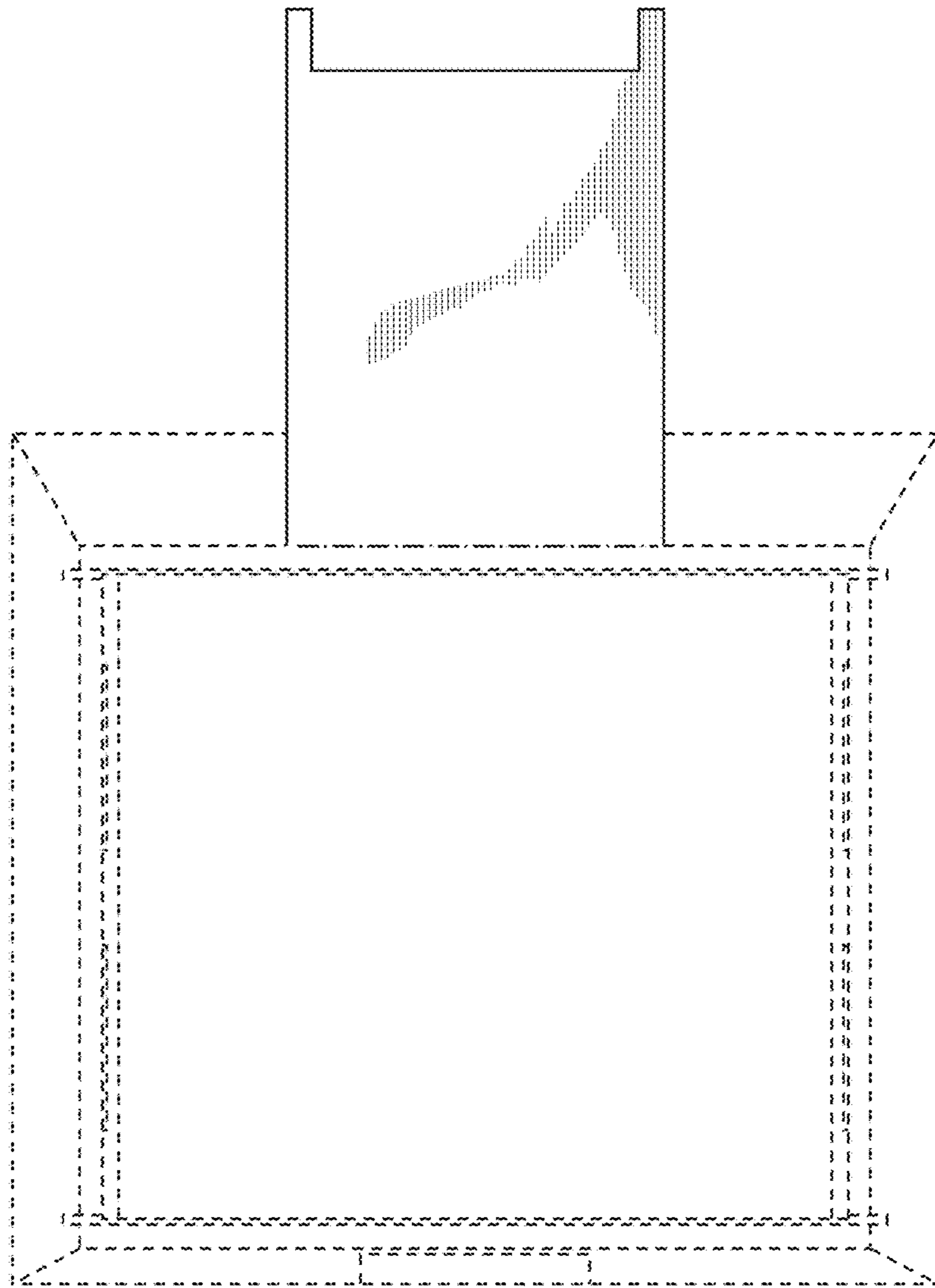


FIG. 4

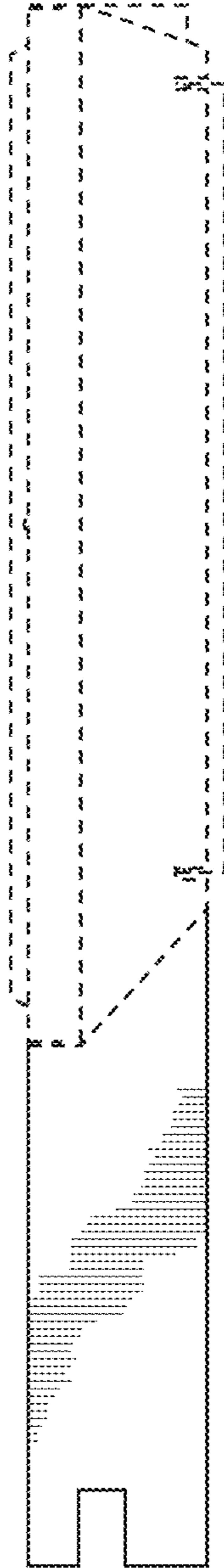


FIG. 5

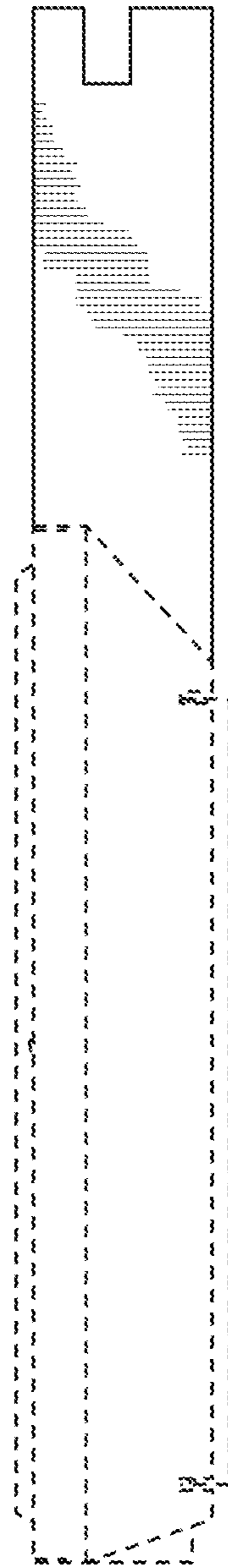


FIG. 6

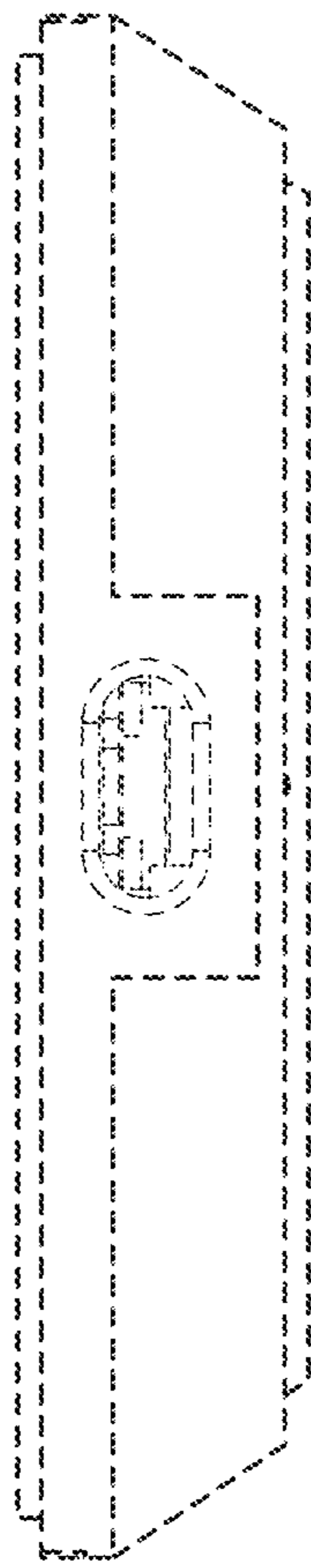


FIG. 7

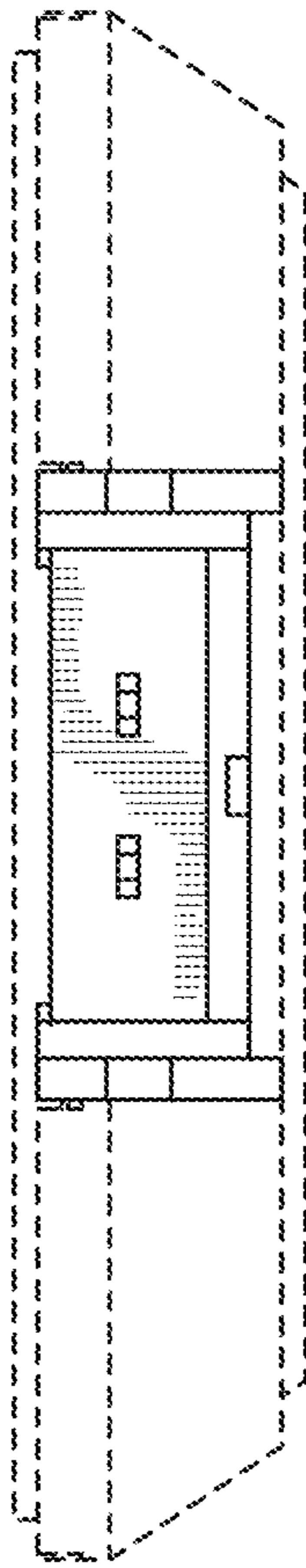


FIG. 8