

US00D833587S

(12) **United States Design Patent** (10) **Patent No.:** **US D833,587 S**
Neumann (45) **Date of Patent:** **** Nov. 13, 2018**

(54) **RAIN GUTTER**
(71) Applicant: **Horst Neumann, Coombs (CA)**
(72) Inventor: **Horst Neumann, Coombs (CA)**
(**) Term: **15 Years**
(21) Appl. No.: **29/607,663**
(22) Filed: **Jun. 15, 2017**
(51) **LOC (11) Cl.** **23-01**
(52) **U.S. Cl.**
USPC **D23/267**
(58) **Field of Classification Search**
USPC D23/259-269; 52/11-12, 13, 14, 15, 24,
52/25, 302.3, 302.7; 248/48.1-48.2;
D25/136, 138, 141-142, 164
CPC . E04D 13/0767; E04D 13/072; E04D 13/076;
E04D 13/08; E04D 13/064
See application file for complete search history.

5,890,324 A 4/1999 Maanum
D425,605 S * 5/2000 Palmisano D23/267
6,151,836 A 11/2000 McGlothlin
D454,180 S * 3/2002 Wessels D23/267
D483,443 S * 12/2003 Forsberg D23/267
7,208,081 B2 4/2007 Jones
D552,218 S * 10/2007 Alldredge D23/267
D586,437 S * 2/2009 Cangialosi D23/267
D586,439 S * 2/2009 Porter D23/267
7,740,755 B2 6/2010 Wilson
8,322,082 B2 12/2012 Neumann
D674,889 S * 1/2013 Mims D23/386
8,800,211 B2 8/2014 Sharkey

(Continued)

FOREIGN PATENT DOCUMENTS

CA 1194672 A 10/1985
CN 102900205 A 1/2013

(Continued)

Primary Examiner — Eric L Goodman
Assistant Examiner — Amy C Wierenga
(74) *Attorney, Agent, or Firm* — Talus Law Group LLC

(56) **References Cited**
U.S. PATENT DOCUMENTS

870,165 A 12/1907 Hagler
2,006,471 A 7/1935 McCoy et al.
2,120,395 A 6/1938 Dean
2,175,138 A 10/1939 Westlake, Jr.
3,053,393 A 9/1962 McLean
3,248,827 A 5/1966 Hardy
3,300,911 A 1/1967 Riddell
D217,247 S * 4/1970 Brown D23/267
3,805,460 A 4/1974 Middleby
3,889,474 A 6/1975 Frangmeier
3,967,419 A 7/1976 Robinson
D241,104 S * 8/1976 Copeland D25/119
4,028,895 A 6/1977 Frangmeier
4,632,342 A 12/1986 Skinner
5,522,183 A 6/1996 Allen
5,588,261 A 12/1996 MacConochie
5,799,445 A 9/1998 Kock

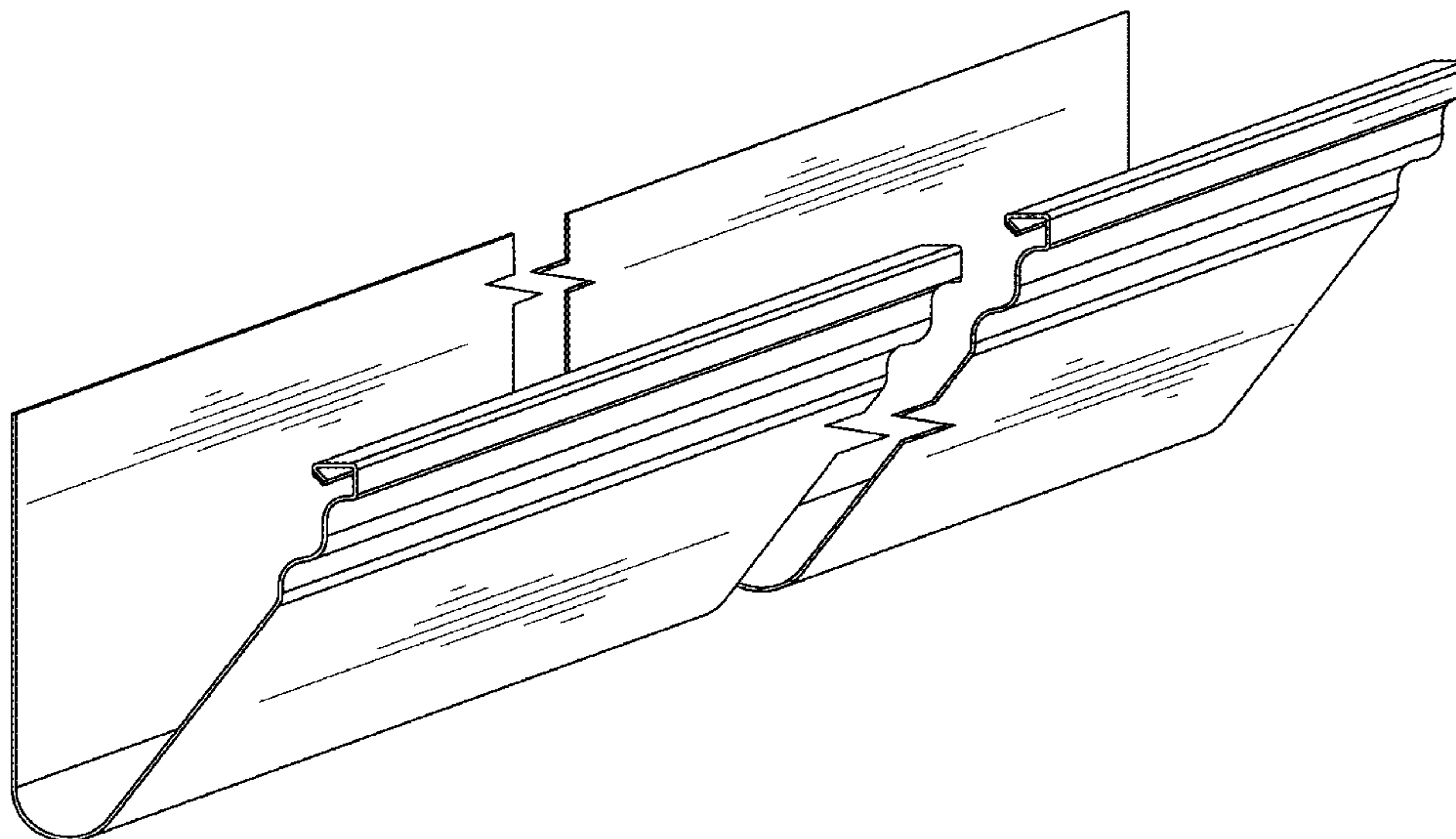
(57) **CLAIM**

The ornamental design for a rain gutter, as shown and described.

DESCRIPTION

FIG. 1 is a perspective view of the rain gutter showing the new design;
FIG. 2 is a top view thereof;
FIG. 3 is a bottom view thereof;
FIG. 4 is a front view thereof;
FIG. 5 is a back view thereof; and,
FIG. 6 is a side view thereof.
FIGS. 1-5 are shown with a symbolic break in their length. The appearance of any portion of the article between the break lines forms no part of the claimed design.

1 Claim, 6 Drawing Sheets



(56)

References Cited

U.S. PATENT DOCUMENTS

D726,888 S * 4/2015 Johansen D23/267
2006/0053696 A1 4/2006 Gramling
2006/0248805 A1 11/2006 Gentry
2007/0125006 A1 6/2007 Fitzpatrick
2010/0126078 A1 5/2010 Leahy
2011/0099916 A1 5/2011 Minor
2011/0138697 A1* 6/2011 Martin E04D 13/0725
52/12
2012/0047818 A1 3/2012 Lopez
2016/0060870 A1* 3/2016 Martin E04D 13/064
52/12
2016/0168857 A1* 6/2016 Neumann E04D 13/076
52/16

FOREIGN PATENT DOCUMENTS

DE 20017101 U1 3/2001
DE 102004021898 A1 12/2005
EP 0536786 A1 4/1993
WO WO 89/03465 4/1989

* cited by examiner

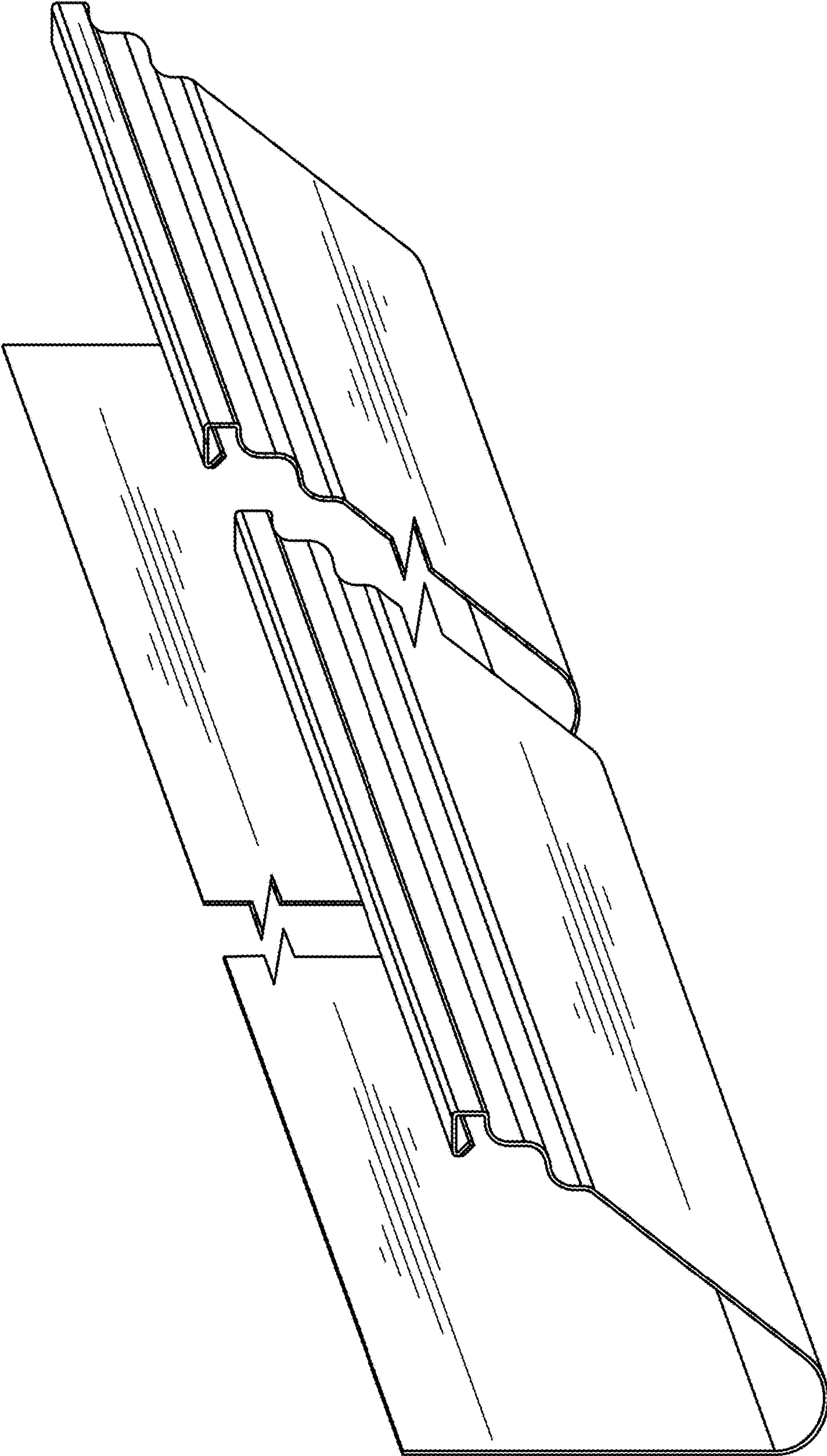


FIG. 1

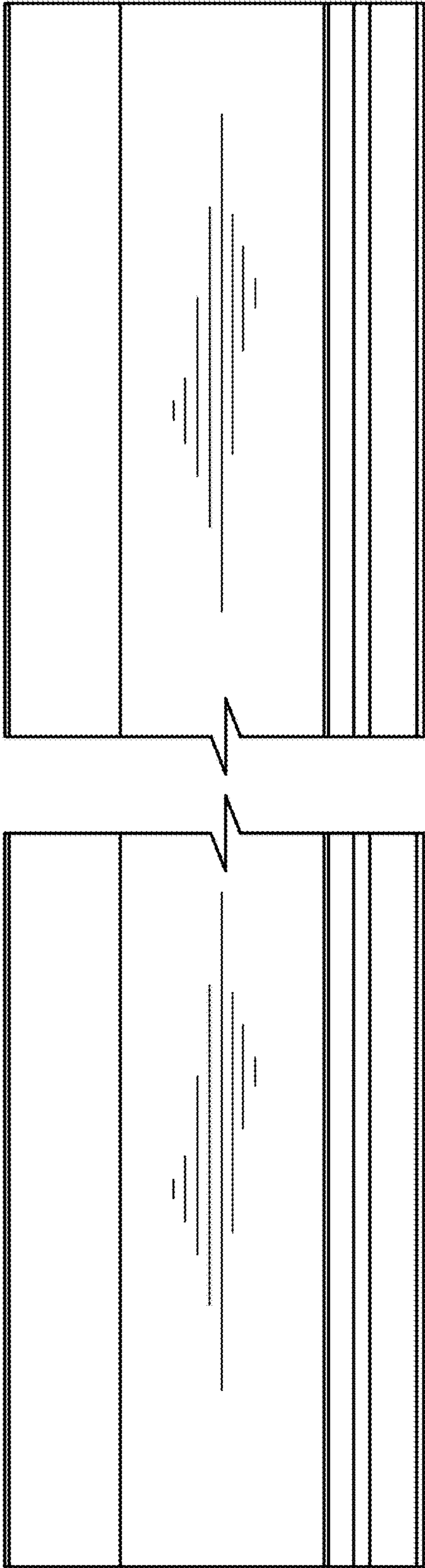


FIG. 2

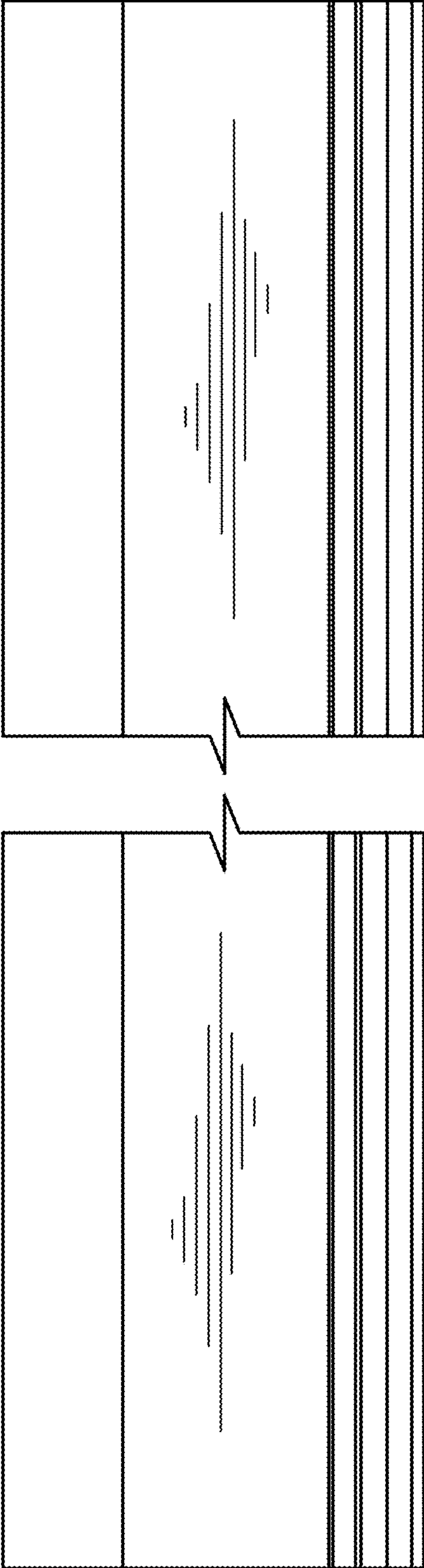


FIG. 3

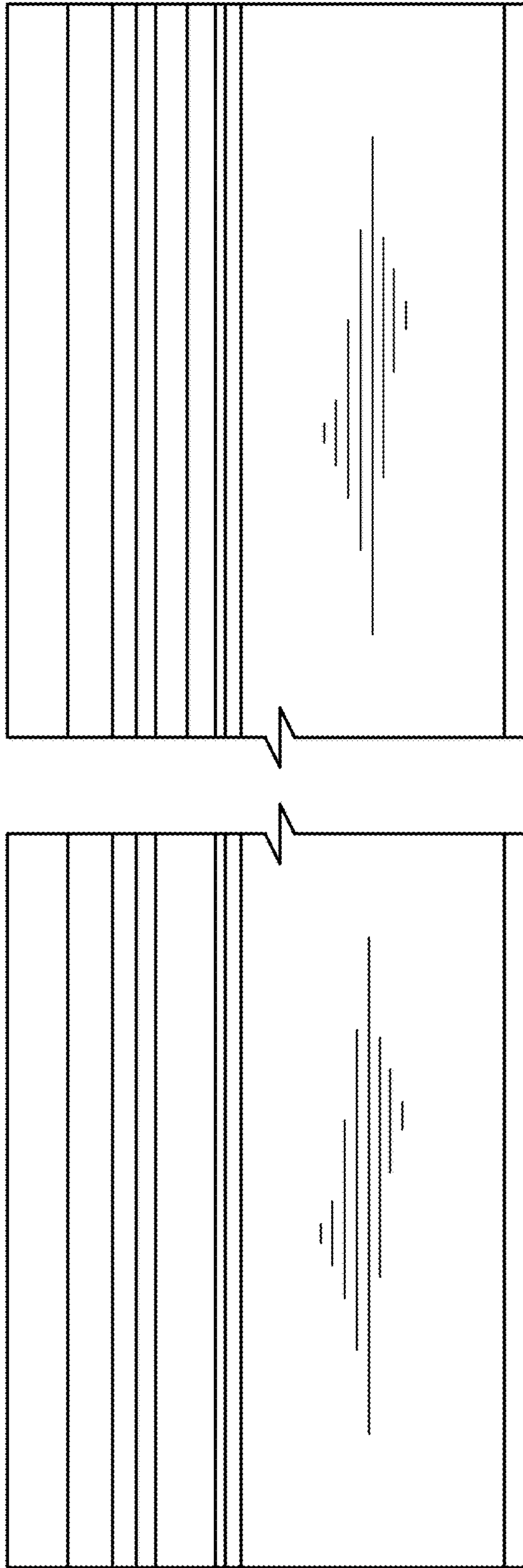


FIG. 4

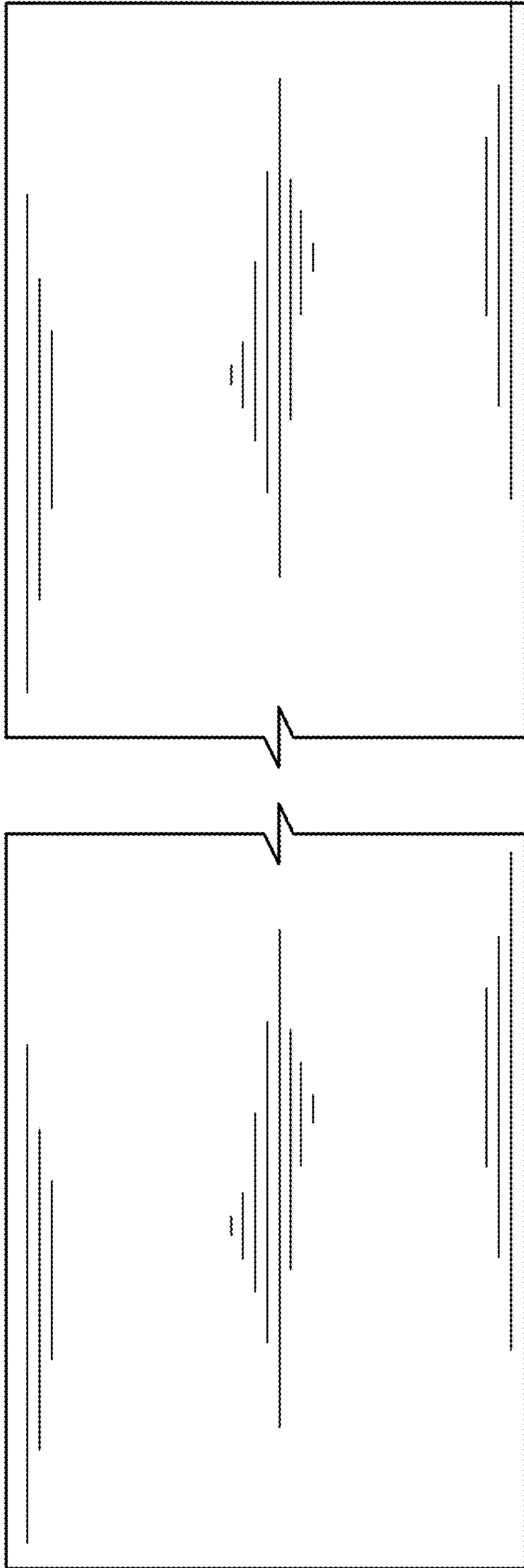


FIG. 5

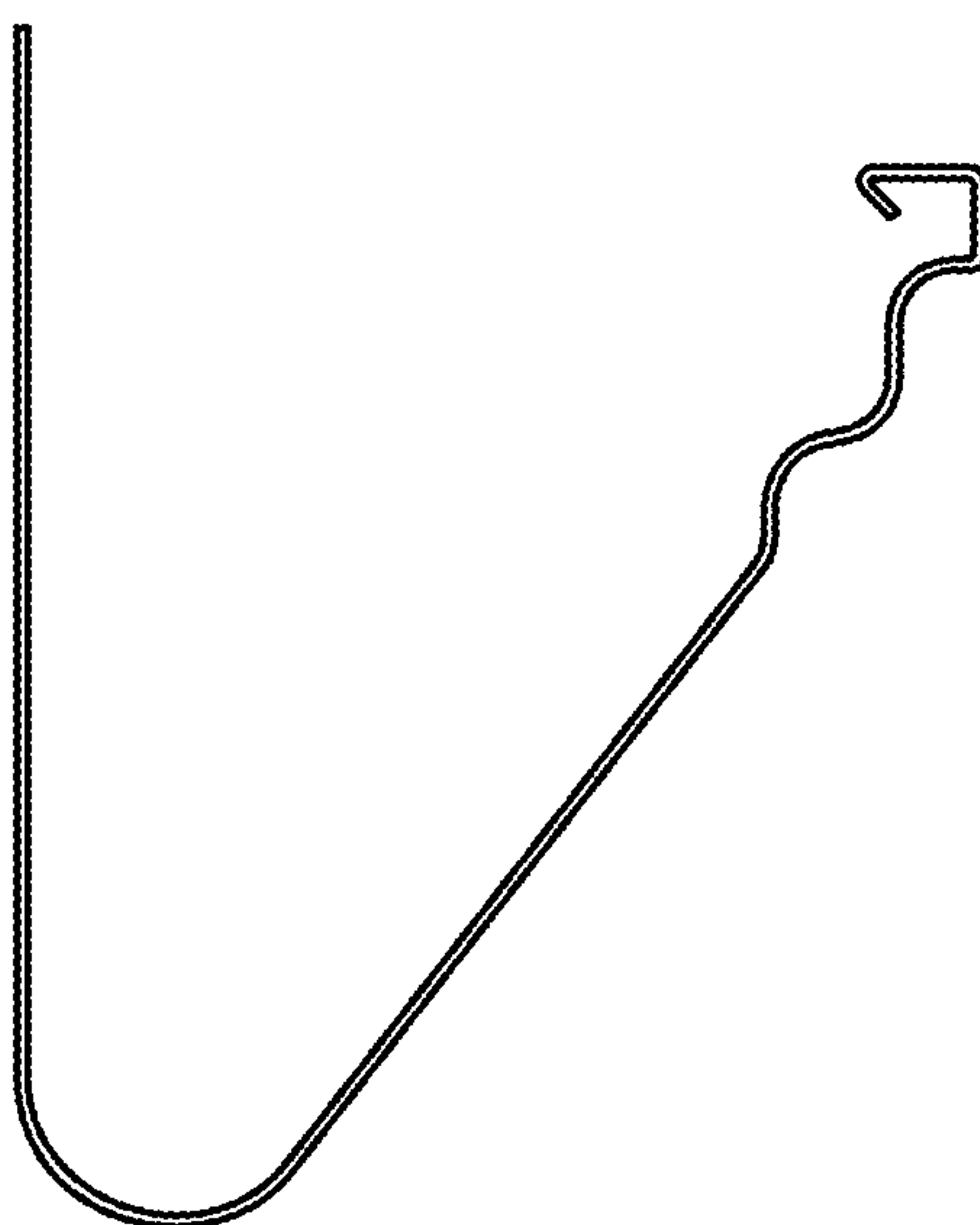


FIG. 6