



US00D833584S

(12) **United States Design Patent**
Levi

(10) **Patent No.:** **US D833,584 S**

(45) **Date of Patent:** **** Nov. 13, 2018**

(54) **DRAIN CAP**

(71) Applicant: **ICG Licensing LLC**, Port Washington, NY (US)

(72) Inventor: **Russell Levi**, Greenvale, NY (US)

(73) Assignee: **ICG LICENSING LLC**, Port Washington, NY (US)

(**) Term: **15 Years**

(21) Appl. No.: **29/610,585**

(22) Filed: **Jul. 13, 2017**

(51) **LOC (11) Cl.** **23-01**

(52) **U.S. Cl.**
USPC **D23/260**

(58) **Field of Classification Search**
USPC D23/259–261, 267–268, 388, 397, 400, D23/406; 404/2–4; 210/163–164, 166; 454/275–277, 284, 289, 291; 4/613, 287, 4/679, 680–684, 689–694, 671–673; D9/454

CPC E03C 1/12; E03C 1/20; E03C 1/23; E03C 1/26; E03C 1/262; E03C 1/284; E03C 1/2302; E03C 1/2306; E03C 1/2001; E03C 1/2413; E03C 2001/2413; E03F 5/0408; E03F 5/06; E03F 5/00407; E03F 5/052; A47K 1/14; A47K 3/405; A47K 3/40

See application file for complete search history.

(56) **References Cited**

U.S. PATENT DOCUMENTS

1,574,288 A * 2/1926 Hohmeister E03D 13/00 210/459
D210,826 S * 4/1968 Kaiser 138/89
D363,769 S * 10/1995 Phillips D23/261

D372,519 S * 8/1996 Jones D23/261
D401,675 S * 11/1998 Stute D23/260
D440,639 S * 4/2001 Donnelly D23/260
D443,040 S * 5/2001 Fabian D23/249
D589,333 S * 3/2009 Nakazato D8/382
D756,222 S * 5/2016 Lopez D23/260
D763,083 S * 8/2016 Seybel D9/454
D801,176 S * 10/2017 Lynd D9/454
2014/0201902 A1 * 7/2014 Stimpson E03F 5/0407 4/613
2014/0259380 A1 * 9/2014 Eilmus E03C 1/22 4/650

* cited by examiner

Primary Examiner — Eric L Goodman

Assistant Examiner — Amy C Wierenga

(74) *Attorney, Agent, or Firm* — Carter, DeLuca, Farrell & Schmidt, LLP

(57) **CLAIM**

The ornamental design for a drain cap, as shown and described.

DESCRIPTION

FIG. 1 is a front perspective view of a drain cap in accordance with the present design;

FIG. 2 is a back perspective view thereof;

FIG. 3 is a front elevational view thereof;

FIG. 4 is a rear elevational view thereof;

FIG. 5 is a right side elevational view thereof;

FIG. 6 is a left side elevational view thereof;

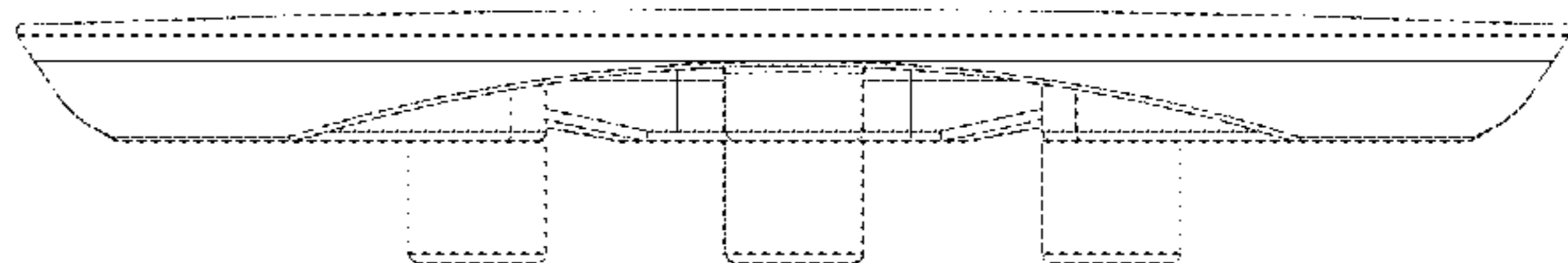
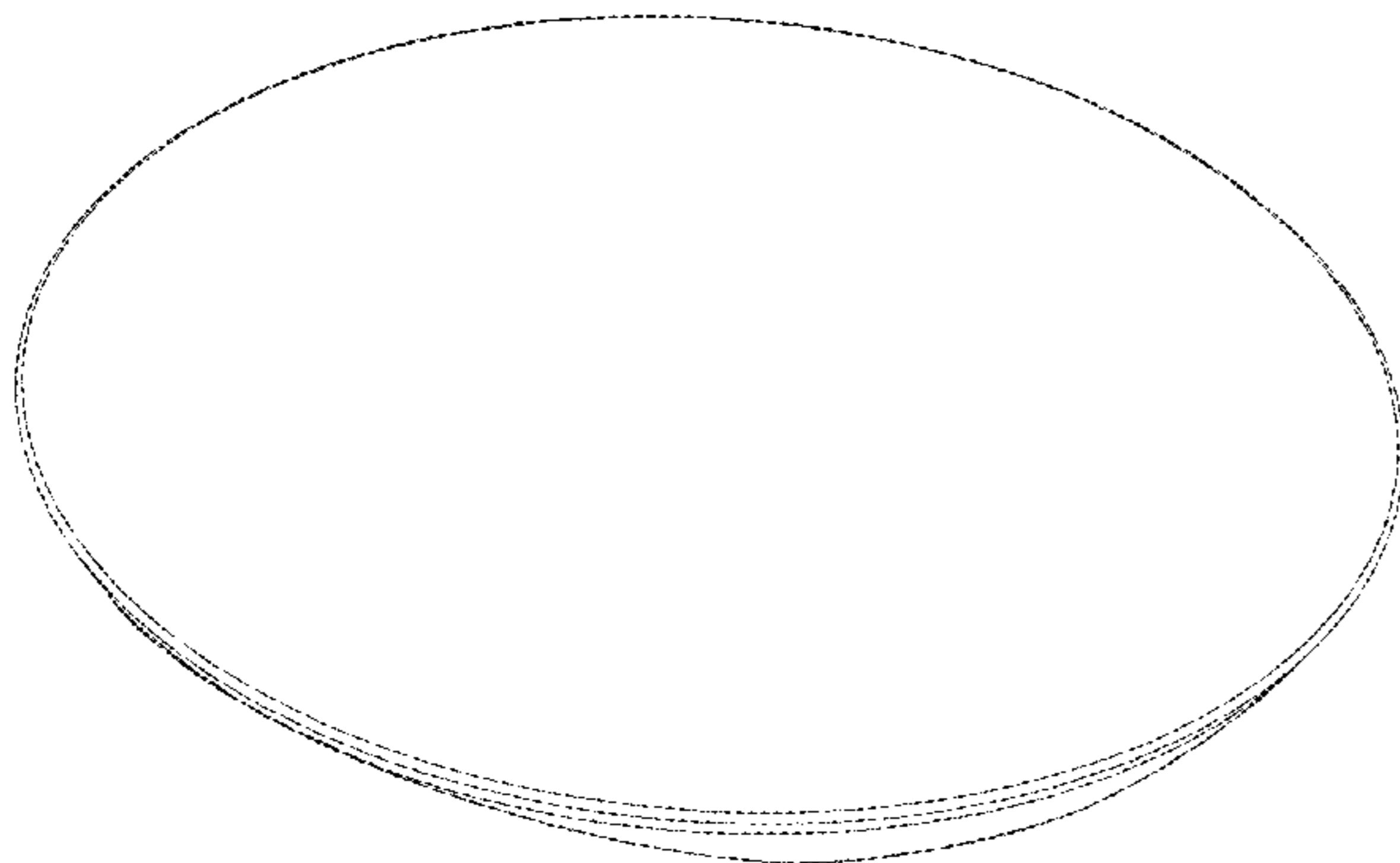
FIG. 7 is a top plan view thereof;

FIG. 8 is a bottom plan view thereof; and,

FIG. 9 is a front perspective view of the drain cap in accordance with the present design in the environment of a sink.

The sink shown in broken lines in FIG. 9 illustrate environment only that form no part of the claim.

1 Claim, 9 Drawing Sheets



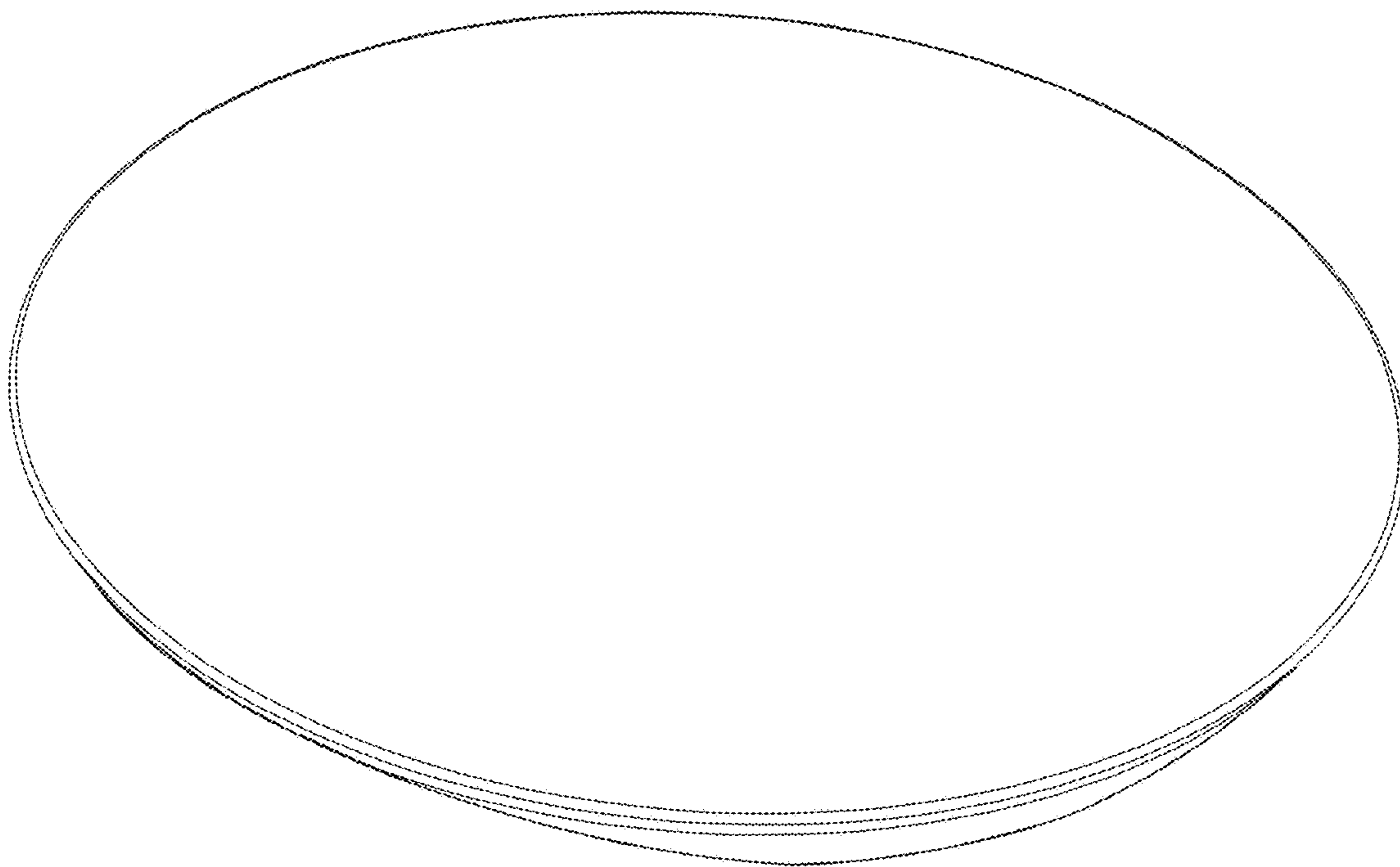


FIG. 1

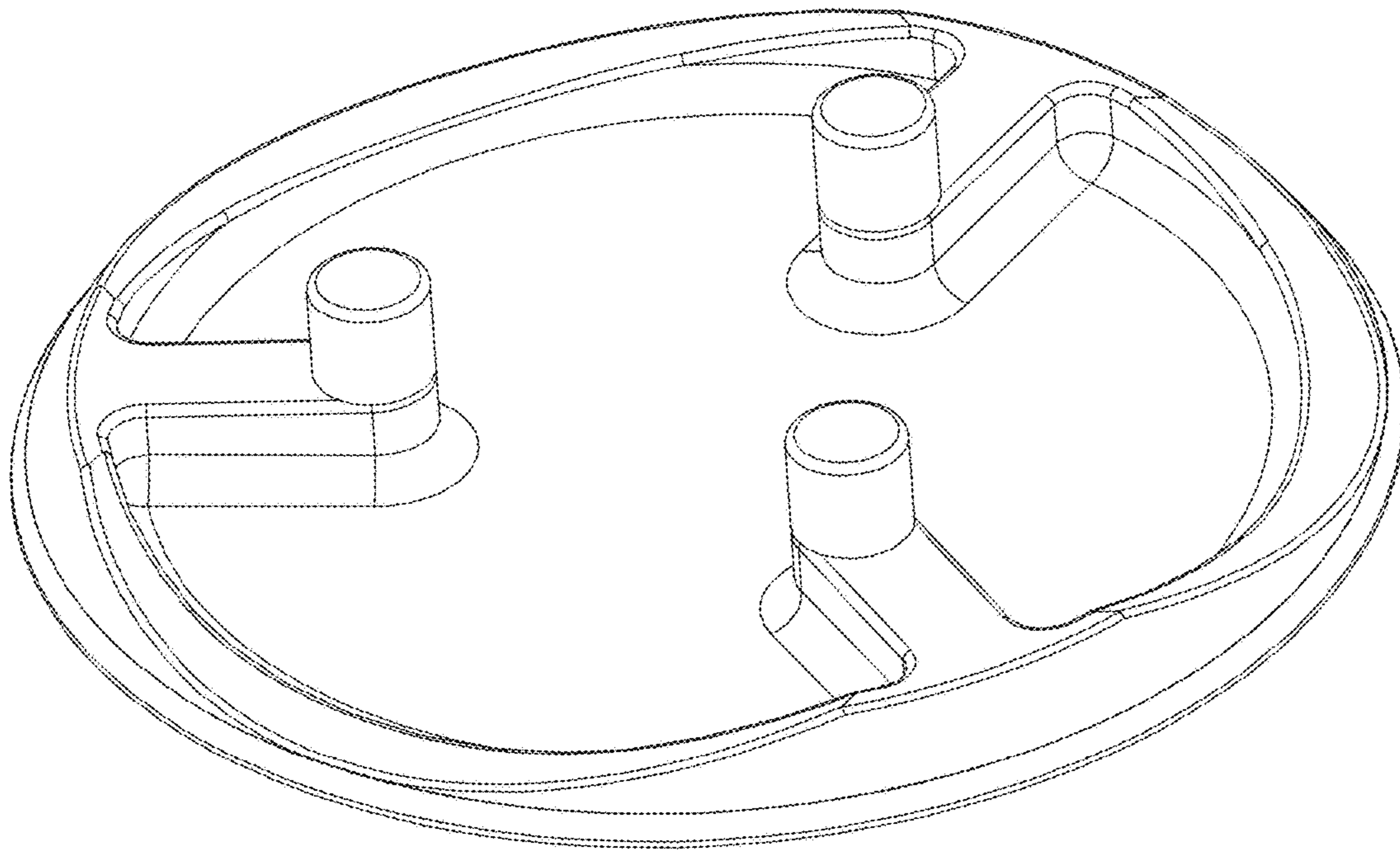


FIG. 2

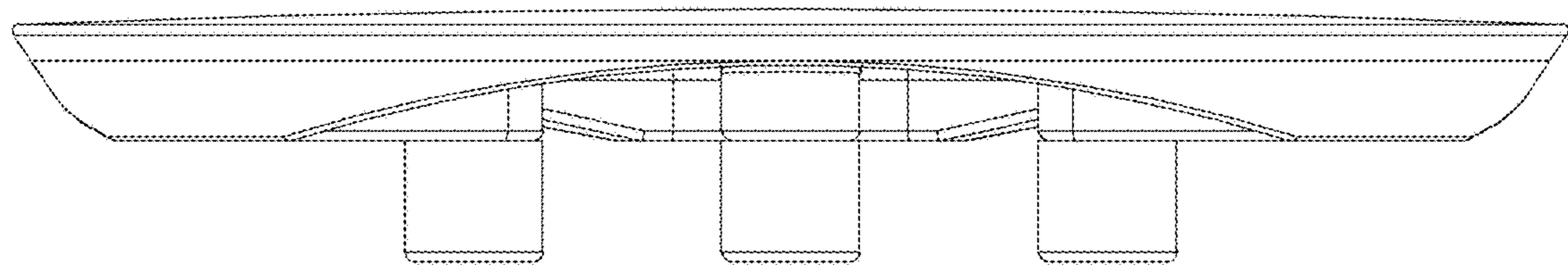


FIG. 3

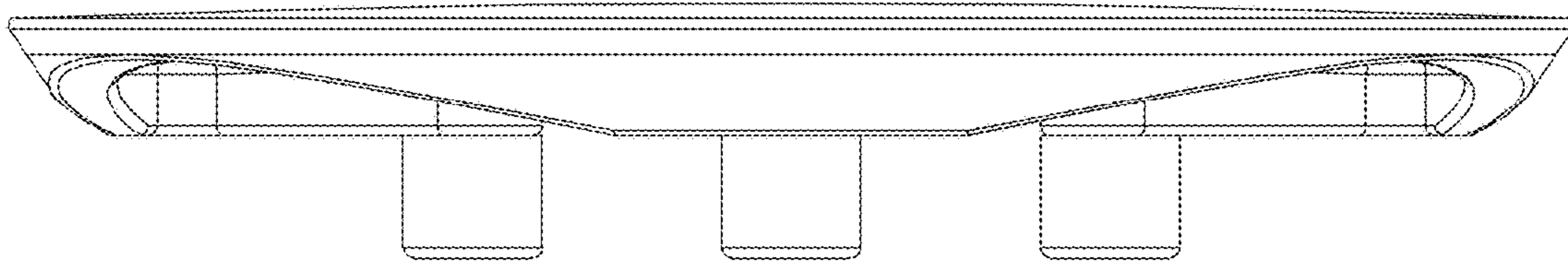


FIG. 4

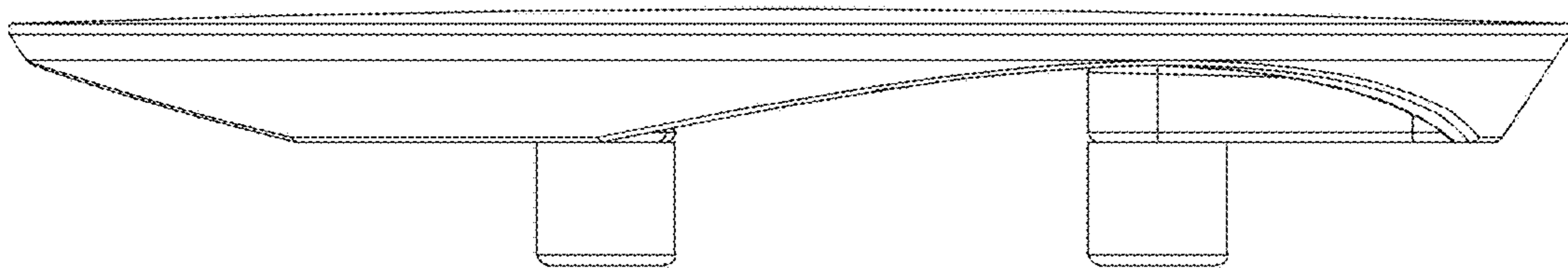


FIG. 5

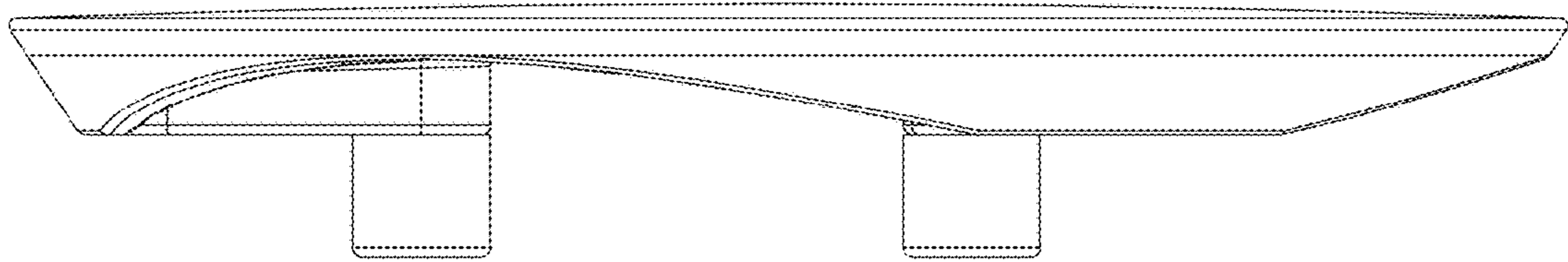


FIG. 6

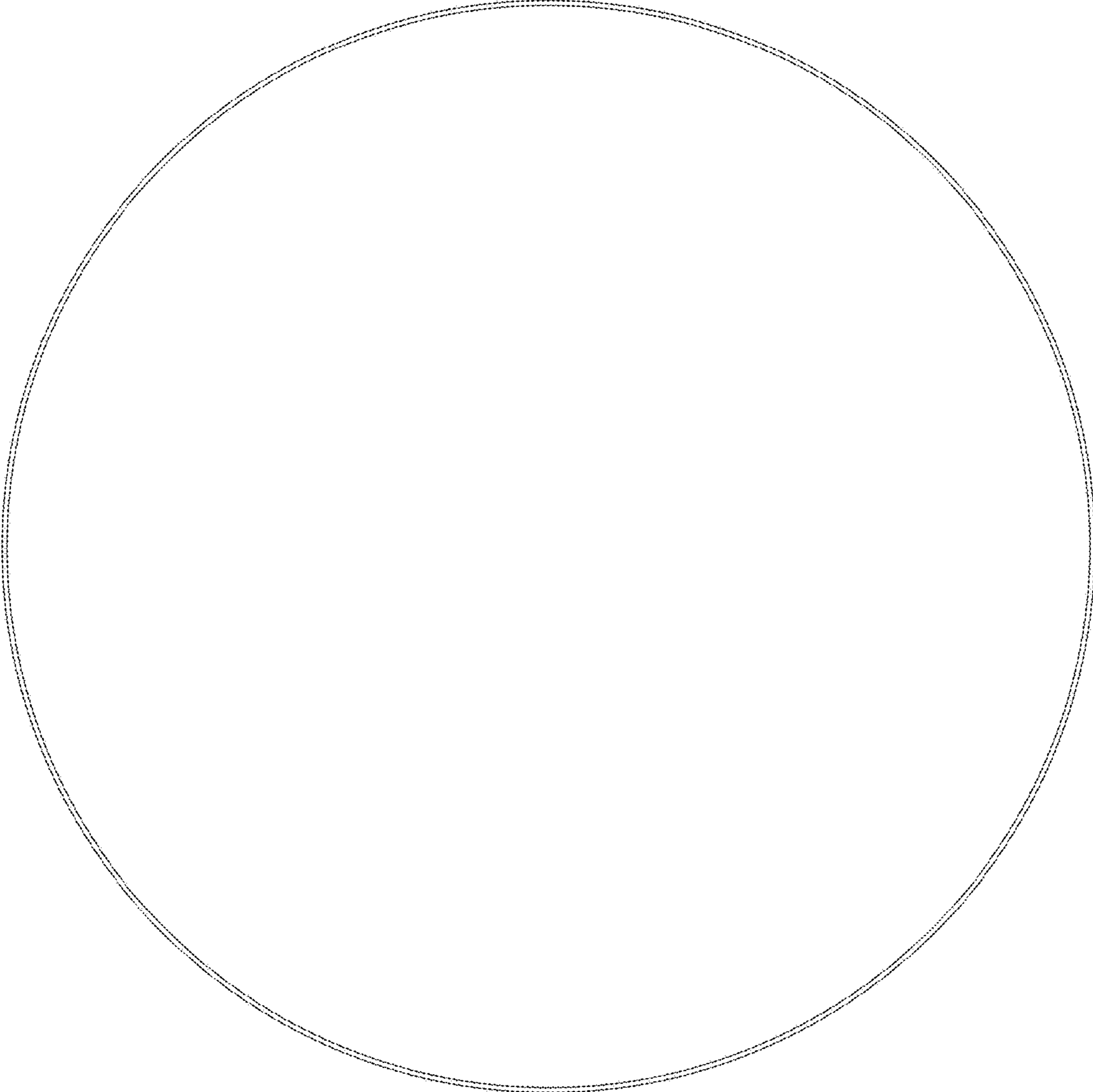


FIG. 7

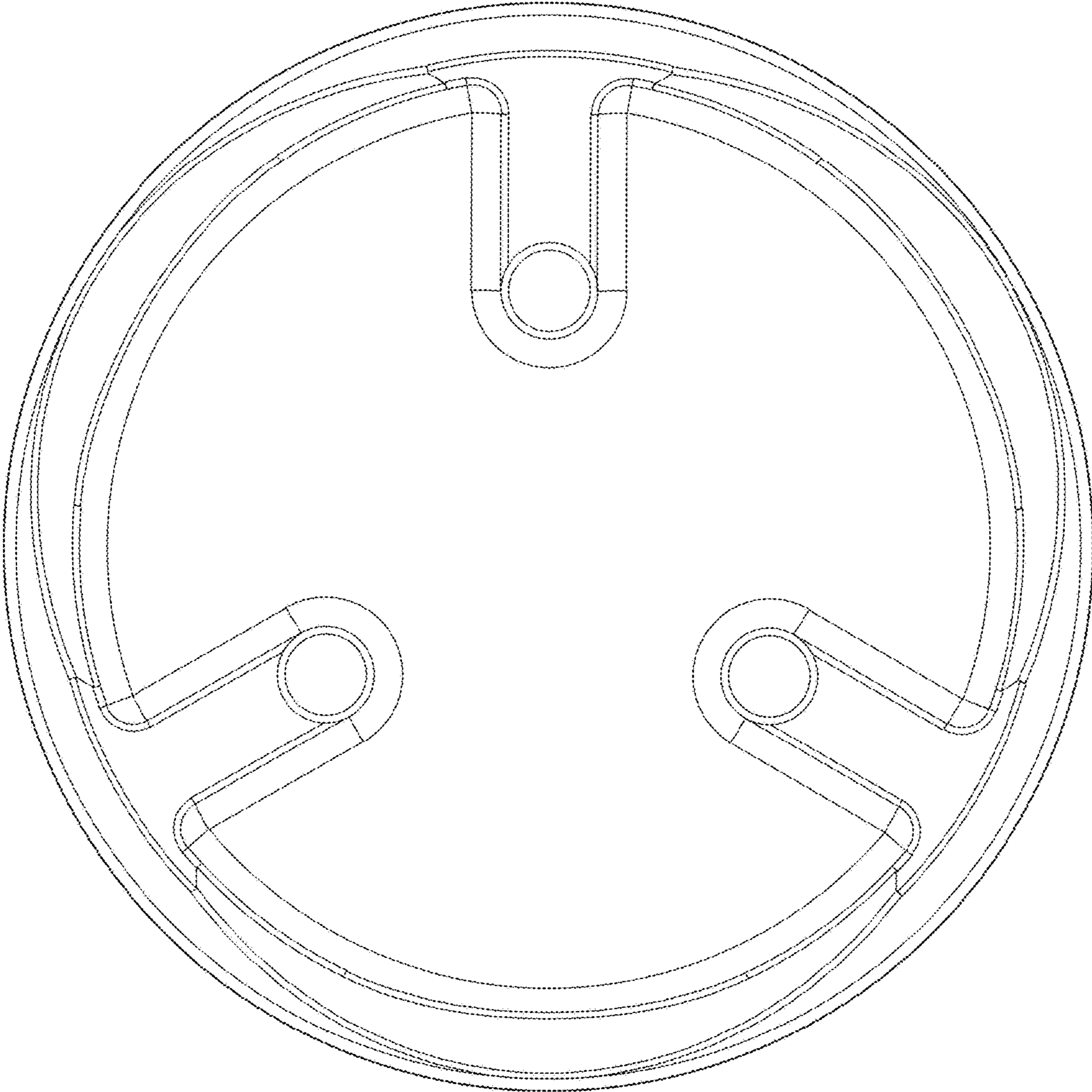


FIG. 8

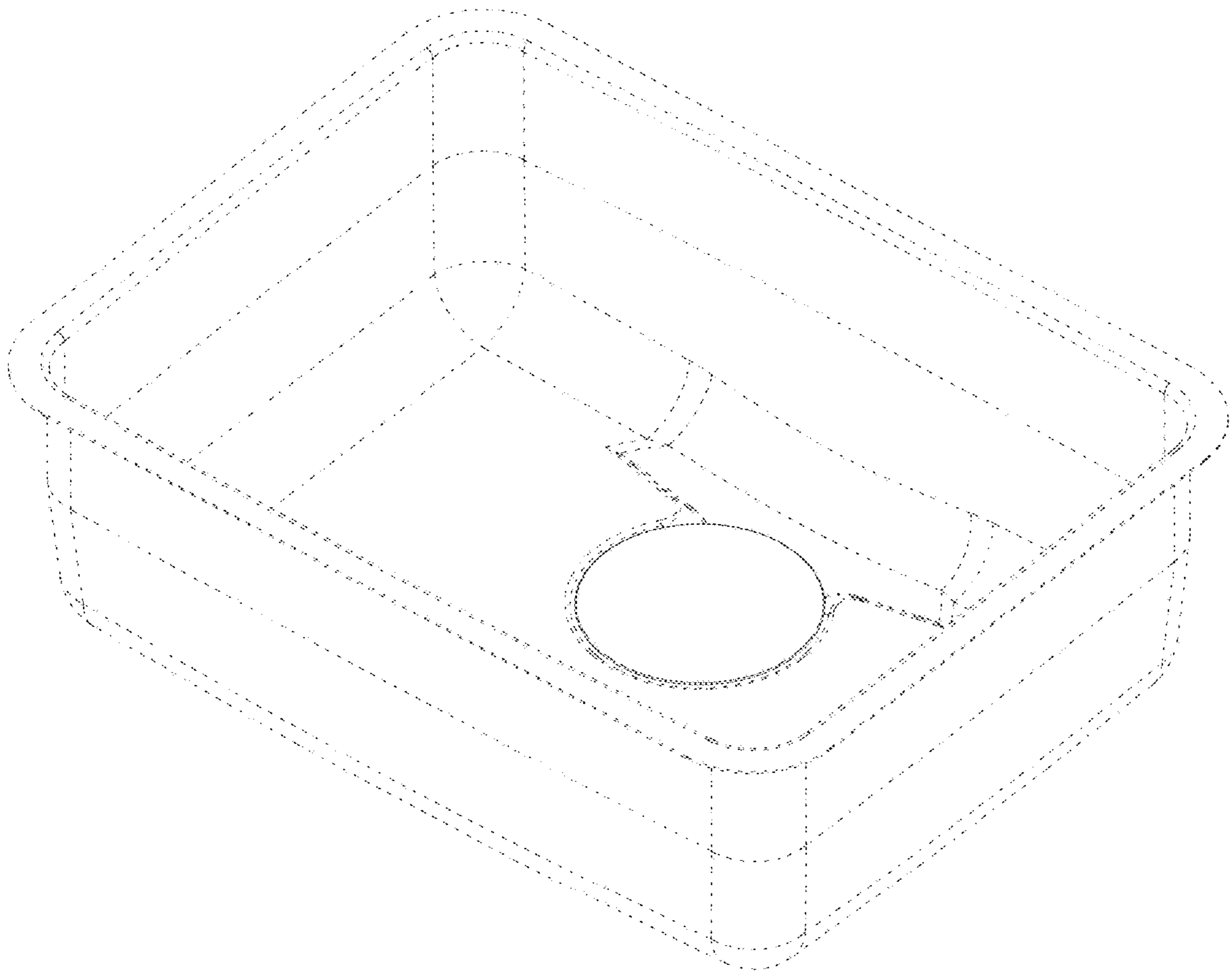


FIG. 9