



US00D833582S

(12) **United States Design Patent**
Mehdi et al.

(10) **Patent No.:** **US D833,582 S**

(45) **Date of Patent:** **** Nov. 13, 2018**

- (54) **PLUMBING FITTING**
- (71) Applicant: **Lifeguard Aquatics Inc.**, Cerritos, CA (US)
- (72) Inventors: **Sadiq Mehdi**, Long Beach, CA (US);
Neal Dulaney, Santa Cruz, CA (US)
- (73) Assignee: **Lifeguard Aquatics, Inc.**, Cerritos, CA (US)
- (**) Term: **15 Years**
- (21) Appl. No.: **29/622,238**
- (22) Filed: **Oct. 16, 2017**
- (51) **LOC (11) Cl.** **23-01**
- (52) **U.S. Cl.**
USPC **D23/259**
- (58) **Field of Classification Search**
USPC D23/259, 262-263, 260, 235, 237, 265,
D23/264, 268, 233; 285/179, 179.1,
285/180-181, 183-185, 92, 148.22,
285/149.1, 151.1, 154.1, 248.249,
285/340-343, 354, 391-392, 15, 125.1,
285/126.1, 133.4, 132.1, 189, 285.1;
251/146
CPC F16L 43/001; F16L 43/002; F16L 43/008;
F16L 21/005; F16L 21/06; F16L 21/08;
F16L 21/04; F16L 41/023; F16L 41/12;
F16L 23/02; F16L 23/024; F16L 23/0283;
F16L 23/032; E03C 1/26; E03C 1/28;
E03C 1/232; E03C 1/262; E03C 1/264;
E03C 1/284; E03C 1/08; E03C 1/02
See application file for complete search history.

- 2,975,983 A * 3/1961 Niebling F16K 17/162
137/68.23
- 4,367,769 A * 1/1983 Bain A61M 39/10
138/103
- D435,637 S * 12/2000 Wales D23/263
- 6,467,820 B1 * 10/2002 Albrecht F16L 23/02
285/125.1
- 6,619,697 B2 * 9/2003 Griffioen F16L 41/023
285/126.1
- D568,965 S * 5/2008 Johnson D23/233
- D638,521 S * 5/2011 Matusche D23/233
- D679,780 S * 4/2013 Oike D23/247
- D789,496 S * 6/2017 Kuhlman D23/259

(Continued)

Primary Examiner — Eric L Goodman
Assistant Examiner — Amy C Wierenga
 (74) *Attorney, Agent, or Firm* — Brian P. Harrod; George W. Moxon, II

(57) **CLAIM**

The ornamental design for a plumbing fitting, as shown and described.

DESCRIPTION

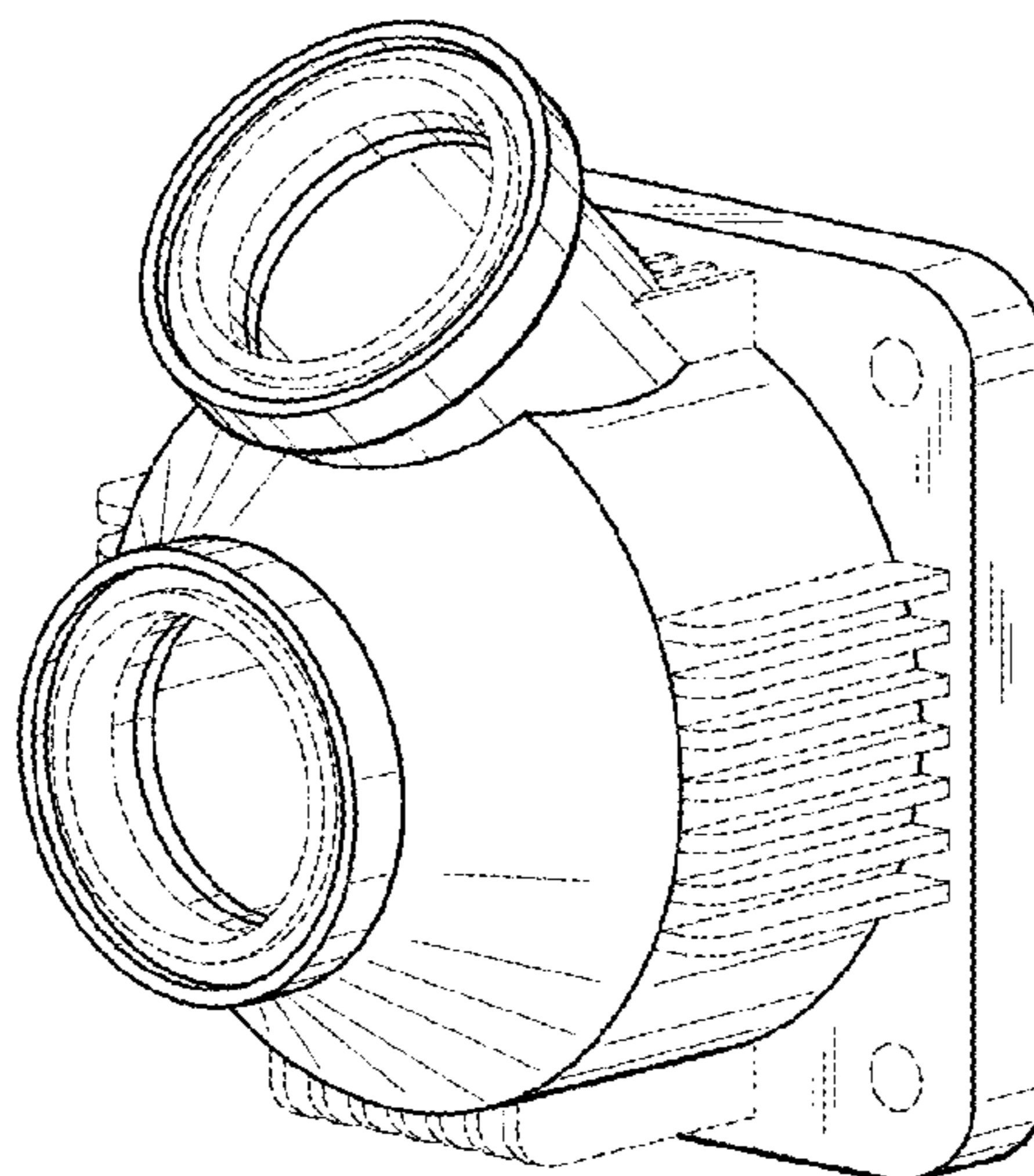
FIG. 1 is a perspective view from above showing our new design of a plumbing fitting;
 FIG. 2 is a top view thereof;
 FIG. 3 is a left side view thereof, the right side view is a mirror image of the left side;
 FIG. 4 is a bottom view thereof;
 FIG. 5 is a front view thereof;
 FIG. 6 is rear view thereof; and,
 FIG. 7 is a cross-sectional view thereof, taken along line 7-7 in FIG. 2.
 The broken line shown in the drawings depicts portions of the plumbing fitting that form no part of the claim.
 The article is a plumbing outlet fitting that is attached to one or more ends of a piece of equipment such as, but not limited to, a pump, filter, or sterilizer.

1 Claim, 4 Drawing Sheets

(56) **References Cited**

U.S. PATENT DOCUMENTS

- 1,362,718 A * 12/1920 McNamara E03C 1/122
285/125.1
- 2,293,392 A * 8/1942 Herzog F16L 41/023
136/230



(56)

References Cited

U.S. PATENT DOCUMENTS

2007/0236007 A1* 10/2007 Lin E03C 1/021
285/133.4
2013/0292597 A1* 11/2013 Liang E03C 1/0404
251/356

* cited by examiner

FIG. 1

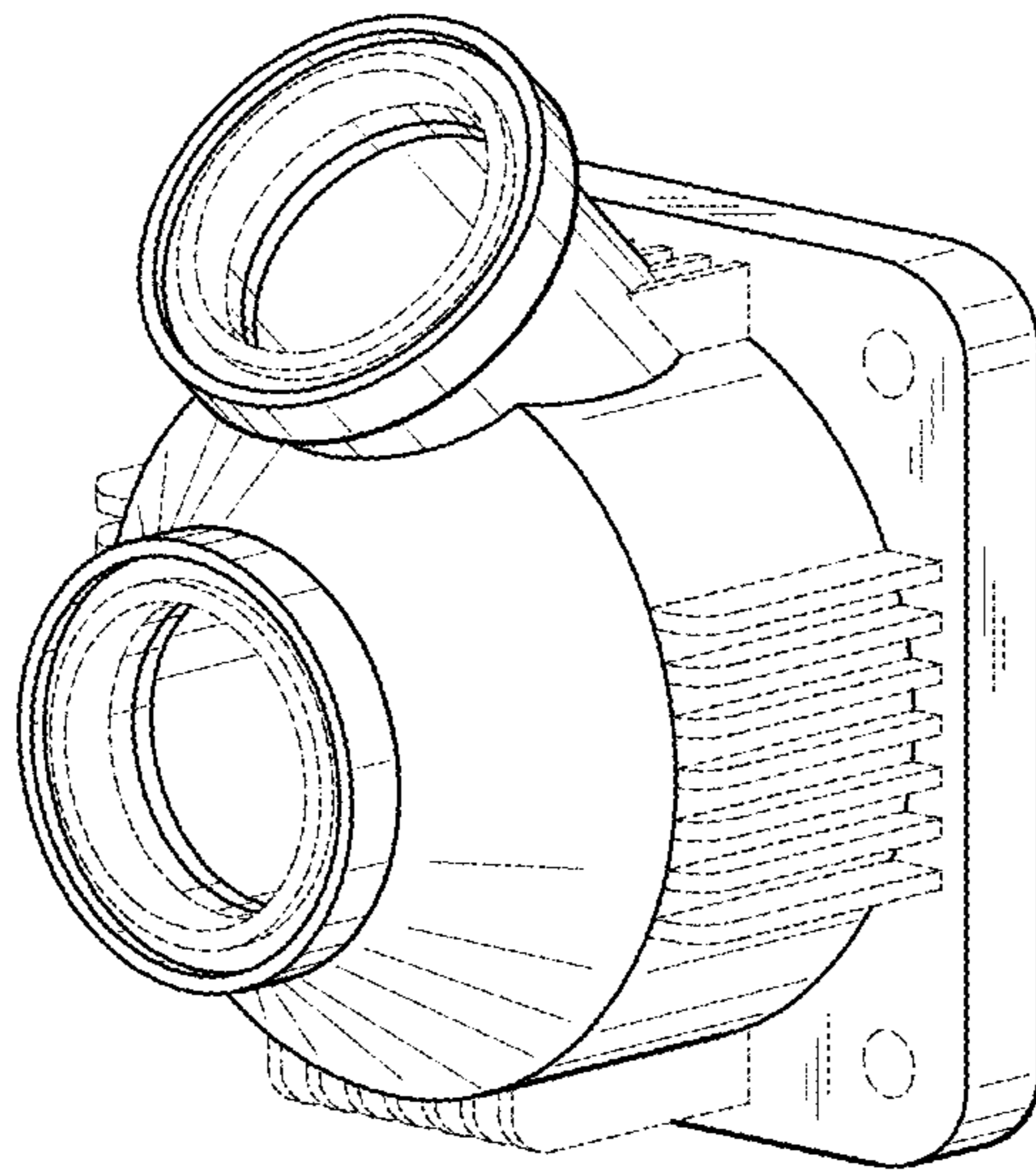


FIG. 2

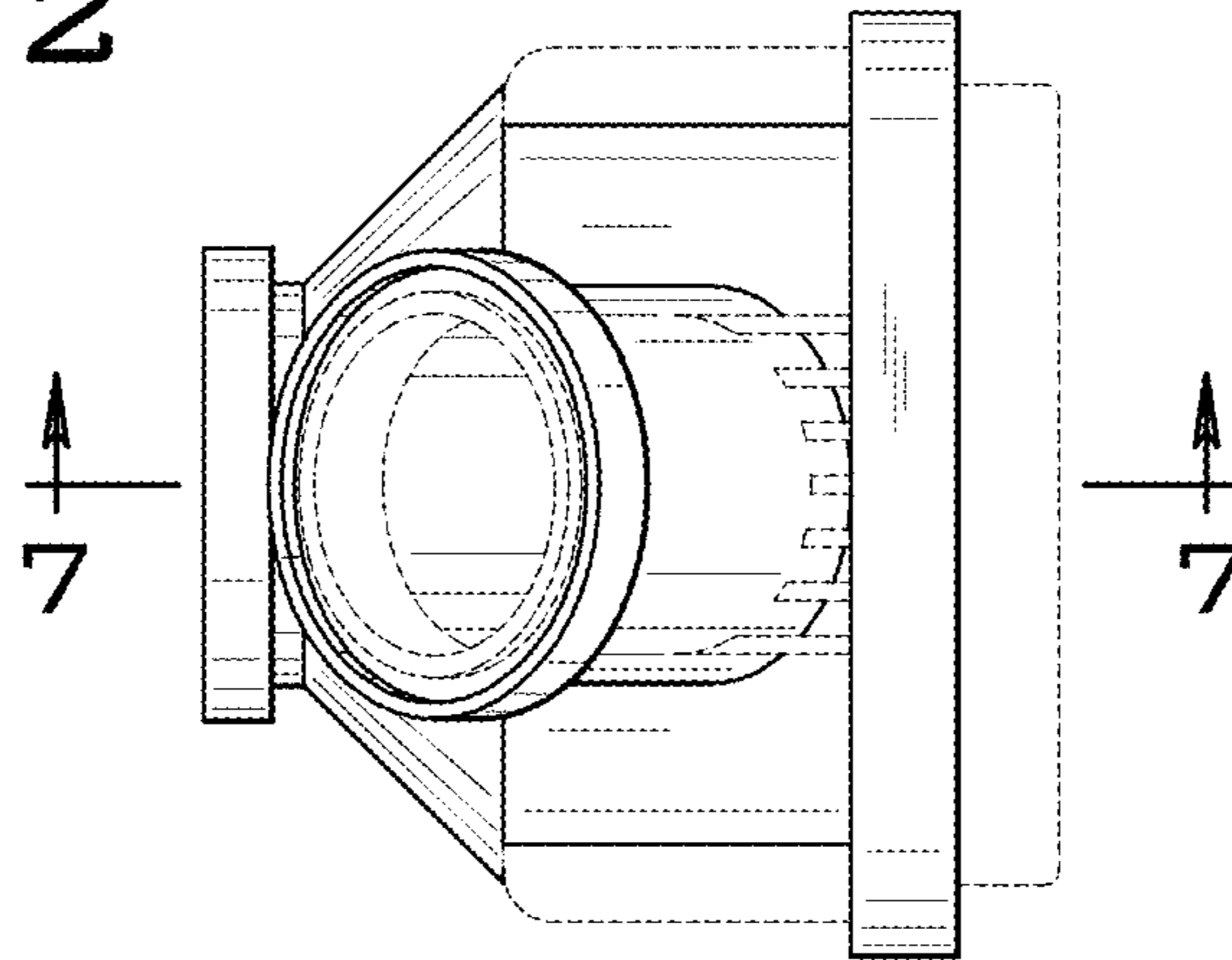


FIG. 3

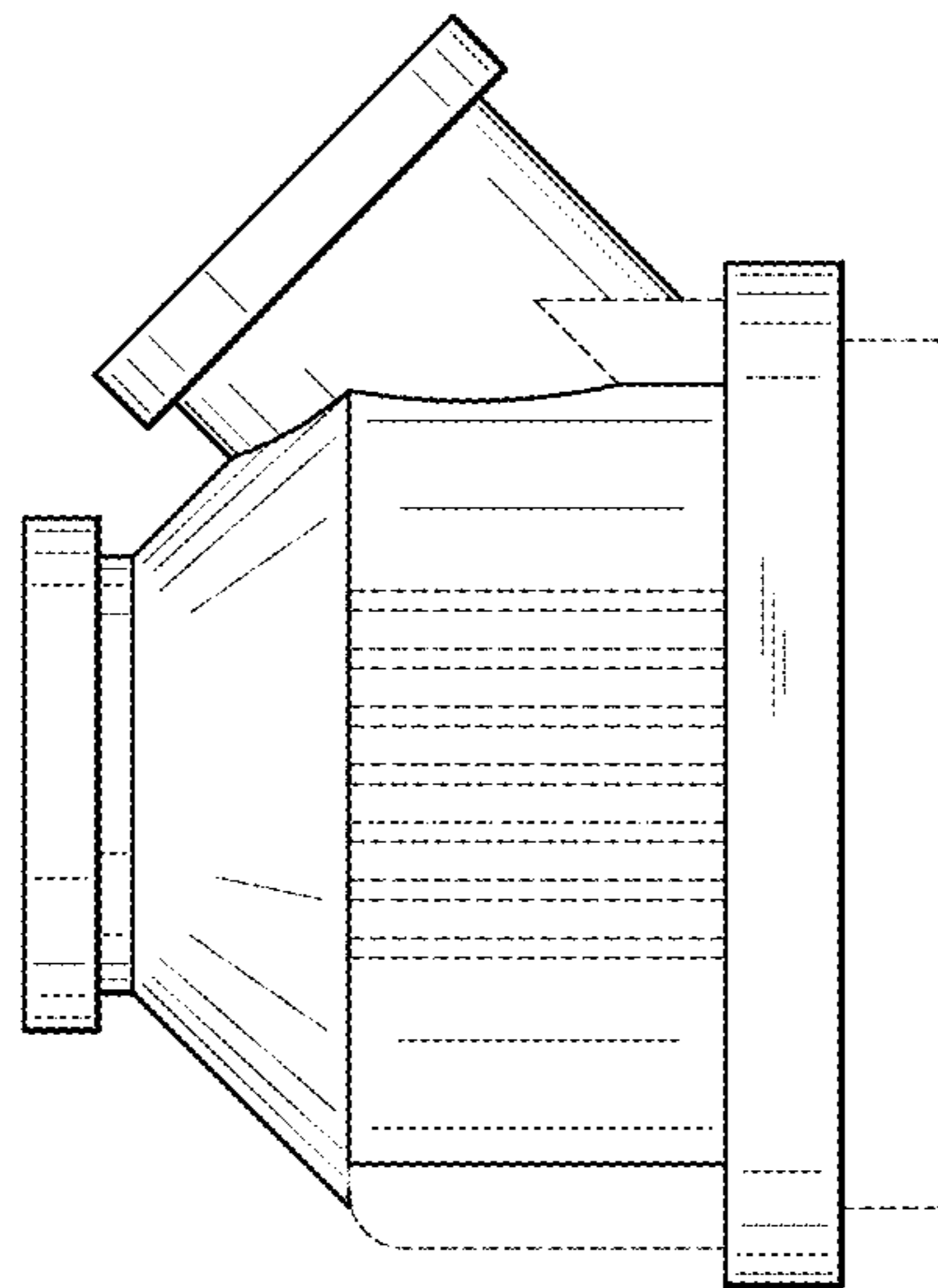


FIG. 4

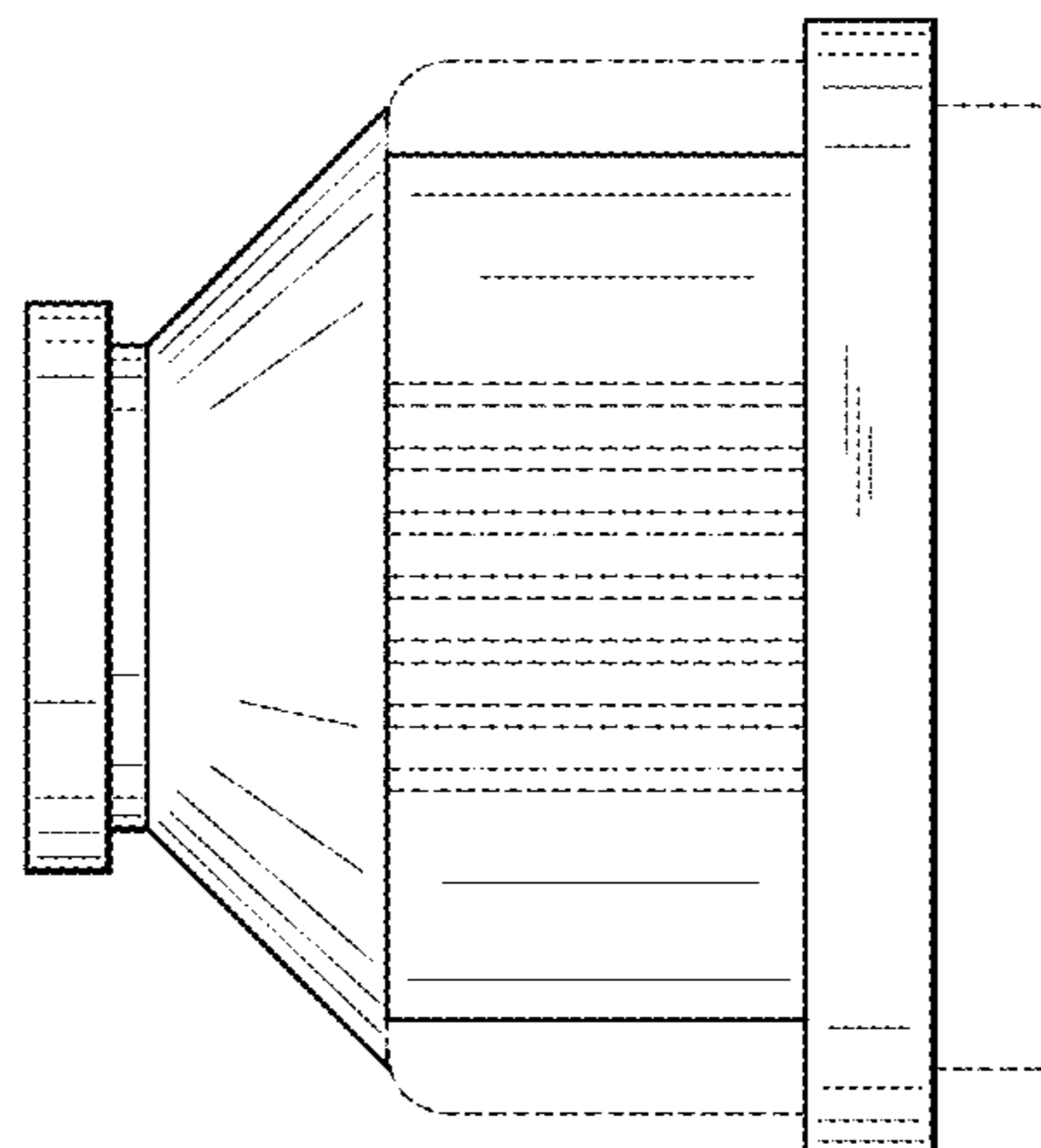


FIG. 5

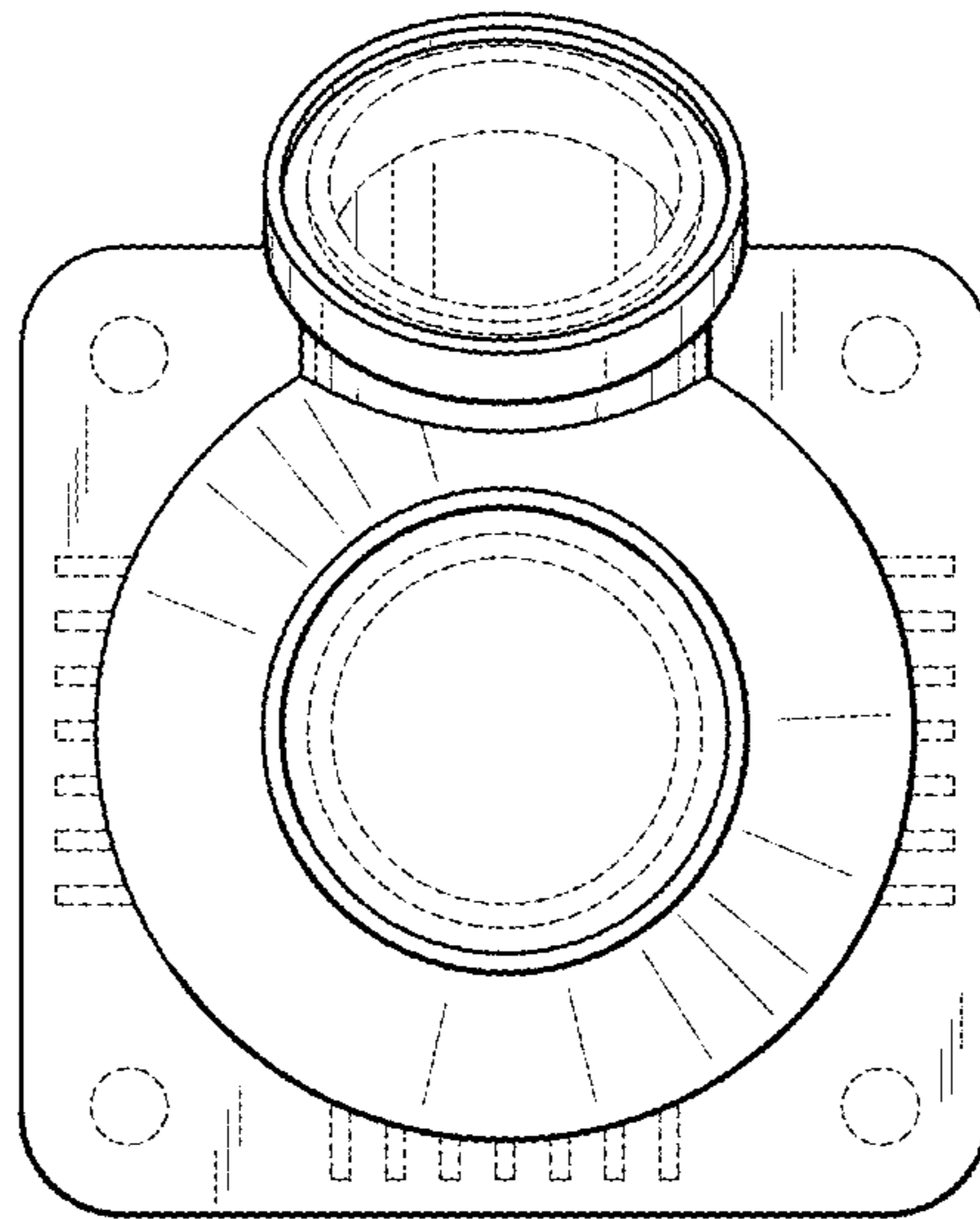


FIG. 6

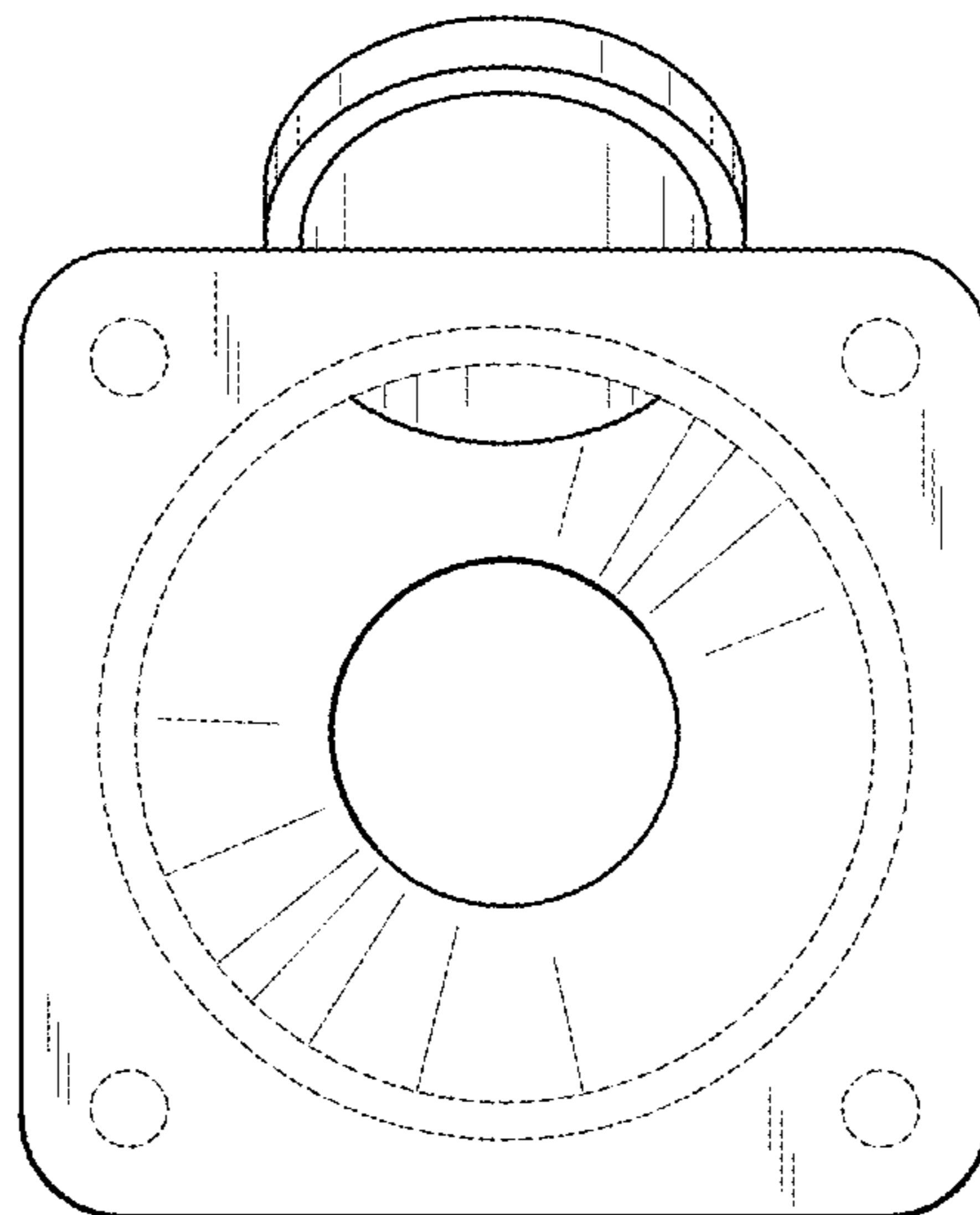


FIG. 7

