



US00D833581S

(12) **United States Design Patent**
Atwell et al.

(10) **Patent No.:** **US D833,581 S**

(45) **Date of Patent:** **** Nov. 13, 2018**

- (54) **LOCKING RING**
- (71) Applicants: **Jacob C Atwell**, Greensboro, NC (US);
Dallas V Eisenhauer, Summerfield, NC (US); **Jeffrey R Russell**,
Winston-Salem, NC (US)
- (72) Inventors: **Jacob C Atwell**, Greensboro, NC (US);
Dallas V Eisenhauer, Summerfield, NC (US); **Jeffrey R Russell**,
Winston-Salem, NC (US)
- (73) Assignee: **Camco Manufacturing, Inc.**,
Greensboro, NC (US)
- (**) Term: **15 Years**
- (21) Appl. No.: **29/620,813**
- (22) Filed: **Jun. 16, 2017**
- (51) **LOC (11) Cl.** **23-01**
- (52) **U.S. Cl.**
USPC **D23/259**
- (58) **Field of Classification Search**
USPC D23/259, 269, 262; 403/311, 350, 409.1;
285/7, 80, 81, 87, 91, 92, 133.21, 285,
285/328, 330, 358, 394-395, 921
CPC F16L 25/01; F16L 27/08; F16L 2201/10;
F16L 19/005; F16L 19/064; F16L 19/065;
F16L 19/0283
See application file for complete search history.

- 5,462,369 A * 10/1995 Layne F16C 35/063
384/538
- 6,073,973 A * 6/2000 Boscaljon F16L 19/005
285/354
- D586,434 S * 2/2009 Brockington D23/259
- D631,142 S * 1/2011 Angell D23/262
- D681,176 S * 4/2013 Chacko D23/269
- D710,485 S * 8/2014 Nudo D23/262
- D802,104 S * 11/2017 Nagahamaya D23/269
- 2003/0184091 A1 * 10/2003 Ricard F16L 37/113
285/358
- 2004/0092320 A1 * 5/2004 Lentini F16D 3/387
464/133
- 2013/0113209 A1 * 5/2013 Neal F16L 33/18
285/354

* cited by examiner

Primary Examiner — Eric L Goodman
Assistant Examiner — Amy C Wierenga

(57) **CLAIM**

The ornamental design for a locking ring, as shown and described.

DESCRIPTION

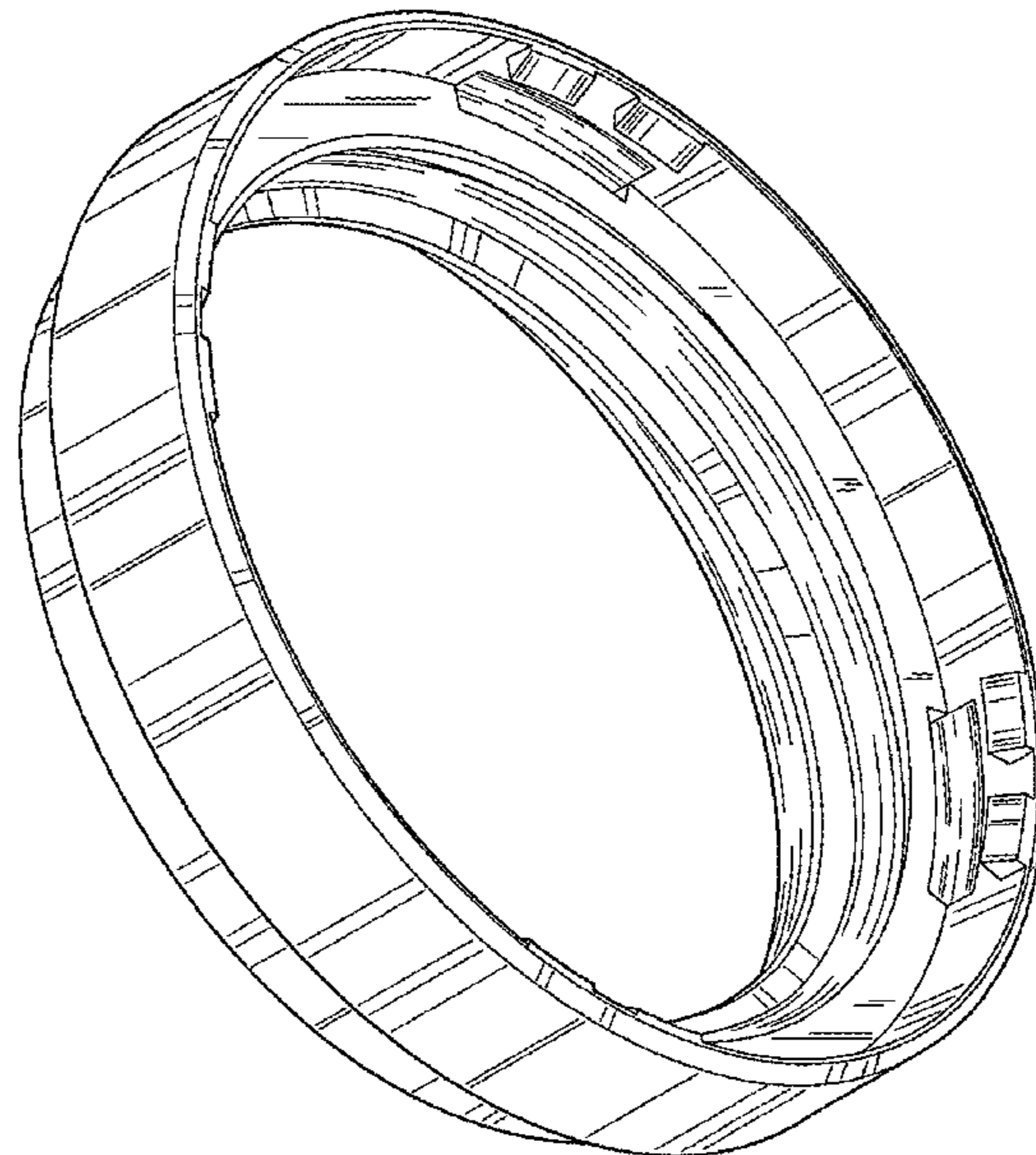
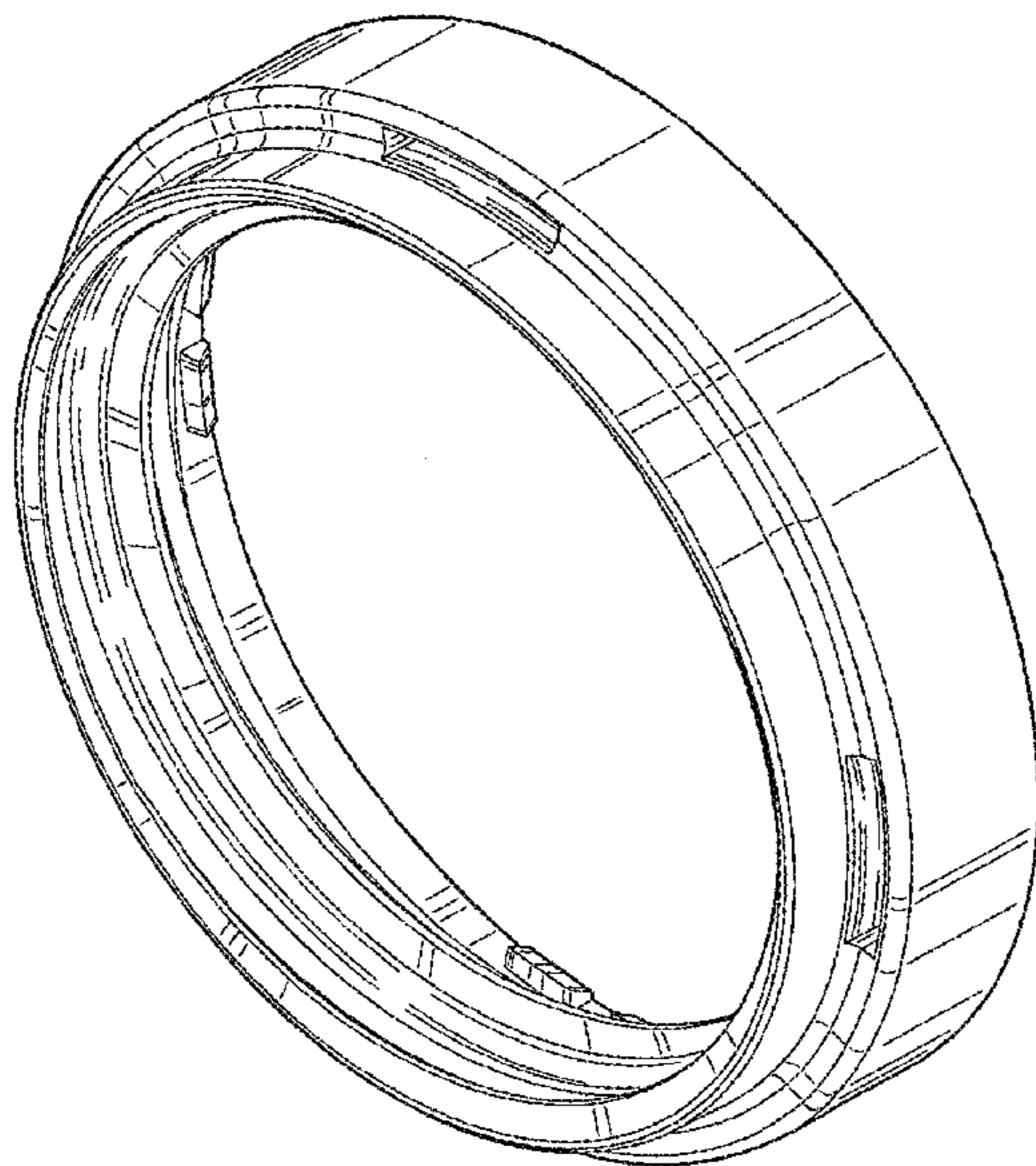
FIG. 1 is a front, top, right perspective view of a locking ring according to the invention;
FIG. 2 is a front plan view according to the invention; and,
FIG. 3 is a back plan view according to the invention; and,
FIG. 4 is a top elevational view according to the invention with the bottom being a mirror image thereof; and
FIG. 5 is right side elevational view according to the invention, with the left side being a mirror image thereof; and,
FIG. 6 is a back, bottom, right perspective view according to the invention.

1 Claim, 6 Drawing Sheets

(56) **References Cited**

U.S. PATENT DOCUMENTS

- D243,406 S * 2/1977 Mooney D13/154
- D336,510 S * 6/1993 Sawtelle D23/262



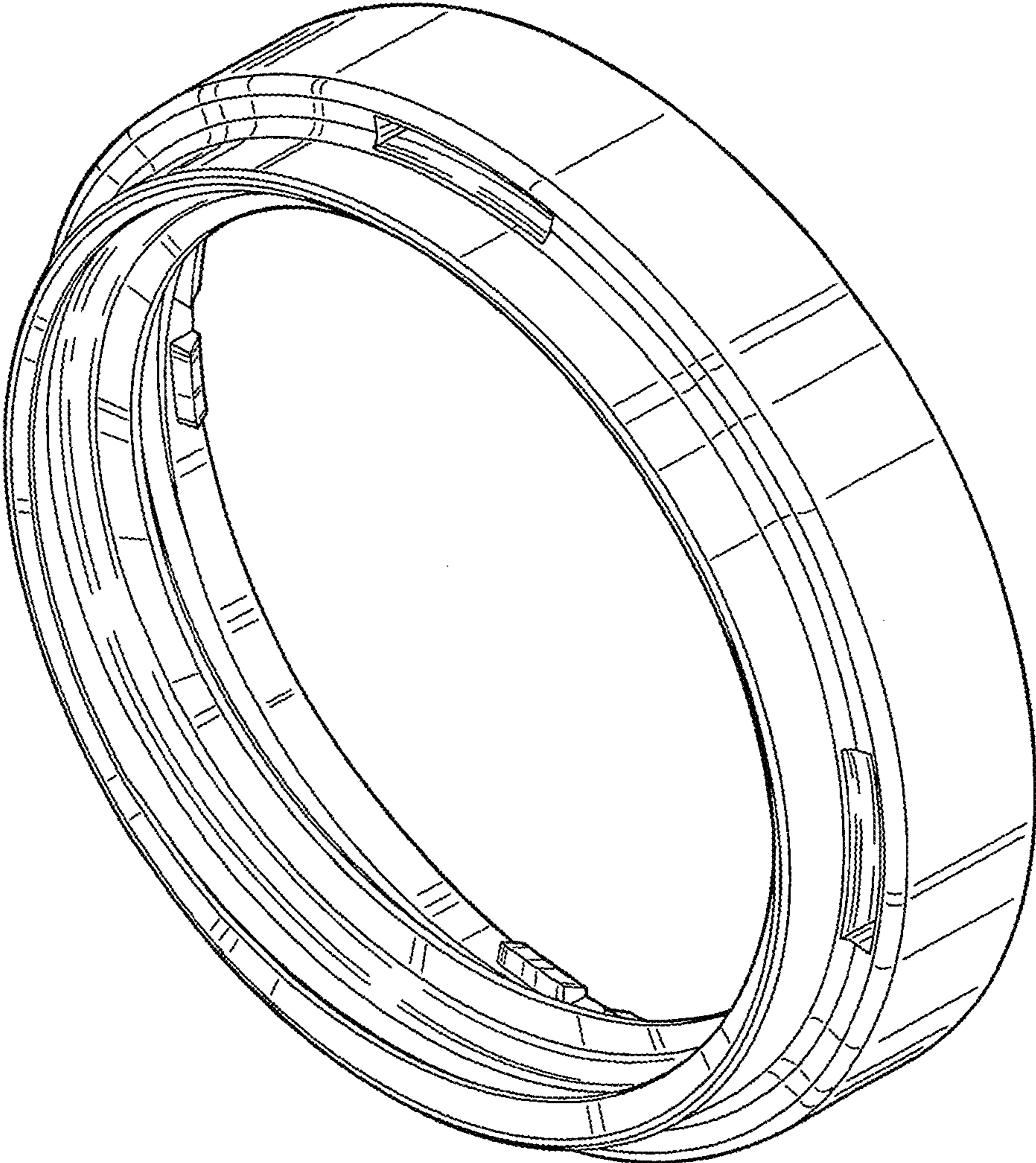


Fig. 1

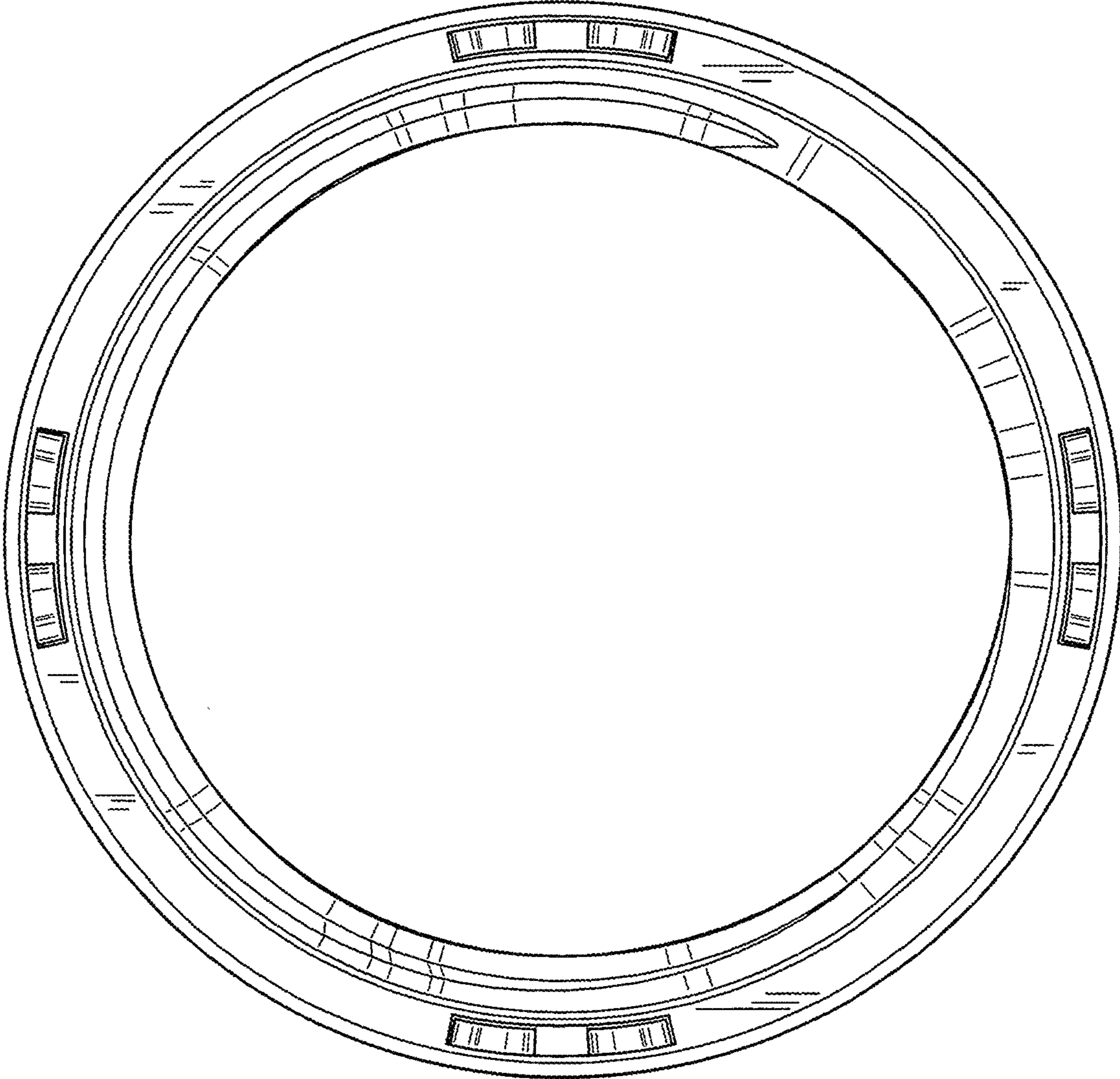


Fig. 2

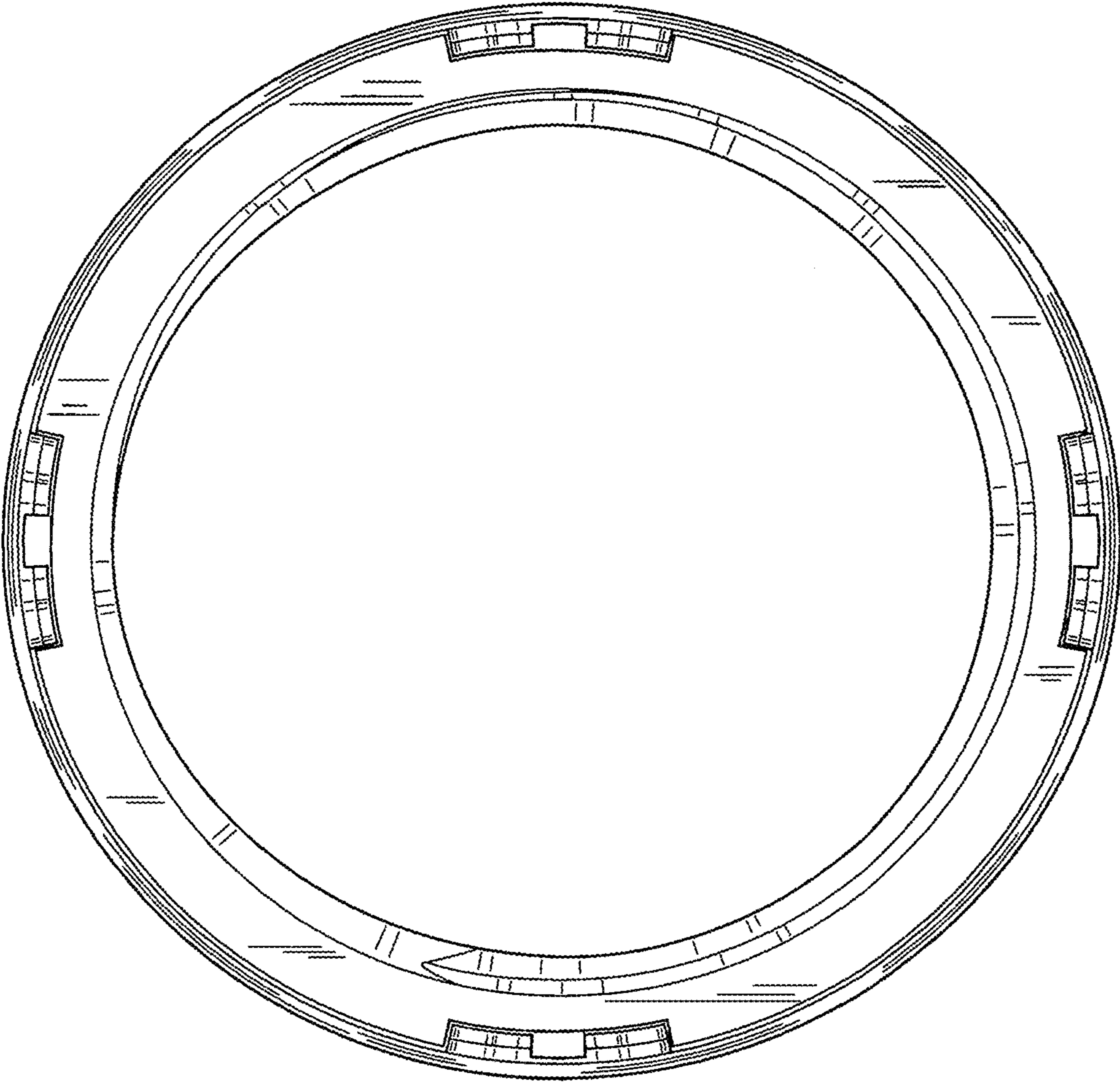


Fig. 3

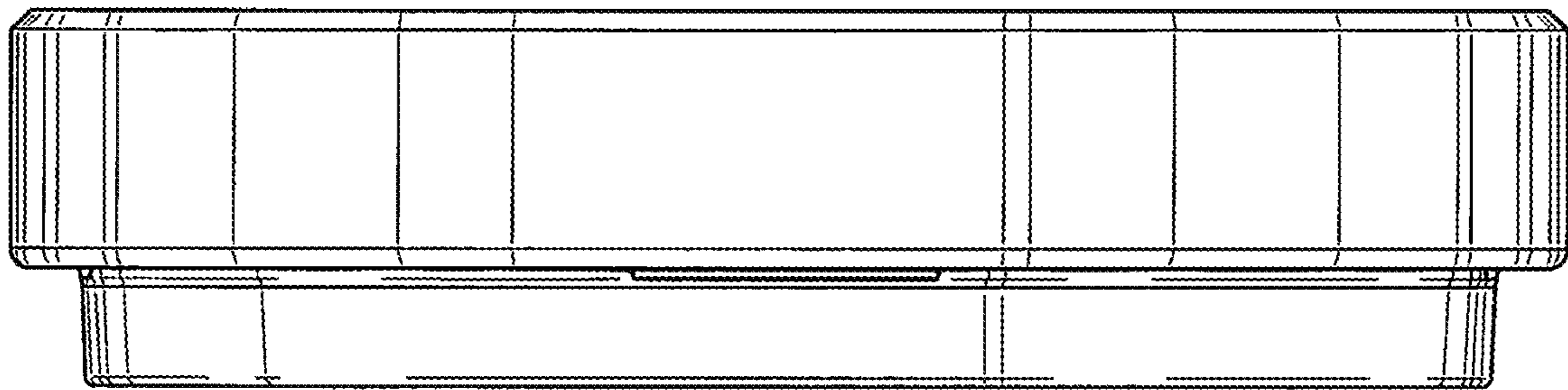


Fig. 4

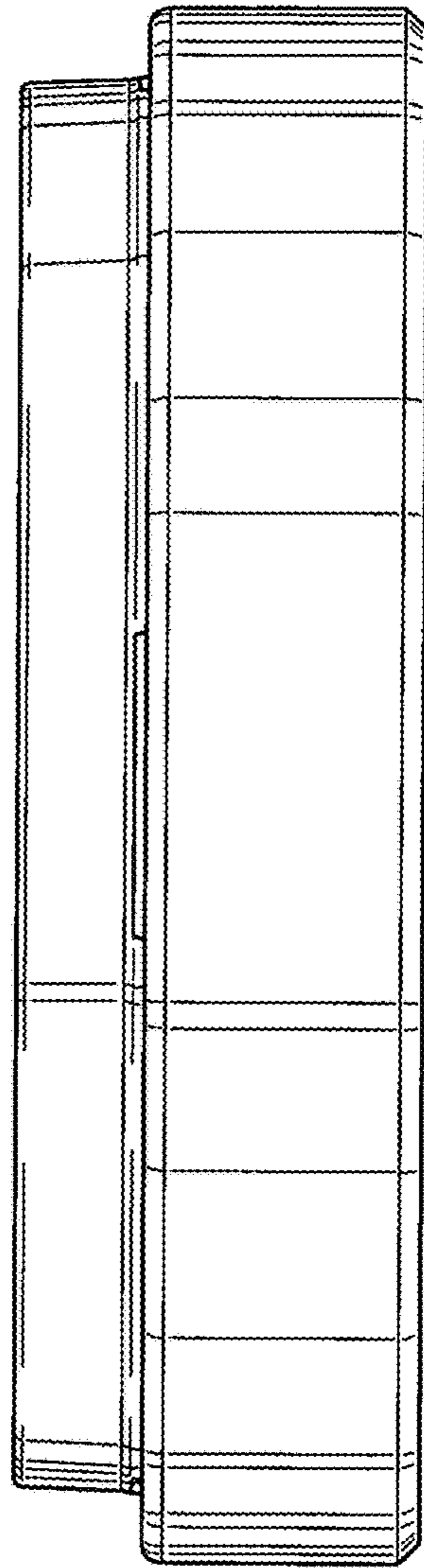


Fig. 5

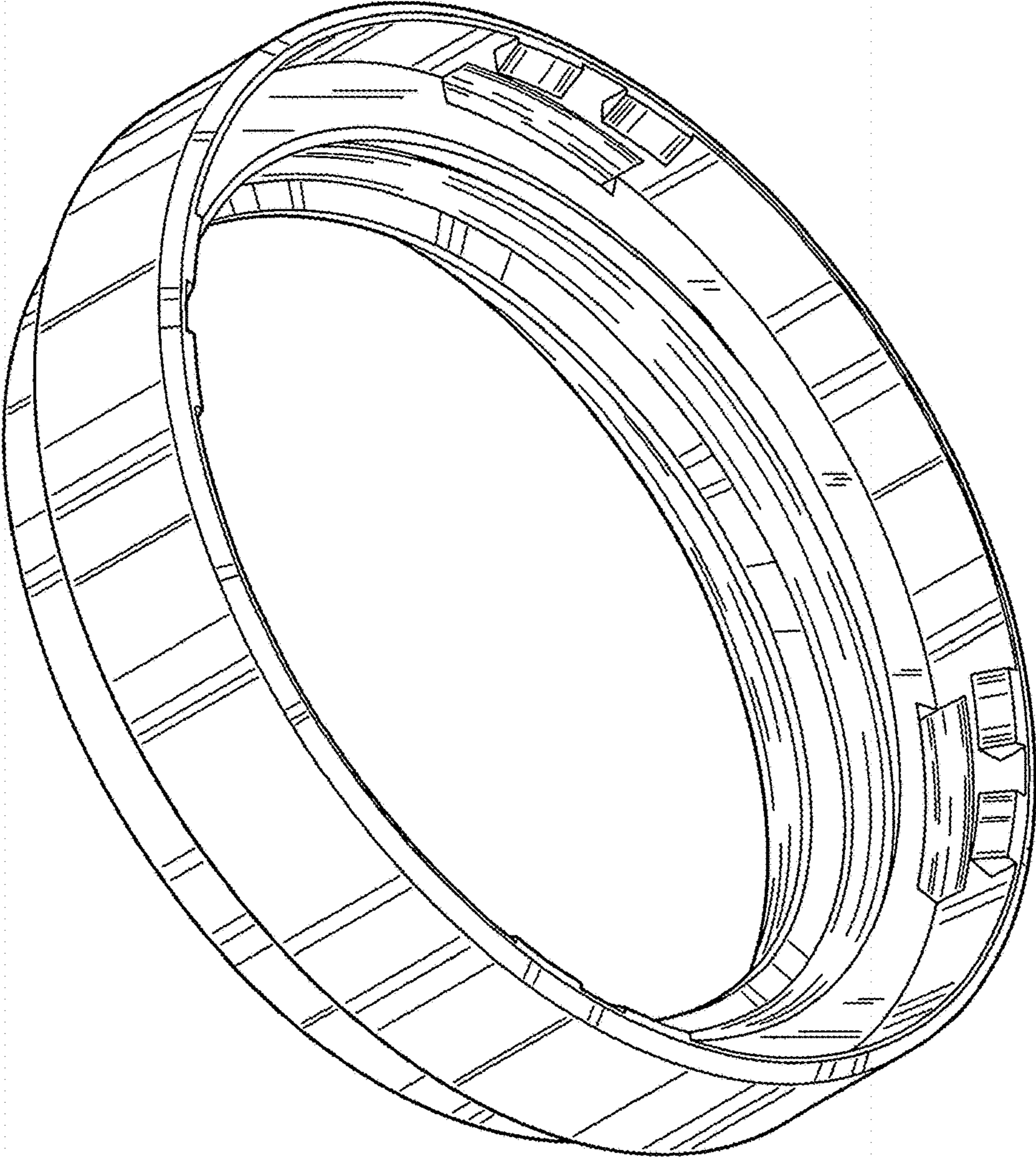


Fig. 6