



US00D833580S

(12) **United States Design Patent** (10) **Patent No.:** **US D833,580 S**
Niu et al. (45) **Date of Patent:** **** Nov. 13, 2018**

(54) **FAUCET HANDLE**
(71) Applicant: **Kohler (China) Investment Co., Ltd.**,
Shanghai (CN)
(72) Inventors: **Jimin Niu**, Beijing (CN); **Chia Ying Lee**,
Chicago, IL (US); **Lun Cheak Tan**, Shanghai (CN)
(73) Assignee: **KOHLER(CHINA) INVESTMENT CO., LTD.** (CN)
(**) Term: **15 Years**
(21) Appl. No.: **29/649,311**
(22) Filed: **May 29, 2018**

D589,124 S 3/2009 Soulier
D589,125 S 3/2009 Soulier
D605,258 S 12/2009 Rubin et al.
D628,277 S 11/2010 Montgomery
D665,053 S 8/2012 Wang
D689,595 S 9/2013 Georgeson
D703,790 S 4/2014 Mazz et al.
8,789,771 B2* 7/2014 Esche E03C 1/0404
137/801
D720,432 S 12/2014 Hundley et al.
D725,235 S 3/2015 Barber
D737,938 S 9/2015 Schoenherr
D787,020 S 5/2017 Ziemann

* cited by examiner

Primary Examiner — Robert A Delehanty
(74) *Attorney, Agent, or Firm* — Foley & Lardner LLP

Related U.S. Application Data

(62) Division of application No. 29/622,556, filed on Oct. 18, 2017, now Pat. No. Des. 821,547, which is a division of application No. 29/566,366, filed on May 27, 2016, now Pat. No. Des. 803,988.
(51) **LOC (11) Cl.** **23-01**
(52) **U.S. Cl.**
USPC **D23/252**
(58) **Field of Classification Search**
USPC D23/238, 242–244, 249–250, 252, D23/254–255, 257; D7/107–108
CPC E03C 1/04; E03C 1/0401; E03C 1/0402; E03C 1/0404; E03C 1/0405; E03C 1/0412; Y10T 137/9464
See application file for complete search history.

(57) **CLAIM**

We claim the ornamental design for a faucet handle, as shown and described.

DESCRIPTION

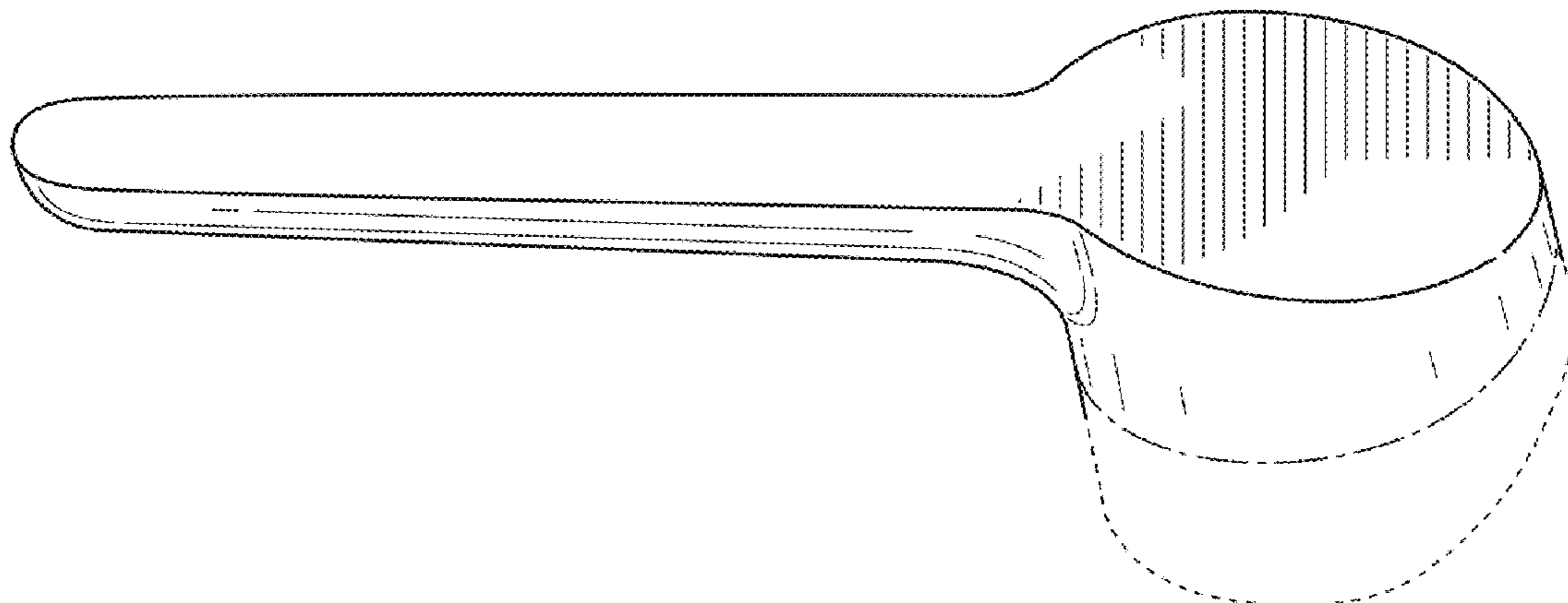
FIG. 1 is a top, left perspective view of an embodiment of the claimed design;
FIG. 2 is a left side elevation view thereof;
FIG. 3 is a right side elevation view thereof;
FIG. 4 is a top plan view thereof;
FIG. 5 is a bottom plan view thereof;
FIG. 6 is a front elevation view thereof; and,
FIG. 7 is a rear elevation view thereof.

The ornamental design which is claimed is shown in solid lines in the drawings. The broken lines in the drawings are for illustrative purposes only and form no part of the claimed design. Broken lines formed by equal length dashes in the drawings illustrate unclaimed portions of the design. Broken lines formed of unequal length dashes (i.e., dash-dot) show boundaries between claimed and unclaimed portions of the design.

1 Claim, 7 Drawing Sheets

(56) **References Cited**
U.S. PATENT DOCUMENTS

D425,181 S 5/2000 Lewis
D527,076 S 8/2006 Kolin
D573,696 S 7/2008 Eilmus
D576,707 S 9/2008 Schonherr



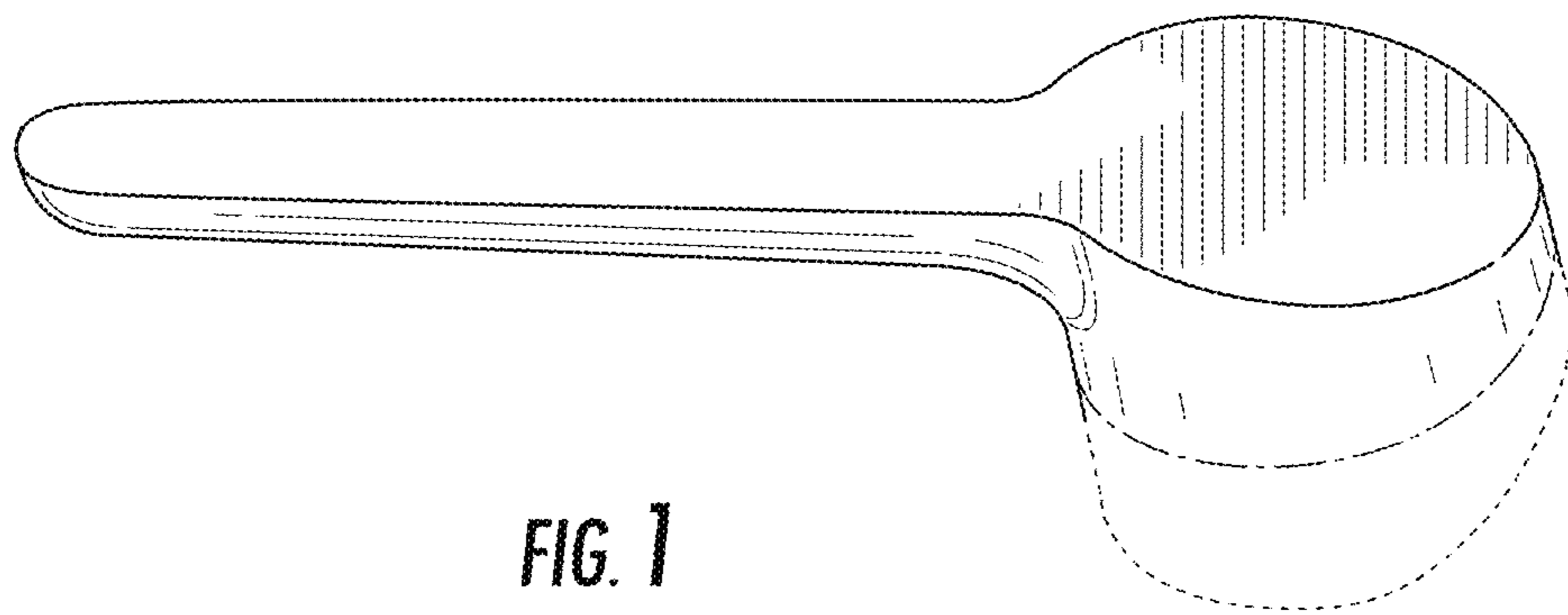


FIG. 1

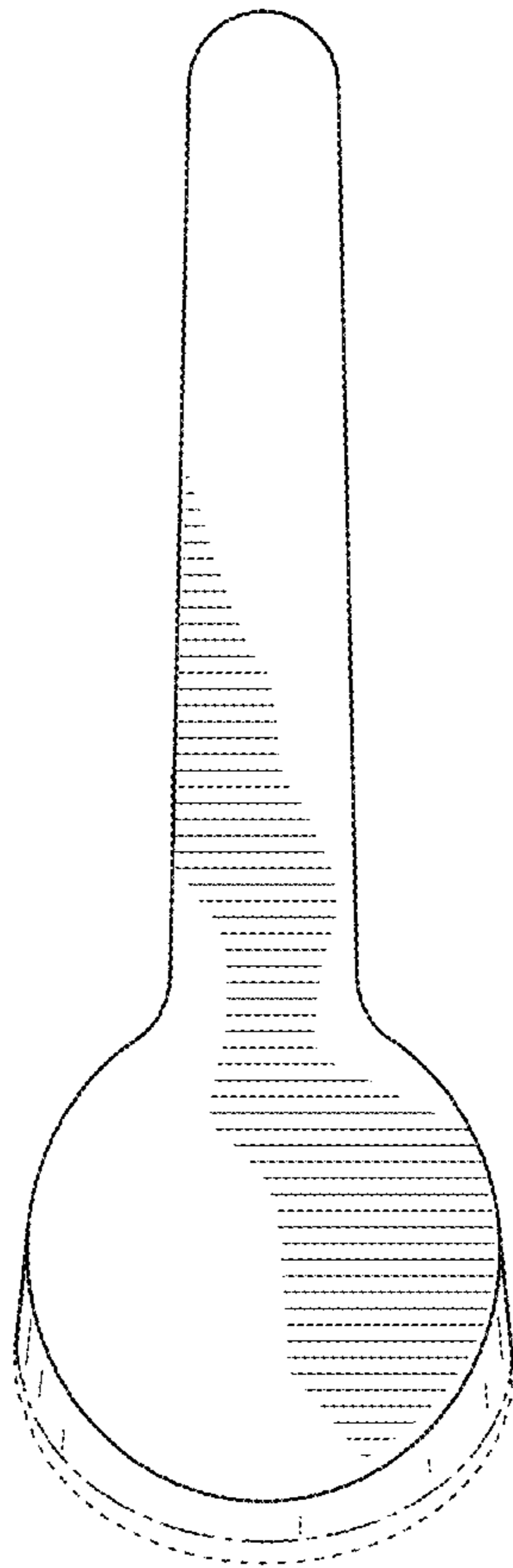


FIG. 2

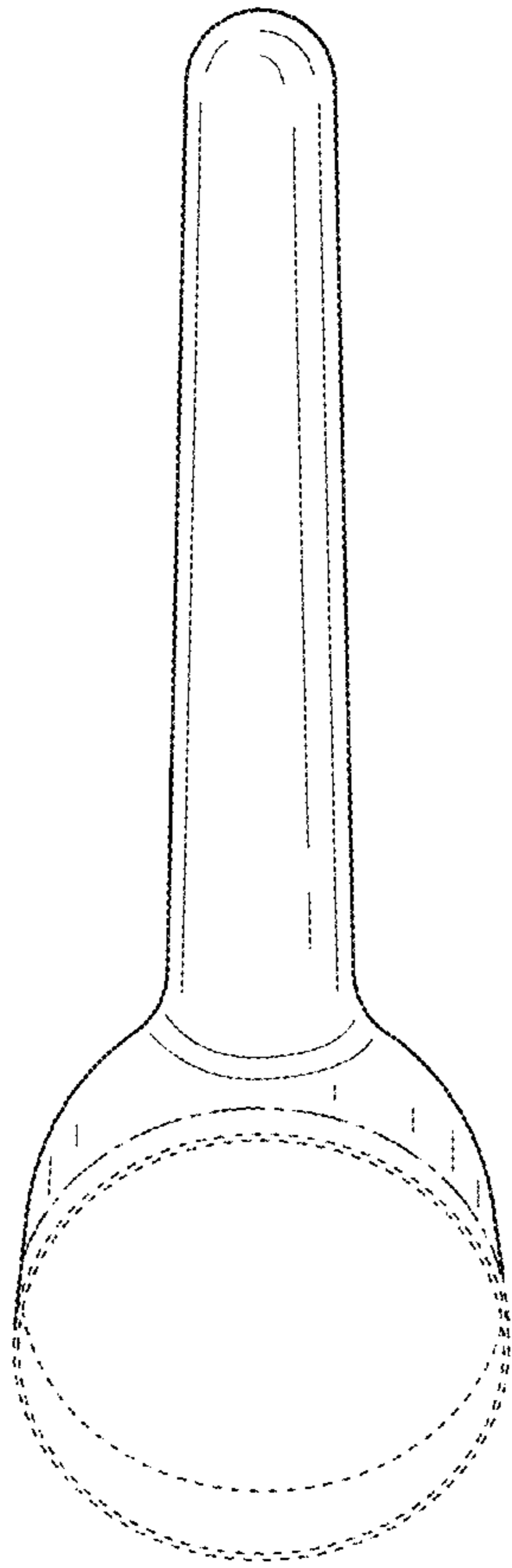


FIG. 3

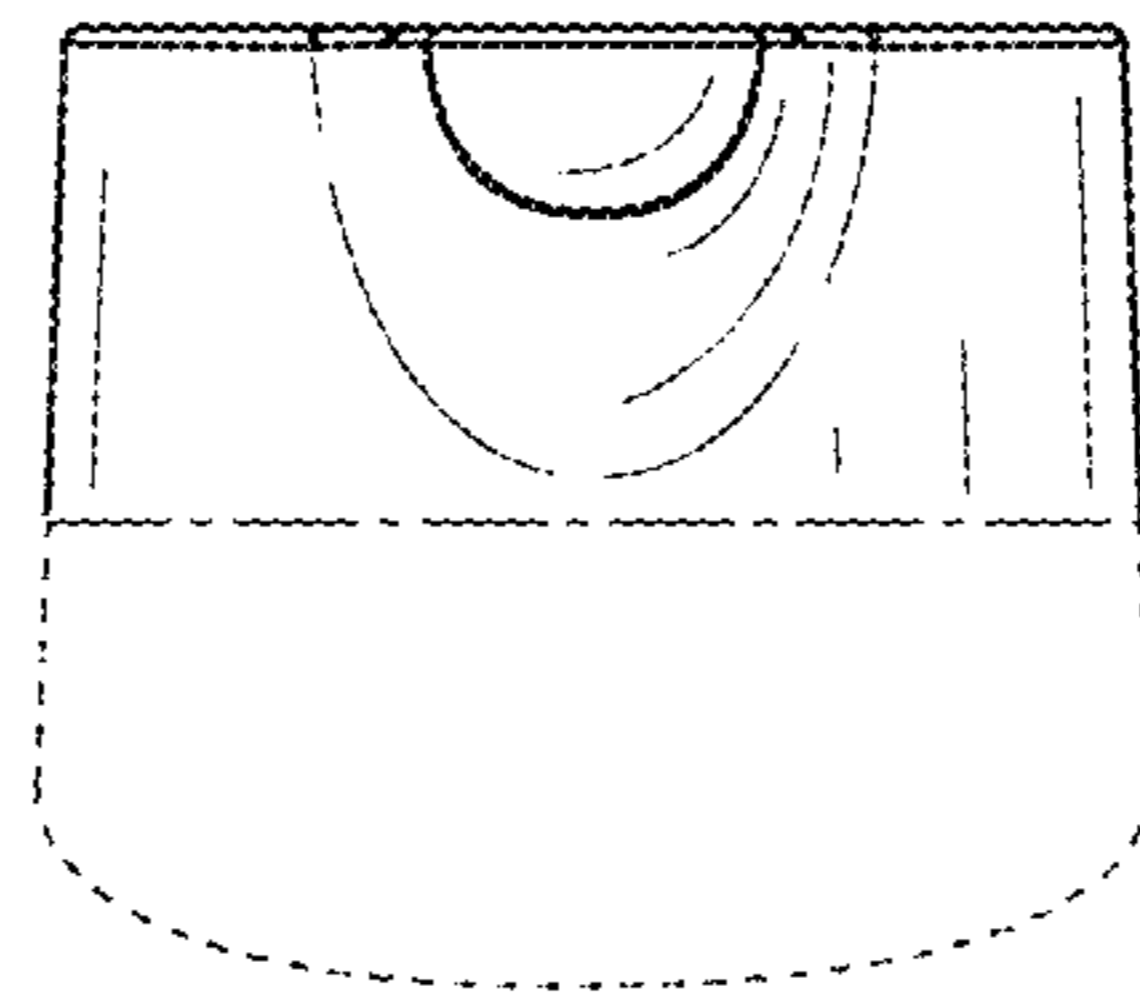


FIG. 4

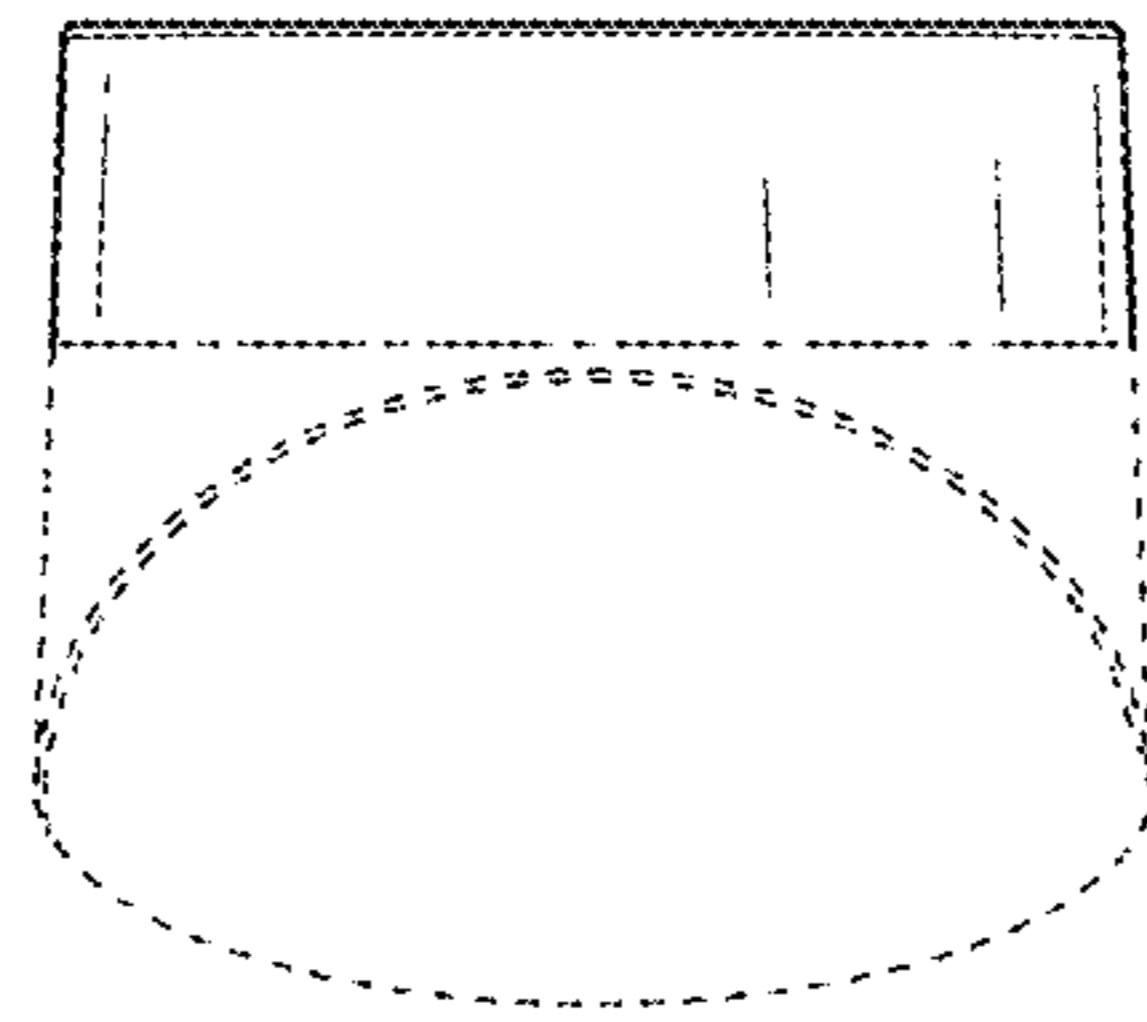


FIG. 5

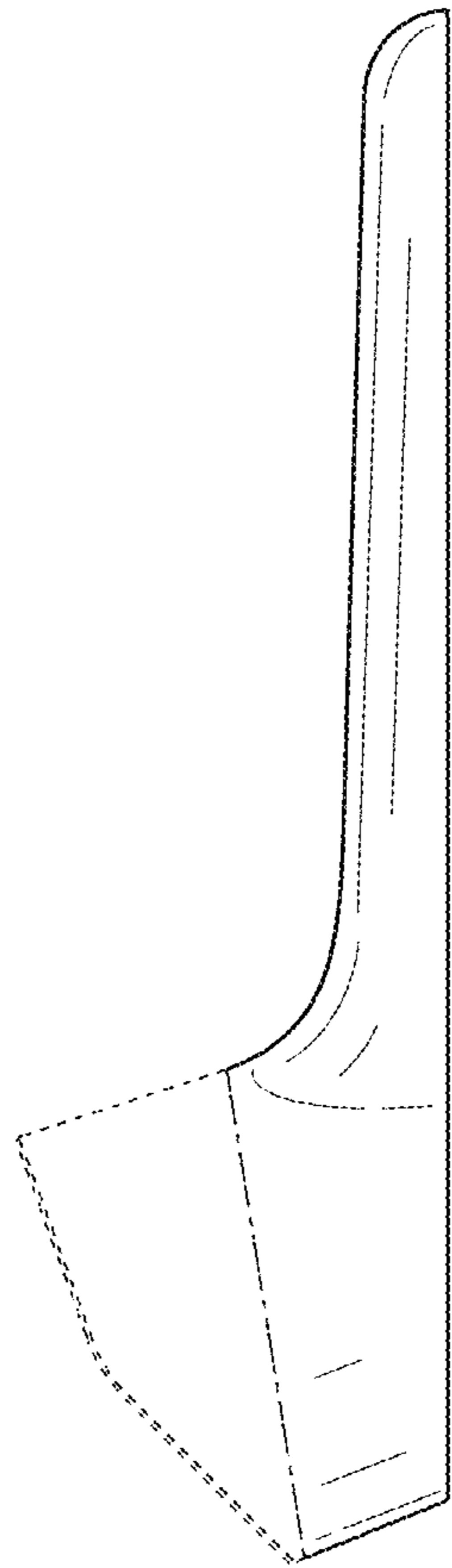


FIG. 6

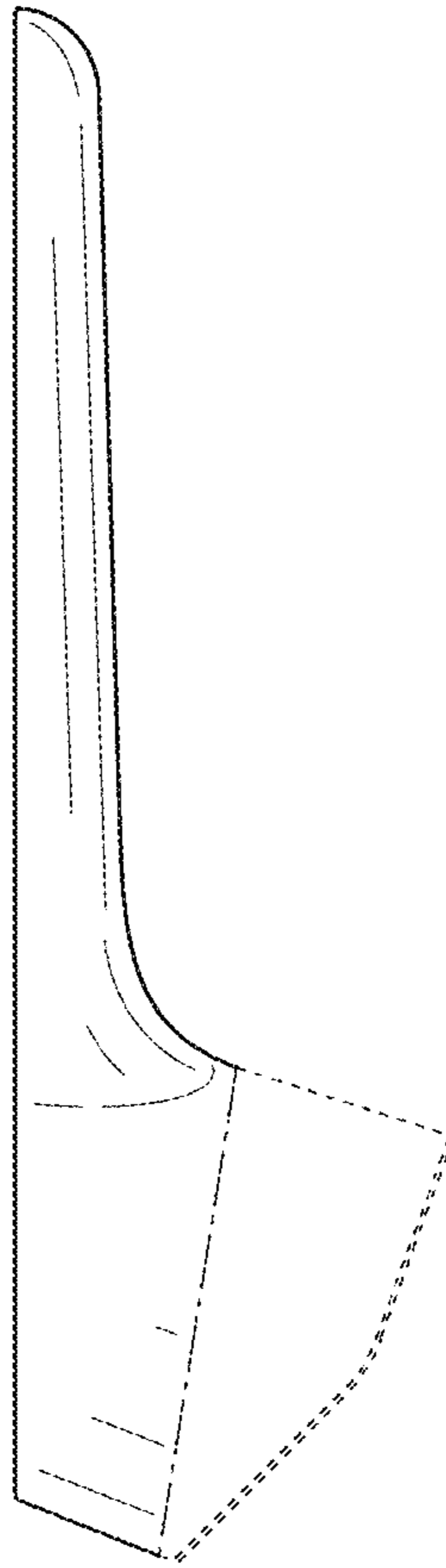


FIG. 7