



US00D833579S

(12) **United States Design Patent** (10) **Patent No.:** **US D833,579 S**
Flowers et al. (45) **Date of Patent:** **** Nov. 13, 2018**

(54) **SHOWER CONTROL**

(71) Applicant: **Grohe AG**, Hemer (DE)

(72) Inventors: **Paul Flowers**, London (GB); **Patrick De Arins Speck**, Curitiba-PR (BR)

(73) Assignee: **Grohe AG**, Hemer (DE)

(**) Term: **15 Years**

(21) Appl. No.: **29/598,876**

(22) Filed: **Mar. 29, 2017**

(30) **Foreign Application Priority Data**

Sep. 29, 2016 (EM) 003399161-0003

(51) **LOC (11) Cl.** **23-01**

(52) **U.S. Cl.**
USPC **D23/250; D23/304**

(58) **Field of Classification Search**
USPC D23/238, 241-243, 249-250, 252, 255,
D23/257, 239-240, 304; D08/300;
D06/527, 574, 546

CPC E03C 1/04; E03C 1/0401; E03C 1/0402;
E03C 1/0404; E03C 1/042; E03C 1/0409;
E03C 1/057; Y10T 137/9464

See application file for complete search history.

(56) **References Cited**

U.S. PATENT DOCUMENTS

3,633,223 A * 1/1972 Killias A47K 3/001
D23/240
D480,457 S * 10/2003 Dimitriadis D23/304
D534,989 S * 1/2007 Massaud D23/238

D596,718 S * 7/2009 Soulier D23/255
D617,877 S * 6/2010 Bouroullec D23/238
D622,360 S * 8/2010 Bouroullec D23/254
D648,825 S * 11/2011 Ando D23/228
D677,365 S * 3/2013 Schoenherr D23/238
D692,535 S * 10/2013 Kington D23/238
D764,634 S * 8/2016 Slothower D23/240
D813,998 S * 3/2018 Schoenherr D23/304
D820,413 S * 6/2018 Seum D23/254

OTHER PUBLICATIONS

Grohe Rainshower Smartcontrol. https://www.grohe.nl/nl_nl/badkamer/douchesystemen-rainshower-smartcontrol.html Aug. 30, 2018.*

* cited by examiner

Primary Examiner — Robert A Delehanty

(74) *Attorney, Agent, or Firm* — Muncy, Geissler, Olds & Lowe, P.C.

(57) **CLAIM**

The ornamental design for a shower control, as shown and described.

DESCRIPTION

FIG. 1 is a front perspective view of a shower control according to the present invention.

FIG. 2 is a front view of the shower control of FIG. 1.

FIG. 3 is a rear view of the shower control of FIG. 1.

FIG. 4 is a left side view of the shower control of FIG. 1.

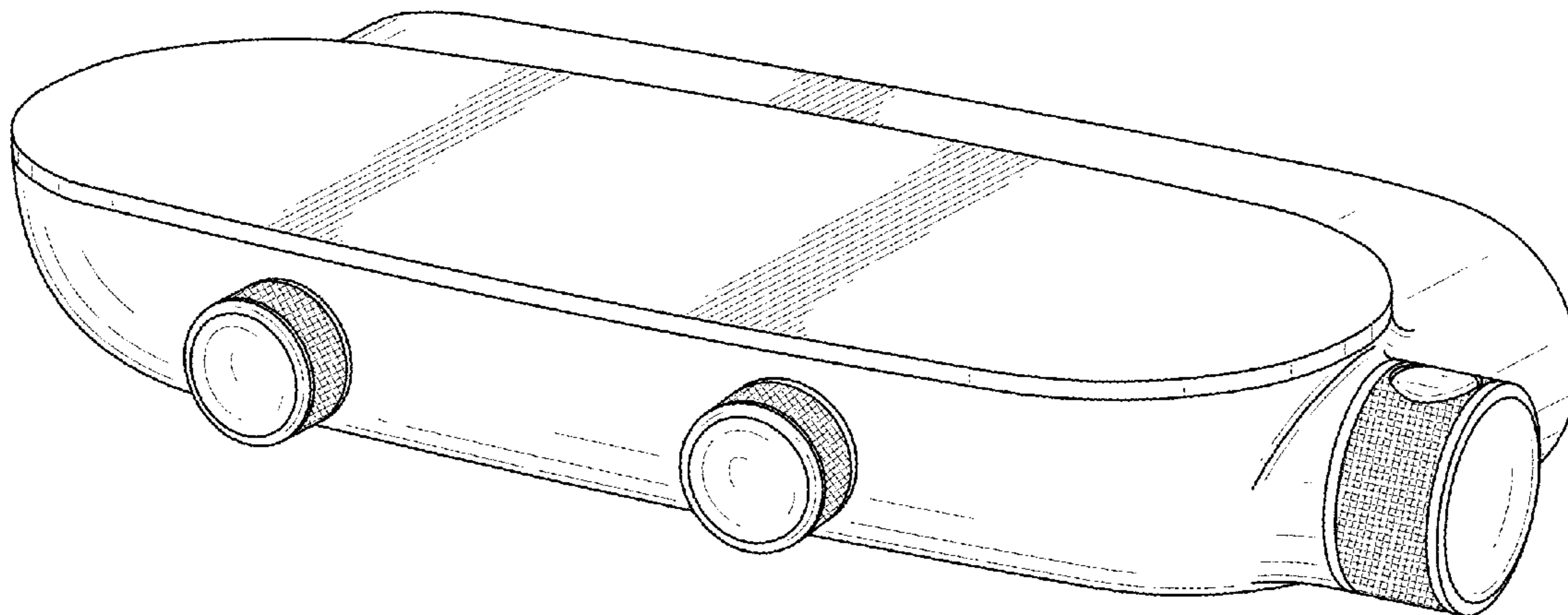
FIG. 5 is a right side view of the shower control of FIG. 1.

FIG. 6 is a top view of the shower control of FIG. 1; and,

FIG. 7 is a bottom view of the shower control of FIG. 1.

The dashed lines illustrate environment that does not form a part of the present invention, and no claim is made to the material illustrated with dashed lines.

1 Claim, 7 Drawing Sheets



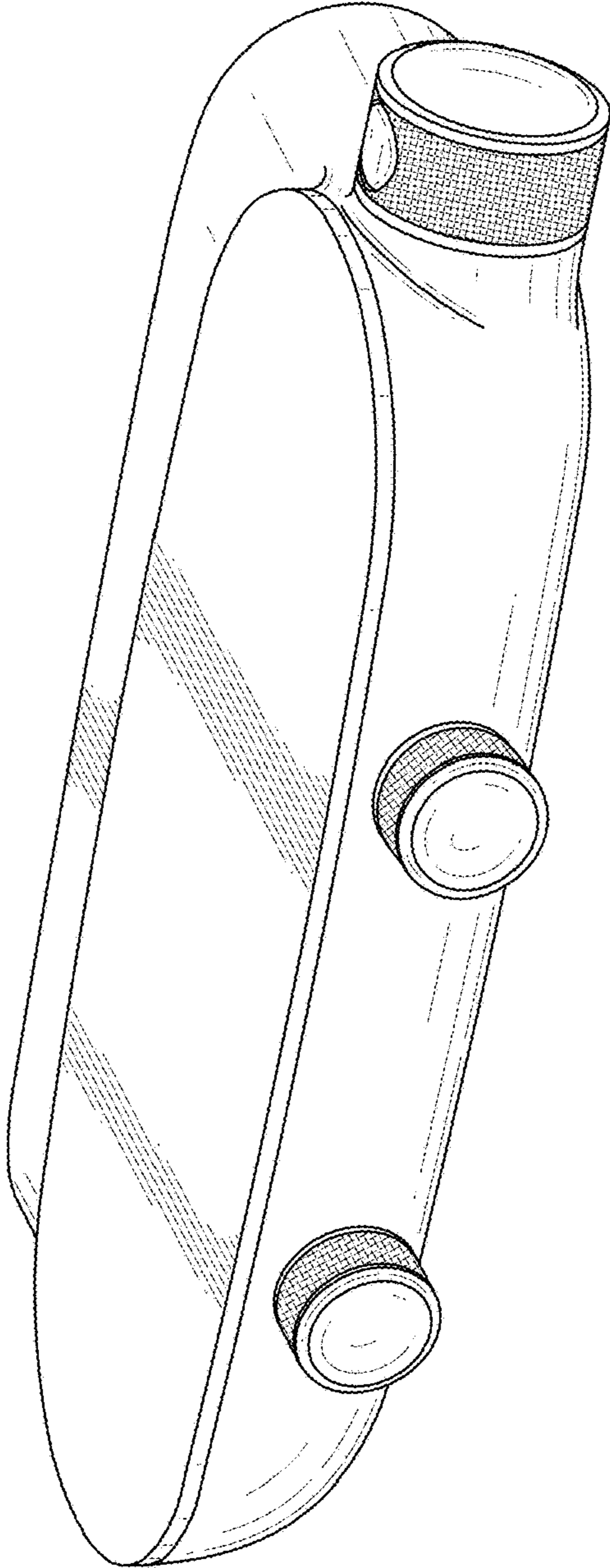


FIG.1

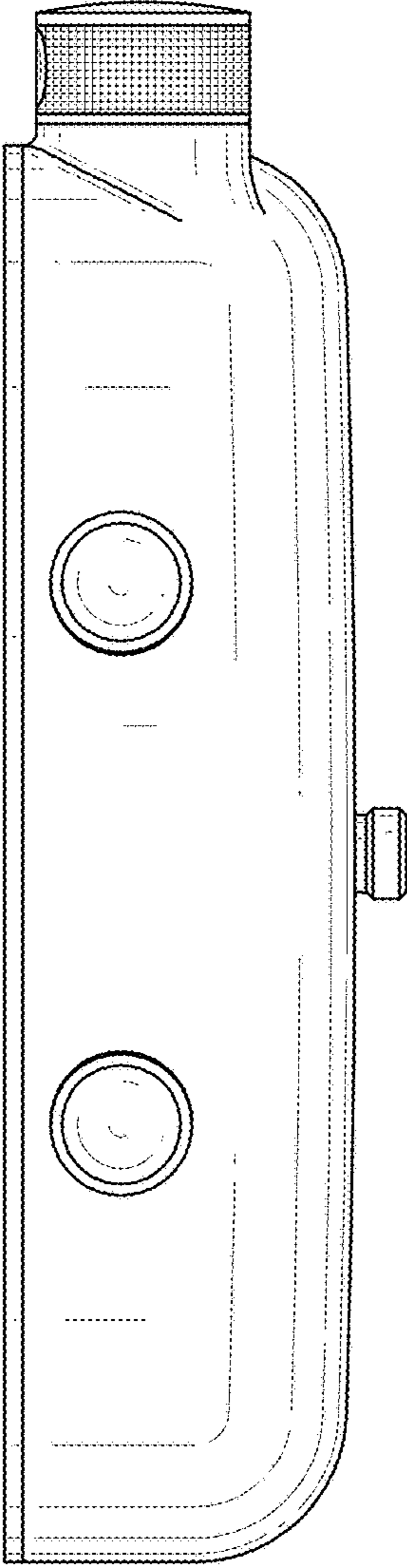


FIG.2

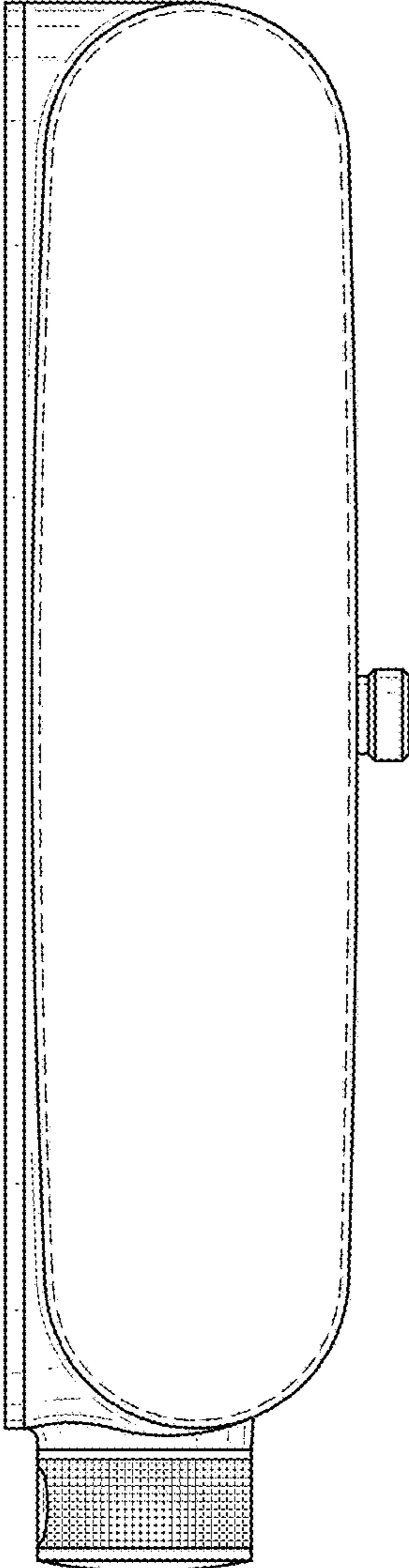


FIG.3

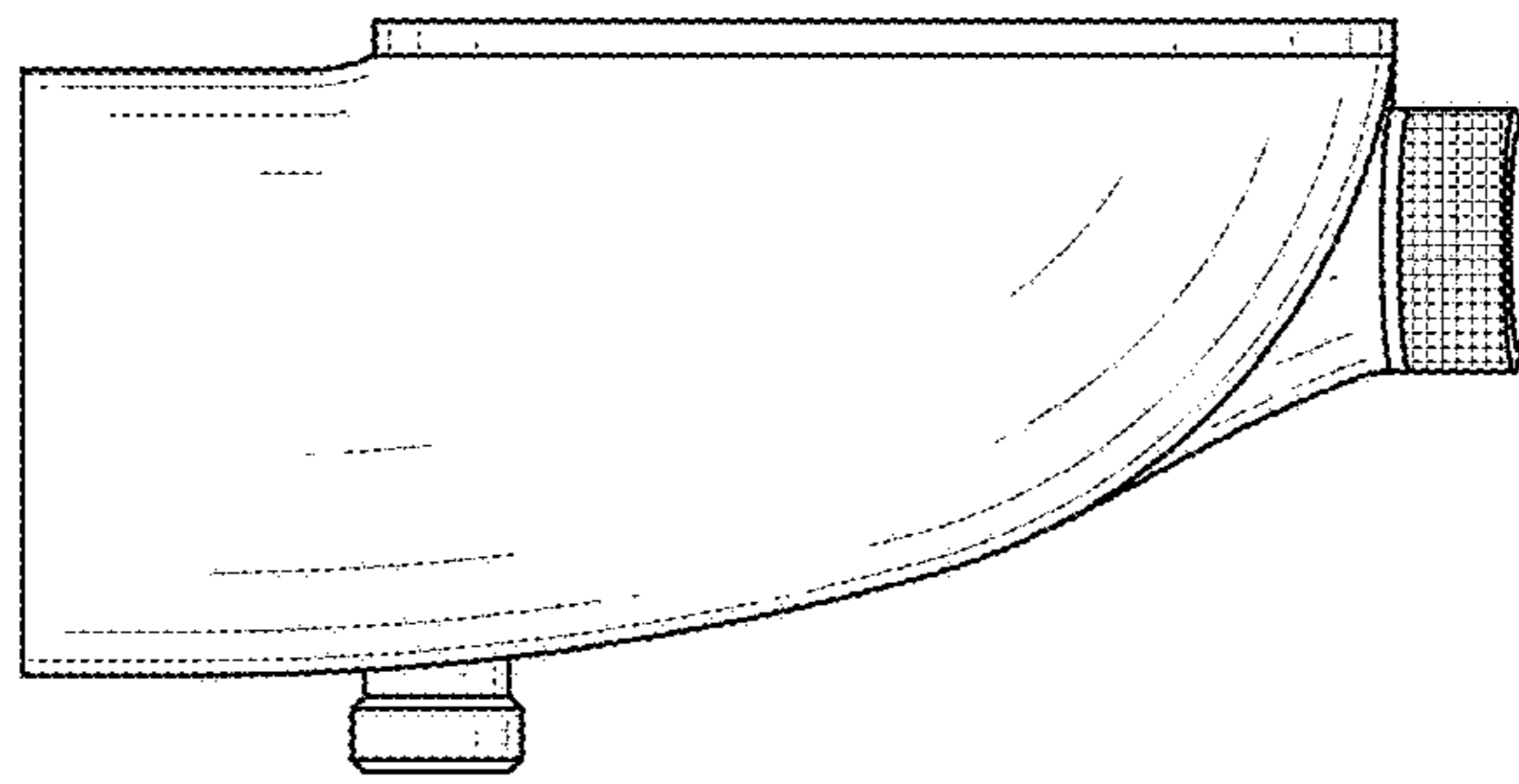


FIG.4

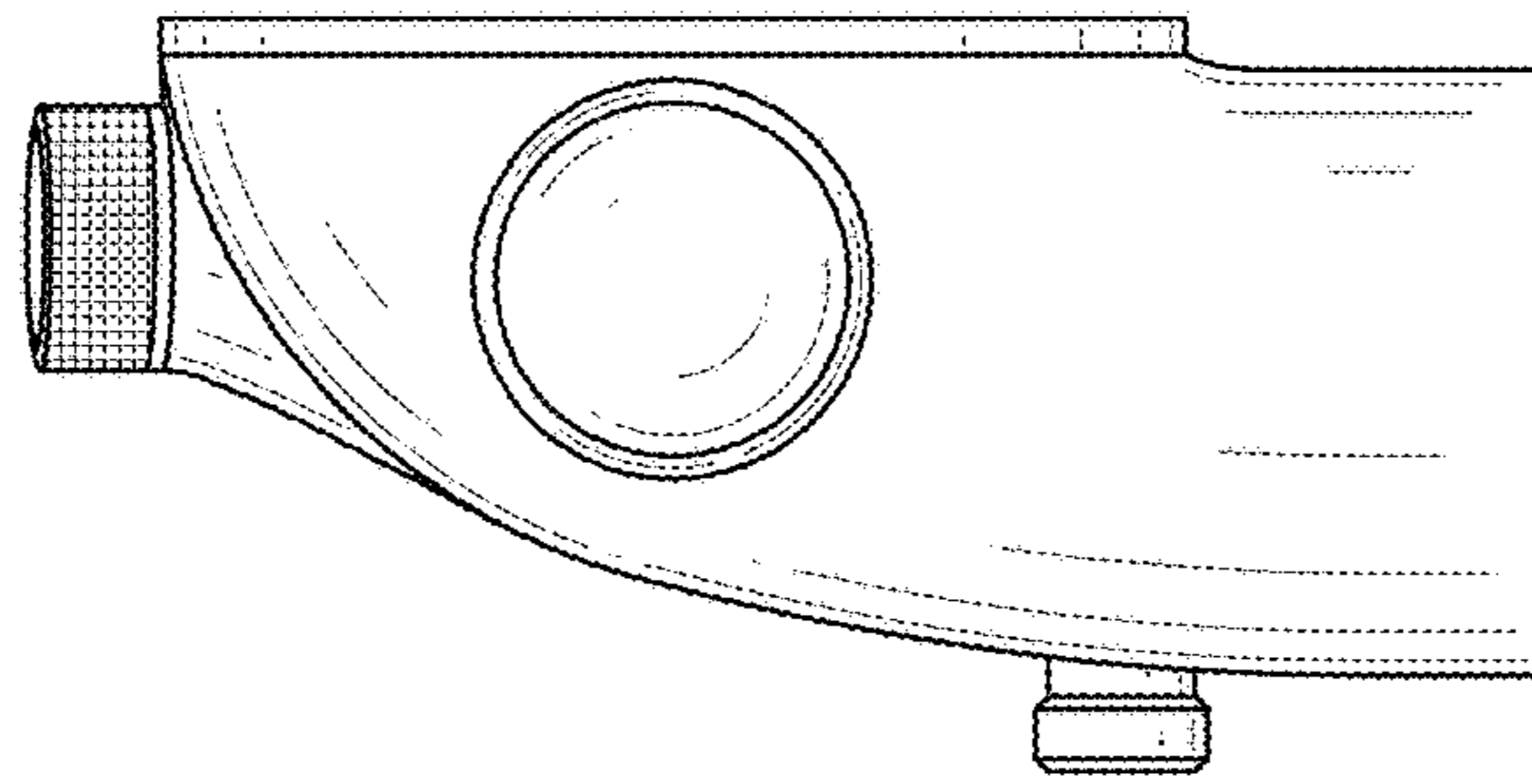


FIG.5

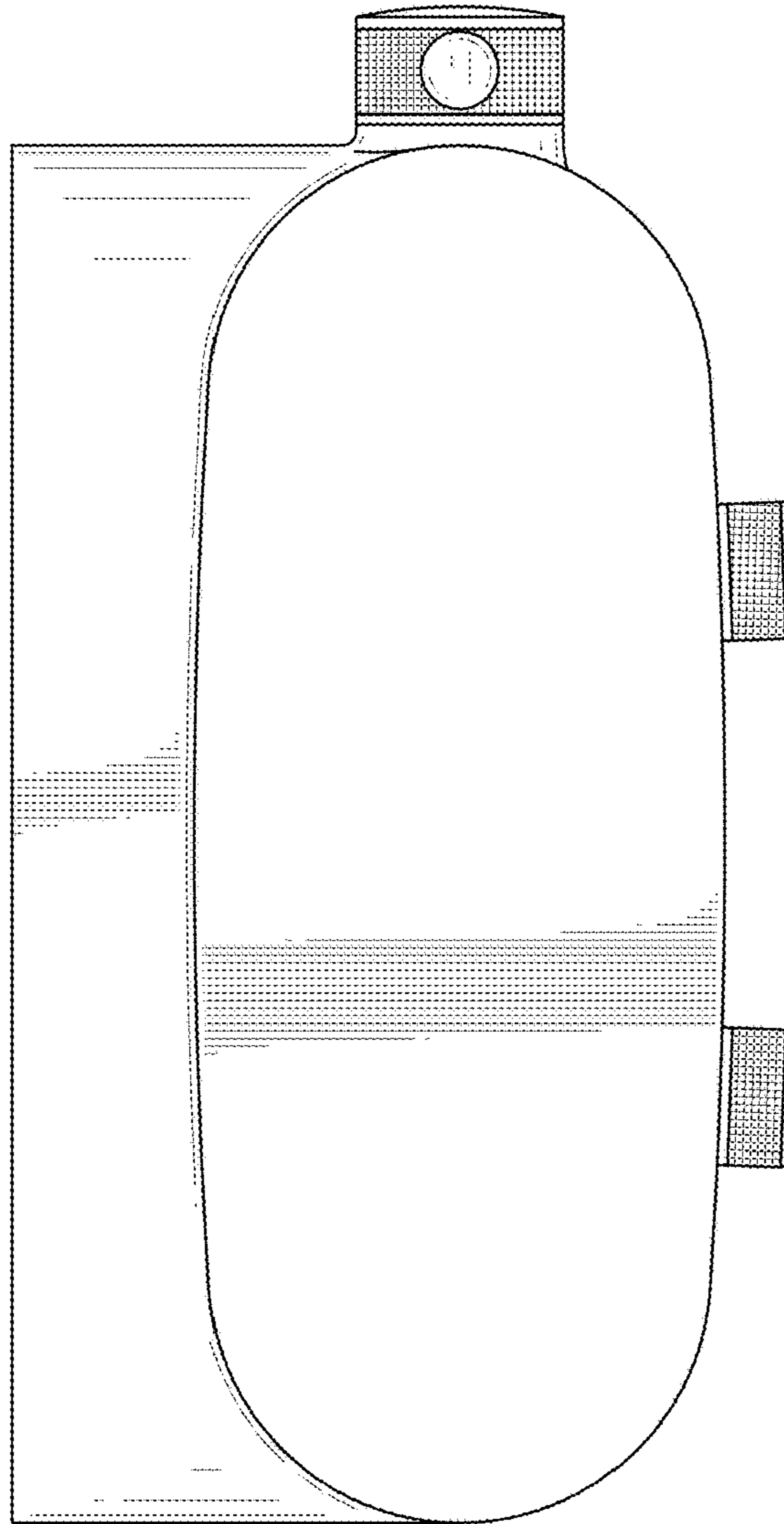


FIG.6

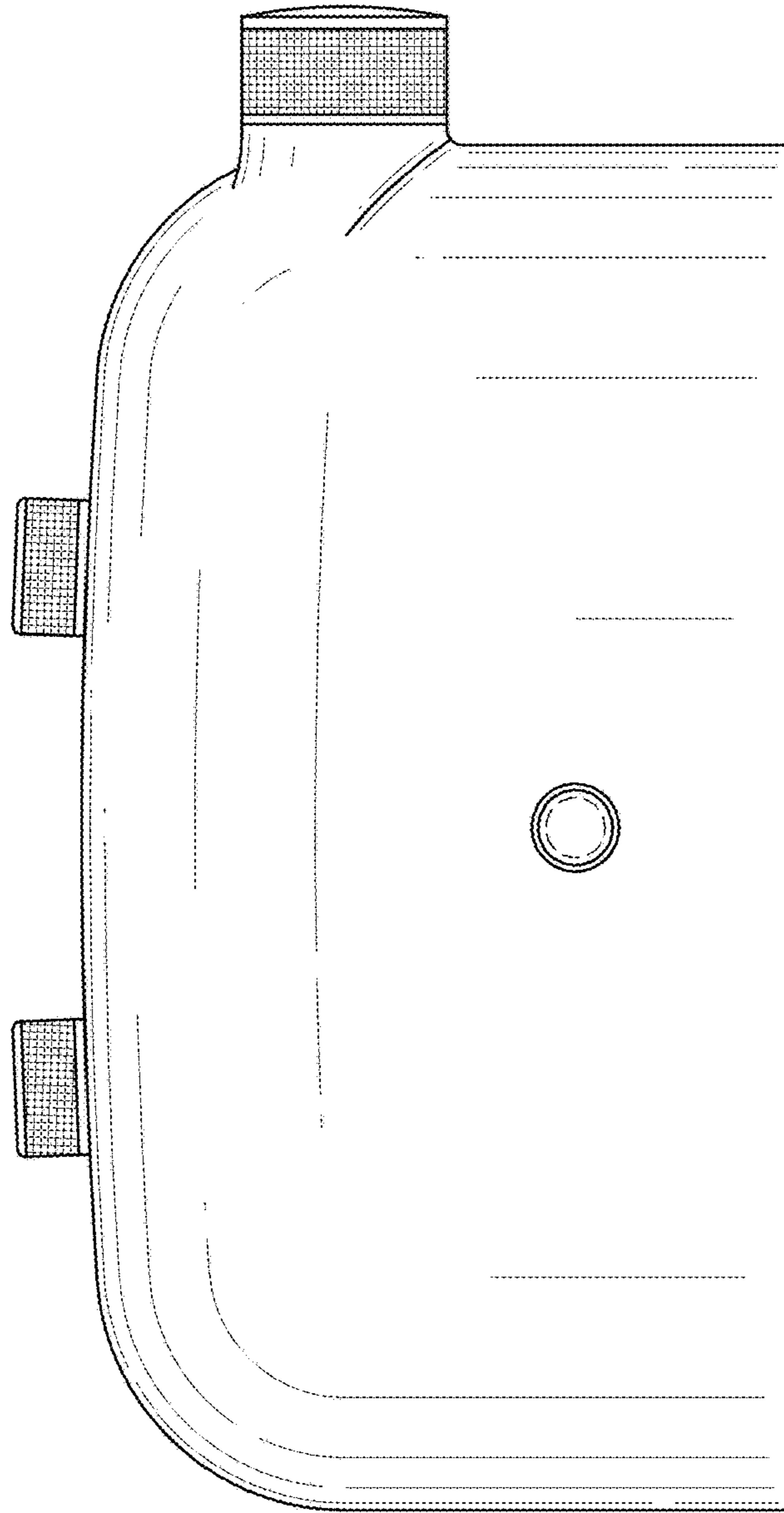


FIG.7