



US00D833576S

(12) **United States Design Patent** (10) **Patent No.:** **US D833,576 S**  
**Lee et al.** (45) **Date of Patent:** **\*\* Nov. 13, 2018**

(54) **FAUCET**

*Primary Examiner* — Robert A Delehanty

(71) Applicant: **Kohler (China) Investment Co., Ltd,**  
Shanghai (CN)

(74) *Attorney, Agent, or Firm* — Foley & Lardner LLP

(72) Inventors: **Chia-Ying Lee**, Chicago, IL (US);  
**Manki Yoo**, Skokie, IL (US); **Jimin Niu**, Beijing (CN)

(57) **CLAIM**

We claim the ornamental design for a faucet, as shown and described.

(73) Assignee: **Kohler (China) Investment Co., Ltd**  
(CN)

(\*\*) Term: **15 Years**

**DESCRIPTION**

(21) Appl. No.: **29/601,662**

FIG. 1 is a top, front, right, perspective view of an embodiment of the claimed design;

(22) Filed: **Apr. 25, 2017**

FIG. 2 is a front elevation view thereof;

(30) **Foreign Application Priority Data**

FIG. 3 is a rear elevation view thereof;

Oct. 28, 2016 (CN) ..... 2016 3 0537402

FIG. 4 is a right side elevation view thereof;

(51) **LOC (11) Cl.** ..... **23-01**

FIG. 5 is a left side elevation view thereof;

(52) **U.S. Cl.**

FIG. 6 is a top plan view thereof;

USPC ..... **D23/238**

FIG. 7 is a bottom plan view thereof;

(58) **Field of Classification Search**

FIG. 8 is a top, front, right, perspective view of another embodiment of the claimed design;

USPC ..... D23/238–242, 249, 255, 257

FIG. 9 is a front elevation view thereof;

CPC ..... Y10T 137/9464

FIG. 10 is a rear elevation view thereof;

See application file for complete search history.

FIG. 11 is a right side elevation view thereof;

(56) **References Cited**

FIG. 12 is a left side elevation view thereof;

**U.S. PATENT DOCUMENTS**

FIG. 13 is a top plan view thereof; and,

D291,241 S \* 8/1987 Rademacher ..... D23/257

FIG. 14 is a bottom plan view thereof.

D312,681 S \* 12/1990 Kohler, Jr. .... D23/255

The ornamental design which is claimed is shown in solid lines in the drawings. The broken lines in the drawings are for illustrative purposes only and form no part of the claimed design. Broken lines formed by equal length dashes show unclaimed subject matter. Broken lines formed by unequal length dashes (i.e., dash-dot) define bounds of the claimed design.

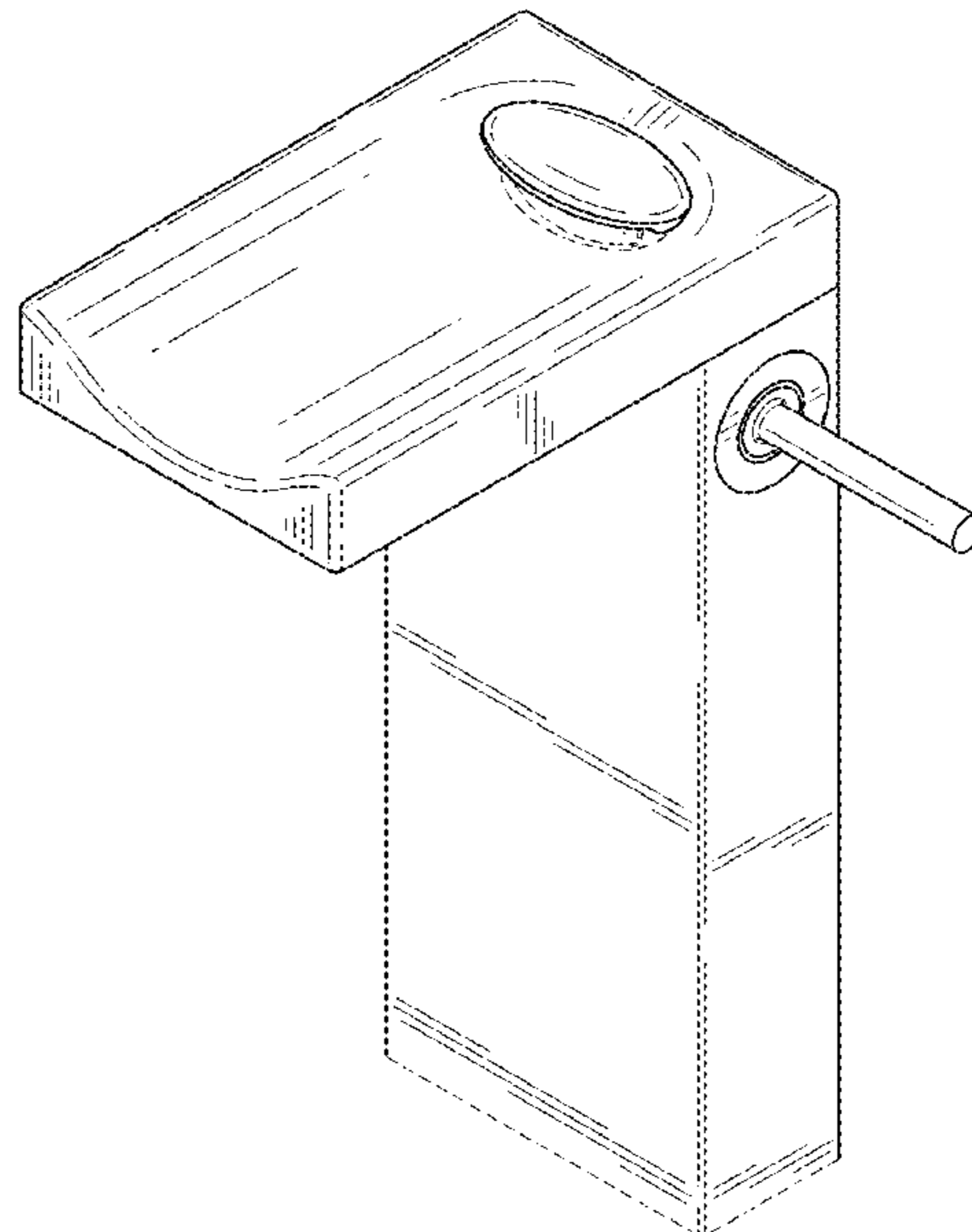
D465,556 S \* 11/2002 Ouyoung ..... D23/238

D503,217 S \* 3/2005 Aubry ..... D23/238

D543,415 S \* 5/2007 Duranti ..... D23/328

\* cited by examiner

**1 Claim, 10 Drawing Sheets**



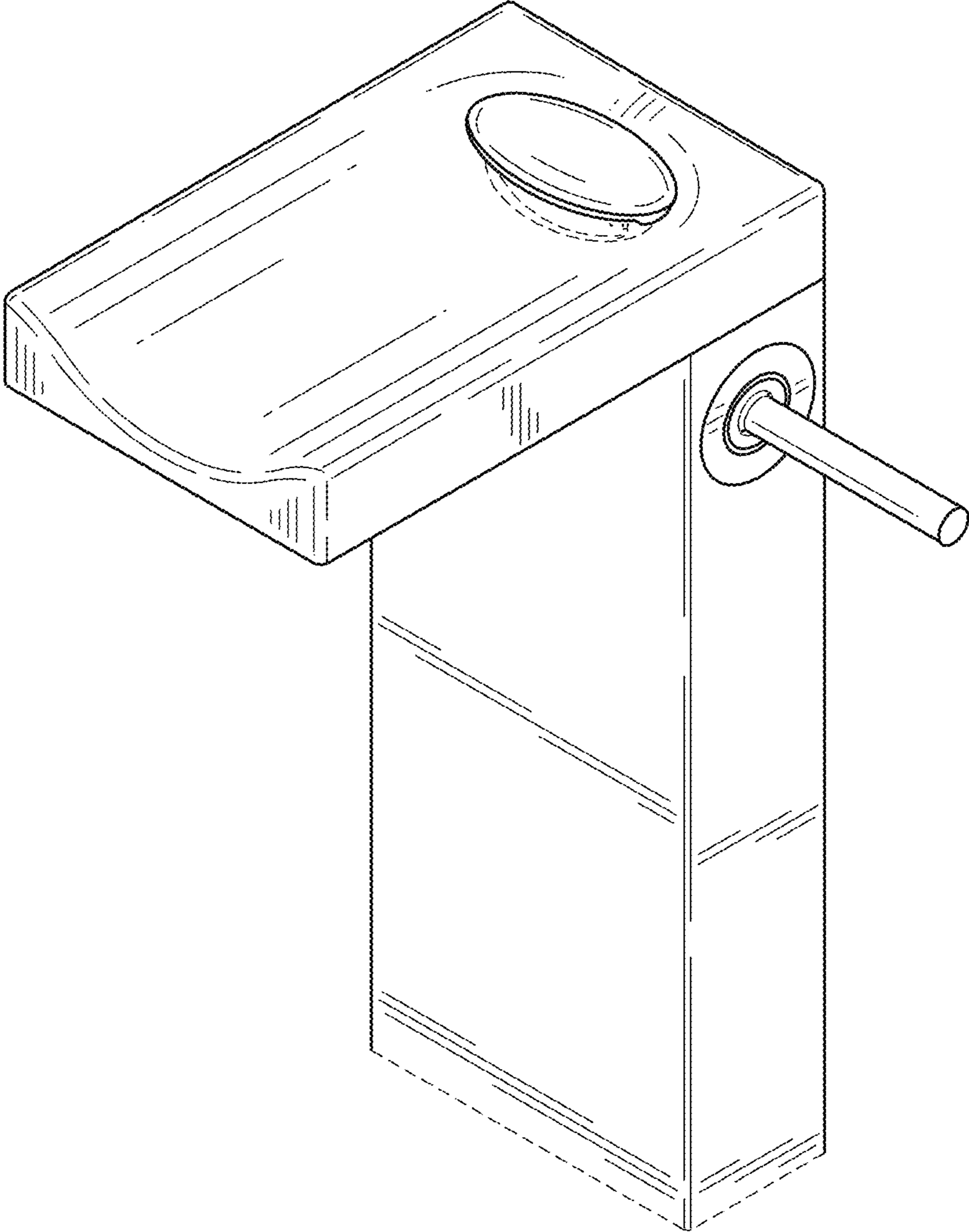


FIG. 1

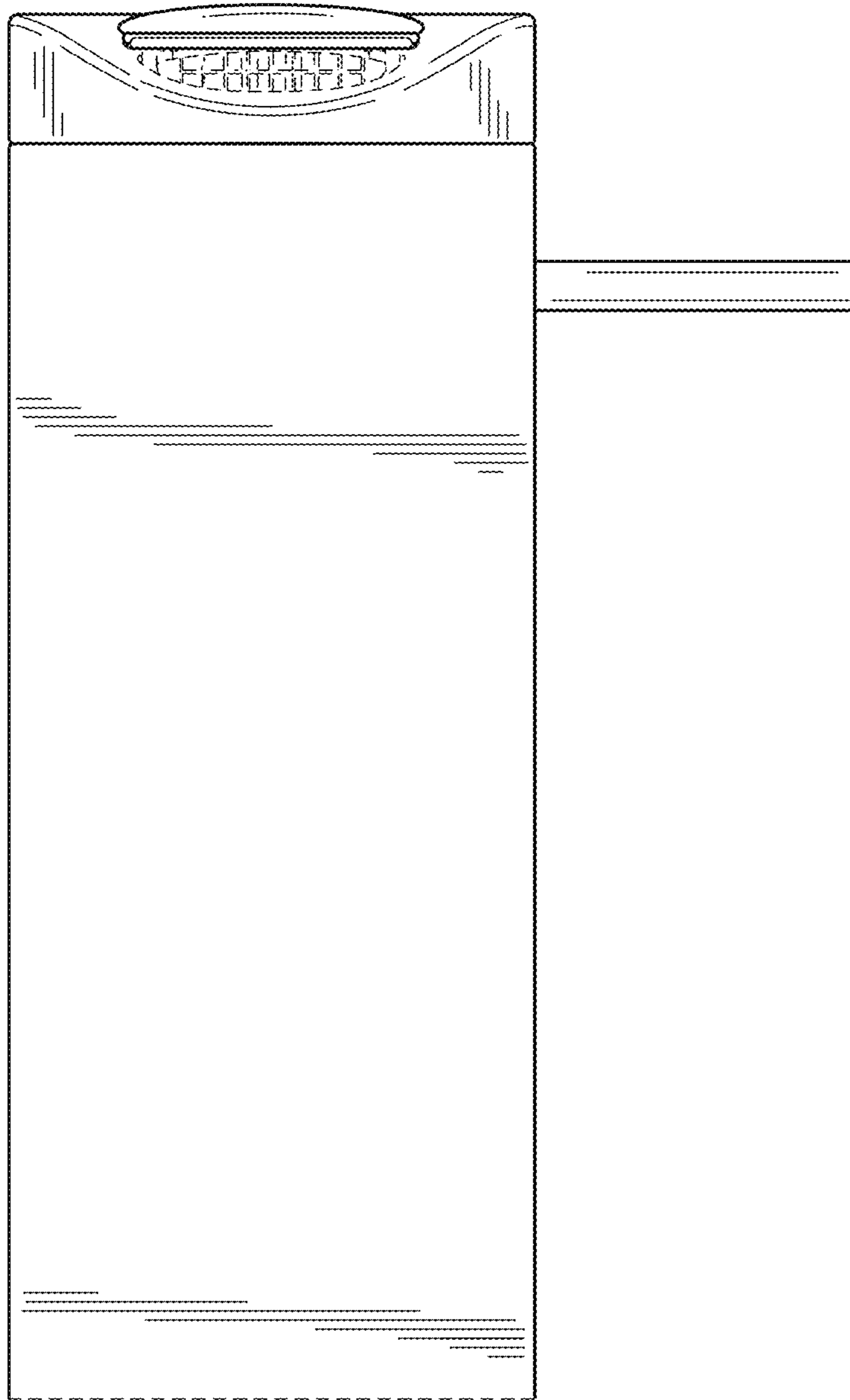


FIG. 2

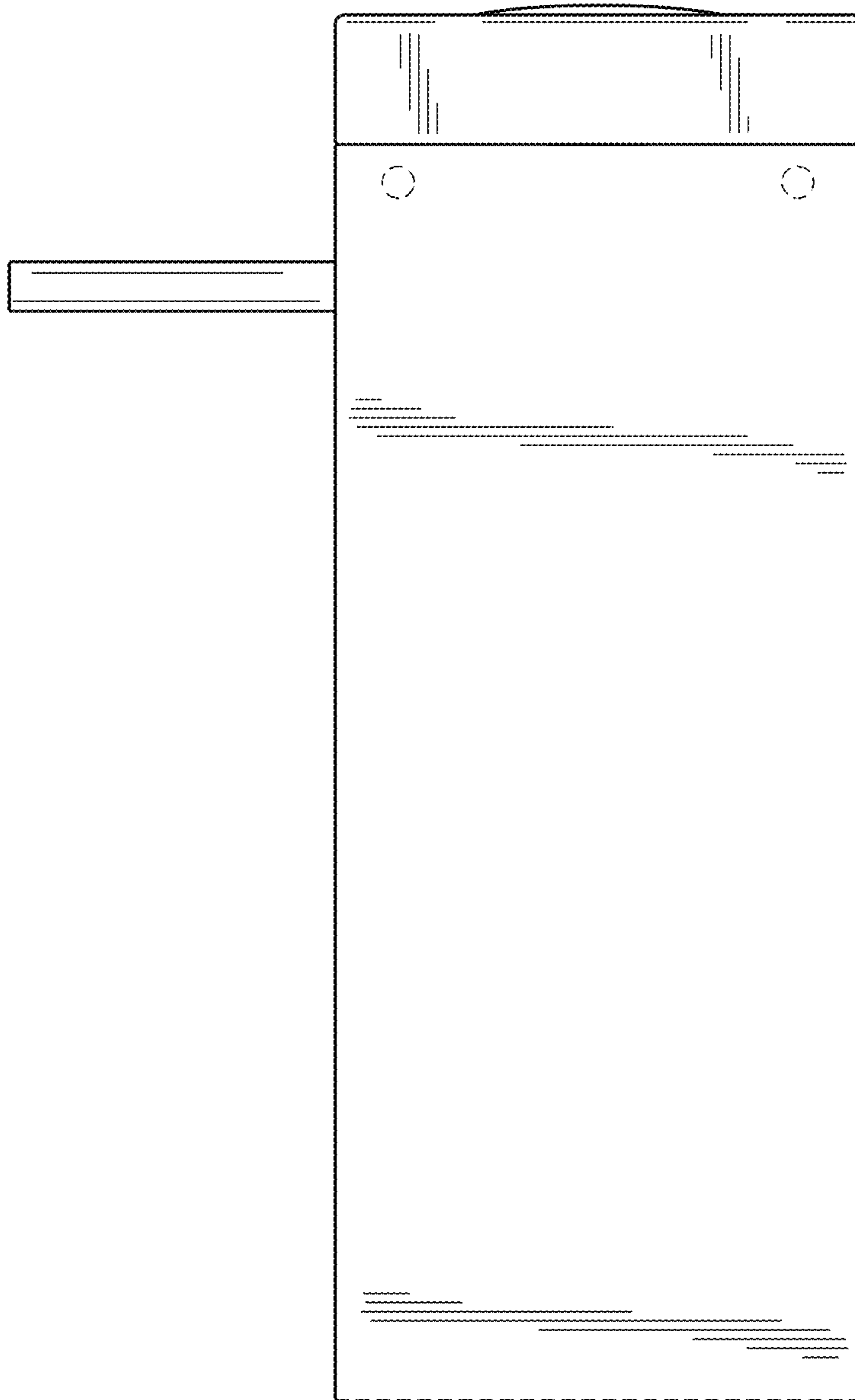


FIG. 3

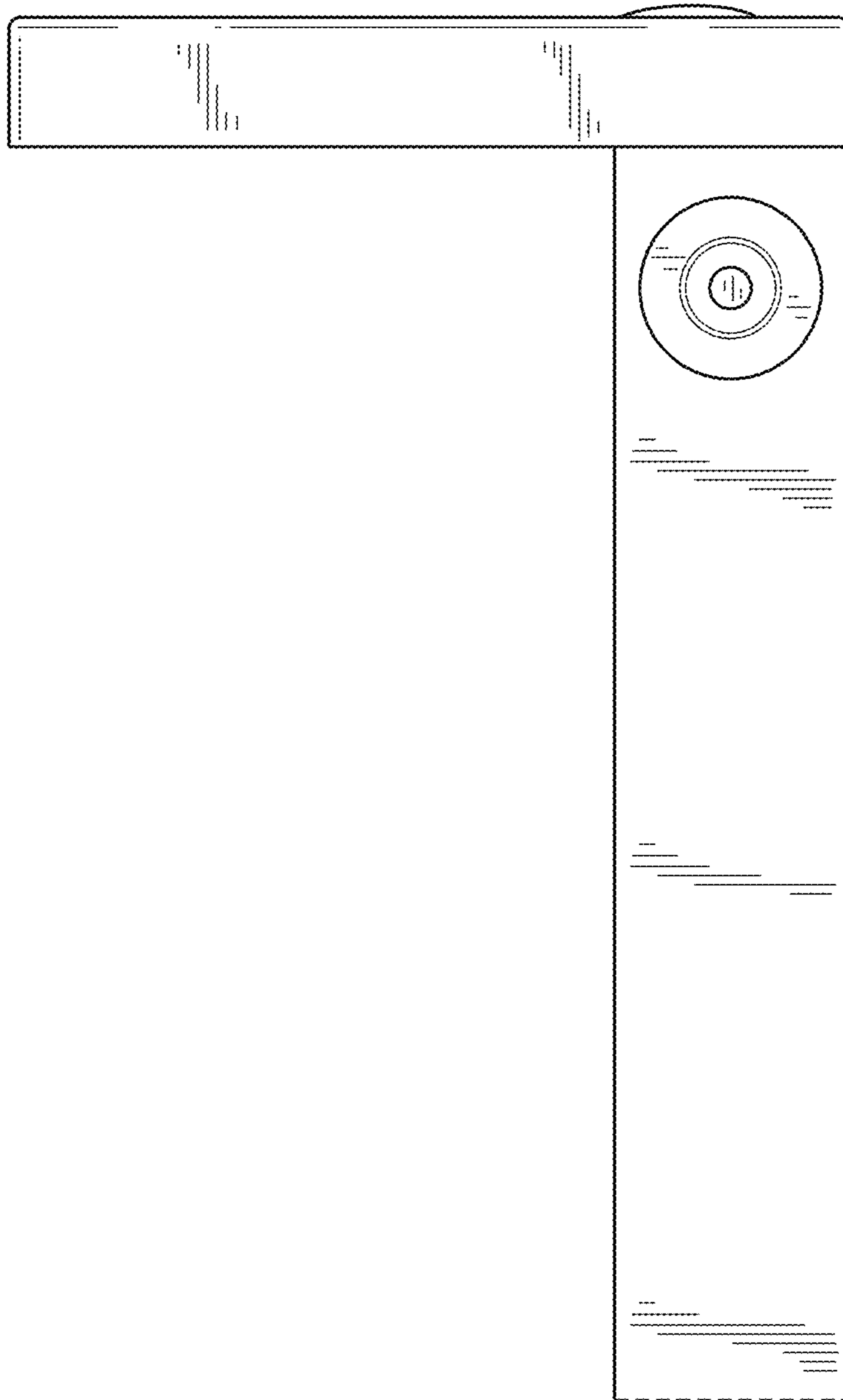


FIG. 4

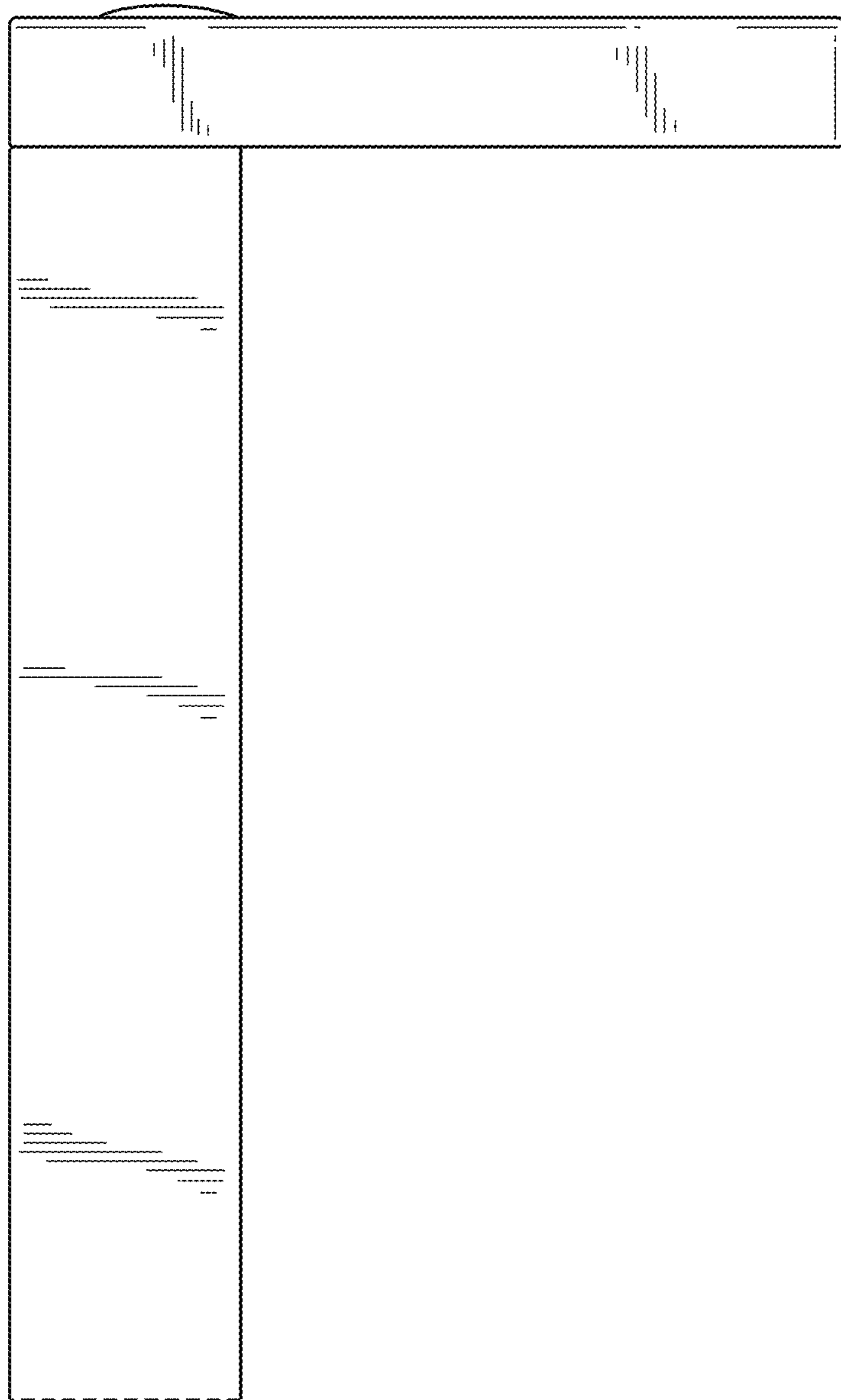


FIG. 5

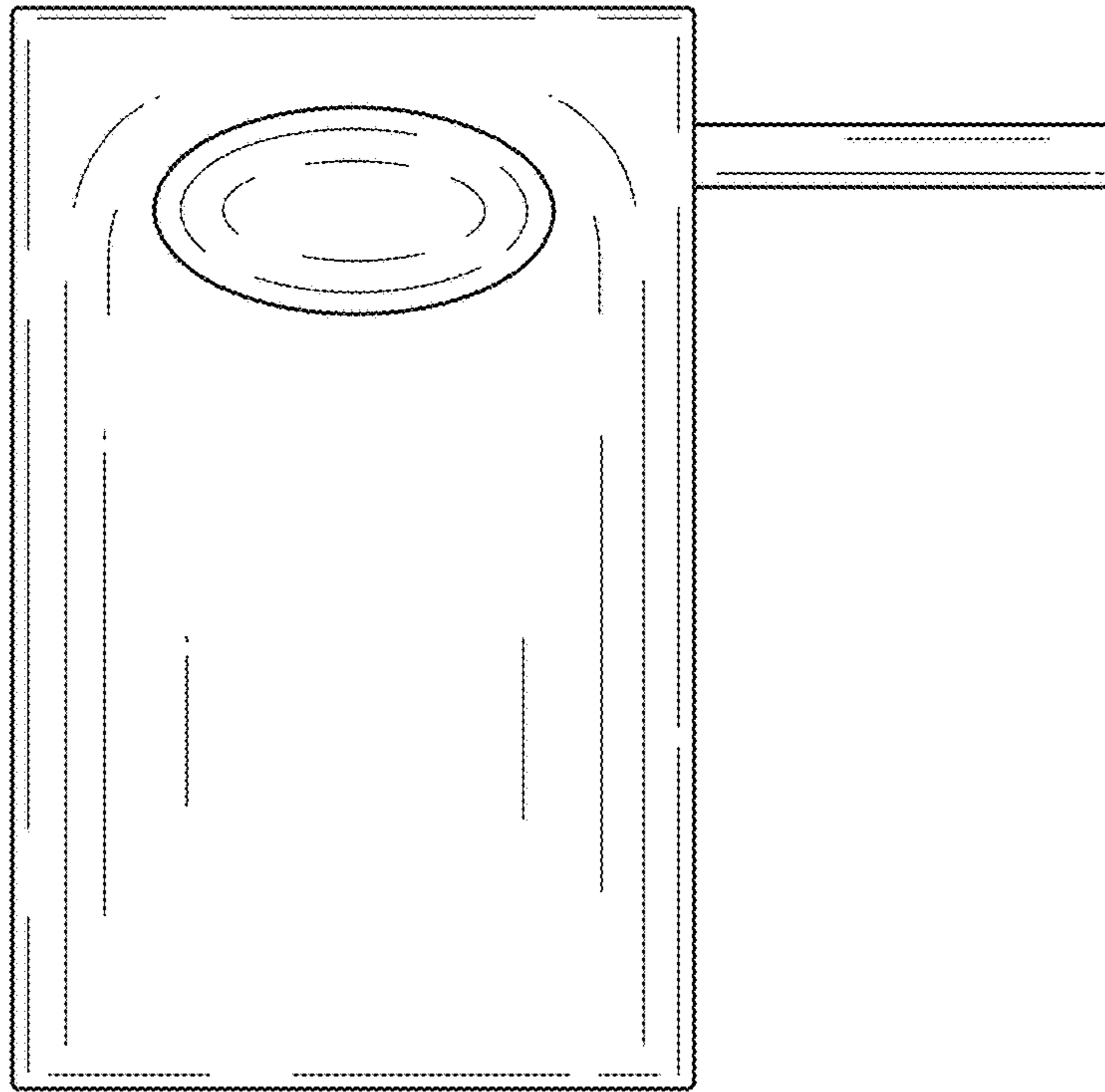


FIG. 6

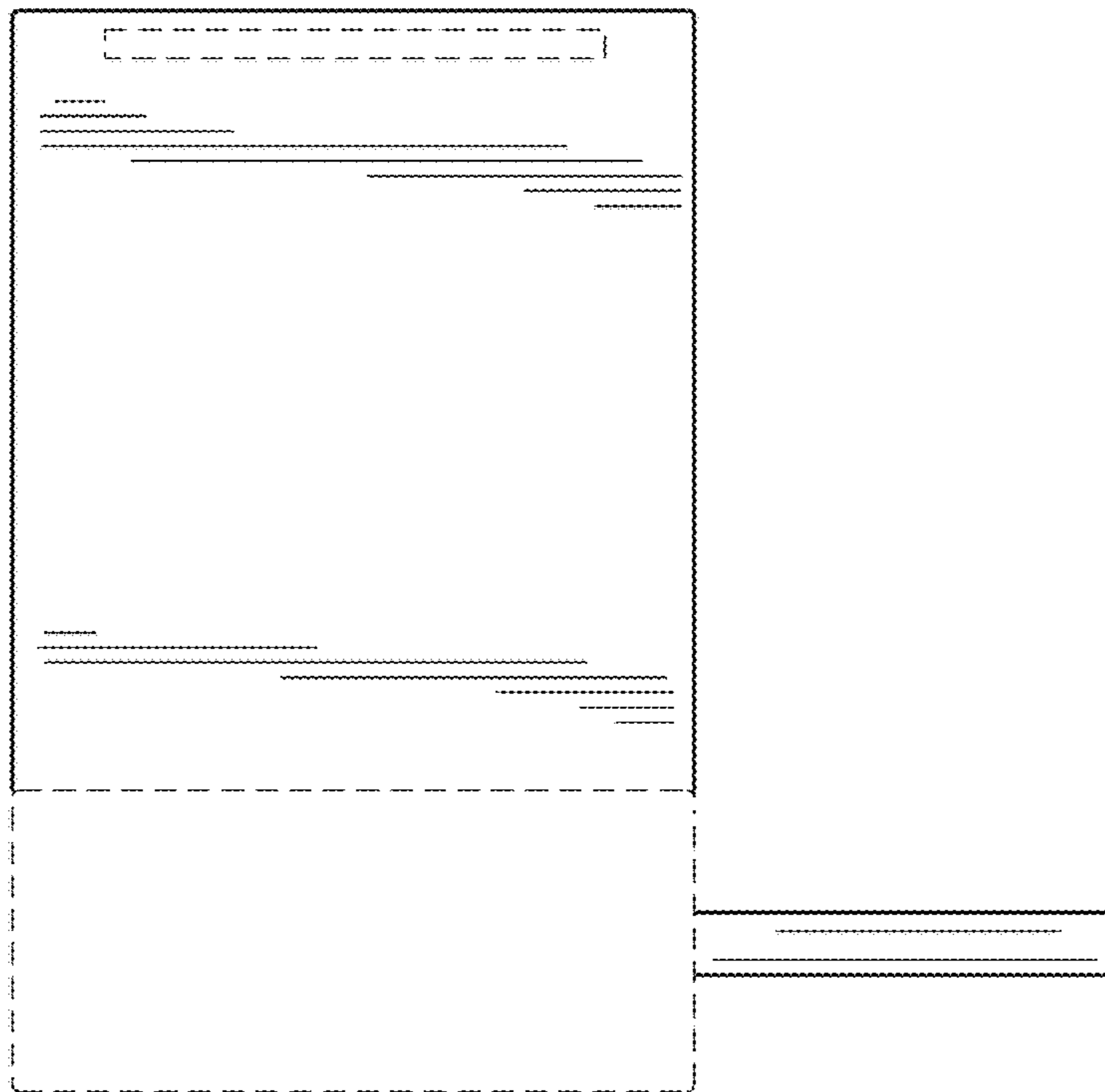


FIG. 7

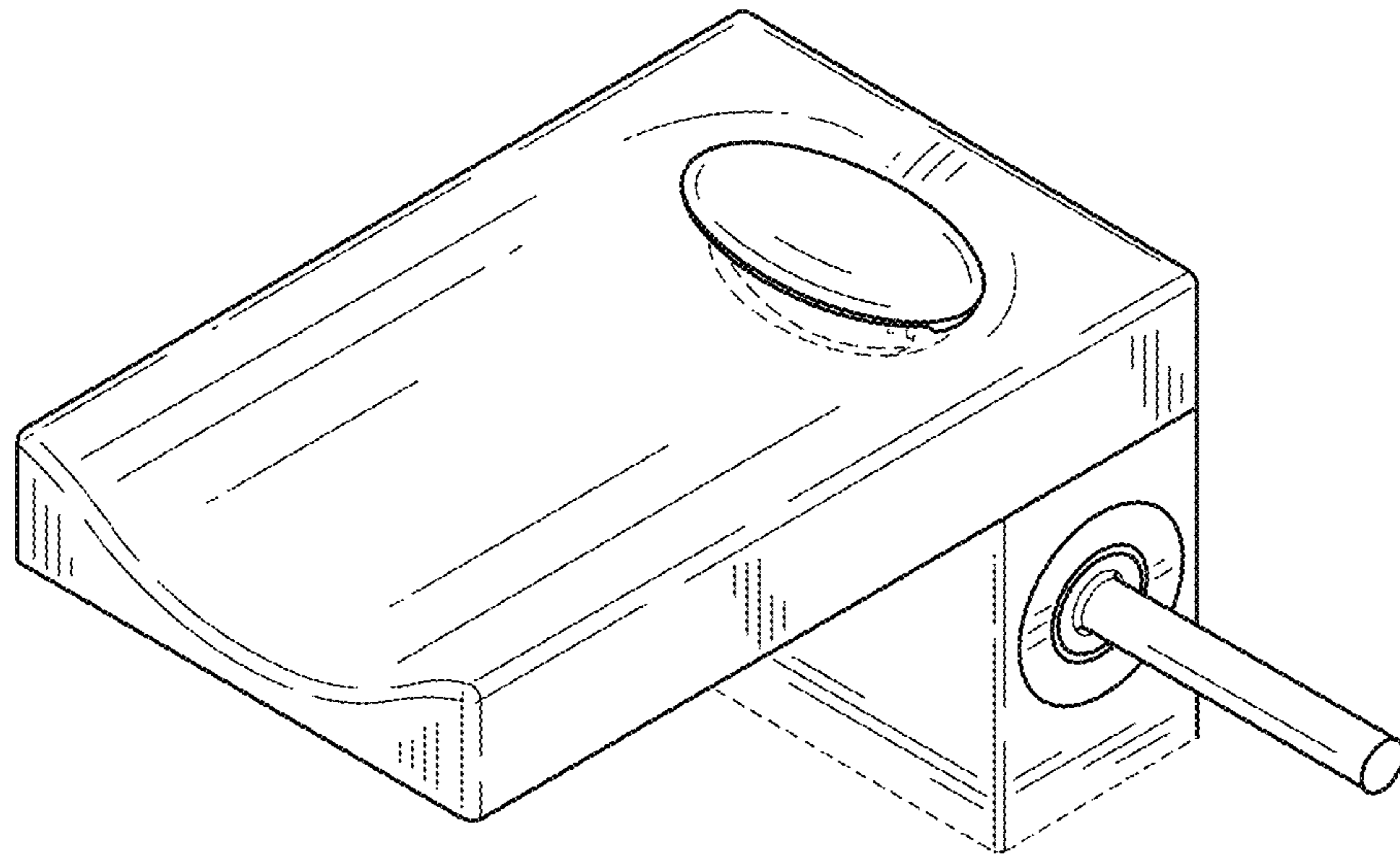


FIG. 8



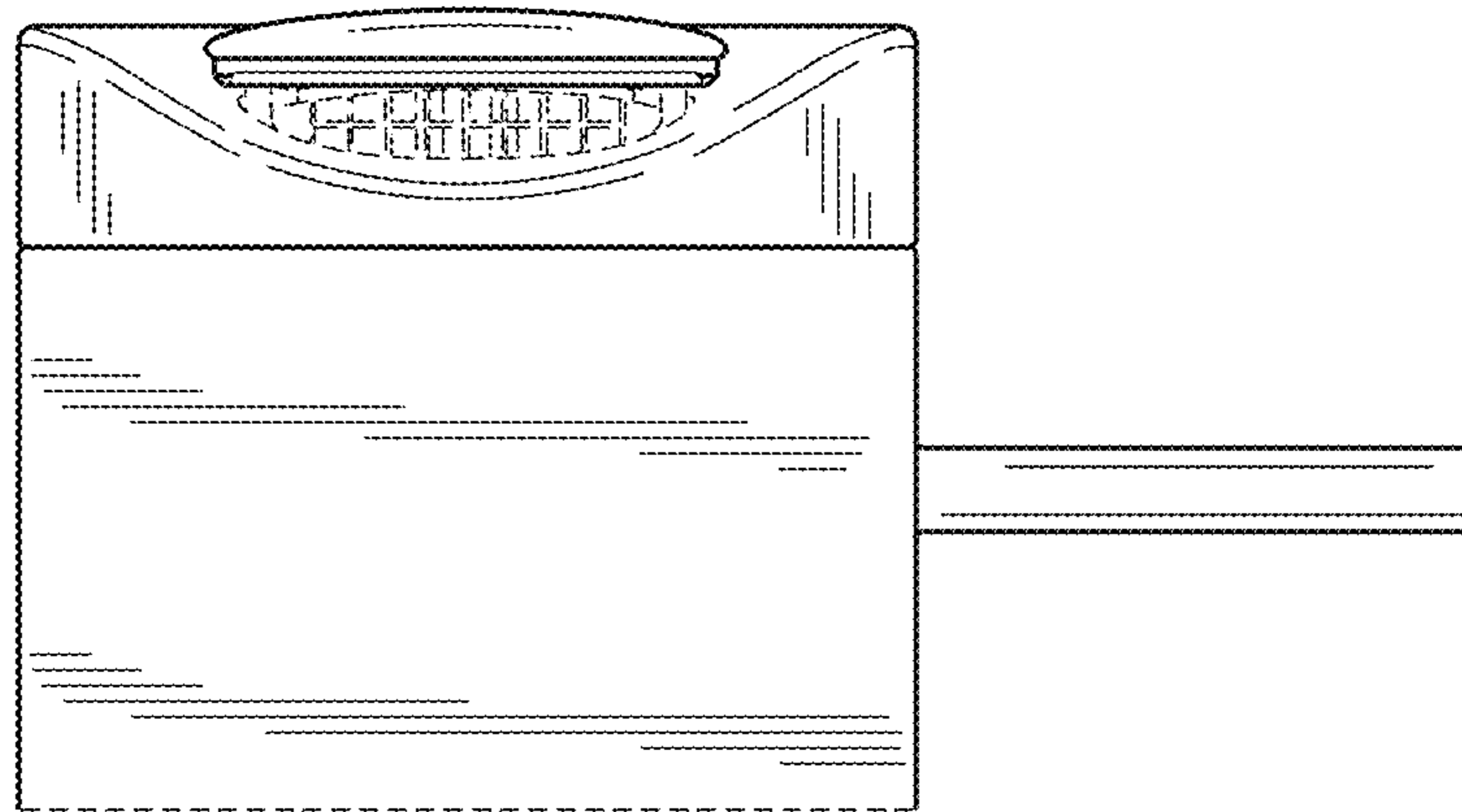


FIG. 9

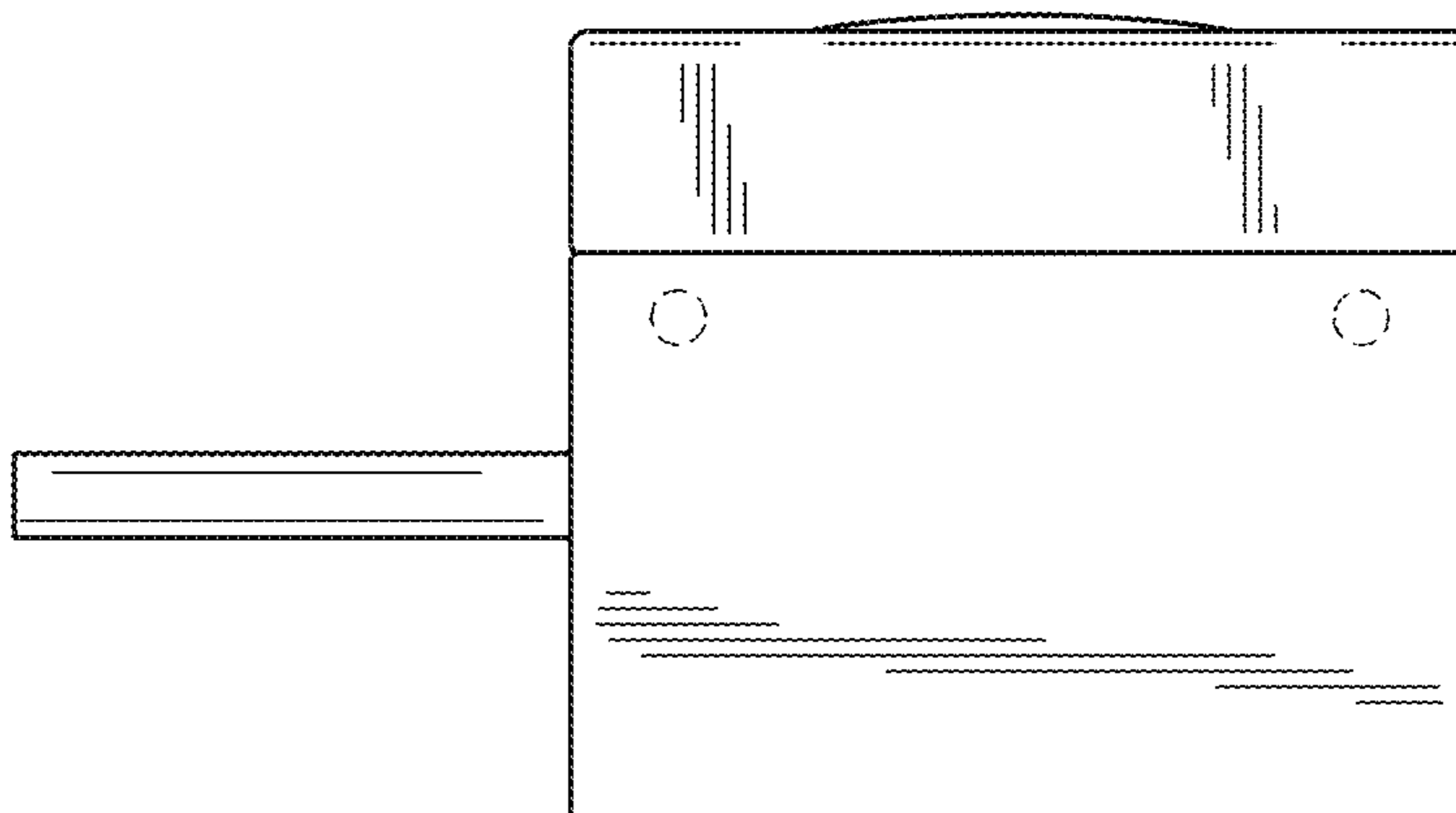


FIG. 10

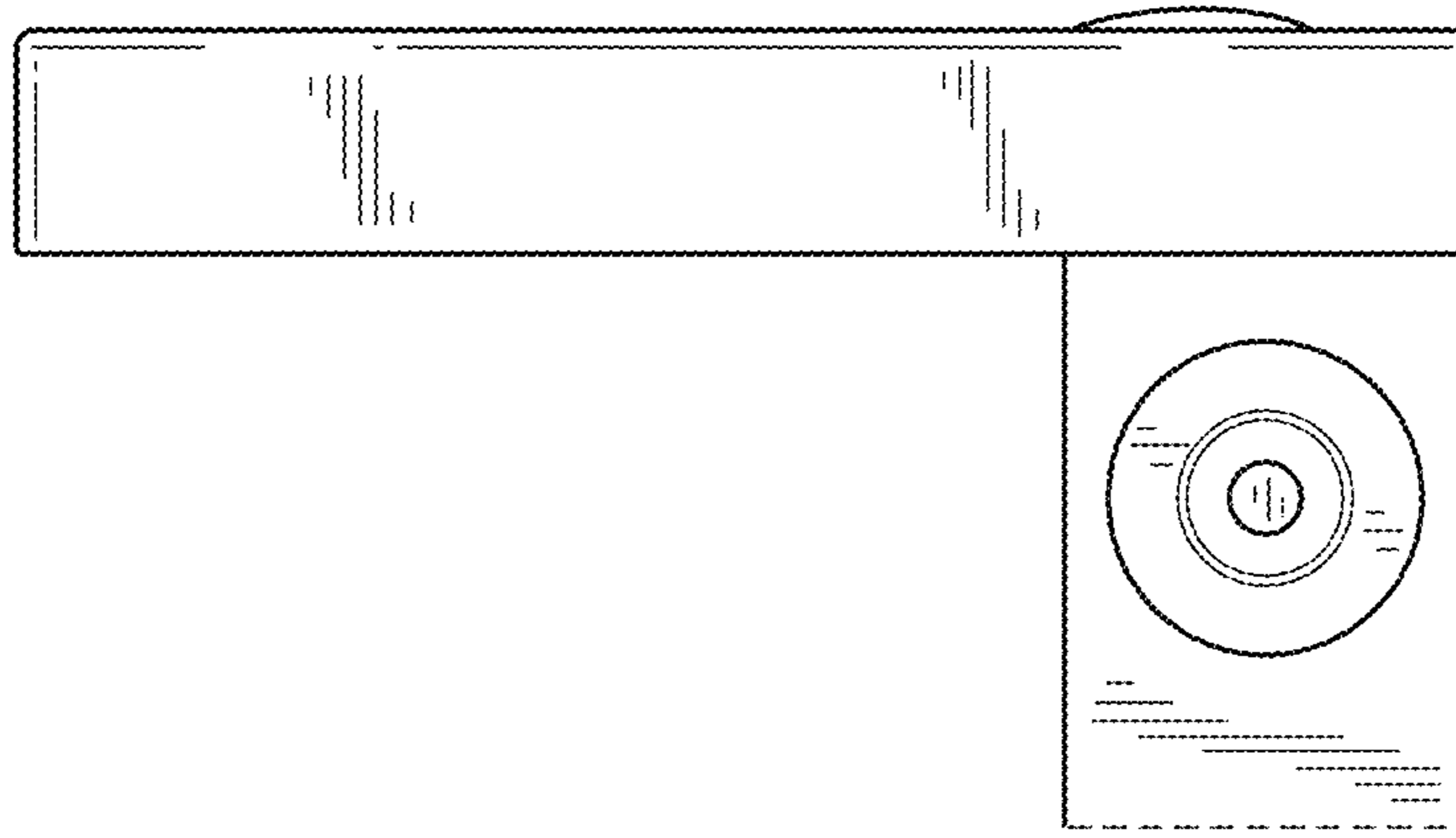


FIG. 11

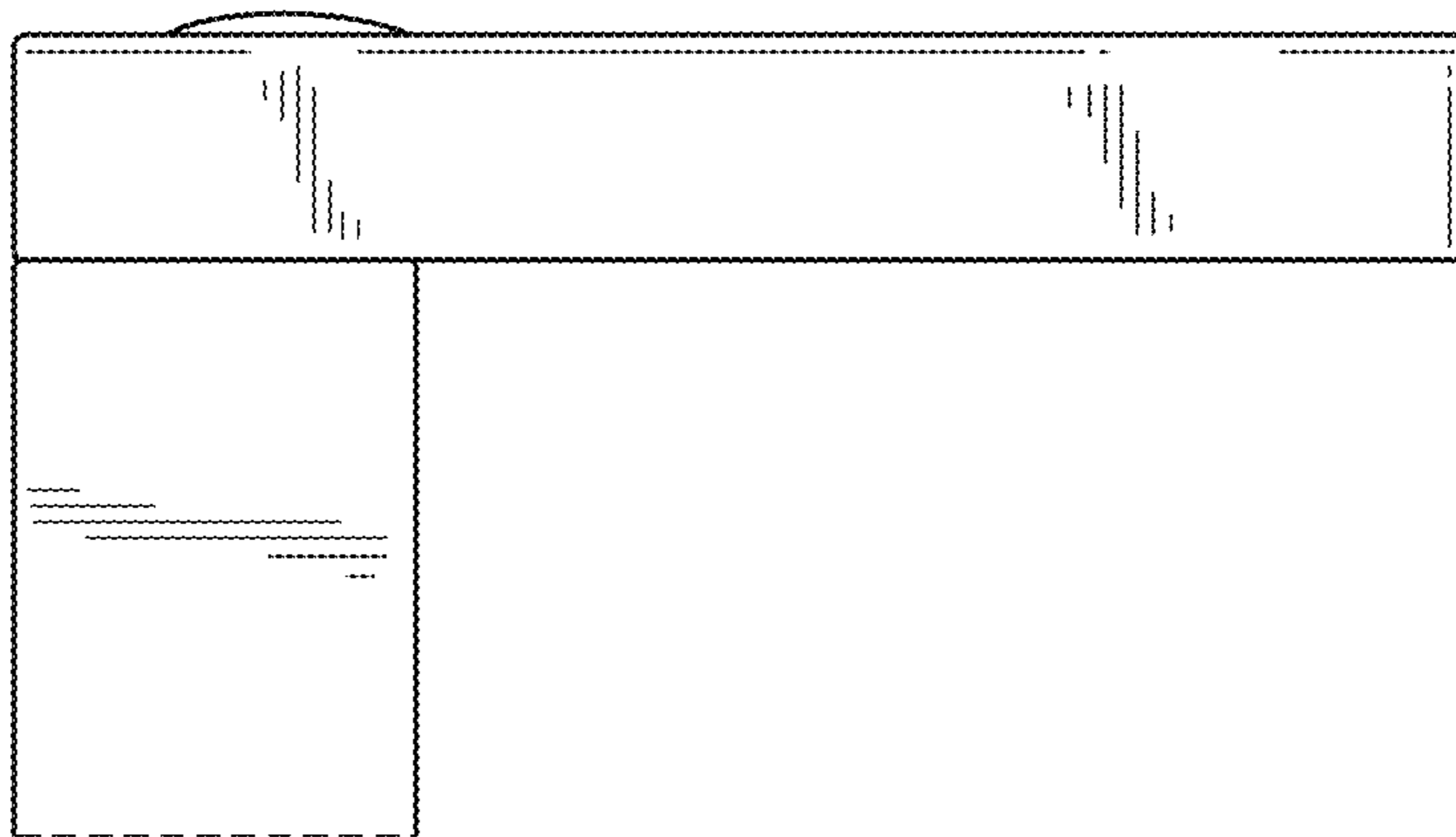


FIG. 12

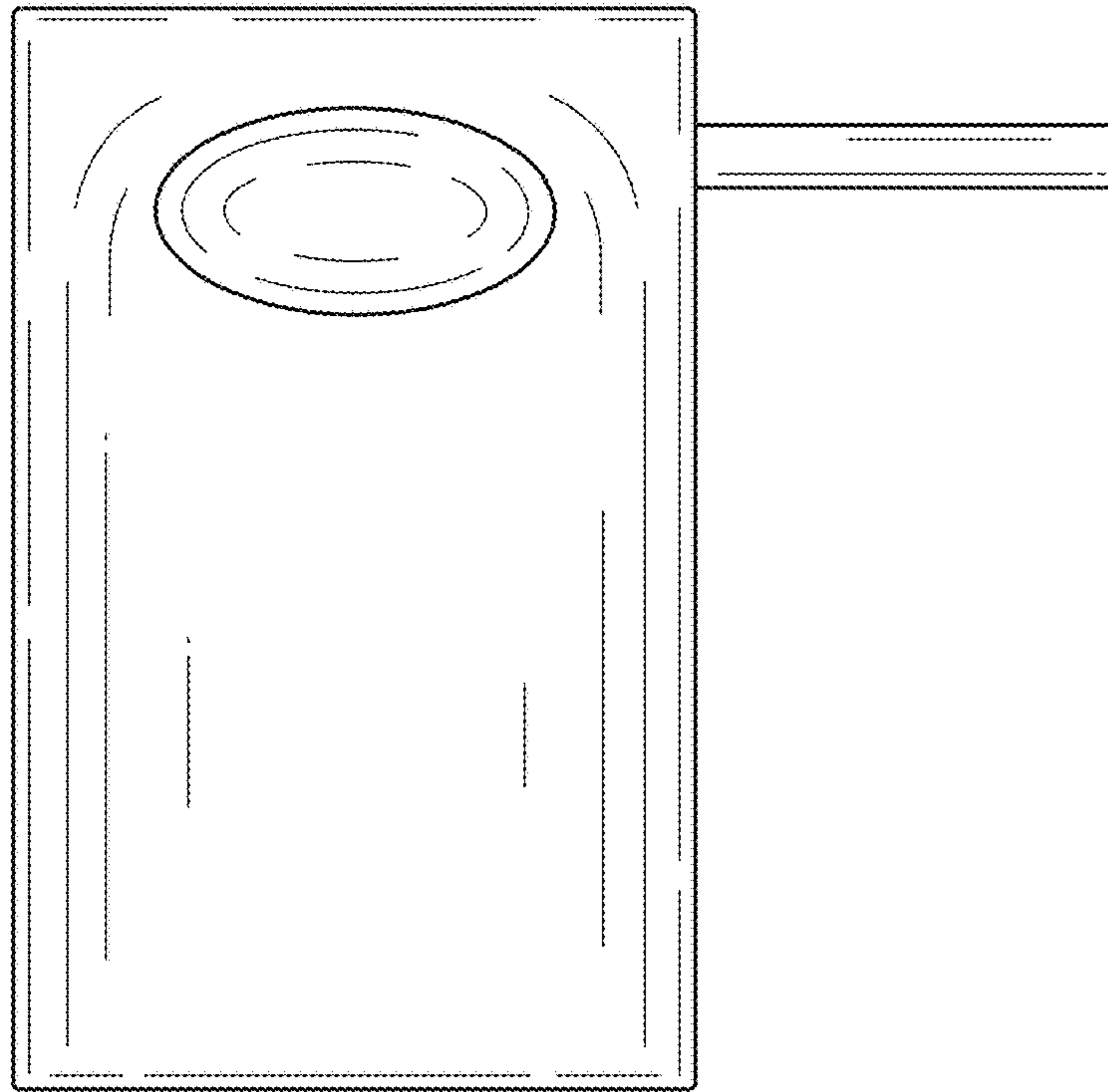


FIG. 13

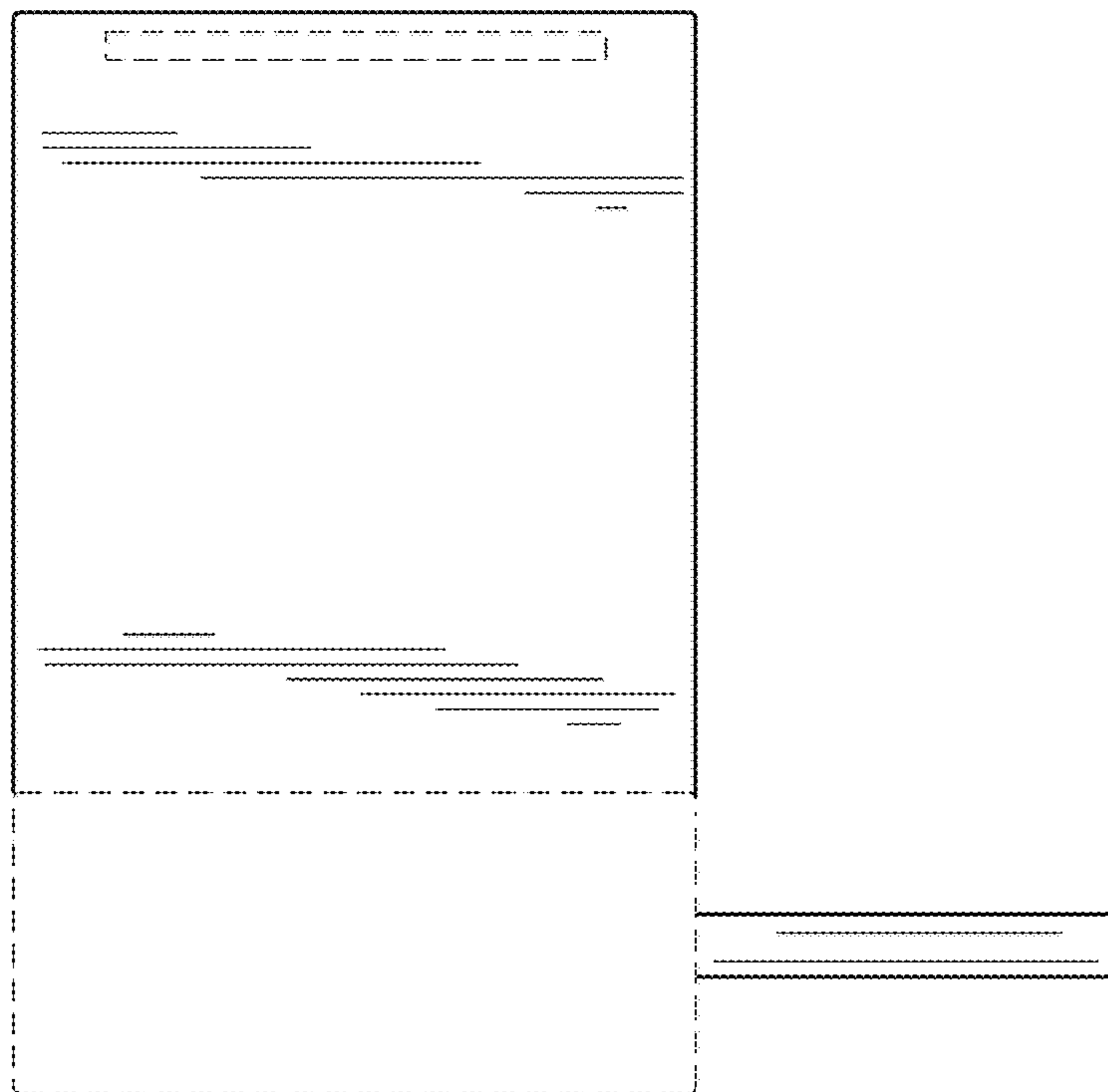


FIG. 14