



US00D833574S

(12) **United States Design Patent**  
**Salsberg**

(10) **Patent No.:** **US D833,574 S**

(45) **Date of Patent:** **\*\* Nov. 13, 2018**

(54) **LAWN SPRINKLER CONTROL UNIT**

D507,818 S \* 7/2005 Wu ..... A01G 25/167  
D23/214

(71) Applicant: **Paul Salsberg**, Toronto (CA)

8,981,946 B2 \* 3/2015 Runge ..... A01G 25/167  
137/78.2

(72) Inventor: **Paul Salsberg**, Toronto (CA)

D775,312 S \* 12/2016 Boughton ..... A01G 25/167  
D23/214

(\*\*) Term: **15 Years**

\* cited by examiner

(21) Appl. No.: **29/587,605**

*Primary Examiner* — Robin V Webster

(22) Filed: **Dec. 14, 2016**

(74) *Attorney, Agent, or Firm* — Carrie Stroup

(51) **LOC (11) Cl.** ..... **23-01**

(57) **CLAIM**

(52) **U.S. Cl.**

The ornamental design for a lawn sprinkler control unit, as shown and described.

USPC ..... **D23/214**

(58) **Field of Classification Search**

**DESCRIPTION**

USPC ..... D23/214, 217, 221; 239/200, 285, 273,  
239/63, 66, 69

CPC ..... A01G 25/021; B05B 15/622; B05B 15/70

See application file for complete search history.

FIG. 1 is a left front perspective view of a lawn sprinkler control unit showing my new design;

FIG. 2 is a left side view thereof;

FIG. 3 is a back elevation view thereof;

FIG. 4 is a front elevation view thereof;

FIG. 5 is a right side view thereof;

FIG. 6 is a top plan view thereof;

FIG. 7 is a bottom plan view thereof;

FIG. 8 is a top left front perspective view thereof;

FIG. 9 is a bottom left front perspective view thereof;

FIG. 10 is a top left back perspective view thereof; and,

FIG. 11 is a bottom left back perspective view thereof.

The broken lines in FIG. 1, depicting ends of a lawn hose and the ground that the unit is inserted into, represent environmental elements only and form no part of the claimed design.

(56) **References Cited**

**U.S. PATENT DOCUMENTS**

3,006,558 A \* 10/1961 Jacobs ..... B05B 3/0486  
239/222.17

4,114,647 A \* 9/1978 Sturman ..... A01G 25/167  
137/624.2

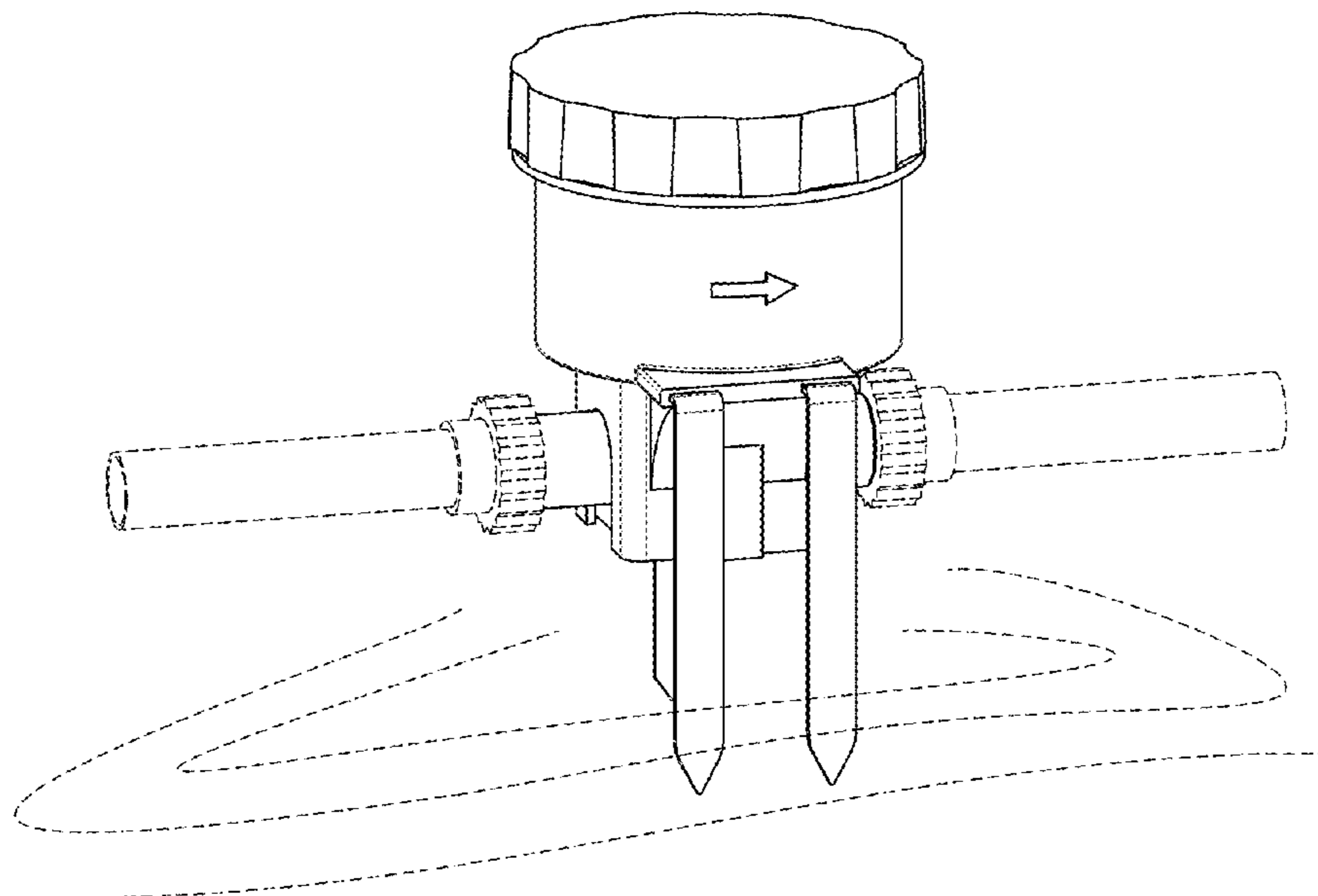
4,214,701 A \* 7/1980 Beckmann ..... A01G 25/02  
239/63

5,839,660 A \* 11/1998 Morgenstern ..... A01G 25/16  
239/63

6,622,933 B1 \* 9/2003 Young ..... A01G 25/02  
137/624.14

6,827,298 B2 \* 12/2004 Sacks ..... A01G 25/02  
239/542

**1 Claim, 11 Drawing Sheets**



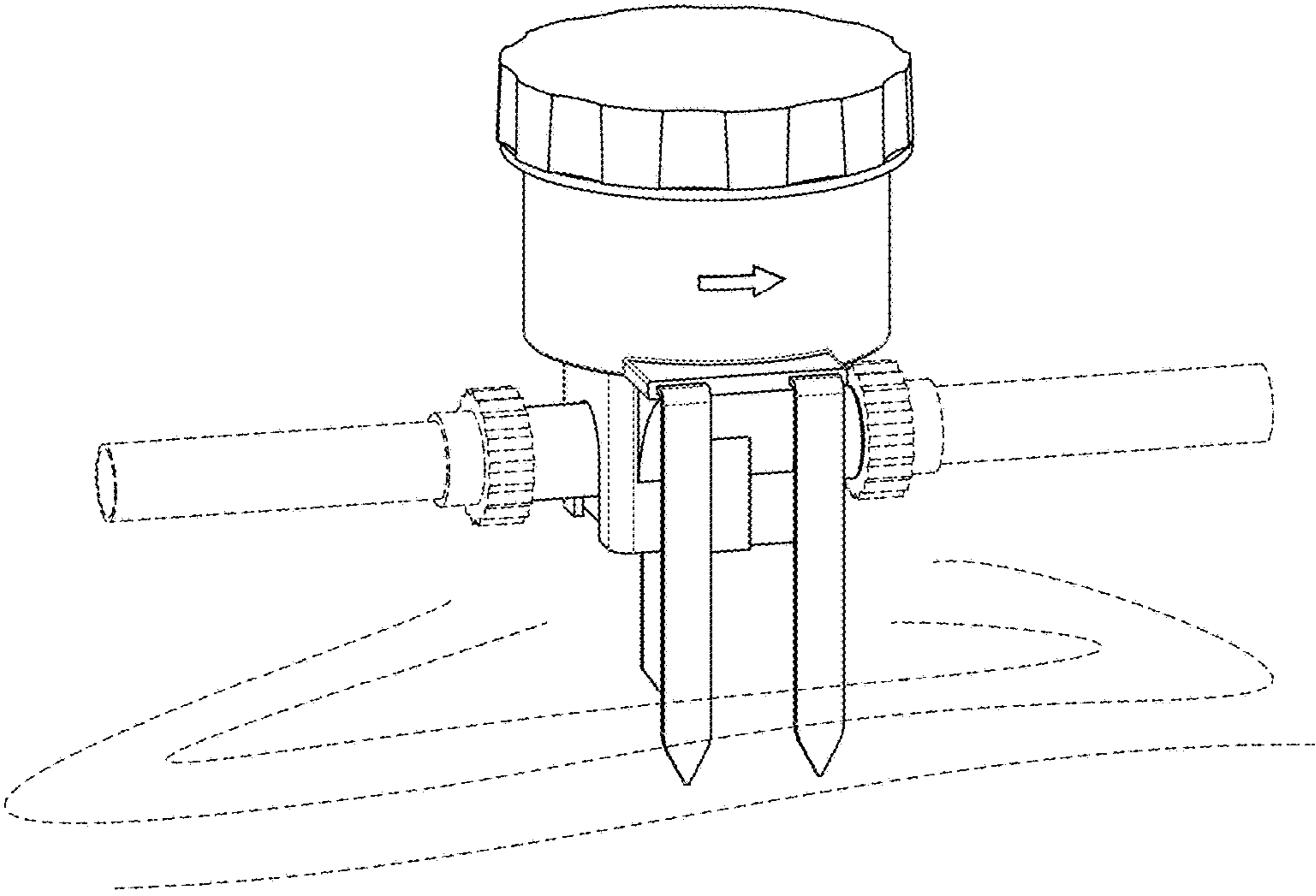


FIG. 1

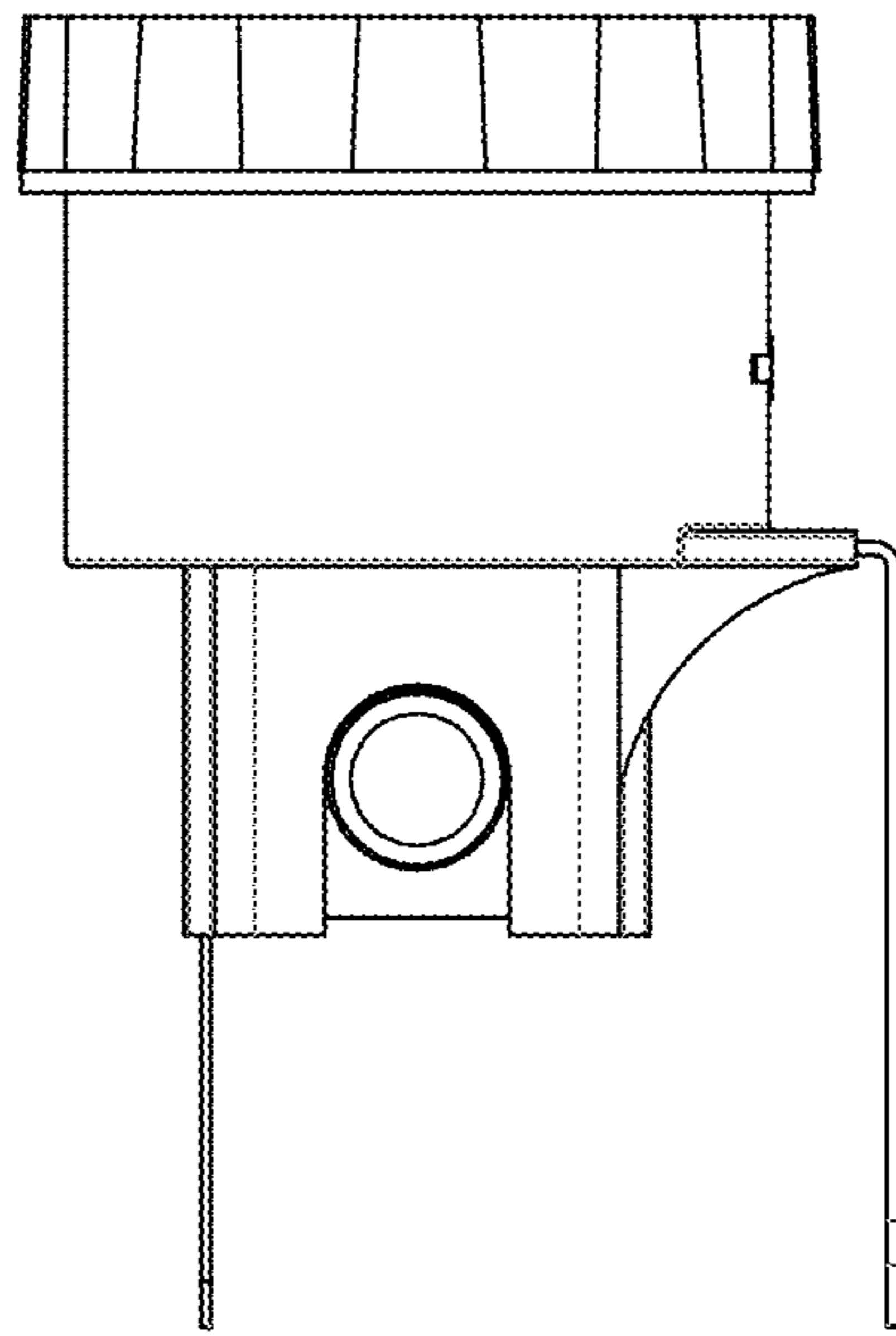


FIG. 2

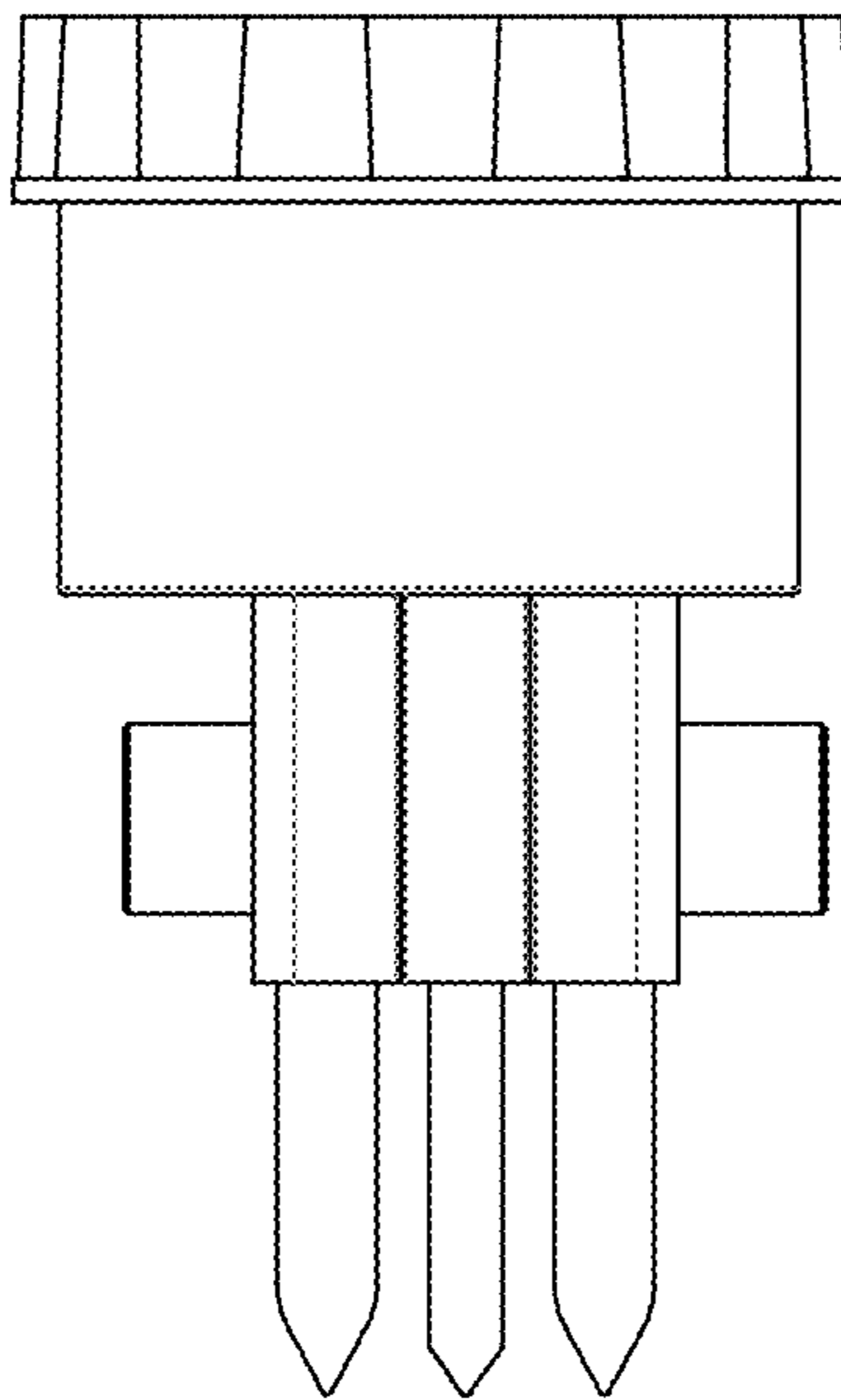


FIG. 3

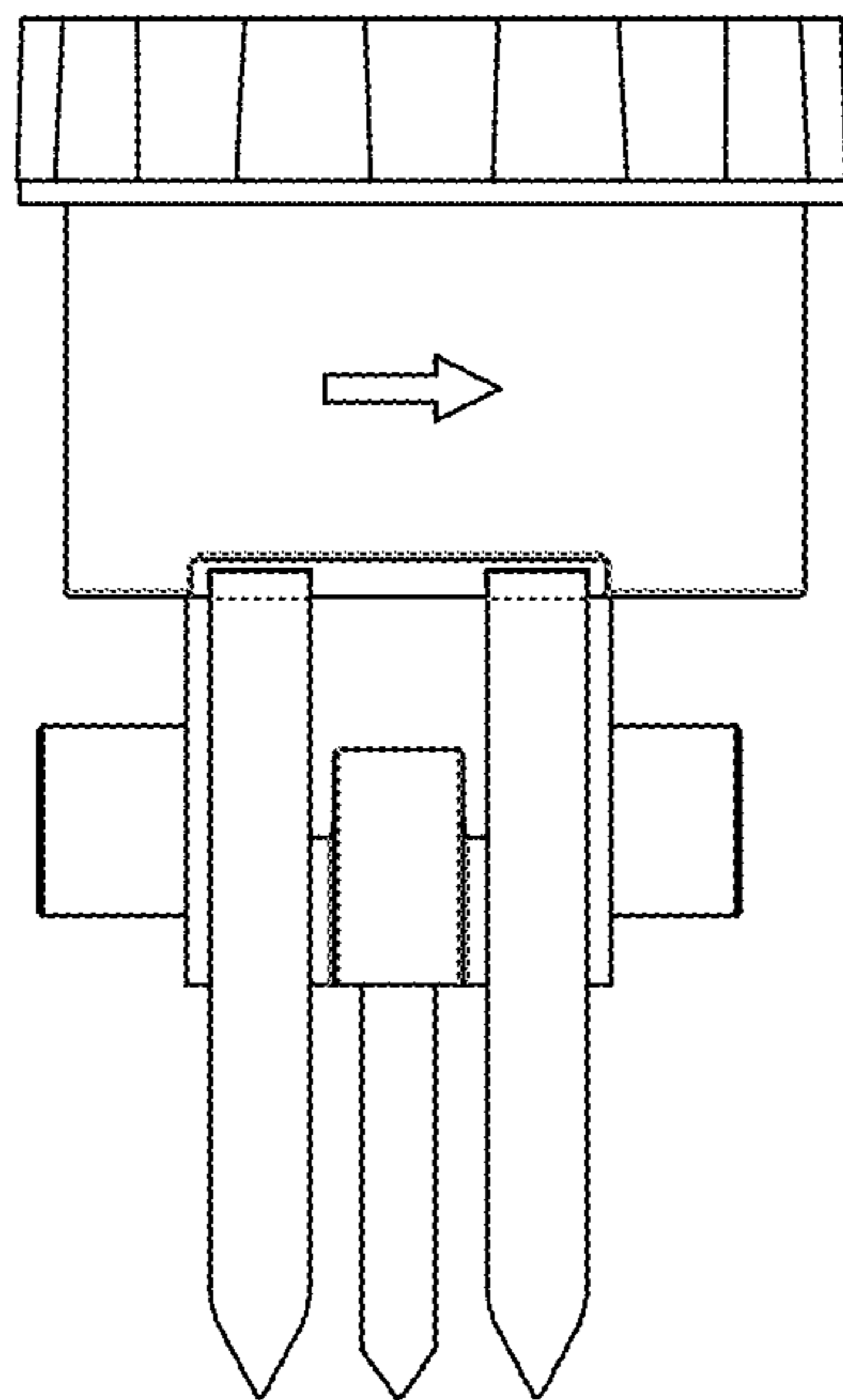


FIG. 4

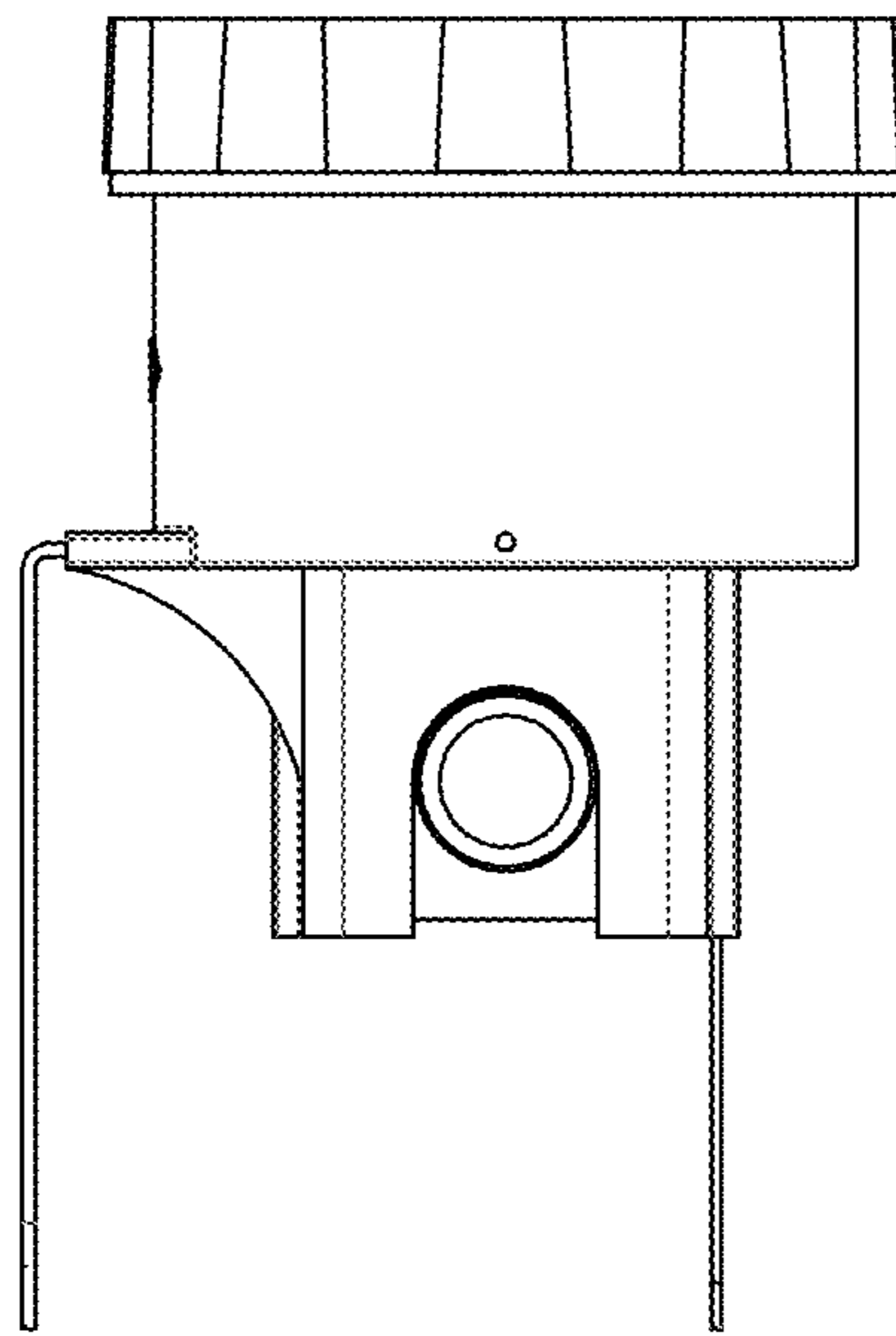


FIG. 5

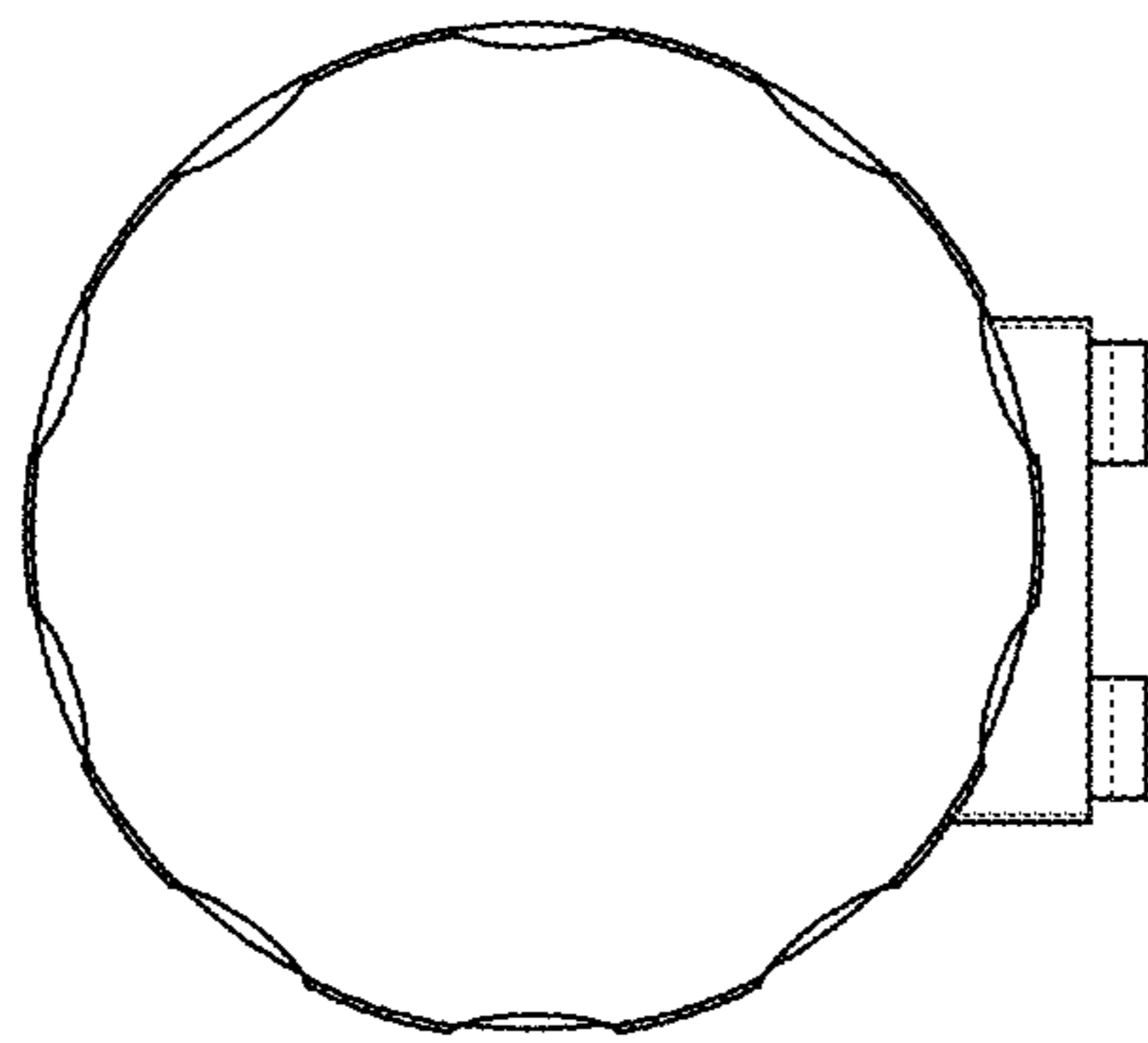


FIG. 6

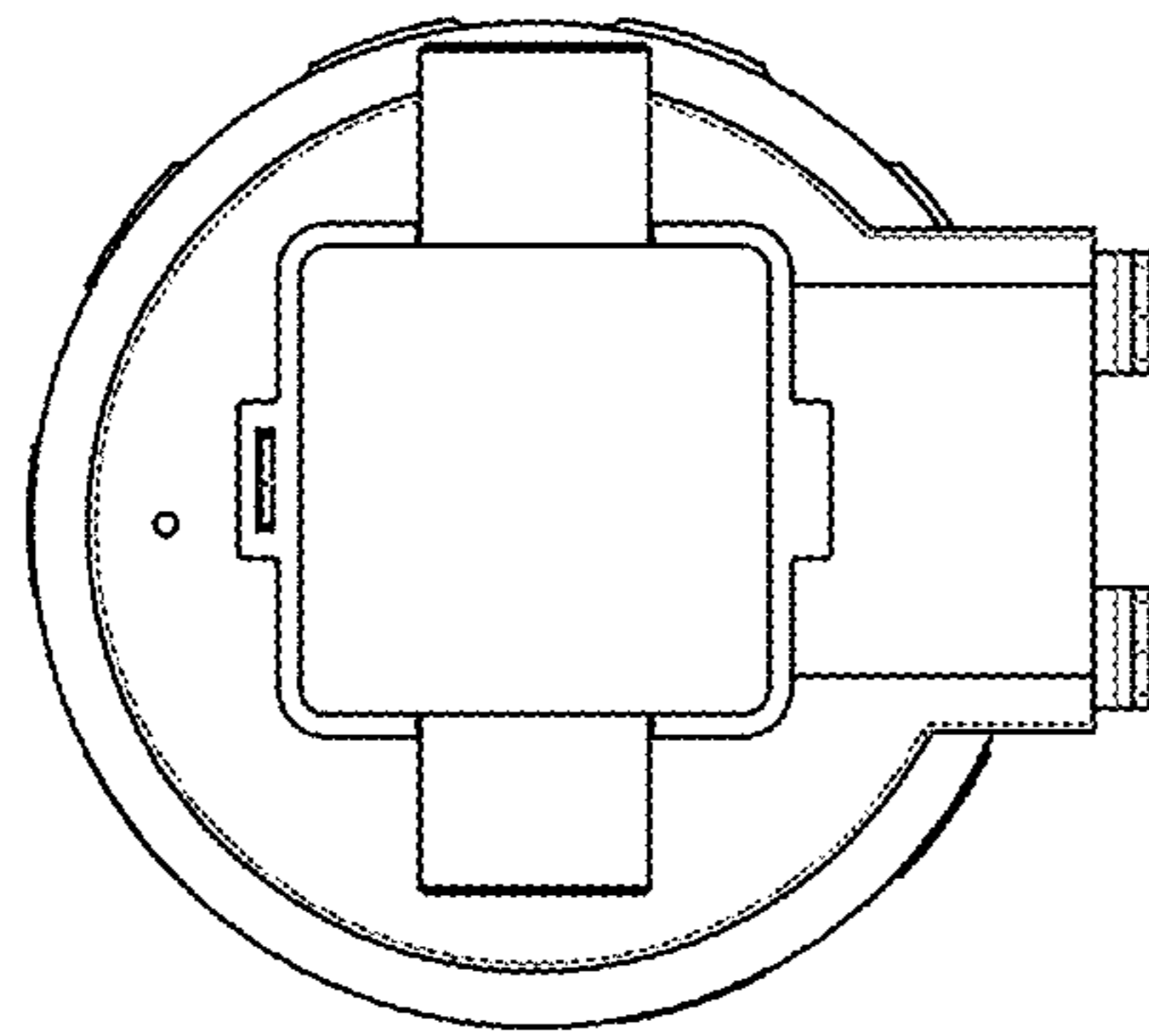


FIG. 7



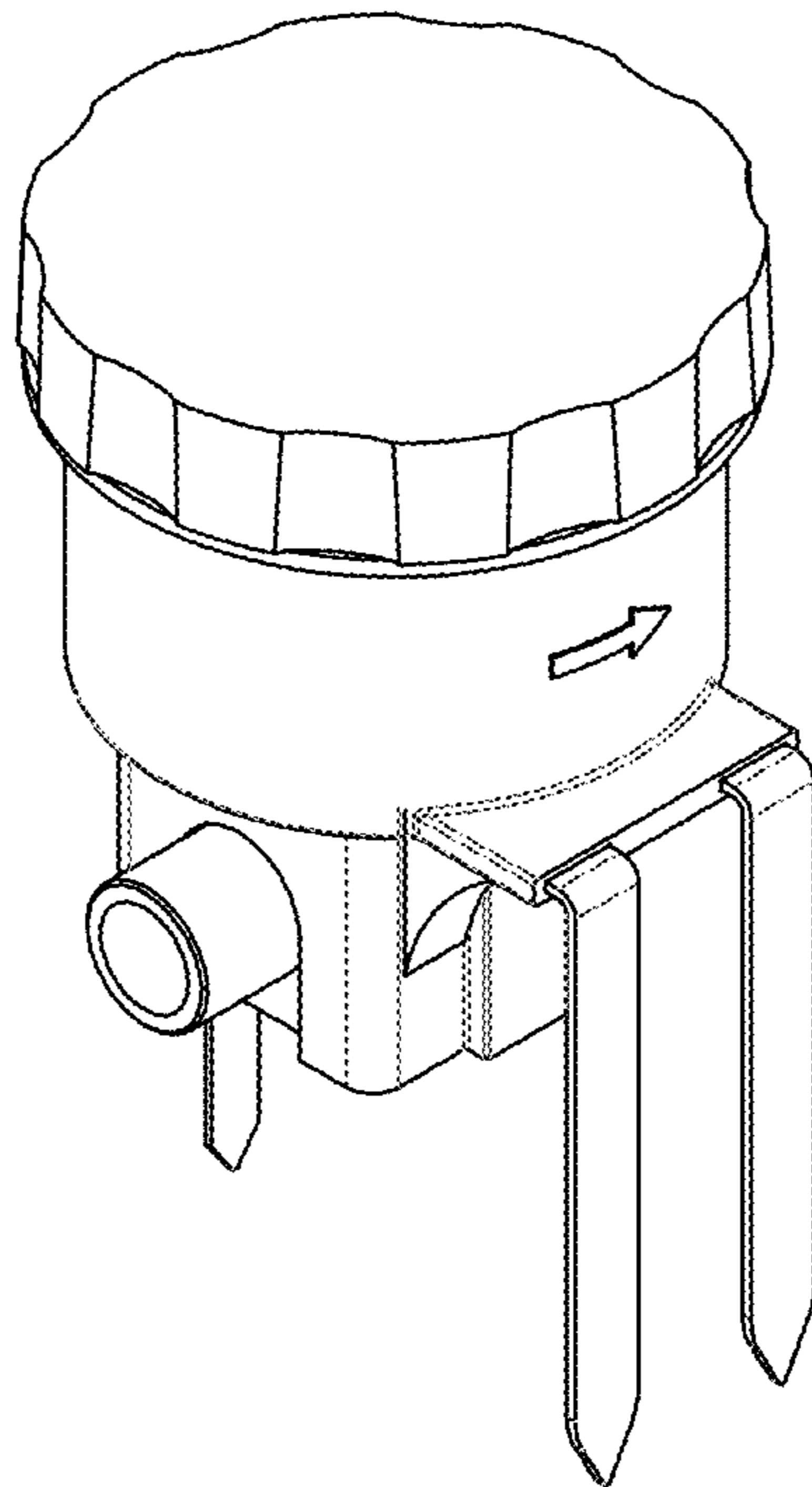


FIG. 8

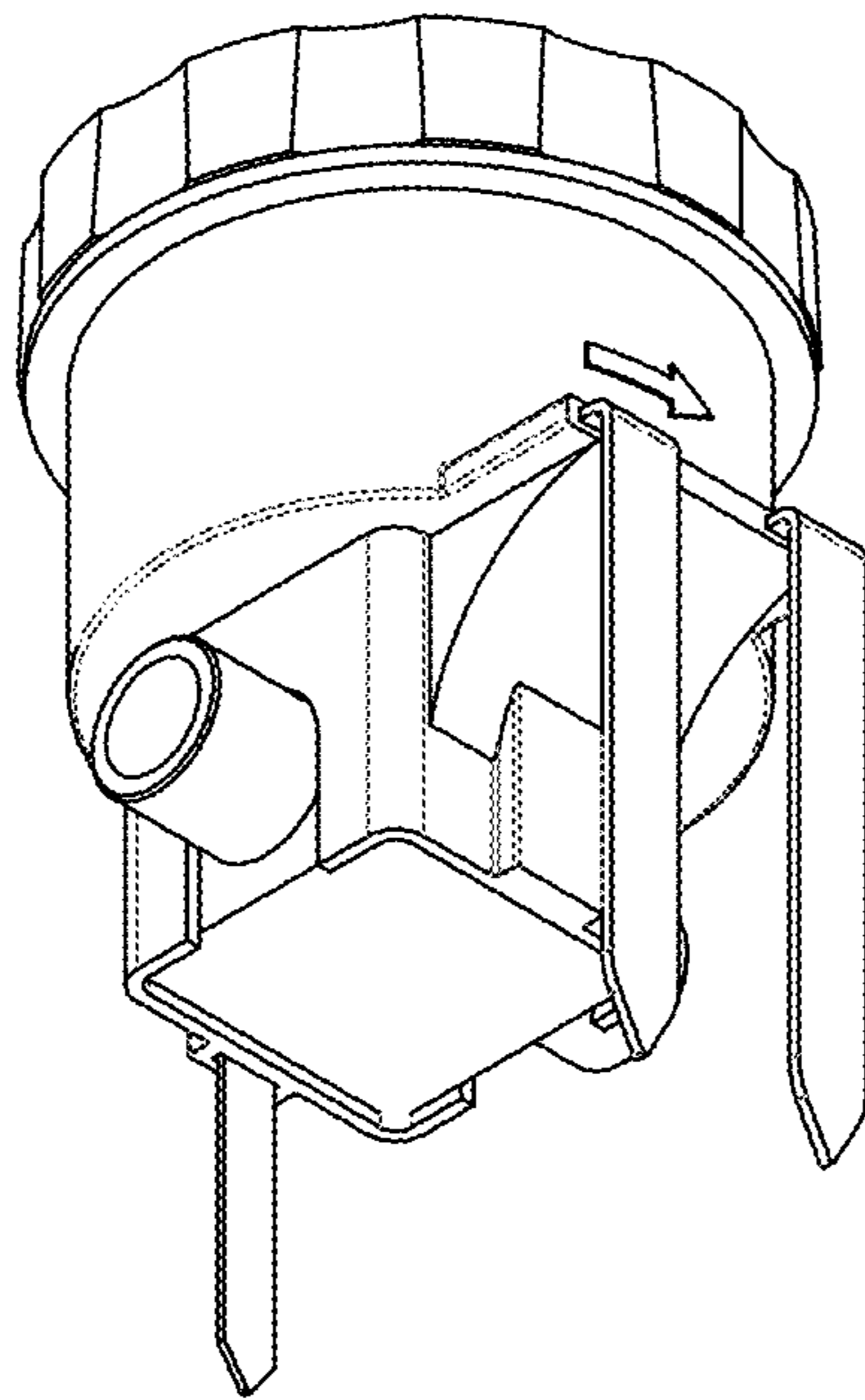


FIG. 9

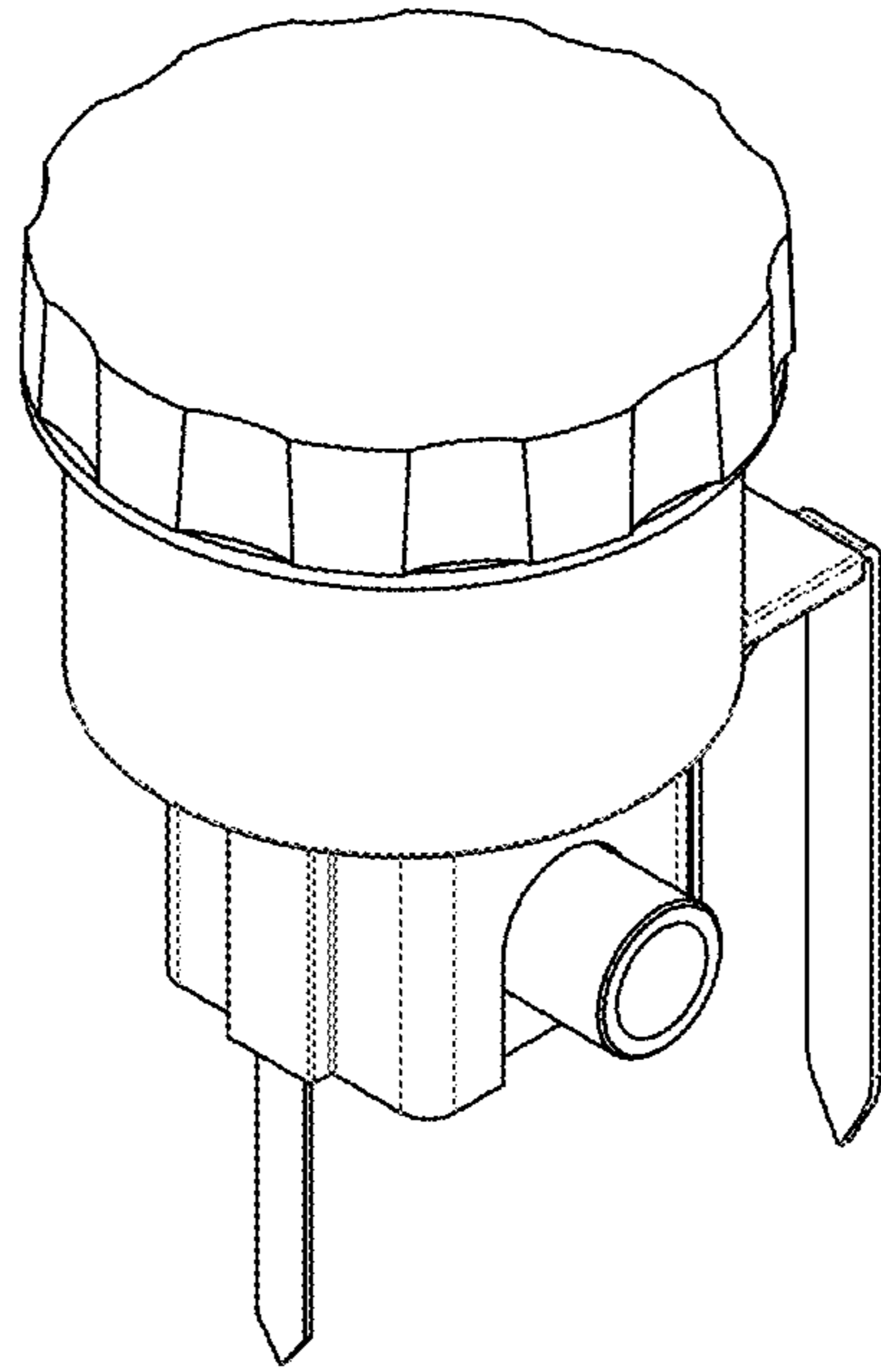


FIG. 10

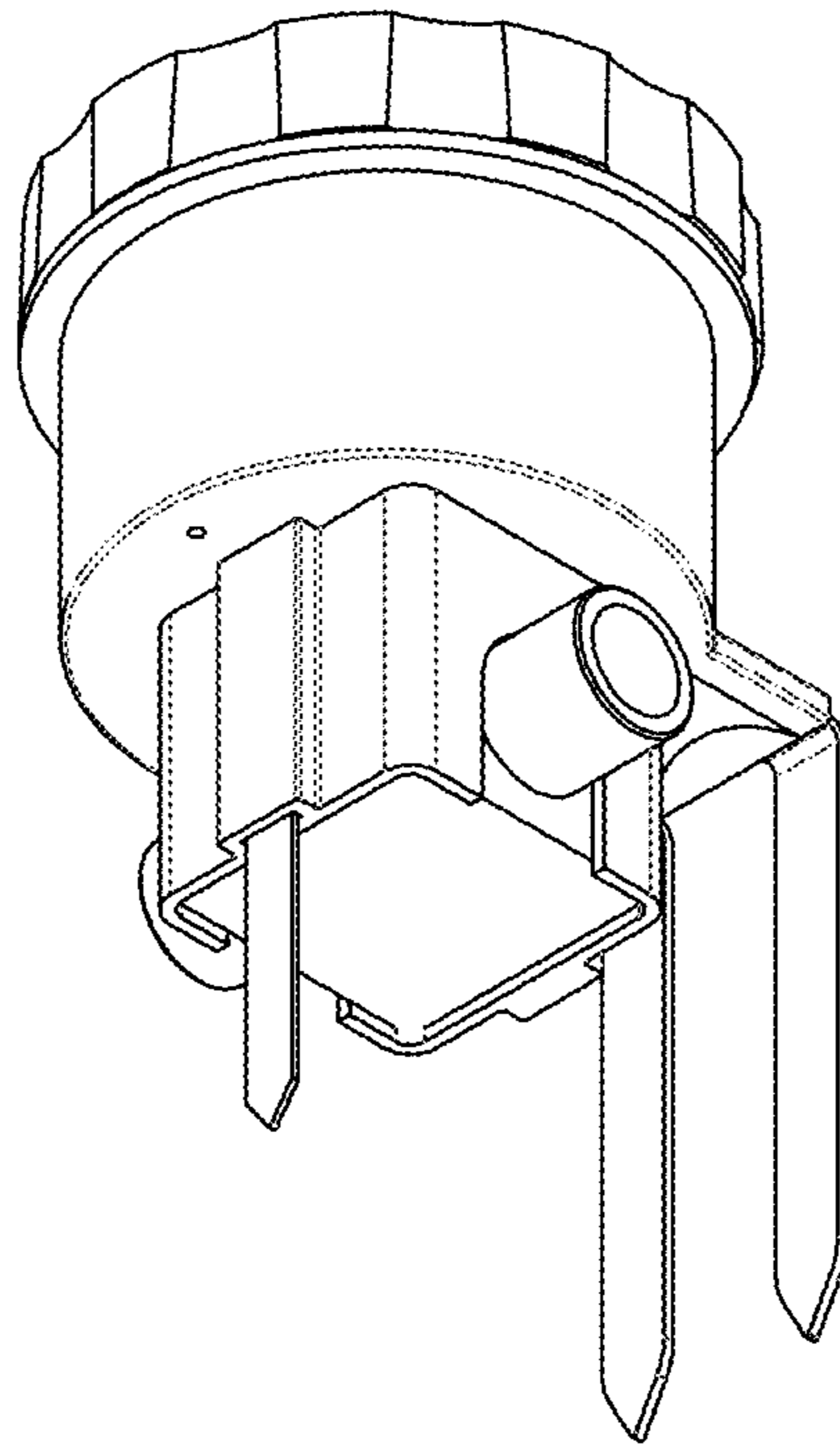


FIG. 11